

Disassembly of Waste Electrical and Electronic Equipment (WEEE) Manual

EU Waste Electronic and Electrical Equipment Directive require producers to provide information of the different electronic and electrical materials and components found in their products at its end-of-life, and disassembly references to treatment and recycling facilities.

The disassembly information for this product has been prepared for use by a recognized treatment or recycling facility and is not intended to be used by others.

1. Product information
2. Materials and components list for selective treatment
3. Disassembly tools
4. Disassembly references

The following information is intended only for the use of treatment and recycling facilities.

All disassembly instructions should be performed with the power switch in the OFF position. Disconnect the power cord from the wall outlet and from the printer before continuing. If there are any other devices attached to the printer, then turn them off as well, and unplug any cables going into the printer.

1. Product information

Model name(s)—Indicate all model name(s) within the product family

Model name
Lexmark C792 series – Lexmark C792e, Lexmark C792de (Lexmark CS796de), Lexmark C792dte, Lexmark C792dhe

* Add rows as needed

2. Materials and components list for selective treatment

Items	Quantity	Notes
Polychlorinated biphenyls (PCB) containing capacitors	0	N/A
Mercury containing components, such as switches or backlighting lamps	0	N/A
Batteries	1	Lithium Manganese Dioxide coin cell located on the system controller card
Printed circuit boards greater than 10 cm ²	9	For Lexmark C792dhe (locations illustrated in 4.2) – 8 for Lexmark C792dte – 7 for Lexmark C792e, Lexmark C792de
Toner cartridges, liquid and pasty, as well as colour toner	4 Toner cartridge; 1 Waste toner bottle	Toner cartridges located inside Front cover Waste toner located below toner cartridges

Plastic containing brominated flame retardants	4 Fans; 32 Sensors; 0 Fuser parts	Fan(s) and Sensors (locations illustrated in 4.2)
Asbestos waste and components which contain asbestos	0	N/A
Cathode ray tubes	0	N/A
Chlorofluorocarbons (CFC), Hydrochlorofluorocarbons (HCFC) or Hydrofluorocarbons (HFC), Hydrocarbons (HC)	0	N/A
Gas discharge lamps	0	N/A
Liquid Crystal Display (LCD) greater than 100 cm ² and those back-lighted with Gas discharge lamps	0	N/A
External electrical cables	1	Power cord located on the back lower left quadrant
Components containing refractory fibres	0	N/A
Components containing radioactive substances	0	N/A
Electrolyte capacitors containing substances of concern ¹	1	Capacitor(s) located on Power Supply (locations illustrated in 4.2)
¹ With (height > 25 mm, diameter > 25 mm or proportionately similar volume)		

3. Disassembly tools

Item Description
#2 Phillips screwdriver, magnetic
Wire cutter
E-clip puller or small flat-head screwdriver
Standard slotted head screwdriver

4. Disassembly references

4.1. Removal procedure(s)



C792 WEEE removal

WEEE materials and components removal procedures are available upon request.

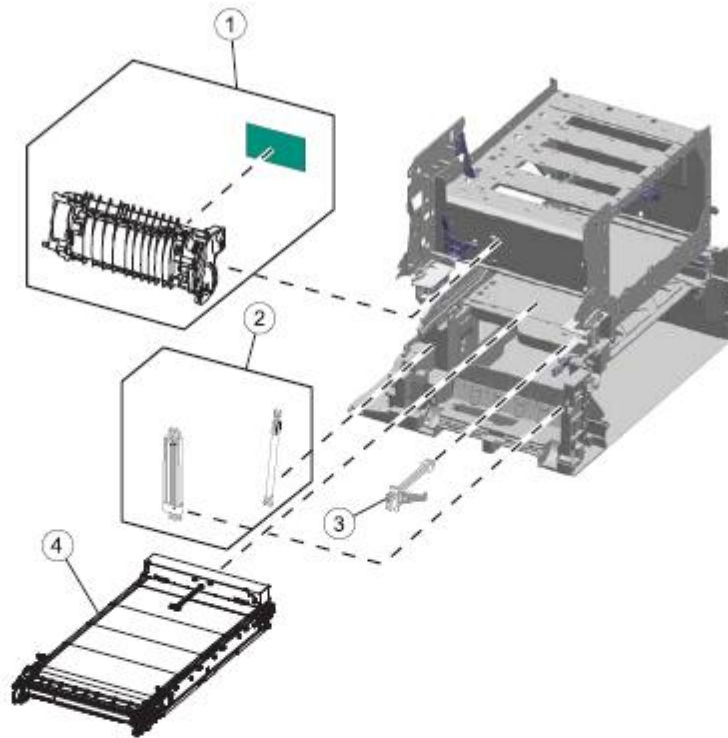
Contact: recycling@lexmark.com

4.2. Graphical illustration of material's and component's location

See next page

C792 Series Locations

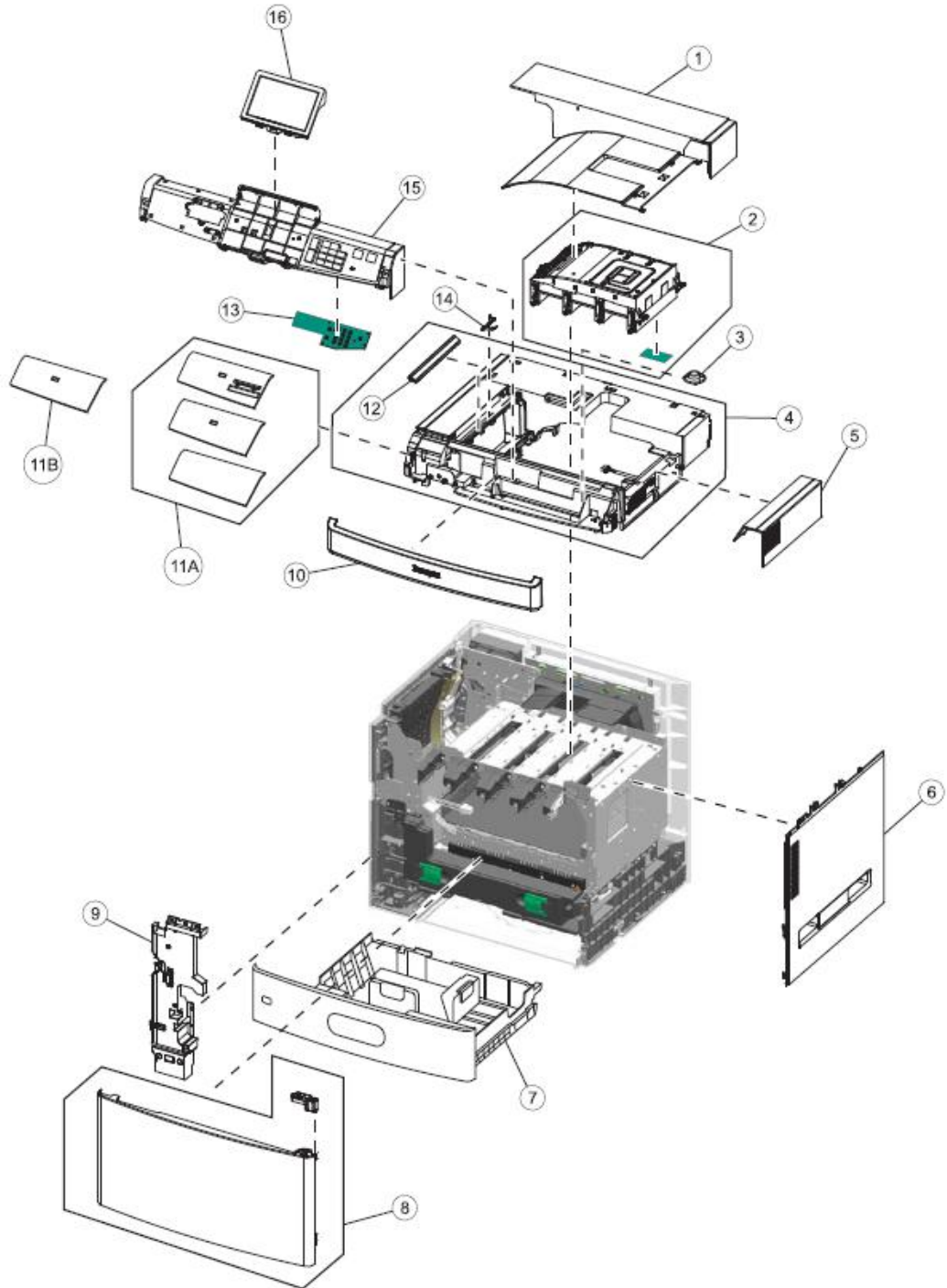
Left



Index	Description
1	Fuser assembly, 115 V
	Fuser assembly, 220 V
	Fuser assembly, 100 V
2	Left access door pistons parts packet, including <ul style="list-style-type: none"> • Piston clip pin • Left door spring support • Piston housing assembly • Door support anchor pin (3)
3	Fuser system card and LVPS cable with cable ties

C792 Series Locations

Top, right, and front covers

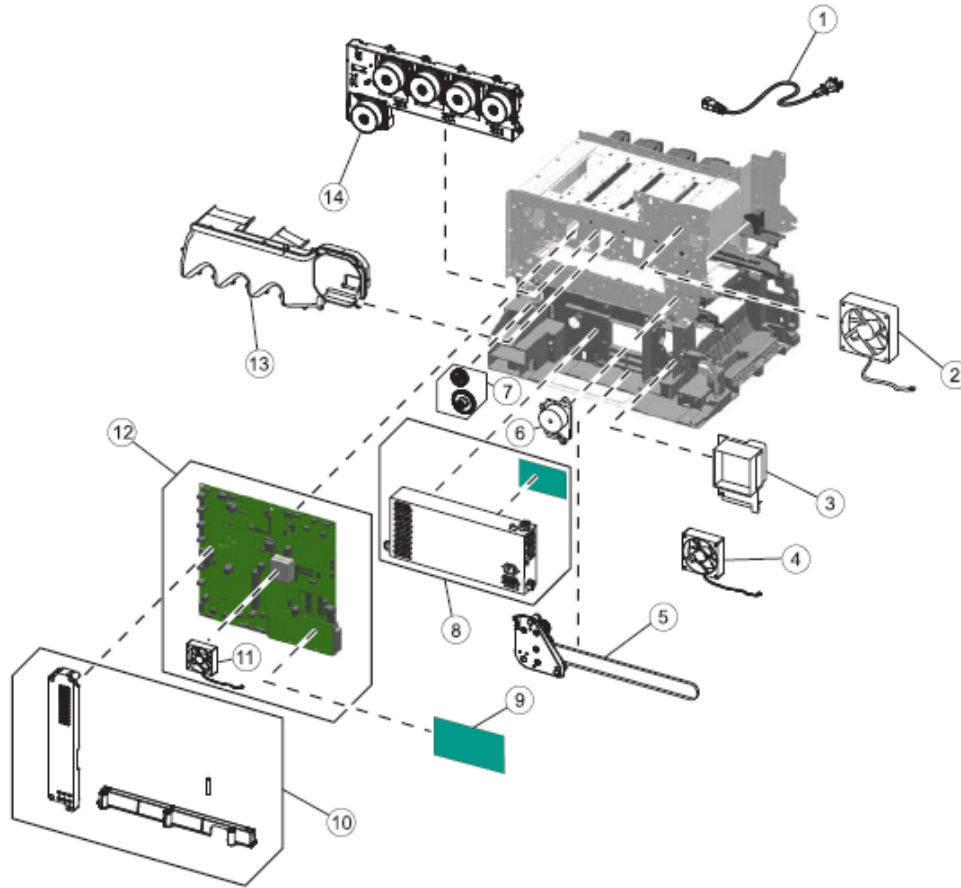


C792 Series Locations

Index	Description
1	Printhead access cover
2	Printhead assembly
3	Speaker
4	Top cover assembly with output option cable
5	Top cap cover
6	Right cover
7	Standard media tray (550-sheet media tray assembly)
8	Front access door and pivot
9	Waste toner left cover with beacon
10	Logo panel
11A	OP panel bezel, 210 (3 bezels): <ul style="list-style-type: none"> • Bezel • Bezel with USB • Bezel with USB and card reader
	OP panel bezel, 230 (3 bezels): <ul style="list-style-type: none"> • Bezel • Bezel with USB • Bezel with USB and card reader
11B	BSD OP panel bezel, 235 (1 bezel): <ul style="list-style-type: none"> • Bezel with USB
12	ESD bracket
13	OP panel UICC card
14	Bin-full flag
15	OP panel cover assembly with buttons
16	OP panel display: 4.3 LCD touch screen

C792 Series Locations

Rear

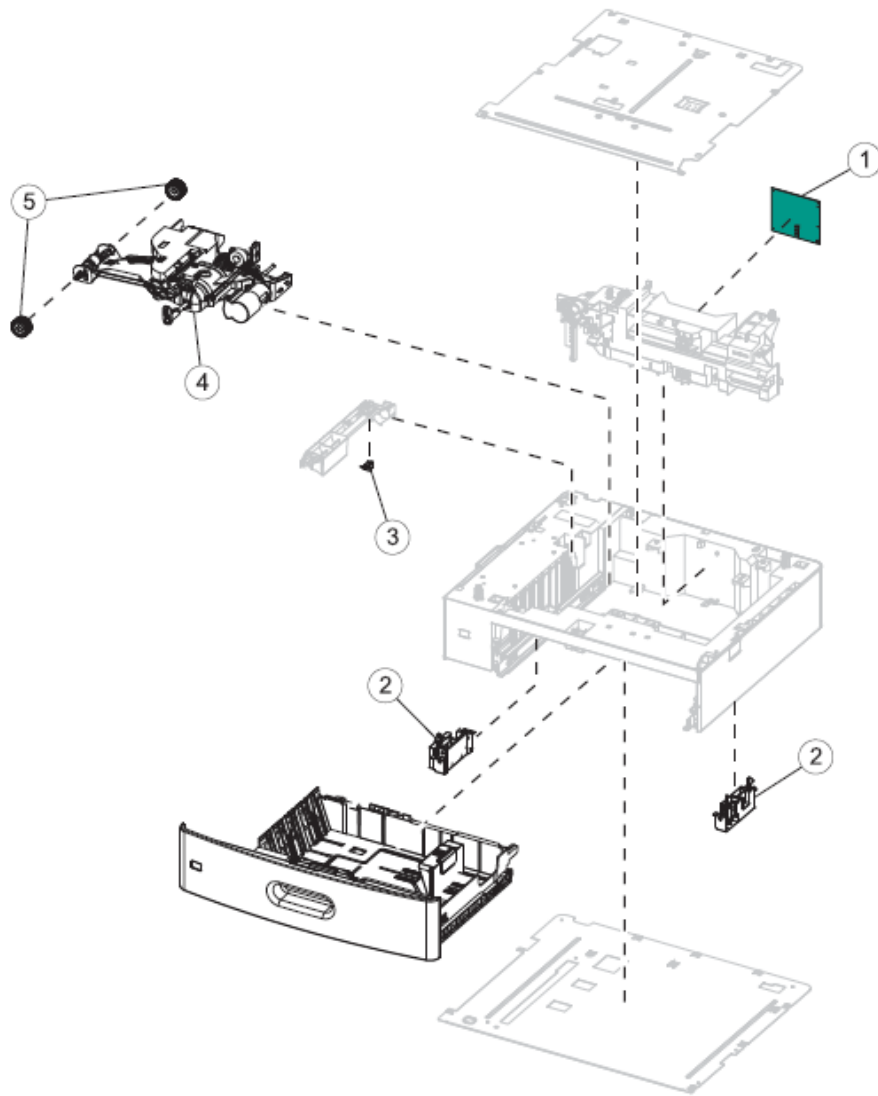


Index	Description
1	Power cord
2	Main fan
3	LVPS exit duct
4	LVPS fan
5	MPF drive assembly
6	Fuser drive assembly, including
7	Waste toner gears parts packet
8	Low-voltage power supply (LVPS) with thermistor retainer

Index	Description
9	Hard disk/fax card
10	System board and HVPS card parts packet
11	CPU cooling fan
12	System board
13	Exit cooling duct assembly
14	EP drive assembly

C792 Series Locations

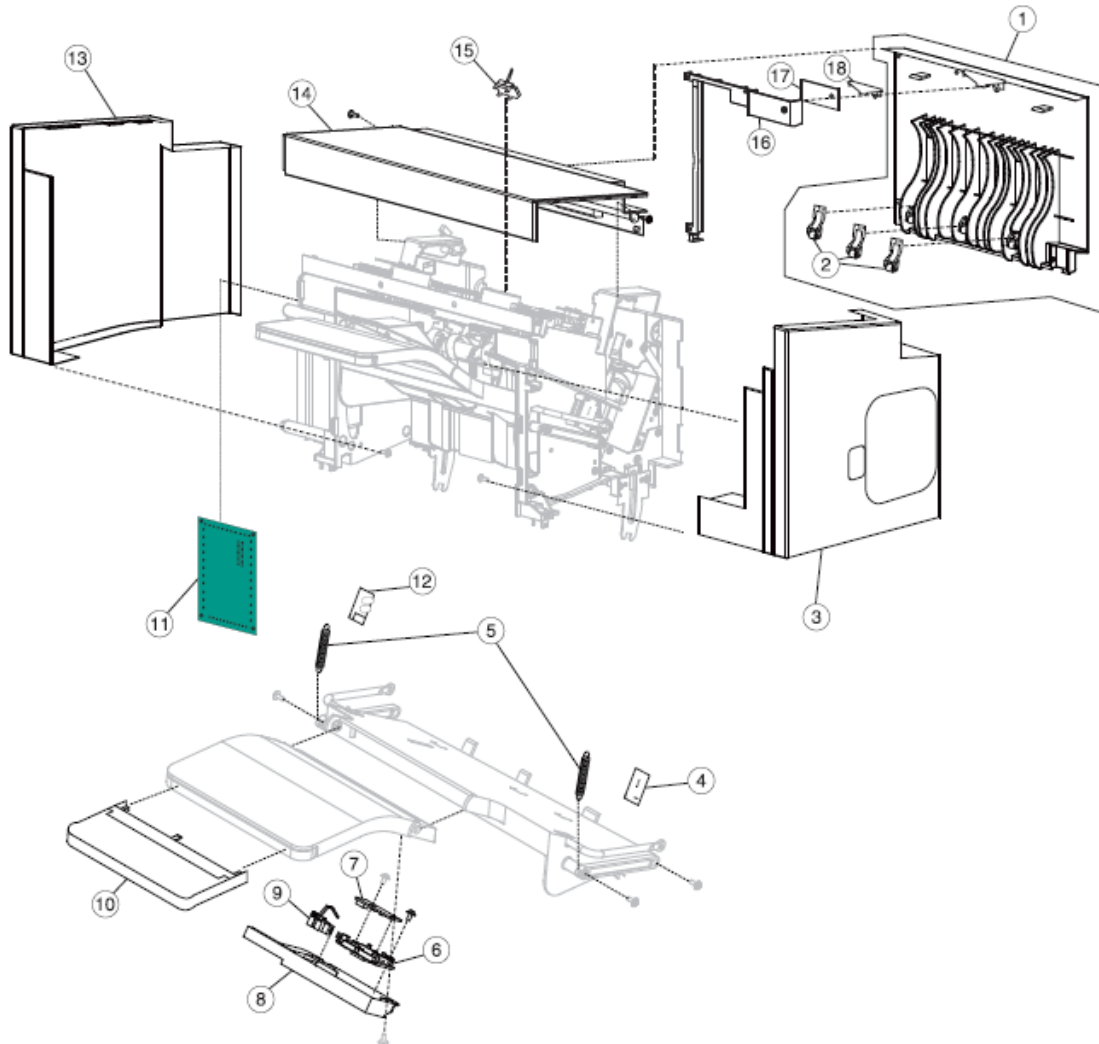
Optional 550-sheet drawer assembly



Index	Description
1	550-sheet tray controller card assembly
2	Anti-tip latch assembly
3	550-sheet/2000-sheet input option sensor pack
4	550-sheet tray pick assembly
5	Pick roll assembly

C792 Series Locations

Finisher/high-capacity output stacker assembly

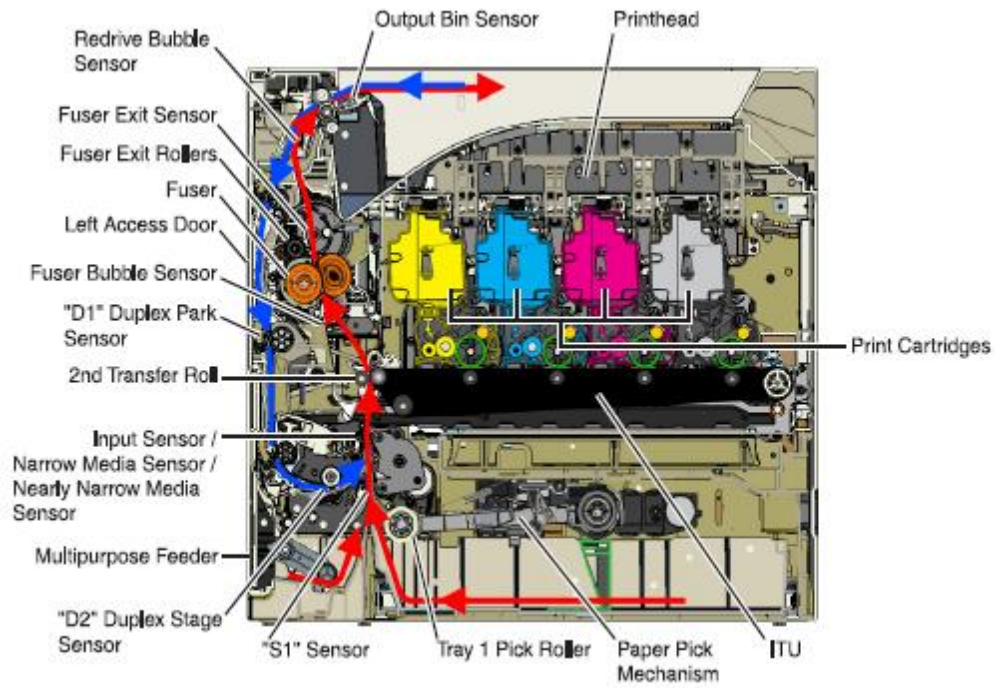


Index	Description
1	Left access door assembly
2	Backup redrive roller
3	Finisher/stacker rear cover
4	Sensor (bin full receive)
5	Finisher bin-full spring
6	LED clear lens
7	Standard output bin LED
8	Bottom cover
9	Sensor (bin media present)

Index	Description
10	Output bin extension
11	Finisher /stacker controller card
12	Sensor (bin full send)
13	Front cover
14	Top cover
15	Finisher sensor (pass thru)/Stacker sensor (pass thru)
16	Beacon housing
17	Left access beacon
18	Beacon clear lens

C792 Series Locations

Sensors



Picture does not show all sensors used by the product