

Disassembly of Waste Electrical and Electronic Equipment (WEEE) Manual

EU Waste Electronic and Electrical Equipment Directive require producers to provide information of the different electronic and electrical materials and components found in their products at its end-of-life, and disassembly references to treatment and recycling facilities.

This document communicates, according to the best of Lexmark's knowledge, the following information that is intended only for the use of treatment and recycling facilities:

1. Product information
2. Materials and components list for selective treatment
3. Disassembly tools
4. Disassembly references

1. Product information

Model name(s)—Indicate all model name(s) within the product family

| Model name |
|--|
| MS910de |
| MX910de Series – MX910de, MX910dxe |
| MX911 Series – MX911de, MX911dte |
| MX912 Series – MX912de, MX912dxe, XM9145, XM9155, XM9165 |

** Add rows as needed*

2. Materials and components list for selective treatment

| Items | Quantity | Notes |
|---|----------|--|
| Polychlorinated biphenyls (PCB) containing capacitors | 0 | N/A |
| Mercury containing components, such as switches or backlighting lamps | 0 | N/A |
| Batteries | 1 | Lithium Manganese Dioxide coin cell – Controller board, (See Page 8) |
| Printed circuit boards greater than 10 cm ² | - | 17 for MX91x 13 for MS91x See Annex B, Page 32 1 for every Option: 2x500-Sheet tray, 3000-Sheet tray, 2500-Sheet tray, SHPF, Booklet maker 2 for Staple Finisher |

| | | |
|---|----|---|
| Toner cartridges, liquid and pasty, as well as colour toner | 2 | 1 Toner cartridge 1 Waste toner bottle |
| Plastic containing brominated flame retardants | 84 | 5 Fans, See Pages 5-9 38 Sensors, See Pages 41 Brominated plastic parts marked with recycle codes "FR17" See Appendix A, Page 24 |
| Asbestos waste and components which contain asbestos | 0 | N/A |
| Cathode ray tubes | 0 | N/A |
| Chlorofluorocarbons (CFC), Hydrochlorofluorocarbons (HCFC) or Hydrofluorocarbons (HFC), Hydrocarbons (HC) | 0 | N/A |
| Gas discharge lamps | 0 | N/A |
| Liquid Crystal Display (LCD) greater than 100 cm ² and those back-lighted with Gas discharge lamps | 1 | 1 Control Panel, See Page 4 |
| External electrical cables | 1 | Power cable – Rear side of the device |
| Components containing refractory fibres | 0 | N/A |
| Components containing radioactive substances | 0 | N/A |
| Electrolyte capacitors containing substances of concern ¹ | 0 | N/A |

¹ With (height > 25 mm, diameter > 25 mm or proportionately similar volume)

3. Disassembly tools

| Item |
|--|
| #2 Phillips screwdriver, magnetic |
| Wire cutter |
| E-clip puller or a small flat-head screwdriver |

4. Disassembly references

4.1. Removal Procedures



MS91x and MX91x Series WEEE removal

WEEE materials and components removal procedures are available upon request.

Contact: recycling@lexmark.com

4.2. Graphical illustration of material's and component's location

See next page

**MS91x and MX91x SERIES
Location**

Toner cartridge bottle (Top front door)

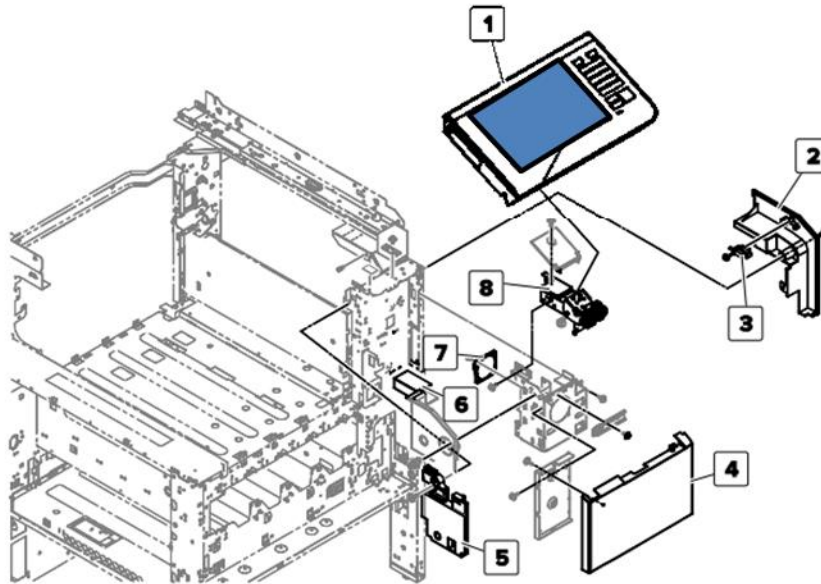


Waste toner bottle (Bottom front door)



**MS91x and MX91x SERIES
Location**

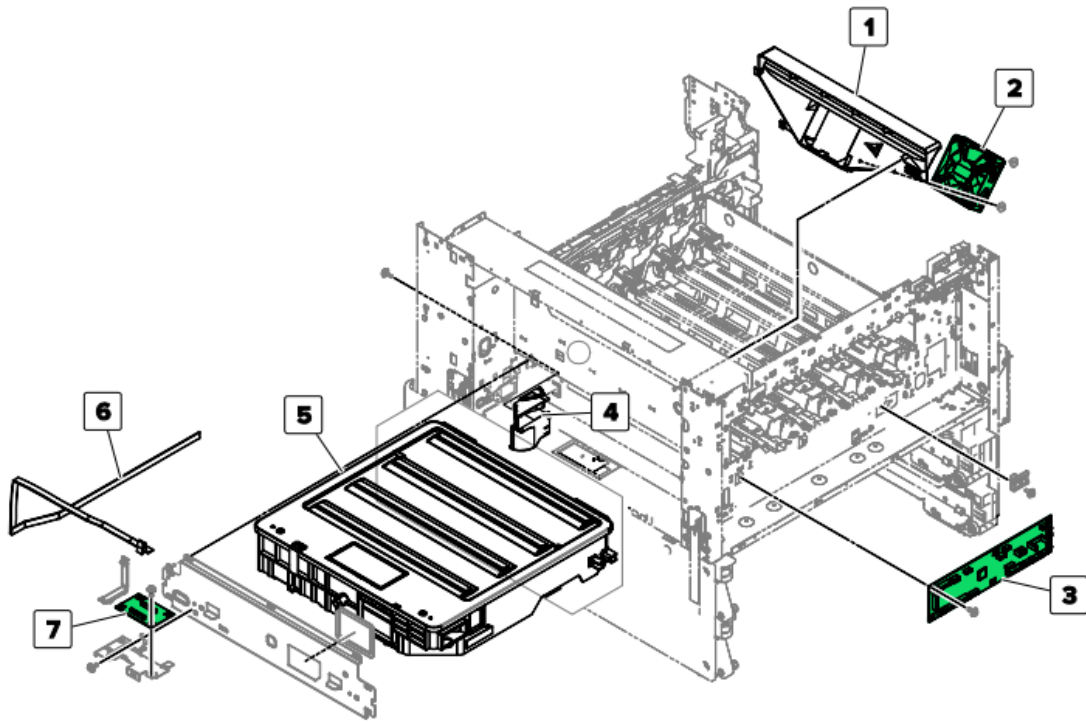
Op Panel



| Index | Description |
|-------|---------------------------------------|
| 1 | Control panel |
| 2 | USB port cover |
| 3 | USB extension cover |
| 4 | Speaker cover |
| 5 | Control panel cable guide lower cover |
| 6 | Control panel cable guide upper cover |
| 7 | Speaker |
| 8 | Control panel hinge |

MS91x and MX91x SERIES Location

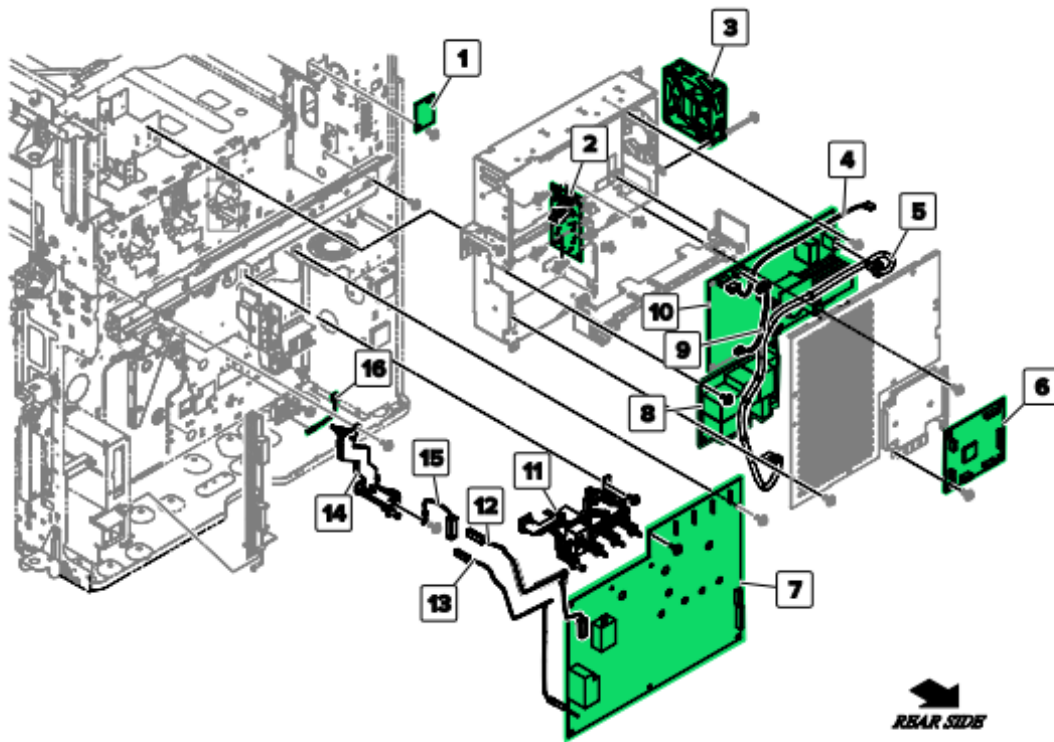
Printhead



| Index | Description |
|-------|------------------------|
| 1 | Transfer belt fan duct |
| 2 | Transfer belt fan |
| 3 | Image controller board |
| 4 | Ozone filter duct |
| 5 | Printhead (MFP) |
| 6 | Printhead FFC |
| 7 | Printhead relay board |

MS91x and MX91x SERIES Location

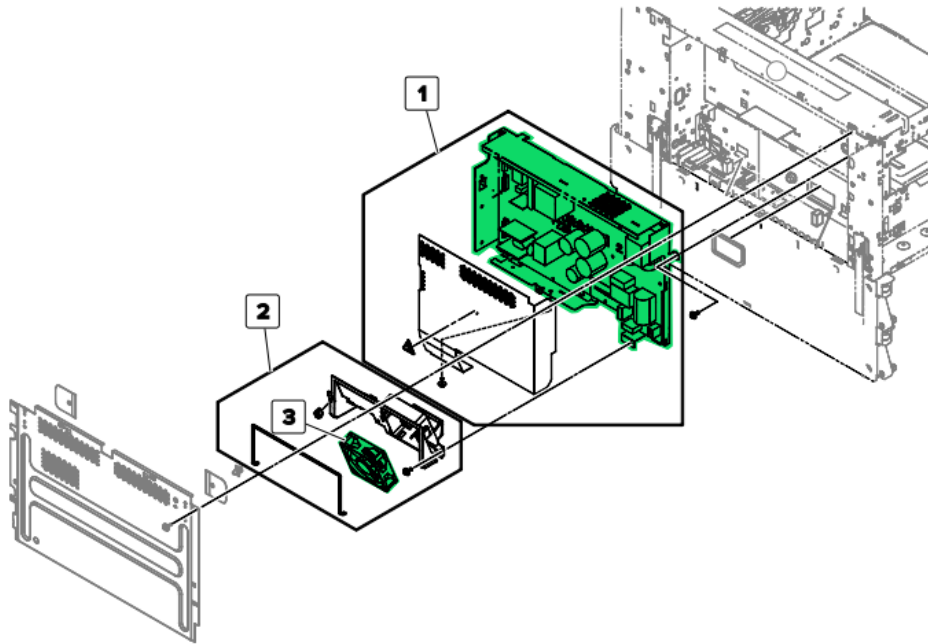
High Voltage



| Index | Description |
|-------|---|
| 1 | Power-saving board |
| 2 | Induction heater magnetic erase board |
| 3 | Fuser power supply fan |
| 4 | Induction heater power supply cable |
| 5 | Noise filter board cable |
| 6 | Expansion controller board |
| 7 | High voltage board |
| 8 | Noise filter board, 100 V |
| 8 | Noise filter board, 230 V |
| 9 | Induction heater magnetic erase board cable |
| 10 | Induction heater power supply, 100 V |
| 10 | Induction heater power supply, 230 V |
| 11 | High voltage developer contact |
| 12 | High voltage transfer cable |
| 13 | High voltage charge cable |
| 14 | High voltage charge contact |
| 15 | High voltage toner charge cable |
| 16 | Sensor (tray 1 and 2 paper temperature) |

MS91x and MX91x SERIES Location

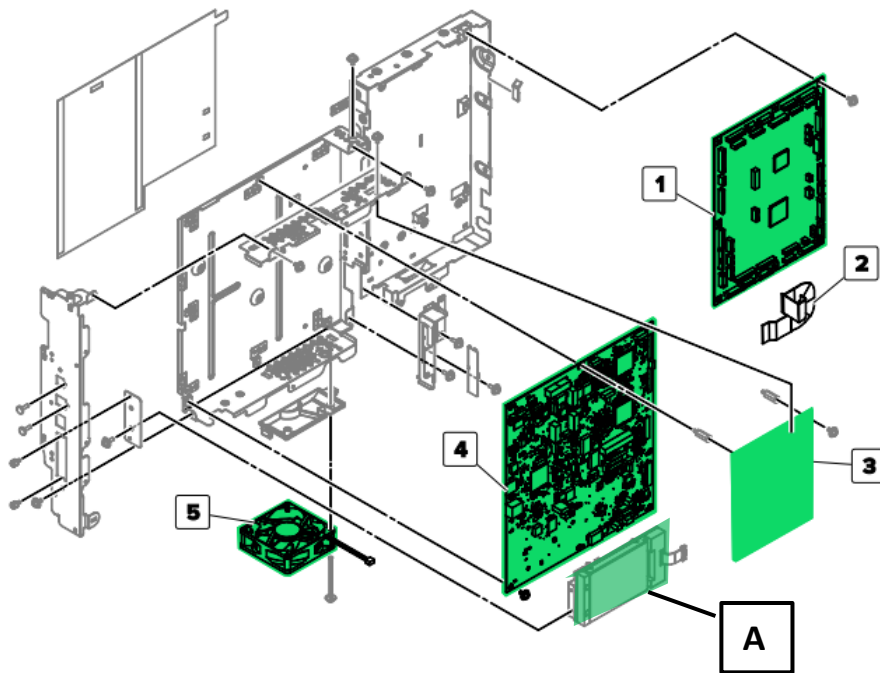
Main Power Supply



| Index | Description |
|-------|---------------------------------|
| 1 | Main power supply, 100 V |
| 1 | Main power supply, 230 V |
| 2 | Main power supply fan with duct |
| 3 | Main power supply fan |

MS91x and MX91x SERIES Location

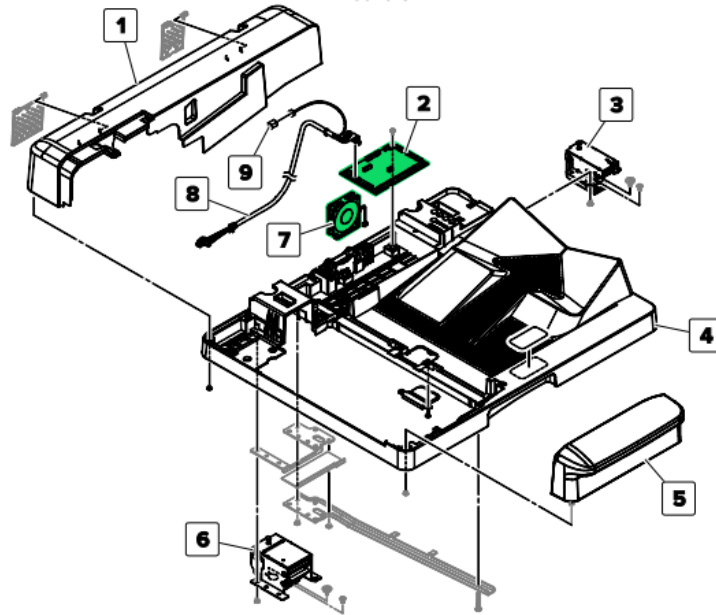
Electrical 2



| Index | Description |
|-------|------------------------------|
| 1 | Engine controller board |
| 3 | ADF/scanner controller board |
| 4 | Controller board, MFP/ SFP |
| 5 | Controller board fan |
| A | Hard drive |

MX91x SERIES Location

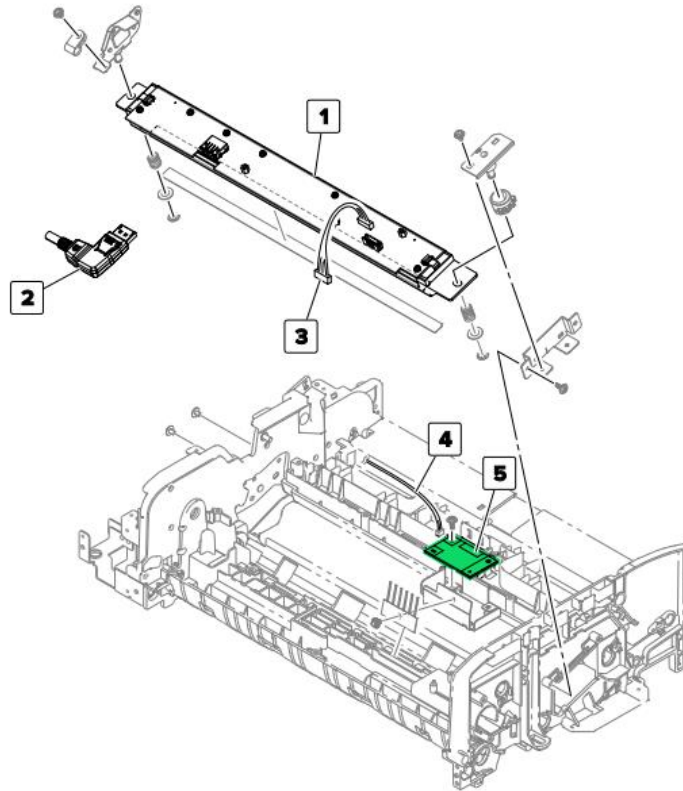
ADF Covers 1



| Index | Description |
|-------|----------------------|
| 1 | ADF rear cover |
| 2 | ADF controller board |
| 3 | ADF Right hinge |
| 4 | ADF frame |
| 5 | ADF front Cover |
| 6 | ADF Left hinge |
| 7 | ADF fan |
| 8 | ADF CIS cable |
| 9 | ADF sensor cable |

MX91x SERIES Location

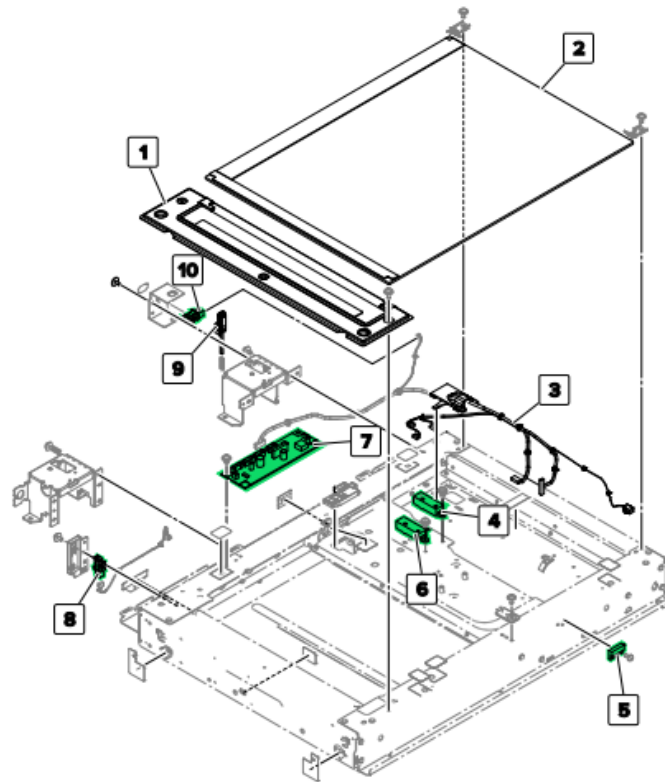
ADF CIS 1



| Index | Description |
|-------|----------------------------------|
| 1 | ADF CIS assembly |
| 2 | ADF CIS data cable |
| 3 | ADF CIS power supply cable |
| 4 | ADF CIS power supply board cable |
| 5 | ADF CIS power supply board |

MX91x SERIES Location

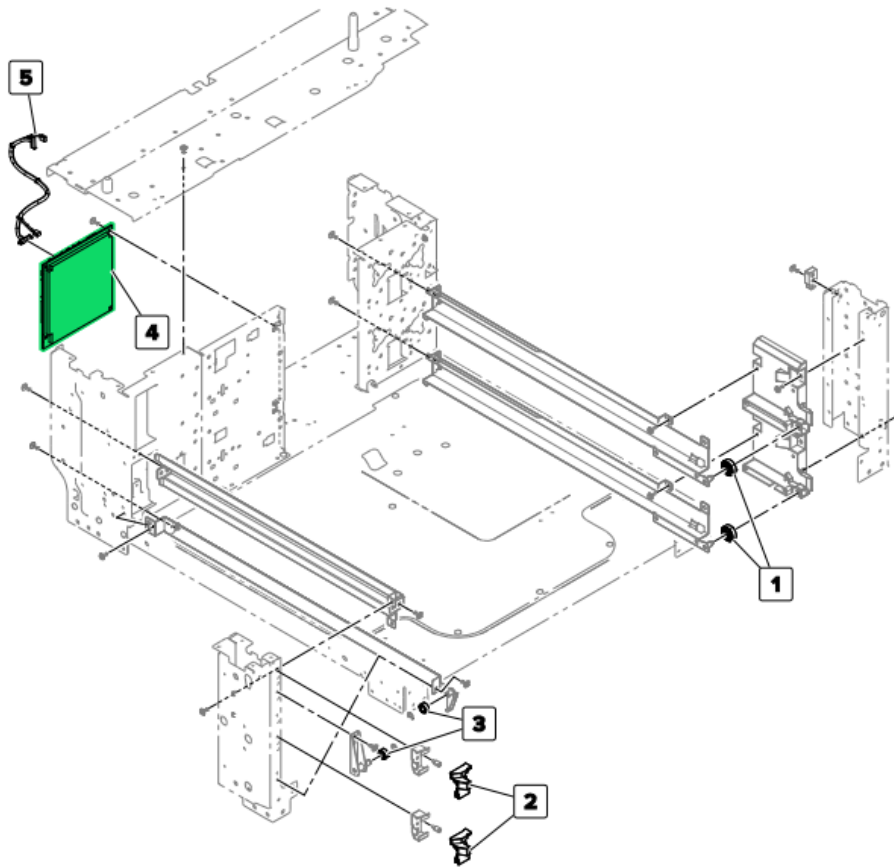
Flatbed Scanner



| Index | Description |
|-------|------------------------------------|
| 1 | ADF duplex scan glass |
| 2 | Scanner glass |
| 3 | Scanner sensor cable |
| 4 | Sensor (scanner paper length 1) |
| 5 | Sensor (scanner cover switch) |
| 6 | Sensor (scanner paper length 2) |
| 7 | Scanner controller board |
| 8 | Sensor (scanner lamp home) |
| 9 | Scanner cover open sensor actuator |
| 10 | Sensor (scanner cover open) |

MS91x and MX91x Options Location

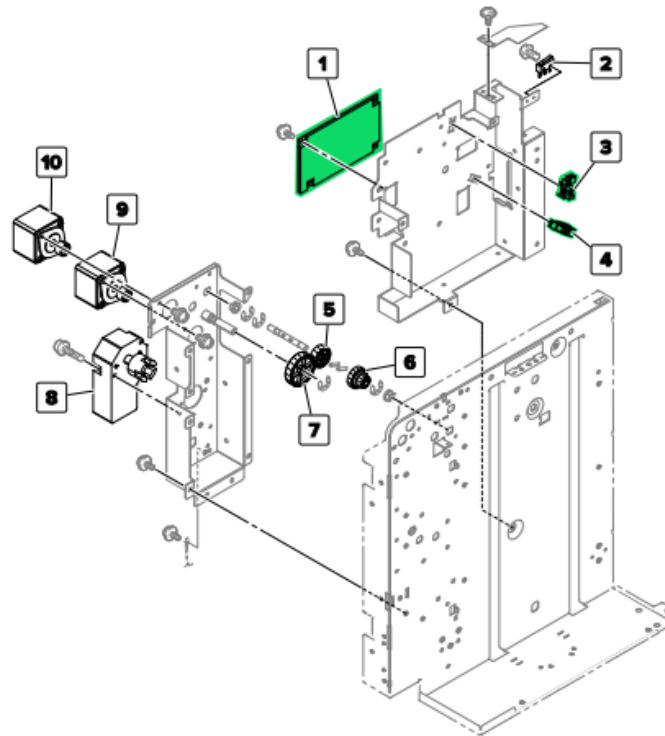
2 x 500-Sheet Tray



| Index | Description |
|-------|---|
| 1 | 2 x 500-sheet tray right rail guide wheel |
| 2 | 2 x 500-sheet tray insert stopper |
| 3 | 2 x 500-sheet tray left rail guide wheel |
| 4 | 2 x 500-sheet tray controller board |
| 5 | 2 x 500-sheet tray interface cable |

MS91x and MX91x Options Location

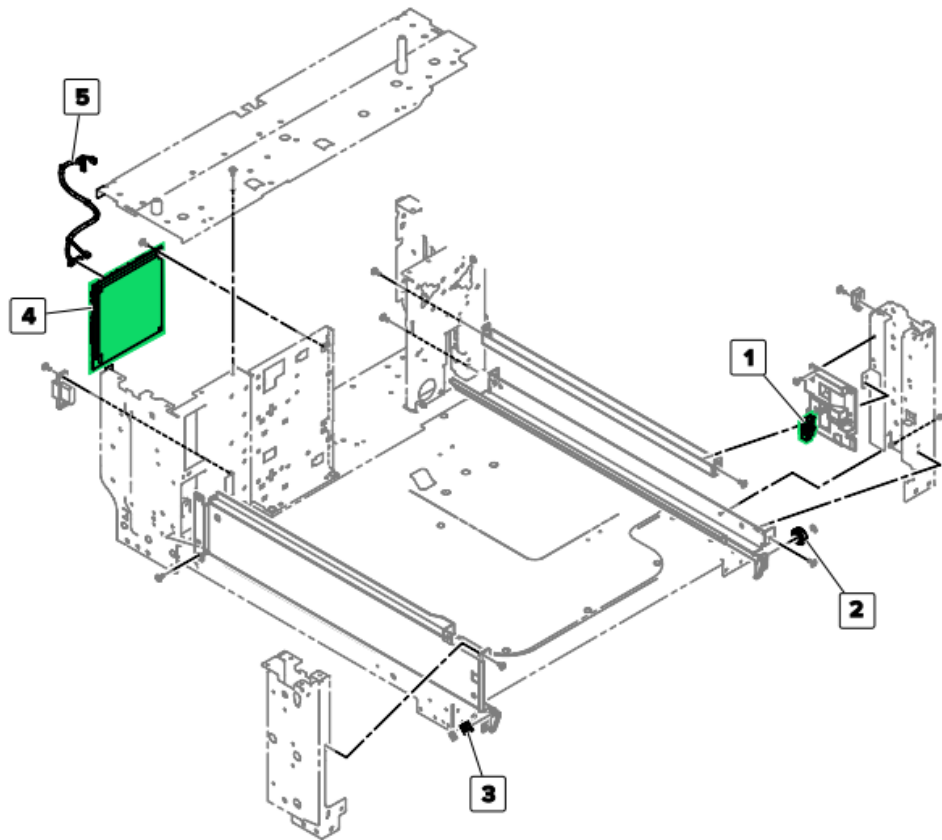
3000-Sheet Tray



| Index | Description |
|-------|--|
| 1 | 3000-sheet tray controller board |
| 2 | 3000-sheet tray door switch |
| 3 | Sensor (3000-sheet tray near empty 1) |
| 4 | Sensor (3000-sheet tray near empty 2) |
| 5 | 3000-sheet tray feed motor idler gear |
| 6 | 3000-sheet tray feed and pick idler gear |
| 7 | 3000-sheet tray feed motor gear |
| 8 | Motor (3000-sheet tray elevator) |
| 9 | Motor (3000-sheet tray feed) |
| 10 | Motor (3000-sheet tray transport) |

MS91x and MX91x Options Location

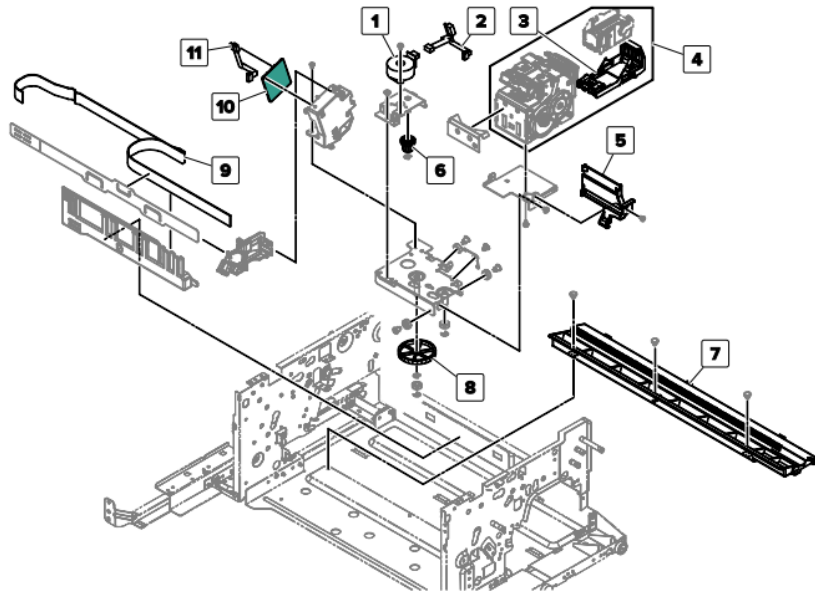
2500-Sheet Tray



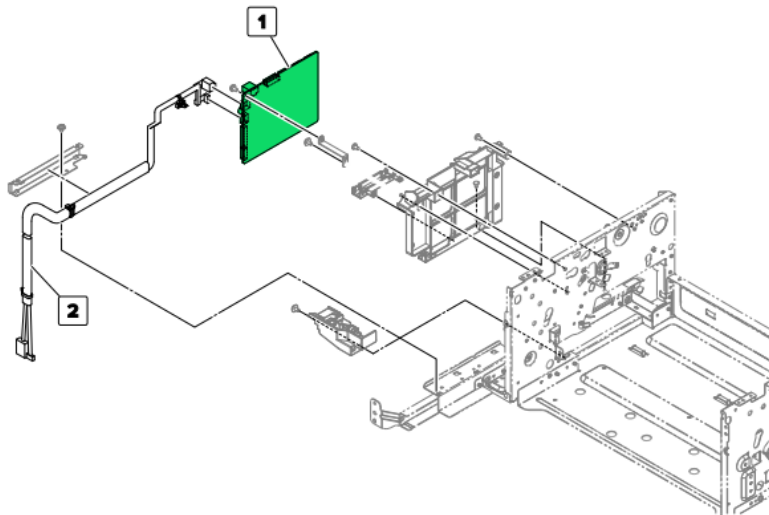
| Index | Description |
|-------|----------------------------------|
| 1 | Sensor (2500-sheet tray set) |
| 2 | Tray rail guide wheel |
| 3 | Tray insert guide wheel |
| 4 | 2500-sheet tray controller board |
| 5 | 2500-sheet tray interface cable |

MS91x and MX91x Options Location

Stapler Finisher



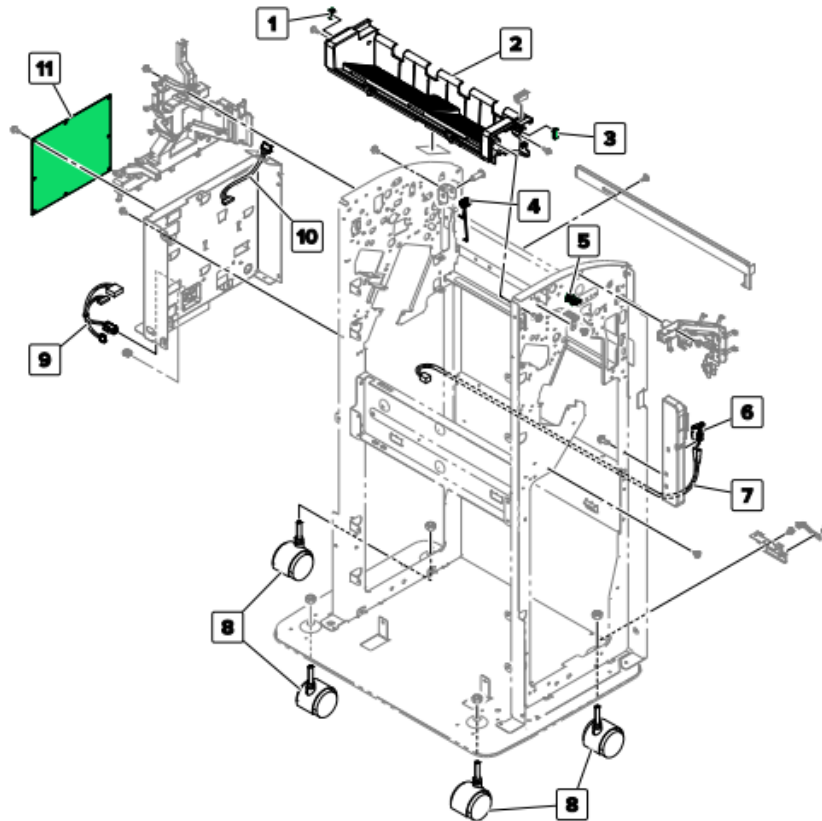
| Index | Description |
|-------|--|
| 1 | Motor (staple finisher staple unit carriage) |
| 2 | Staple finisher staple unit cable |
| 3 | Staple cartridge holder |
| 4 | Staple finisher staple unit |
| 5 | Staple finisher staple unit holder |
| 6 | Staple finisher staple unit carriage drive gear |
| 7 | Staple finisher staple unit rail |
| 8 | Staple finisher staple unit carriage gear |
| 9 | Staple finisher FFC |
| 10 | Staple finisher interface board |
| 11 | Staple finisher staple unit carriage motor cable |



| Index | Description |
|-------|----------------------------------|
| 1 | Staple finisher controller board |
| 2 | Staple finisher interface cable |

MS91x and MX91x Options Location

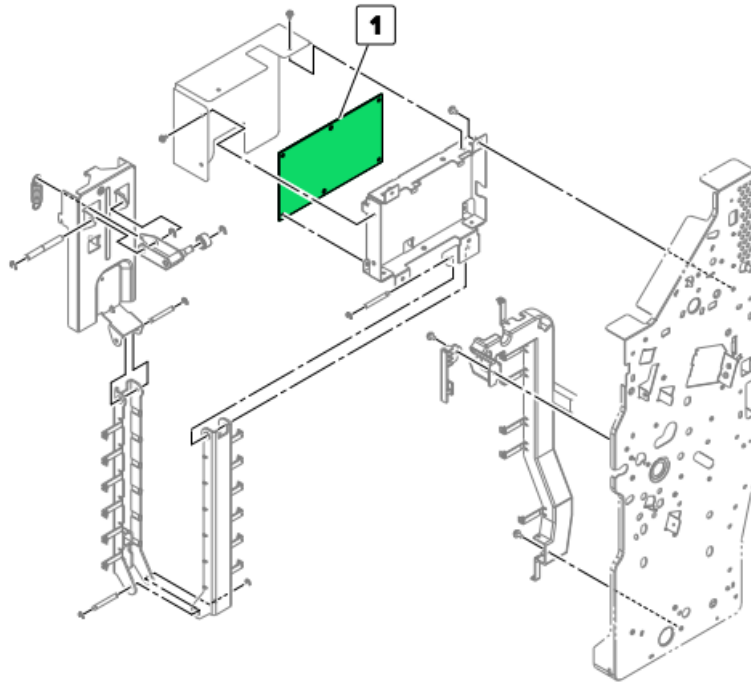
SPHT



| Index | Description |
|-------|---|
| 1 | Sensor (SHPF top bin full, transmit) |
| 2 | SHPF top bin holder |
| 3 | Sensor (SHPF top bin full, receive) |
| 4 | SHPF top jam access door spring |
| 5 | Sensor (SHPF top door) |
| 6 | SHPF front door switch |
| 7 | SHPF front door switch cable |
| 8 | SHPF caster wheel |
| 9 | Booklet maker interface extension cable |
| 10 | HPT interface extension cable |
| 11 | SHPF controller board |

MS91x and MX91x Options Location

Booklet maker

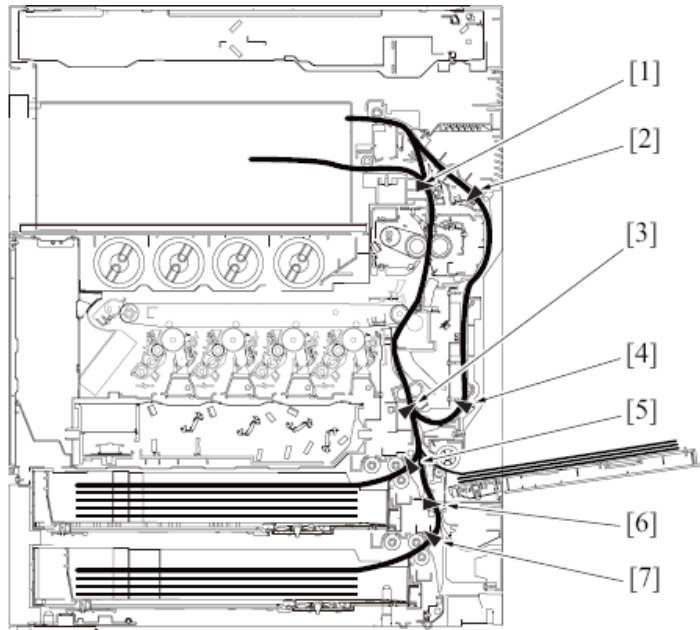


| Index | Description |
|-------|--------------------------------|
| 1 | Booklet maker controller board |

MS91x and MX91x SERIES Location

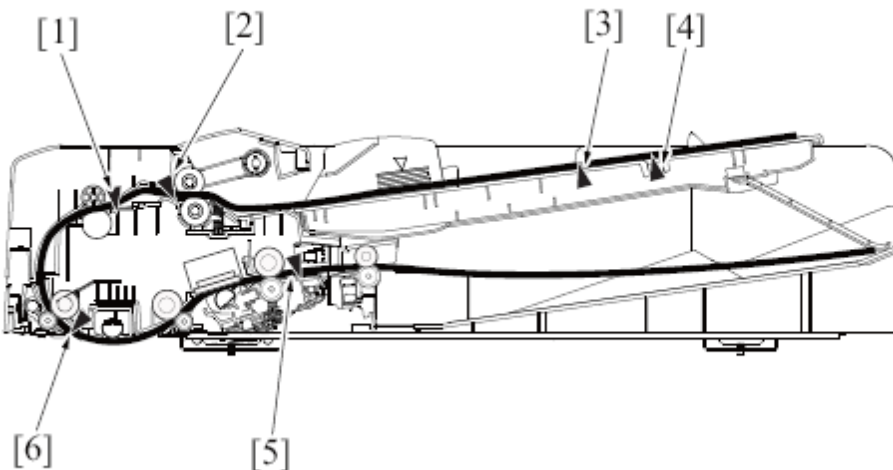
Sensors

Bizhub



| | | | |
|-----|---------------------------------|-----|---|
| [1] | Paper exit sensor (PS3) | [2] | ADU paper passage sensor/1 (PS40) |
| [3] | Registration sensor (PS1) | [4] | ADU paper passage sensor/2 (PS41) |
| [5] | Tray 1 paper feed sensor (PS23) | [6] | Tray 2 vertical transport sensor (PS19) |
| [7] | Tray 2 paper feed sensor (PS20) | - | - |

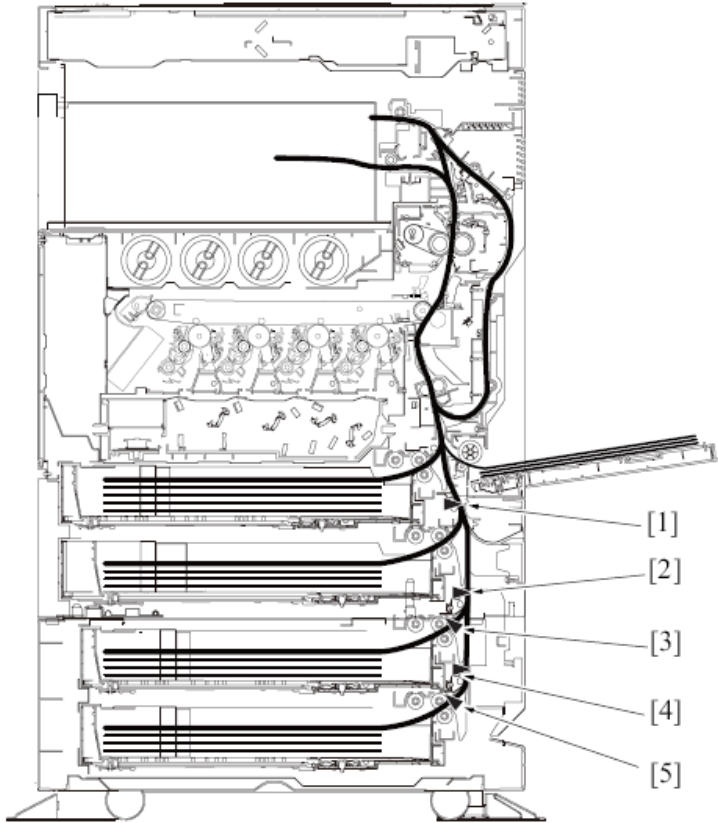
ADF



**MS91x and MX91x SERIES
Location**

Sensors

PC-110/PC-210

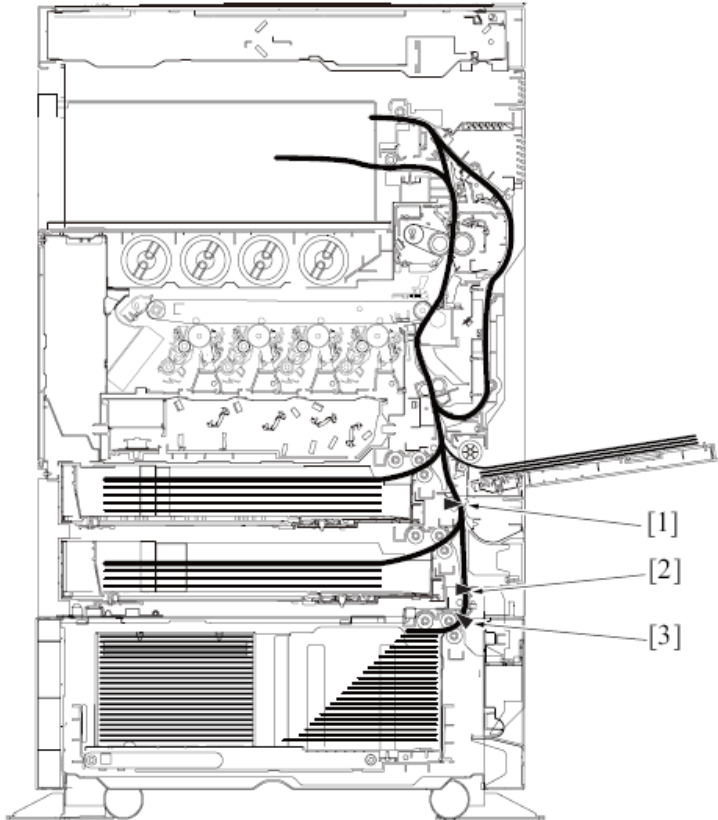


| | | | |
|-----|---|-----|--|
| [1] | Tray 2 vertical transport sensor (PS19) | [2] | Tray 3 vertical transport sensor (PS113) |
| [3] | Tray 3 paper feed sensor (PS112) | [4] | Tray 4 vertical transport sensor (PS123) |
| [5] | Tray 4 paper feed sensor (PS122) | - | - |

MS91x and MX91x SERIES
Location

Sensors

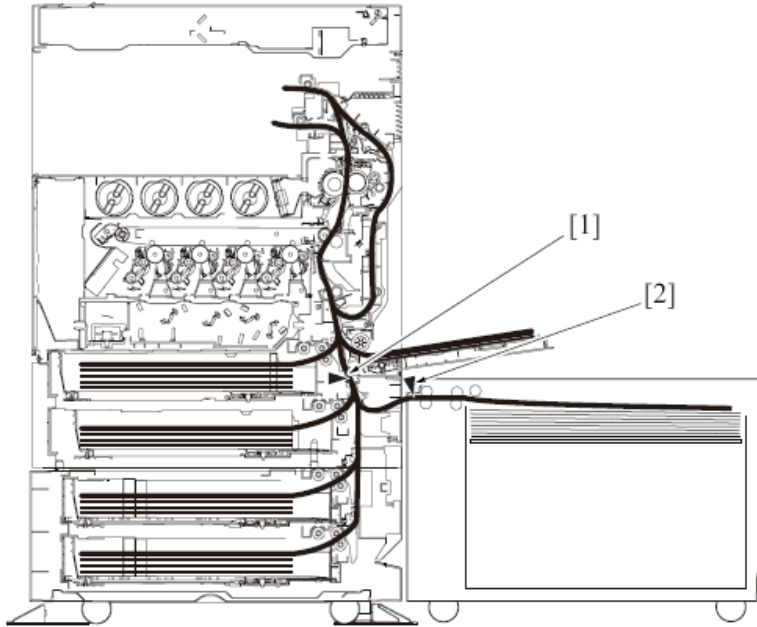
PC-410



| | | | |
|-----|---|-----|-----------------------------------|
| [1] | Tray 2 vertical transport sensor (PS19) | [2] | Vertical transport sensor (PS133) |
| [3] | Paper feed sensor (PS132) | - | - |

MS91x and MX91x SERIES
Location
Sensors

LU-204/ LU-301

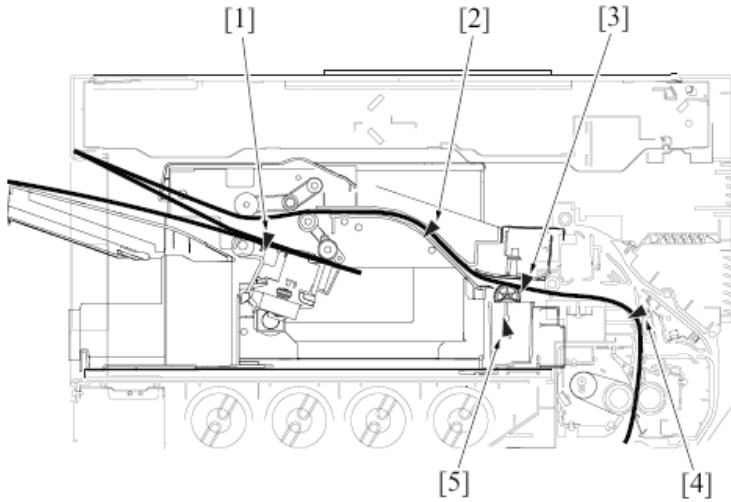


| | |
|--|-----------------------------|
| [1] Tray2 vertical transport sensor (PS12) | [2] Paper feed sensor (PS3) |
|--|-----------------------------|

**MS91x and MX91x SERIES
Location**

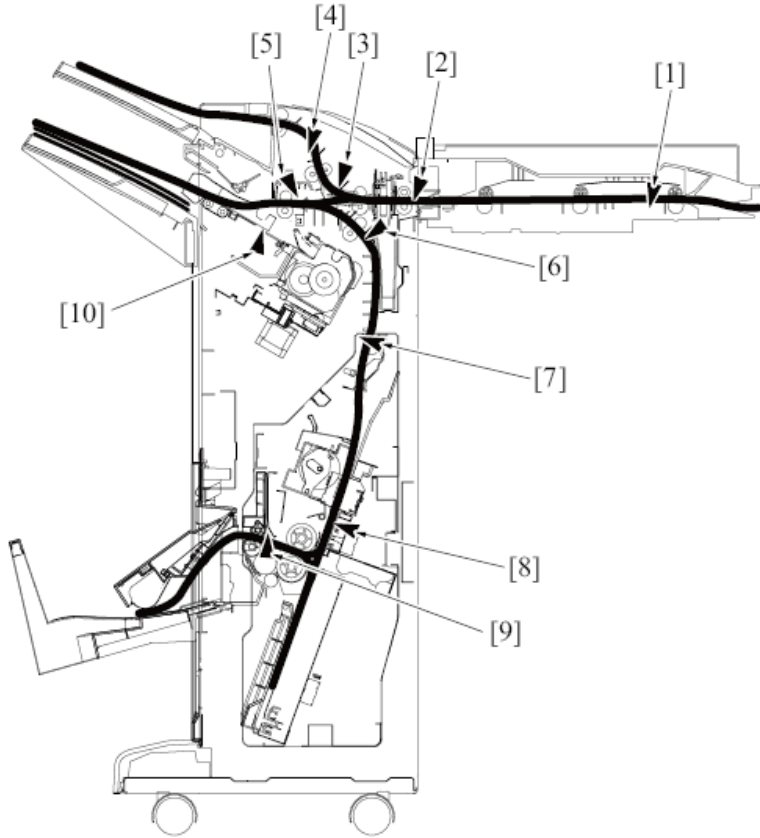
Sensors

FS-533/PK-519



| | | | |
|-----|---------------------------------------|-----|----------------------------|
| [1] | Paper surface detect sensor/1 (PS102) | [2] | Paper feed sensor (PS101) |
| [3] | Paper feed sensor (PS201) | [4] | Punch motor sensor (PS202) |
| [5] | Stapler home sensor (PS110) | - | - |

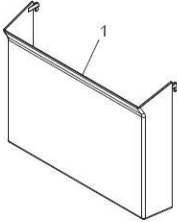
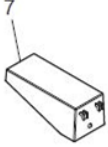
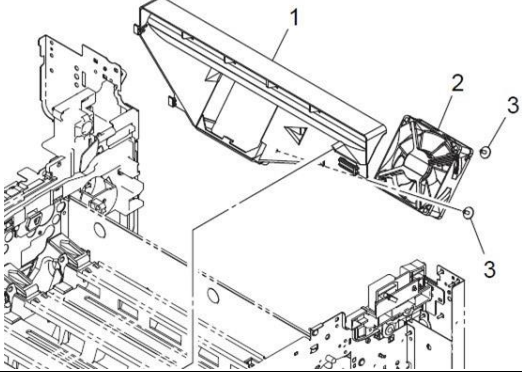
**MS91x and MX91x SERIES
Location
Sensors**

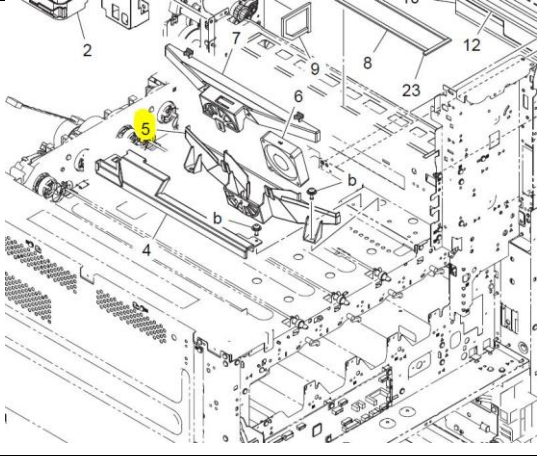
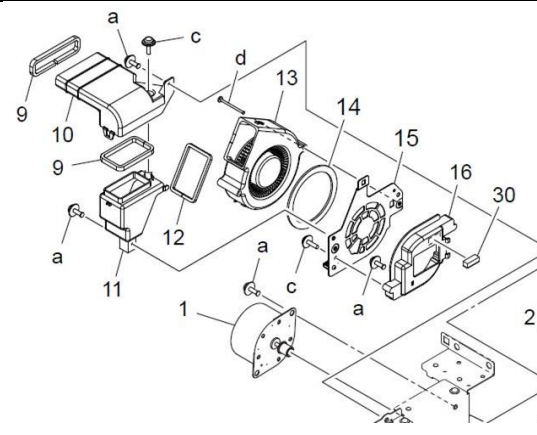
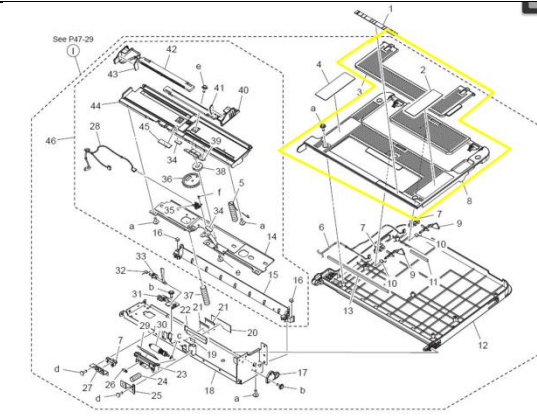
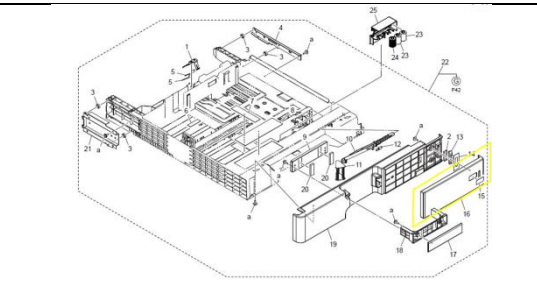


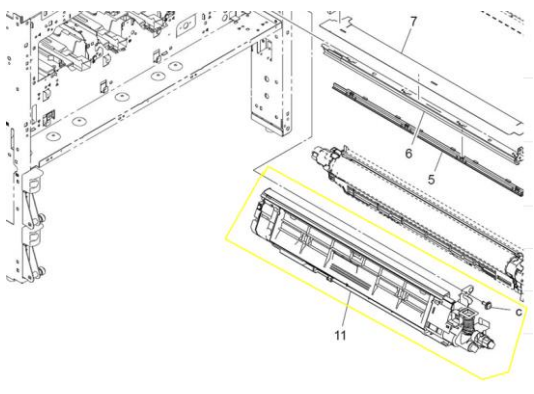
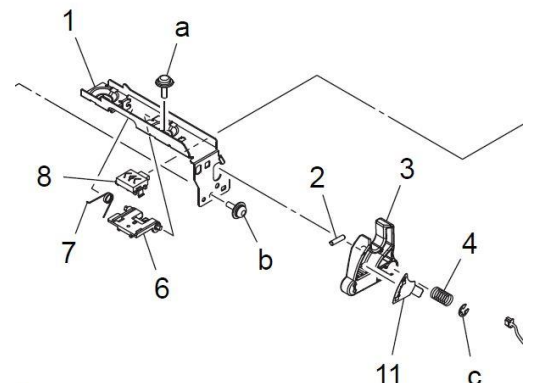
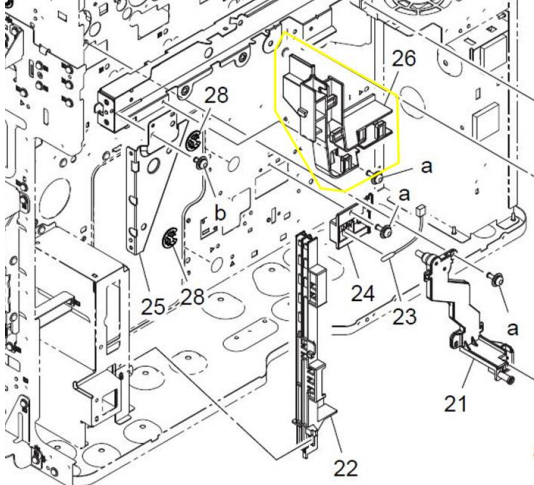
| | | | |
|-----|------------------------------|------|--|
| [1] | RU entrance sensor (PS2) | [2] | FNS entrance sensor (PS4) |
| [3] | Punch position sensor (PS2) | [4] | Sub tray exit sensor (PS8) |
| [5] | Saddle exit sensor (PS5) | [6] | Staple stacker paper detection sensor (PS31) |
| [7] | Saddle entrance sensor (PS1) | [8] | Center staple/fold stacker paper detect sensor (PS3) |
| [9] | Fold exit sensor (PS12) | [10] | Maintray exit sensor (PS16) |

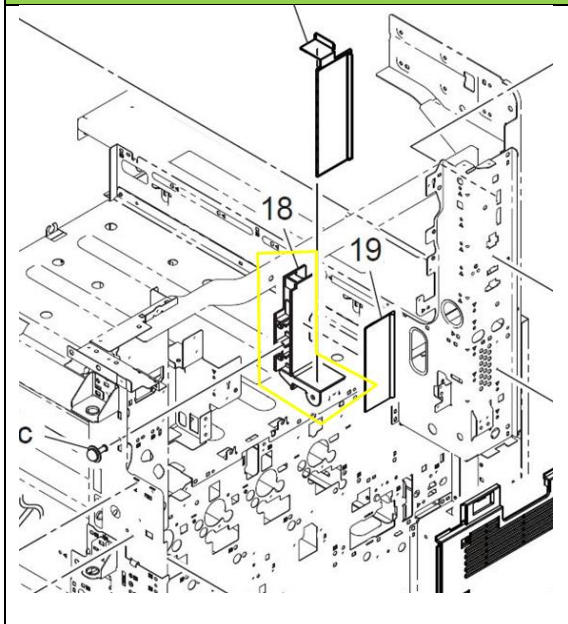
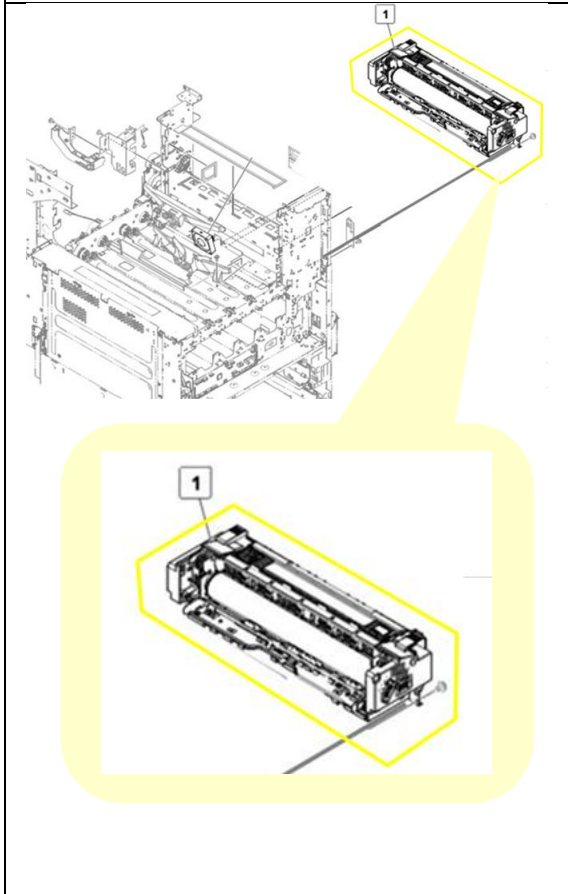
Appendix A
Plastic containing brominated flame retardants

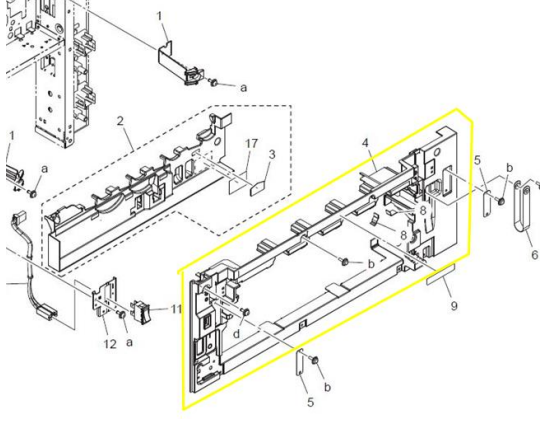
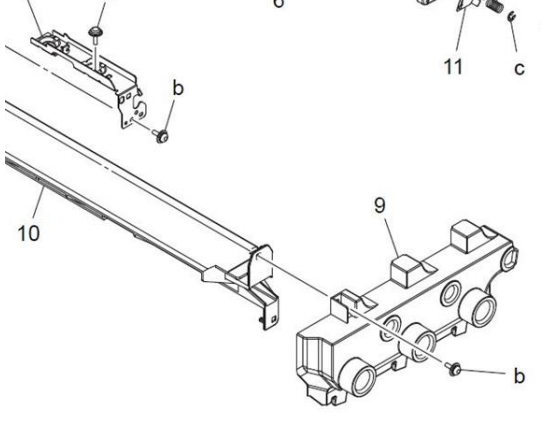
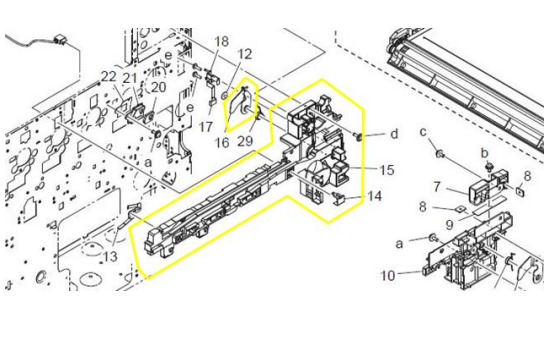
Plastics greater than or equal 25g

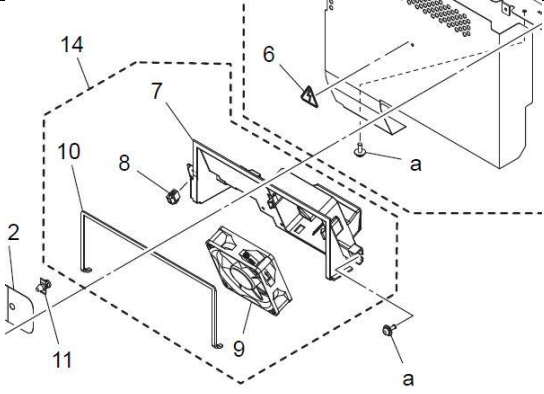
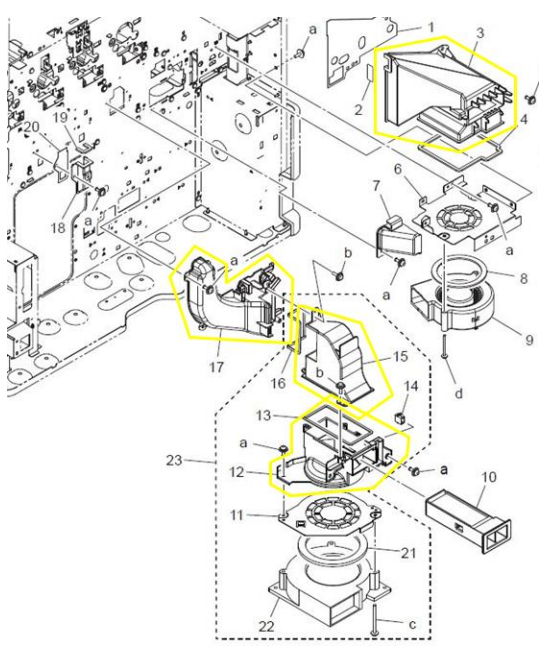
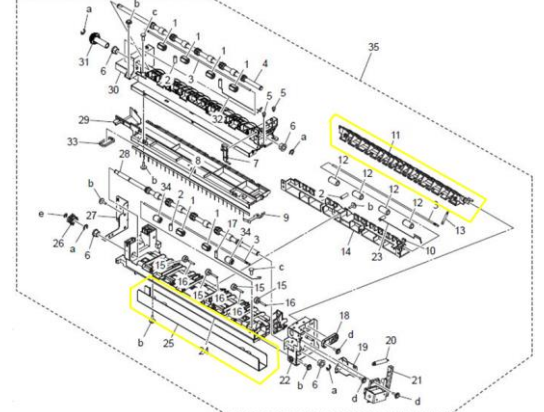
| Location | Part Index | General Location | Part Description | Parts Marking |
|---|------------|-----------------------------------|-------------------|-------------------|
| <p align="center">ACCESSORY PARTS</p>  | 1 | Accessory part Left side cover | Holder | >PS-HI FR(17)< |
|  | 7 | Accessory part | Installing Spacer | >PS-HI FR(17)< |
|  | 1 | Air Duct Section | Duct | >PS-HI FR(17)< |
| | 21 | Air Duct Section | Duct | >PS-HI< |

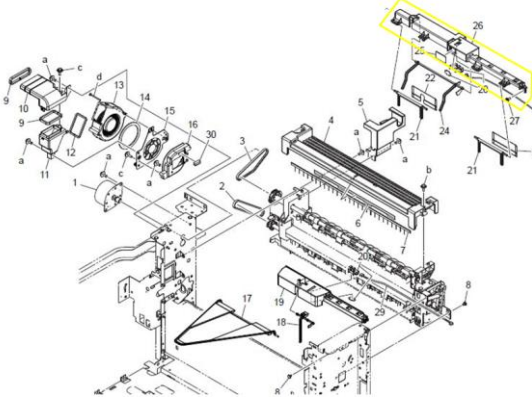
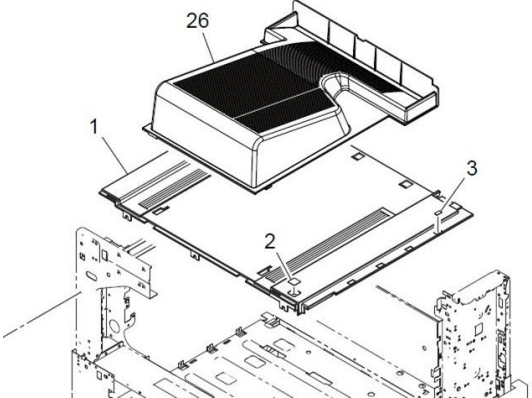
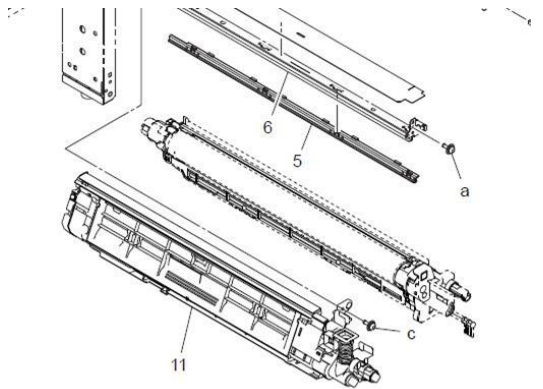
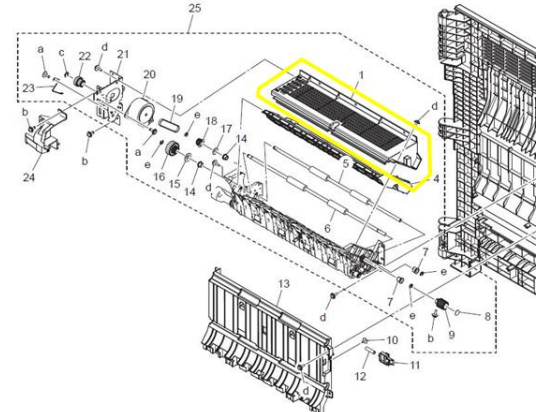
| Location | Part Index | General Location | Part Description | Parts Marking |
|---|------------|---------------------|--------------------|-------------------|
|  | 5 | Air Duct Section | Duct /2 | >PS-HI FR(17)< |
|  | 10 | Air Duct Section | Duct /3 | >PS-HI FR(17)< |
|  | 8 | Bypass Tray Section | Bypass Tray /Upper | >PS-HI FR(17)< |
| | 3 | Bypass Tray Section | Auxiliary Tray | >PS-HI FR(17)< |
|  | 16 | Cassette Section | Cover | >PS-HI FR(17)< |

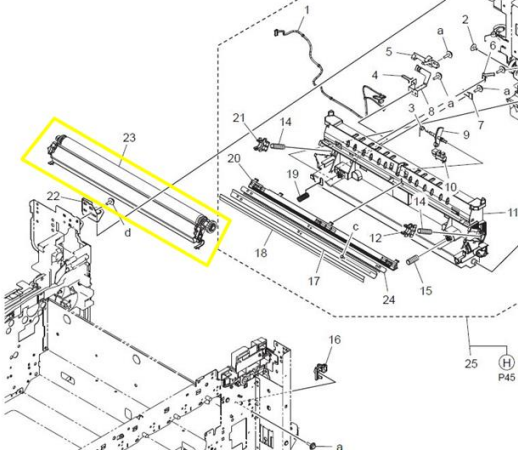
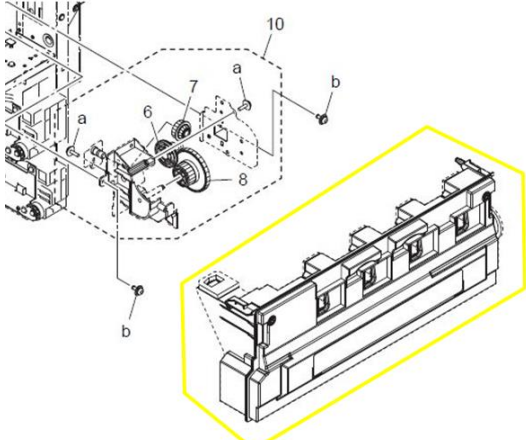
| Location | Part Index | General Location | Part Description | Parts Marking |
|---|------------|-----------------------------|--------------------|-----------------------|
|  | 11 | Developer Unit | Developing Housing | >ABS-GF20 FR(17) < |
| | 11 | Developer Unit | Developing Cover | >ABS-GF20 FR(17) < |
| | 11 | Developer Unit | Cover | >PS-HI FR(17) < |
|  | | Developer Unit Lock Section | Guide | >PS-HI FR(17) < |
|  | 26 | Electrical Mounting Section | Guide | >PS< |

| Location | Part Index | General Location | Part Description | Parts Marking |
|--|------------|-----------------------------|------------------|---------------------------|
|  | 18 | Electrical Mounting Section | Guide | >PS-HI FR(17)< |
|  | 1 | Fusing Unit | Guide Cover | >PET-(GF+MD)40 FR(17)< |
| | 1 | Fusing Unit | Cover /Lower | >PET-(GF+MD)40 FR(17)< |
| | 1 | Fusing Unit | Guide Plate | >PET-(GF+MD)40 FR(17)< |
| | 1 | Fusing Unit | Cover /Rear | >PET-(GF+MD)40 FR(17)< |
| | 1 | Fusing Unit | Cover /Front | >PET-(GF+MD)40 FR(17)< |
| | 1 | Fusing Unit | Guide Plate | >PET-(GF+MD)40 FR(17)< |
| | 1 | Fusing Unit | Holder | >PET-(GF+MD)40 FR(17)< |

| Location | Part Index | General Location | Part Description | Parts Marking |
|---|------------|---------------------|------------------|---------------------------|
|  | 4 | Inner Cover Section | Cover /Front | >PS-HI FR(17)< |
|  | 9 | Inner Cover Section | Cover /Inside | >PS-HI FR(17)< |
| | 19 | Inner Cover Section | Cover /Front | >PS-HI FR(17)< |
|  | 15 | Main Frame Section | Rail | >PET-(GF+MD)40 FR(17)< |
| | 10 | Main Frame Section | Rail | >ABS-GF20 FR(17) < |

| Location | Part Index | General Location | Part Description | Parts Marking |
|---|------------|---------------------------|------------------|---------------------------|
|  | 7 | Main Power Supply Section | Cooling Duct | >PS-HI FR(17)< |
|  | 3 | Ozone Duct Section | Duct /1 | >PS-HI FR(17)< |
| | 17 | Ozone Duct Section | Duct /1 | >PS-HI FR(17)< |
| | 12 | Ozone Duct Section | Duct /3 | >PS-HI FR(17)< |
| | 15 | Ozone Duct Section | Duct /2 | >PS-HI FR(17)< |
|  | 11 | Paper Exit Section | Guide Lever | >PC-GF20< |
| | 25 | Paper Exit Section | Regulating Plate | >PET-(GF+MD)40 FR(17)< |

| Location | Part Index | General Location | Part Description | Parts Marking |
|---|------------|-------------------------|------------------|-----------------------|
|  | 26 | Paper Exit Section | Holder | >PS-HI FR(17)< |
| | 19 | Paper Exit Section | Holder | >PS-HI FR(17)< |
|  | 1 | Paper Exit Tray | Tray | >PS-HI FR(17)< |
|  | | Photoconduct or Unit | Housing | >ABS-GF20 FR(17) < |
|  | 1 | Reversal Unit | Cover /Upper | >PS-HI FR(17)< |

| Location | Part Index | General Location | Part Description | Parts Marking |
|--|------------|------------------|------------------|-------------------|
|  | 23 | Transfer Unit | Housing | >PS-HI FR(17)< |
|  | 10 | Waste Toner Box | Collection Box | >PS-HI FR(17)< |

Appendix B
Printed Circuit Boards per Model

| No. | Description | Location | MS910de | MX910/ MX911/ MX912 |
|-----|---|-------------------|---------|---------------------------|
| 1 | Control panel board (Inside Control panel assembly) | Op panel | X | X |
| 2 | Image controller board | Printhead | X | X |
| 3 | Printhead relay board | Printhead | X | X |
| 4 | Power-saving board | High Voltage | X | X |
| 5 | Induction heater magnetic erase board | High Voltage | X | X |
| 6 | Expansion controller board | High Voltage | X | X |
| 7 | High voltage board | High Voltage | X | X |
| 8 | Noise filter board, 110/ 230 V | High Voltage | X | X |
| 9 | Induction heater power supply, 110/ 230 V | High Voltage | X | X |
| 10 | Main power supply, 110, 230 V | Main power supply | X | X |
| 11 | Engine controller board | Engine 2 | X | X |
| 12 | Controller board, MFP/ SFP | Engine 2 | X | X |
| 13 | Hard drive | Engine 2 | X | X |
| 14 | ADF/scanner controller board | Engine 2 | | X |
| 15 | ADF controller board | ADF Covers 1 | | X |
| 16 | ADF CIS power supply board | ADF CIS 1 | | X |
| 17 | Scanner controller board | Flatbed scanner | | X |