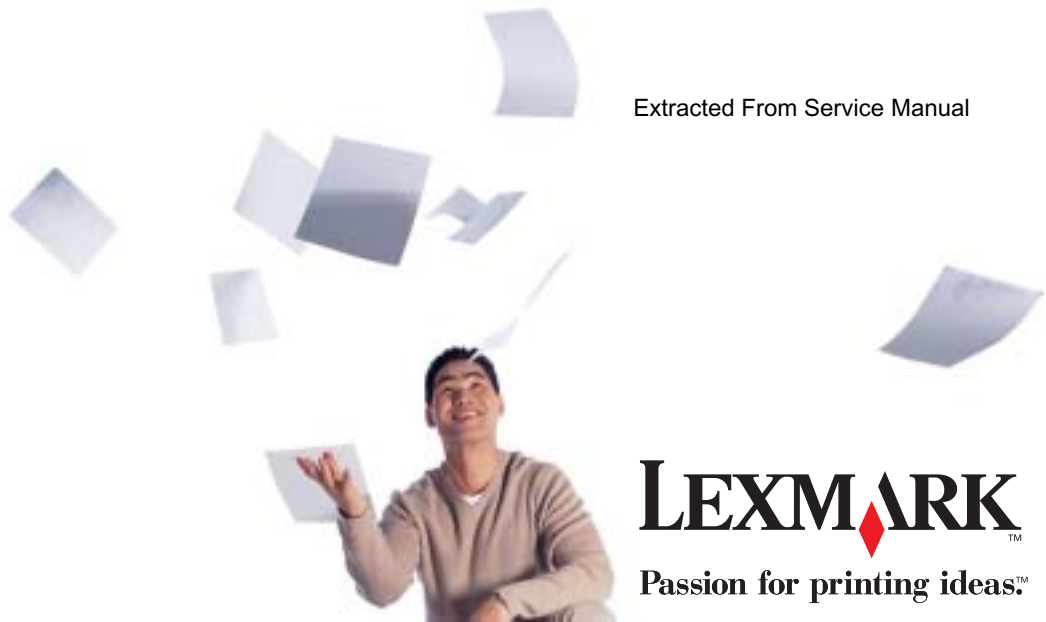


Parts Breakdown

Lexmark Optra™ C

5045-001

Extracted From Service Manual



LEXMARK[™]

Passion for printing ideas.[™]

Second Edition (March, 1996)

The following paragraph does not apply to the united kingdom or any country where such provisions are inconsistent with local law: LEXMARK INTERNATIONAL, INC. PROVIDES THIS PUBLICATION "AS IS" WITHOUT WARRANTY OF ANY KIND, EITHER EXPRESS OR IMPLIED, INCLUDING, BUT NOT LIMITED TO, THE IMPLIED WARRANTIES OF MERCHANTABILITY OR FITNESS FOR A PARTICULAR PURPOSE. Some states do not allow disclaimer of express or implied warranties in certain transactions, therefore, this statement may not apply to you.

This publication could include technical inaccuracies or typographical errors. Changes are periodically made to the information herein; these changes will be incorporated in later editions of the publication. Improvements or changes in the products or the programs described in this publication may be made at any time. Publications are not stocked at the address given below; requests for publications should be made to your point of purchase.

Comments may be addressed to Lexmark International, Inc., Department D22A/035-3, 740 New Circle Road, Lexington, Kentucky 40550, U.S.A. Lexmark may use or distribute any of the information you supply in any way it believes appropriate without incurring any obligation to you.

©Copyright Lexmark International, Inc. 1995, 1996. All Rights Reserved.

UNITED STATES GOVERNMENT RESTRICTED RIGHTS

This software and documentation are provided with RESTRICTED RIGHTS. Use, duplication or disclosure by the Government is subject to restrictions as set forth in subparagraph (c)(1)(ii) of the Rights in Technical Data and Computer Software clause at DFARS 252.227-7013 and in applicable FAR provisions: Lexmark International, Inc., Lexington, KY 40550.

7. Parts Catalog

How To Use This Parts Catalog

- **SIMILAR ASSEMBLIES:** If two assemblies contain a majority of identical parts, they are broken down on the same list. Common parts are shown by one index number. Parts peculiar to one or the other of the assemblies are listed separately and identified by description.
- **AR:** (As Required) in the Units column indicates that the quantity is not the same for all machines.
- **NP:** (Non-Procurable) in the Units column indicates that the part is non-procurable and that the individual parts or the next higher assembly should be ordered.
- **NR:** (Not Recommended) in the Units column indicates that the part is procurable but not recommended for field replacement, and that the next higher assembly should be ordered.
- **R:** (Restricted) in the Units column indicates that the part has a restricted availability.
- **NS:** (Not Shown) in the Asm-Index column indicates that the part is procurable but is not pictured in the illustration.
- **PP:** (Parts Packet) in the Description column indicates that the part is contained in a parts packet.
- **INDENTURE:** The indenture is marked by a series of dots located before the parts description. The indenture indicates the relationship of a part to the next higher assembly. For example:

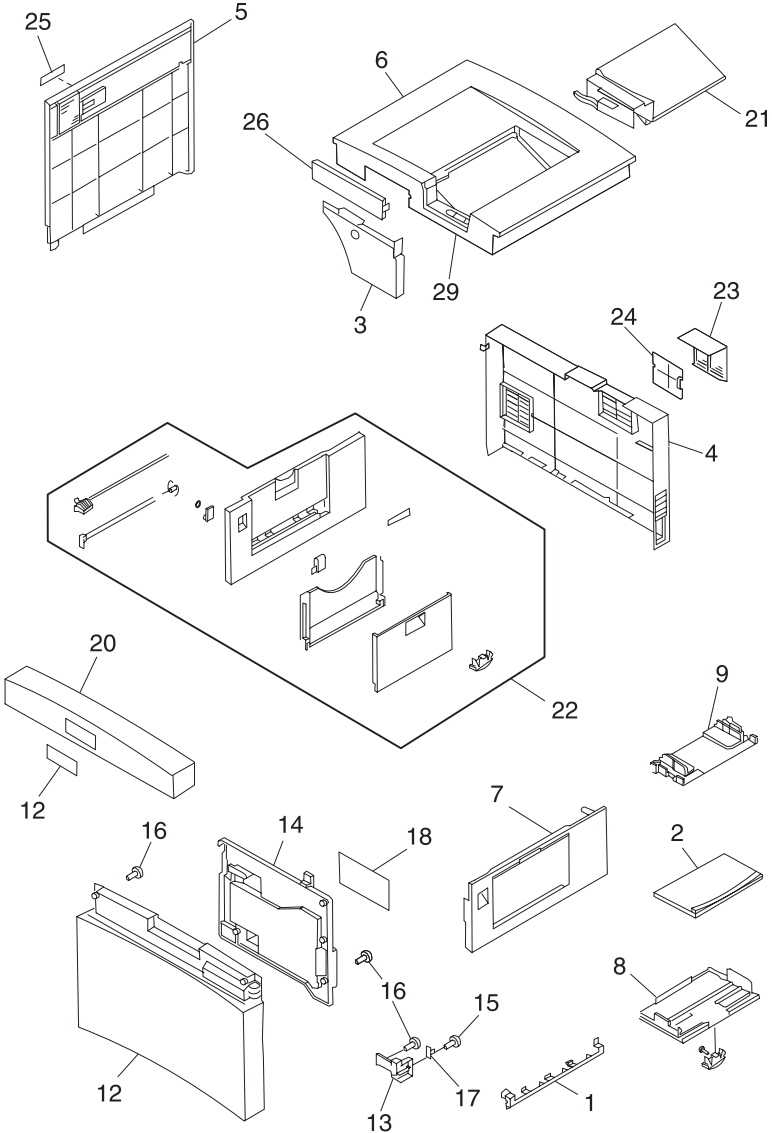
INDENTURE RELATIONSHIP OF PARTS

(No dot) MAIN ASSEMBLY

(One dot) • Detail parts or subassembly of a main assembly

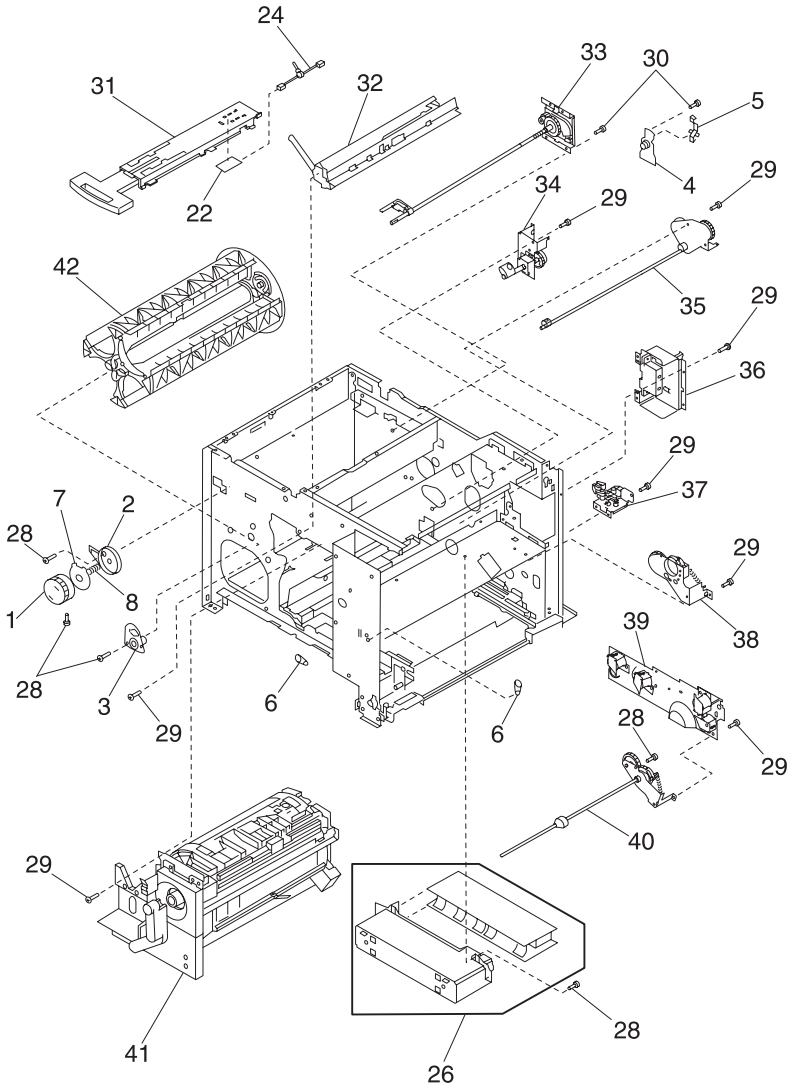
(Two dot) •• Detail part or subassembly of a one-dot subassembly

Assembly 1: Covers



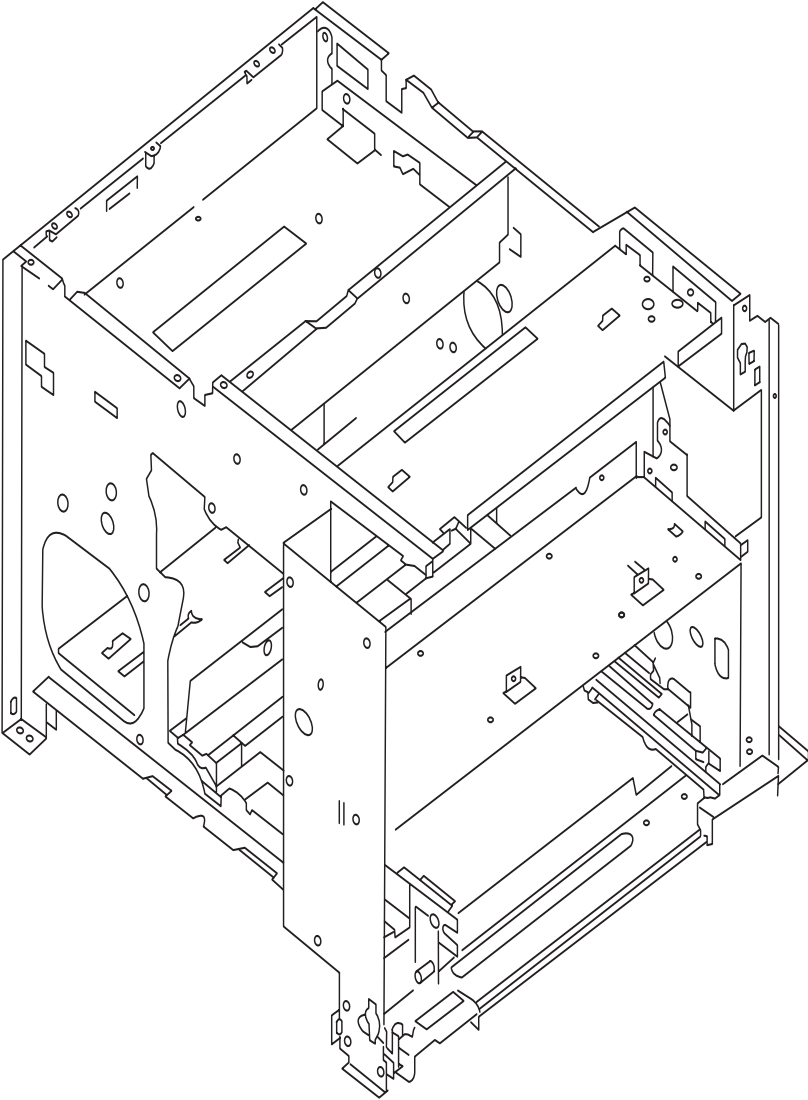
Asm-Index	Part Number	Units	Description
1-1	11A2747	1	Cover, Pick Up, Lower
-2	11A2140	1	Cover, Tray
-3	11A2319	1	Cover, Bezel
-4	11A2320	1	Cover, Rear
-5	11A2321	1	Cover, LH Side
-6	11A2322	1	Cover, Top
-7	11A2323	1	Cover, Multipurpose Door
-8	11A2324	1	Cover, Multipurpose Feeder Asm
-9	11A2325	1	Multipurpose Feeder Asm
-12	11A2327	1	Cover, Front
-13	11A2328	1	Latch Plate
-14	11A2329	1	Cover, Inner
-15			Screw, PP 11A2331
-16			Screw, PP 11A2340
-17	11A2330	1	Cover Latch
-18	11A2416	1	Cover Label
-20	11A2436	1	Front Bezel
-21	11A2417	1	Cover, Face Down Asm
-22	11A2418	1	Cover, Delivery Asm
-23	11A2419	1	Cover, Filter
-24	11A2421	1	Filter, Air
-25	11A2422	1	Cover, Board Connector
-26	11A2423	1	Cover, Trim For Top Cover
-28	11A2435	1	OP Panel Asm
-29	11A2739	1	Corona Cleaning Brush

Assembly 2: Major Components



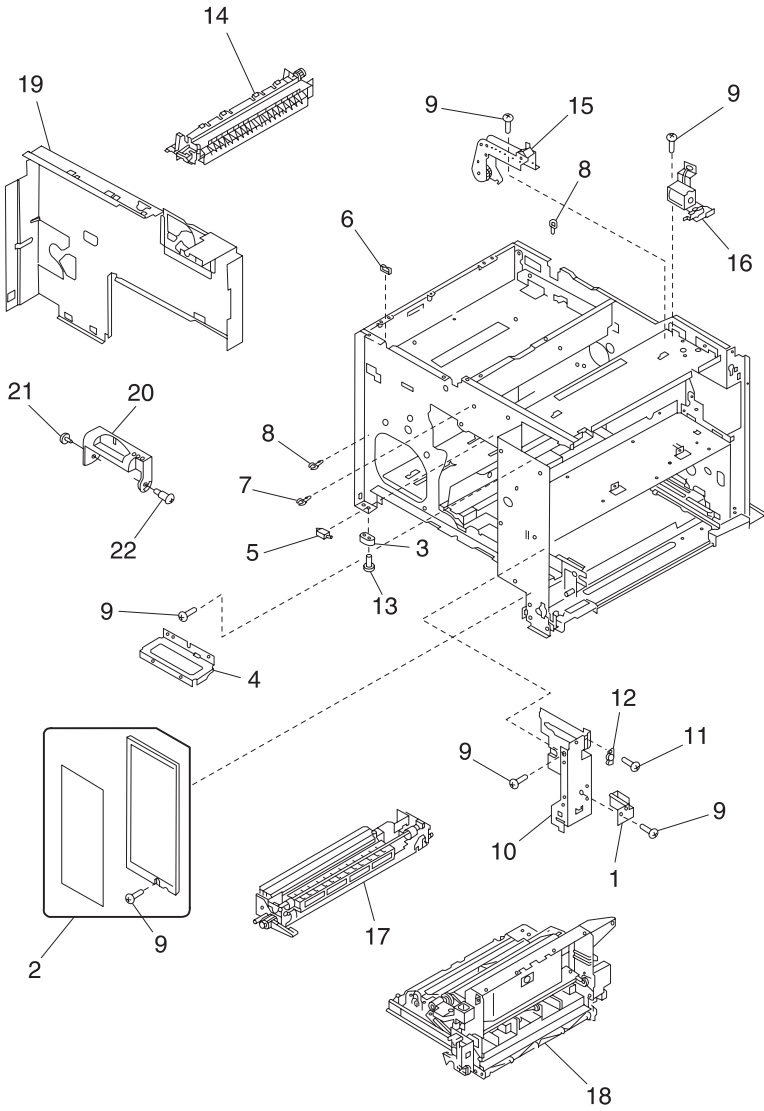
Asm-Index	Part Number	Units	Description
2-1	11A2424	1	Knob, Manual
-2		1	Bushing, PP 11A2379
-3		1	Bushing, Front, PP 11A2379
-4		1	Bushing, Rear, PP 11A2379
-5	11A2425	1	Lever, Release
-6		2	Bushing, PP 11A2379
-7	11A2717	1	Holder
-8		1	Spring, PP 11A2354
-NS	11A2741	1	Label, Caution, H.V.
-22	11A2426	1	Sensor Temperature & Humidity
-24	11A2427	1	Cable Temperature & Humidity
-26	11A2428	1	Power Supply, H.V.
-28			Screw, PP 11A2331
-29			Screw, PP 11A2331
-30			Screw, PP 11A2340
-31			See "Ejector Lever" on page 7-24
-32			See "Density Sensor Asm" on page 7-64
-33			See "Rotary Manual Feed" on page 7-30
-34			See "Attraction Roller Drive" on page 7-40
-35			See "Drum Lift" on page 7-38
-36			See "Door Switch, Upper" on page 7-20
-37			See "Door Switch, Lower" on page 7-22
-38			See "Transfer Drum Cleaning Drive" on page 7-34
-39			See "Solenoid Plate" on page 7-26
-40			See "Discharge Roller Drive" on page 7-36
-41			See "Transfer Drum Mounting Asm" on page 7-58
-42			See "Developing Rotary Asm" on page 7-56

Assembly 3: Toner (used) Reservoir/ HV



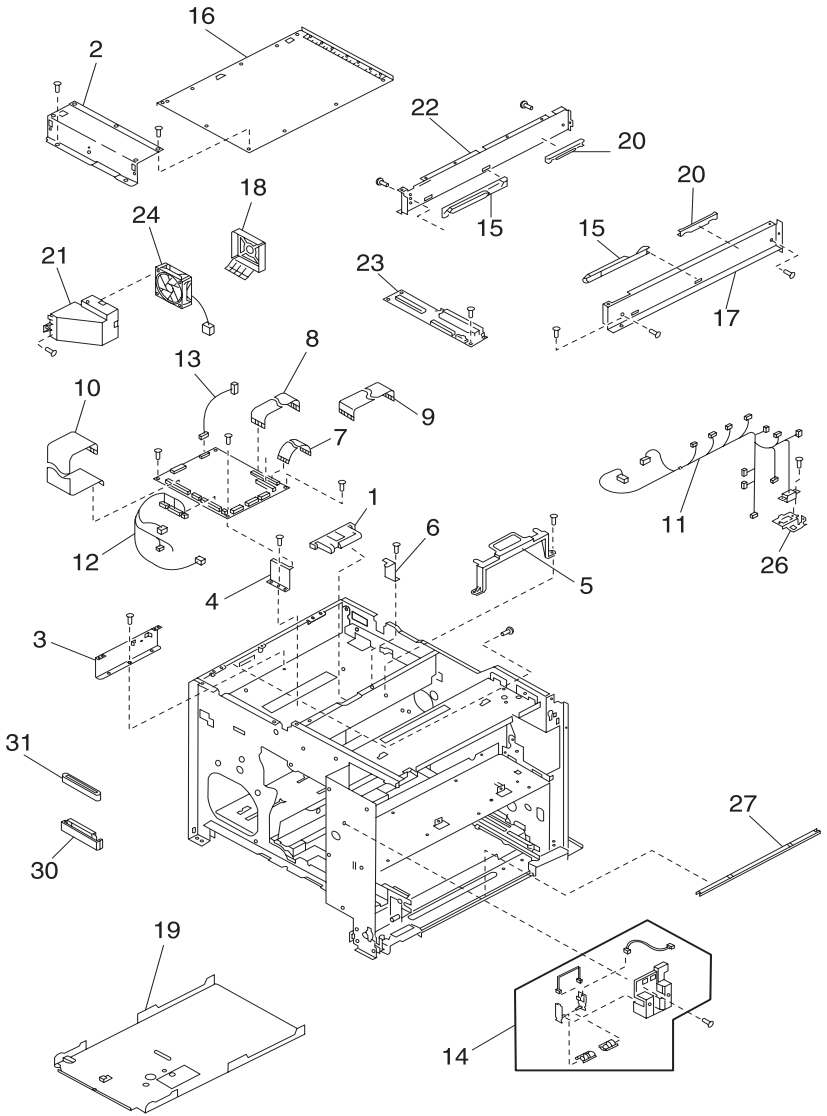
Asm-Index	Part Number	Units	Description
3-1		1	Bolt, PP 11A2340
-2	11A2429	1	Cover, Conn.
-3	11A2431	1	Panel, Guide
-4	11A2432	1	Hinge Upper, Door
-5	11A2433	1	Stopper Spring
-6	11A2031	1	Cover, Switch
-7		1	Spring, PP 11A2354
-8	11A2032	1	Size Sensor Asm, includes Ejection Sensor Board
-9	11A2033	1	Switch, Main
-10	11A2034	1	Sensor, Waste Toner Asm
-11	11A2035	1	Button, Switch
-12	11A2036	1	Hinge, Lower Door
-13			Screw, PP 11A2331
-14			Screw, PP 11A2331
-15	11A2037	1	PCB, H.V. Separator
-16	11A2038	1	Converter H.V.

Assembly 4: Major Assemblies (Top/Bottom)



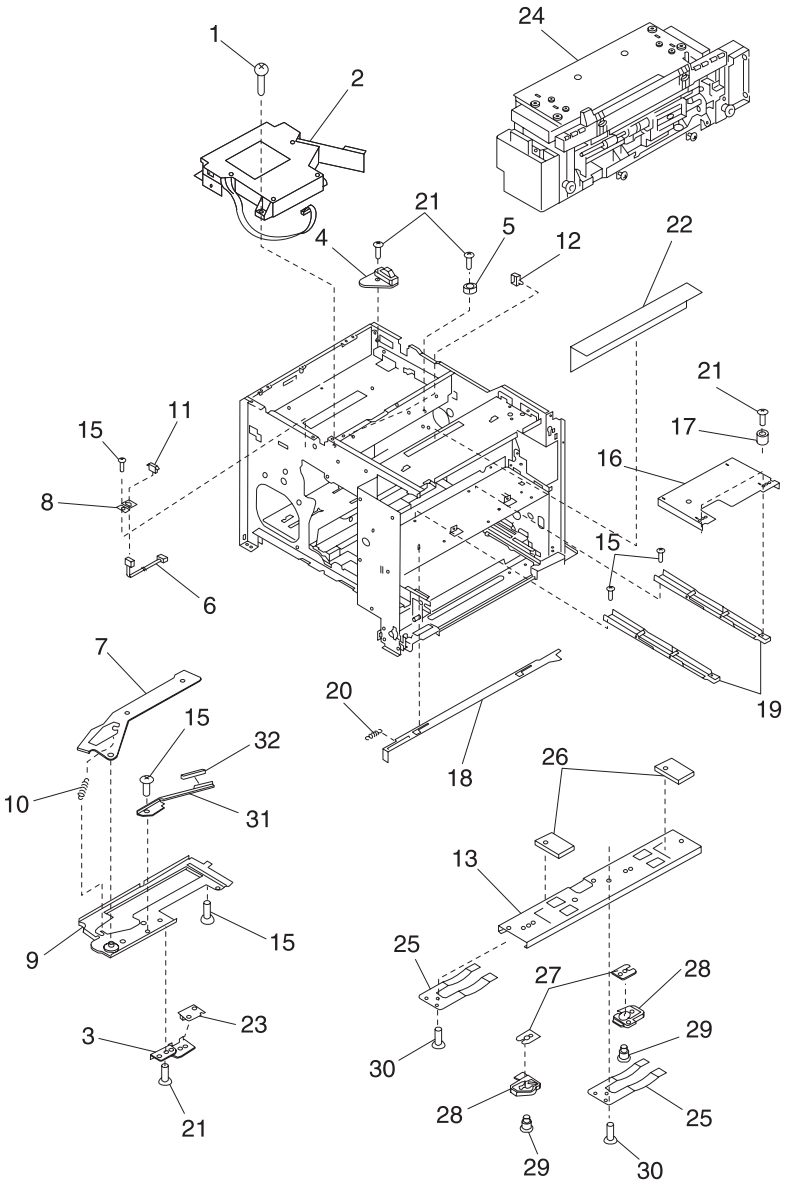
Asm-Index	Part Number	Units	Description
4-1	11A2039	1	Stop, Left
-2	11A2040	1	Cover, W/ Label
-3	11A2041	1	Foot, Front
-4	11A2042	1	Cover, Bottle
-5		1	Connector, 3P, PP 11A2389
-6		1	Clamp, Cord, PP 11A2389
-7		1	Clamp, PP 11A2389
-8		2	Clip, PP 11A2389
-9			Screw, PP 11A2331
-10	11A2043	1	Cross-member
-11			Screw, PP 11A2331
-12	11A2044	1	Latch, Roller
-13			Screw, PP 11A2340
-14			See "Paper, Side Exit Asm" on page 7-54
-15			See "Paper Drive" on page 7-42
-16			See "Cleaning Belt Drive Solenoid" on page 7-28
-17			See "Transfer Drum Cleaning" on page 7-66
-18			See "Paper Pickup" on page 7-46
-19	11A2719	1	Shield, Rear
-20	11A2720	1	Handle, Oil Bottle
-21	11A2737	1	Screw, Pivot
-22	11A2746	1	Stud, Pivot

Assembly 5: DC Controller / Video Controller Board



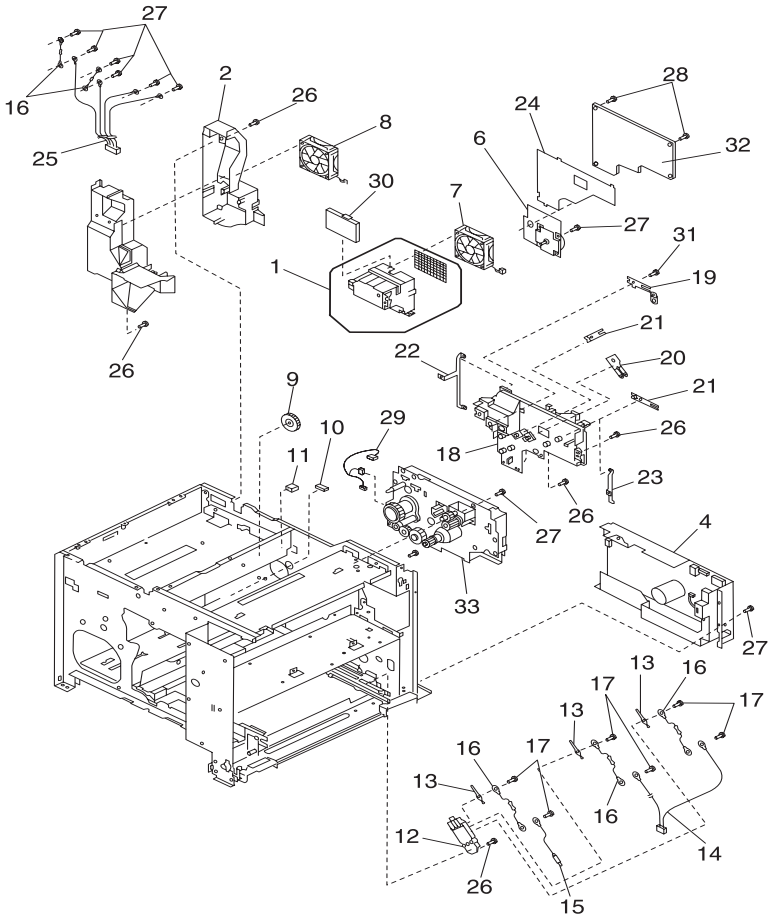
Asm-Index	Part Number	Units	Description
5-1	11A2045	1	Holder, Cable
-2	11A2046	1	Cover, Upper Plate
-3	11A2047	1	Mount, DC Controller
-4	11A2048	1	Mount, DC Controller
-5	11A2049	1	Cover, DC Controller
-NS	11A2742	1	Ferrite Core (mounts to #5)
-6	11A2050	1	Mount, DC Controller
-7	11A2051	1	Cable
-8	11A2052	1	Cable
-9	11A2053	1	Cable
-10	11A2054	1	Cable
-11	11A2055	1	Cable, DC Rear
-12	11A2056	1	Cable, DC Front
-13	11A2057	1	Cable, Density Adj. Panel
-14	11A2058	1	Sensor, Oil Asm
-15	11A2059	2	Guide, Rail
-16	11A2060	1	Plate, Cover
-17	11A2061	1	Plate, RH
-18	11A2062	1	Plate, Fan Duct
-19	11A2063	1	Crossmember
-20	11A2064	2	Guide, Rail
-21	11A2065	1	Duct, Fan
-22	11A2066	1	Plate, LH
-23	11A2067	1	Connector PCB
-24	11A2068	1	Fan, Video Controller
-25			Screw, PP 11A2331
-26	11A2069	1	Bracket, Opt Conn.
-27	11A2070	1	Cover, Cable
-28			Screw, PP 11A2331
-29	11A2071	1	PCB, DC Controller
-30	11A2721	1	Holder, Ferrite Core
-31	11A2713	1	Ferrite Core
-32			See "Video Controller Board" on page 7-72.

Assembly 6: Laser



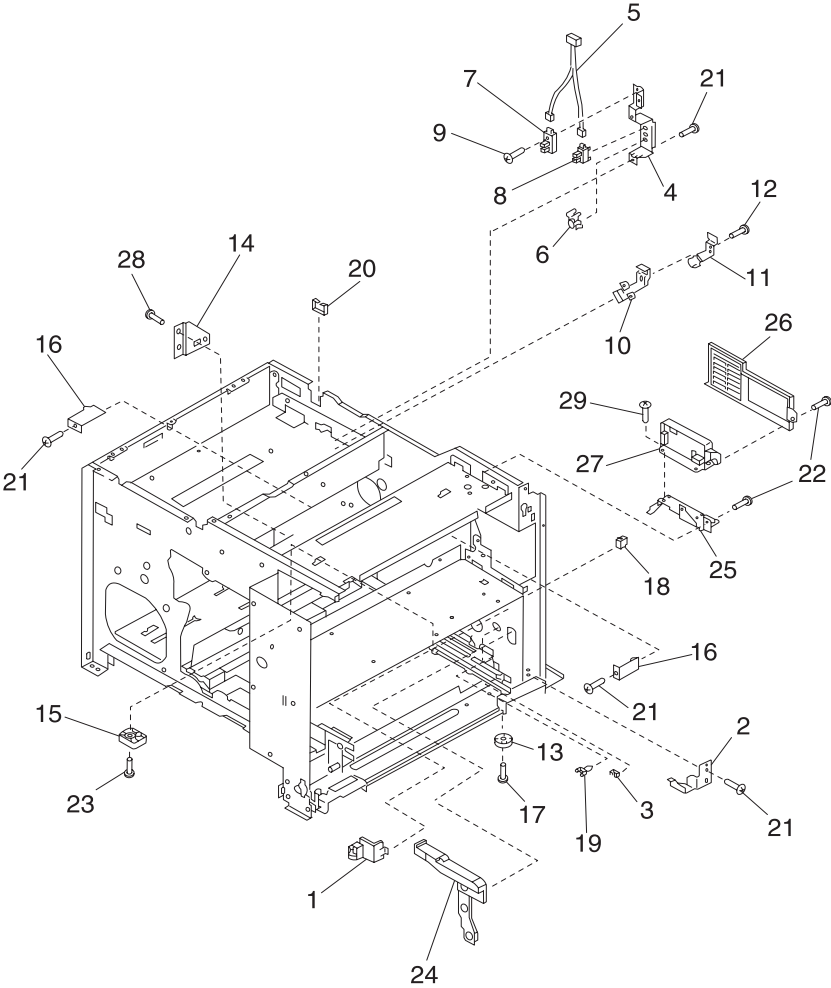
Asm-Index	Part Number	Units	Description
6-1			Screw, PP 11A2331
-2	11A2072	1	Printhead
-3	11A2073	1	Holder, Sensor
-5	11A2074	1	Stopper, Laser, PCB
-6	11A2075	1	Cable, Toner Sensor
-7	11A2076	1	Shutter, Laser
-8	11A2077	1	Mount, Panel
-9	11A2078	1	Bracket, Shutter
-10		1	Spring, PP 11A2354
-11		1	Connector 3 Pin, PP 11A2389
-12		1	Clip, Cable, PP 11A2389
-13	11A2079	1	Rail, PC Cartridge
-15			Screw, PP 11A2331
-16	11A2081	1	Plate, Slide
-17	11A2082	2	Guide, Fuser
-18	11A2083	1	Rod, ON/Off
-19	11A2084	2	Rail Asm
-20		1	Spring, PP 11A2354
-21			Screw, PP 11A2331
-22	11A2085	1	Sheet, Caution
-23	11A2086	1	PCB, Sensor, Toner Empty (Receive)
-24			See "Fuser" on page 7-68
-25	11A2552	2	Spring, Leaf
-26	11A2553	2	Damper
-27	11A2554	2	Damper
-28	11A2555	2	Spacer, Rail
-29			Screw, PP 11A2331
-30			Screw, PP 11A2331
-31	11A2550	1	Spring, Leaf
-32	11A2551	1	Damper

Assembly 7: Drive, Main



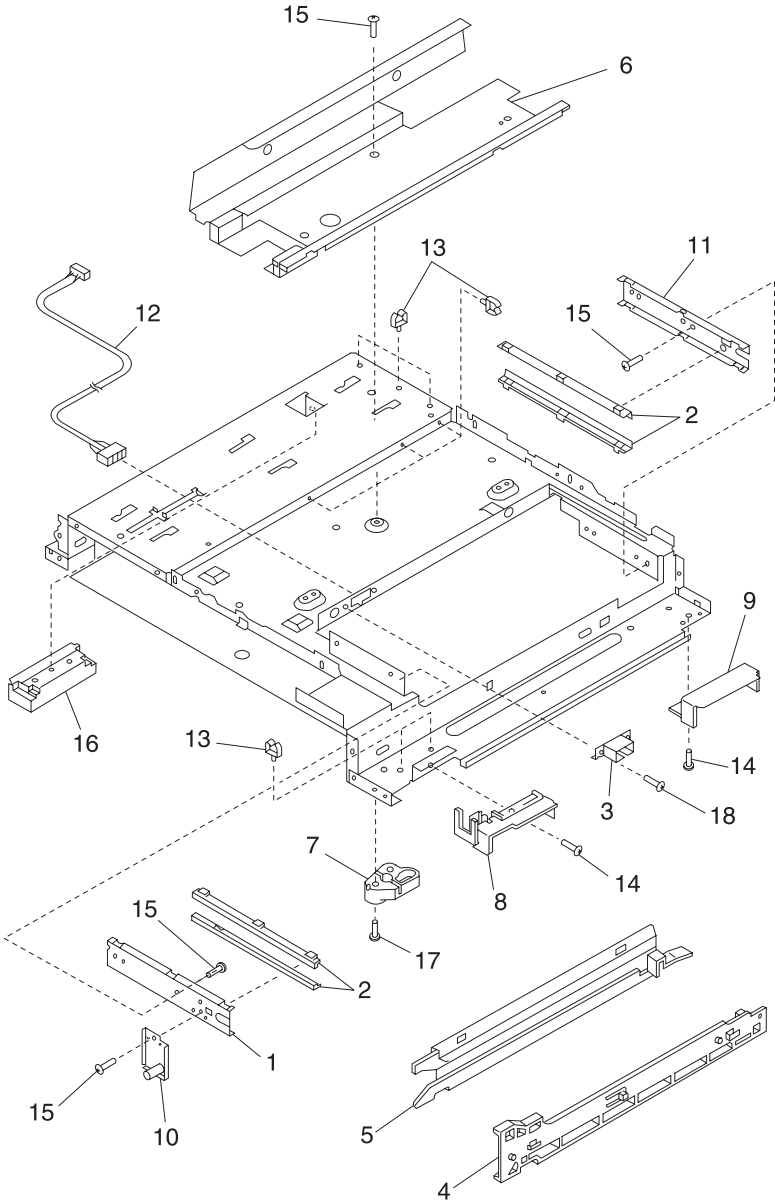
Asm-Index	Part Number	Units	Description
7-1	11A2087	1	Duct Fuser Fan Asm
-2	11A2088	1	Duct, Upper Fan
-3	11A2089	1	Duct, Lower Fan
-4	11A2090	1	LVPS 110 V
-4	11A2091	1	LVPS 220 V
-6	11A2092	1	Motor, Main Drive
-7	11A2093	1	Fan, Fuser
-8	11A2094	1	Fan, DC Controller, Laser
-9	11A2095	1	Gear, Cartridge Press
-10		1	Connector, Snap Tite, PP 11A2389
-11		1	Connector, 5 Pin Male, PP 11A2389
-12	11A2096	1	Mount, HV Terminal
-13	11A2097	3	Spring, Leaf
-14	11A2098	1	Cable, Transfer HV
-15	11A2099	1	Cable, Discharge
-16	11A2100	5	Resistor
-17			Screw, PP 11A2340
-18	11A2101	1	Mount, Mechanical Controller
-19	11A2102	1	Plate, HV Contact
-20	11A2103	1	Plate, HV Contact
-21	11A2104	2	Plate, HV Contact
-22	11A2105	1	Grd, Right
-23	11A2106	1	Grd, Left
-24	11A2107	1	Sheet, Mech Controller, Insulator
-25	11A2108	1	Cable, HV
-26			Screw, PP 11A2331
-27			Screw, PP 11A2331
-28			Screw, PP 11A2331
-29	11A2109	1	Cable, Clutch, Brake
-30	11A2110	1	Filter, Ozone
-31			Screw, PP 11A2331
-32	11A2111	1	Board, Mech Controller
-33			See "Printer Drive" on page 7-32

Assembly 8: Density Adjustment Panel



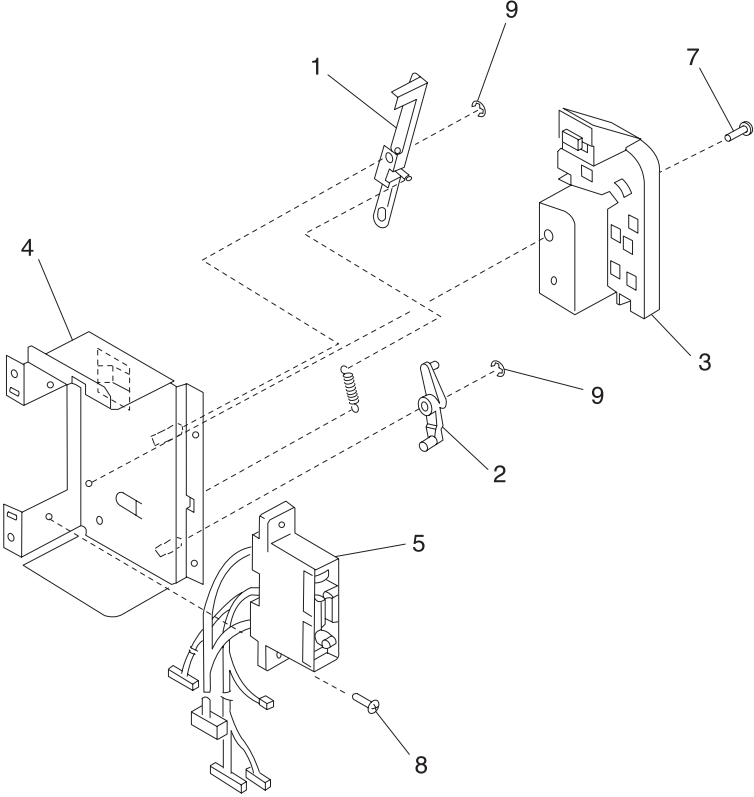
Asm-Index	Part Number	Units	Description
8-1	11A2112	1	Cover, Cleaning
-2	11A2113	1	Stopper, Right
-3		1	Clamp, Cable, PP 11A2389
-4	11A2114	1	Plate, Sensor
-5	11A2115	1	Cable, Rotary
-6		1	Bushing, PP 11A2379
-7	11A2116	1	Sensor, Photo
-8	11A2117	1	IC TLP1230, Sensor
-9			Screw, W/Washer, PP 11A2340
-10	11A2118	1	Holder, Contact
-11	11A2119	1	Contact
-12			Screw, PP 11A2340
-13	11A2120	1	Foot, Rear
-14	11A2121	1	Crossmember
-15	11A2122	1	Mount, Positioning
-16	11A2123	2	Guide, Drive Mounting
-17			Screw, W/Washer, PP 11A2340
-18		1	Conn., 2 Pin, PP 11A2389
-19		1	Clip, PP 11A2389
-20		1	Edge Saddle, PP 11A2389
-21			Screw, PP 11A2331
-22			Screw, PP 11A2331
-23			Screw, PP 11A2340
-24	11A2124	1	Rail, Cleaner
-25	11A2125	1	Mount, Panel
-26	11A2126	1	Bezel, Density Adj
-27	11A2127	1	Panel, Density Adj PCB
-28			Screw, PP 11A2331
-29			Screw, PP 11A2331

Assembly 9: Bottom Plate



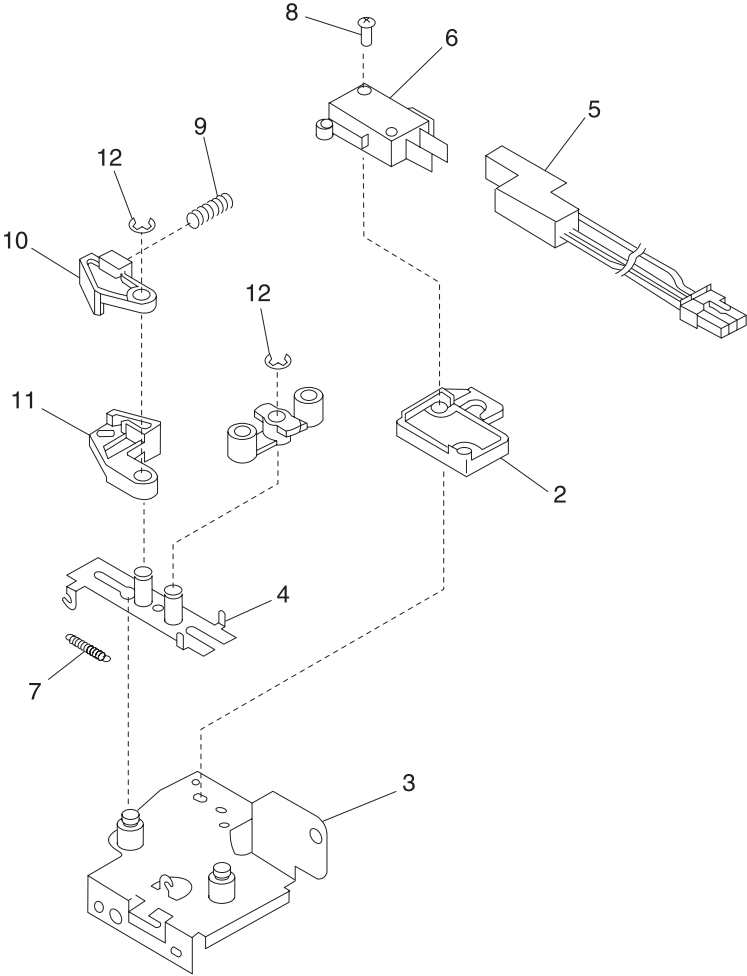
Asm-Index	Part Number	Units	Description
9-1	11A2128	1	Plate, Left, Slide Out
-2	11A2129	4	Guide, Slide
-3	11A2130	1	Shield, Conn.
-4	11A2131	1	Rail, Cassette Rt
-5	11A2132	1	Rail, Cassette Lft
-6	11A2133	1	Crossmember Rail
-7	11A2134	1	Foot, Front
-8	11A2135	1	Grip, Front, Right
-9	11A2136	1	Grip, Rear, Right
-10	11A2137	1	Support, Rock Pin
-11	11A2138	1	Plate, Right, Slide Out
-12	11A2139	1	Cable, Bottom
-13			Clip, PP 11A2389
-14			Screw, PP 11A2331
-15			Screw, PP 11A2331
-16	11A2748	2	Grip, Front and Rear, Left
-17			Screw, PP 11A2340
-18			Screw, PP 11A2340

Assembly 10: Door Switch, Upper



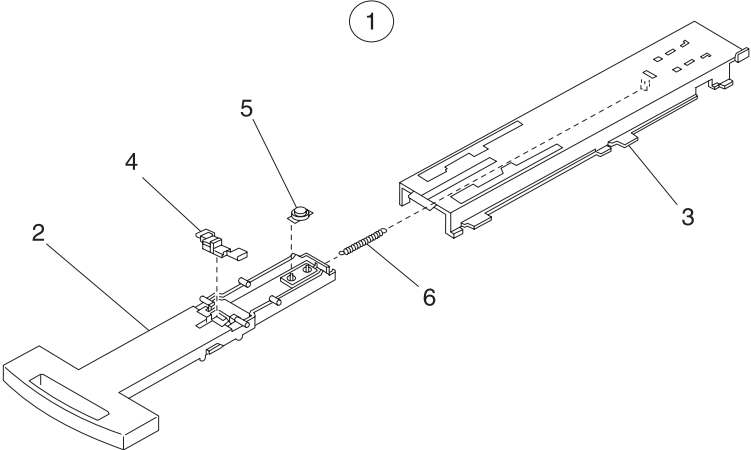
Asm-Index	Part Number	Units	Description
10-1	11A2141	1	Arm, Door 1
-2	11A2142	1	Arm, Door 2
-3	11A2143	1	Guide, Cable
-4	11A2144	1	Mount, Switch Upper
-5	11A2145	1	Cable, Control
-6		1	Spring, PP 11A2354
-7			Screw, PP 11A2331
-8			Screw, PP 11A2331
-9			E-Ring, PP 11A2373

Assembly 11: Door Switch, Lower



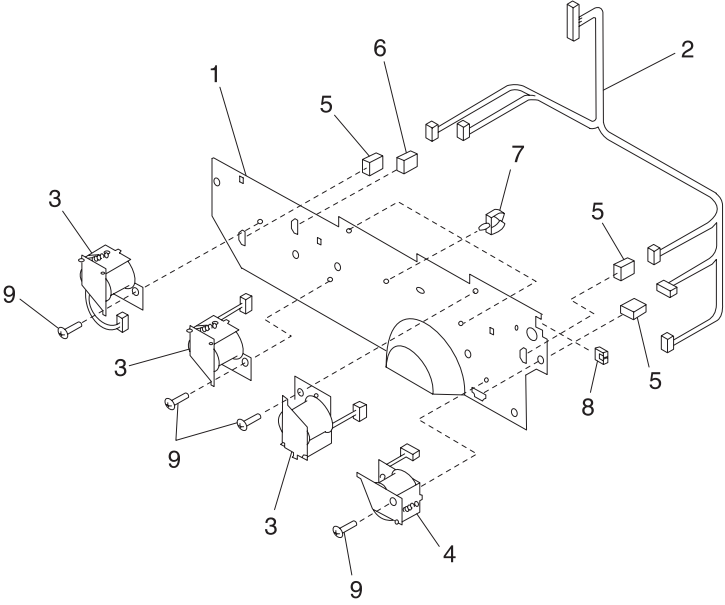
Asm-Index	Part Number	Units	Description
11-1	11A2146	1	Arm, Rocker
-2	11A2147	1	Plate, Insulating Switch
-3	11A2148	1	Mount, Switch Lower
-4	11A2149	1	Plate, Slide
-5	11A2150	1	Cable, Switch
-6	11A2151	1	Switch
-7		1	Spring, PP 11A2354
-8			Screw, PP 11A2340
-9		1	Spring, PP 11A2354
-10	11A2152	1	Arm, Push Upper
-11	11A2153	1	Arm, Push Lower
-12			E-RIng, PP 11A2373

Assembly 12: Ejector Lever



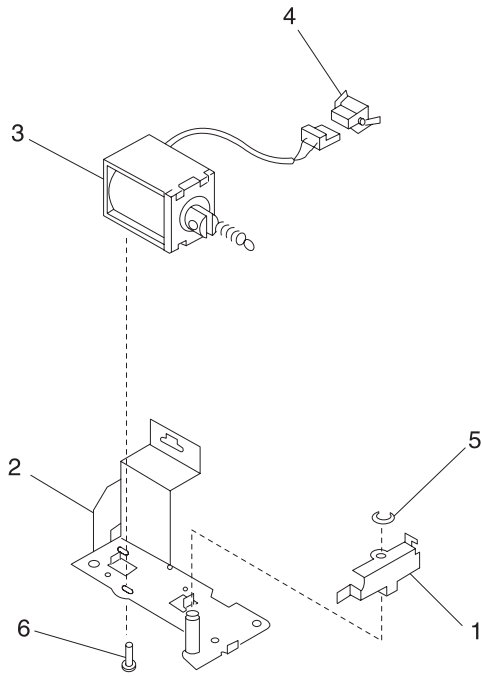
Asm-Index	Part Number	Units	Description
12-1	11A2740	1	Ejector Asm
-2	11A2154	1	•Ejector
-3	11A2155	1	•Guide
-4	11A2156	1	•Hook
-5	11A2157	1	•Oil Damper
-6		1	•Spring, PP 11A2354

Assembly 13: Solenoid Plate



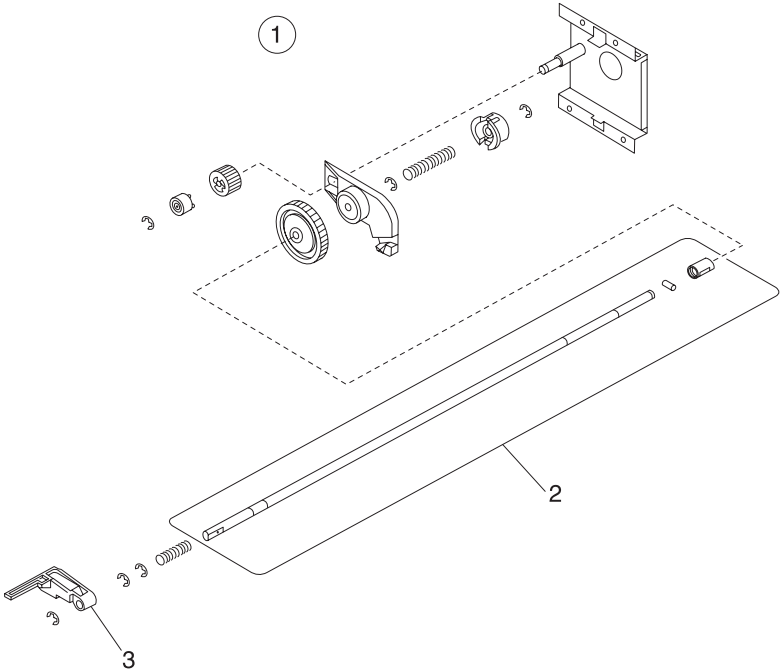
Asm-Index	Part Number	Units	Description
13-1	11A2158	1	Mount, Solenoid
-2	11A2159	1	Cable
-3	11A2160	3	Solenoid
-4	11A2161	1	Solenoid
-5		3	Conn. 2 Pin, PP 11A2389
-6		1	Conn. 3 Pin, PP 11A2389
-7			Clip, PP 11A2389
-8			Clip, PP 11A2389
-9			Screw, PP 11A2331

Assembly 14: Cleaning Belt Drive Solenoid



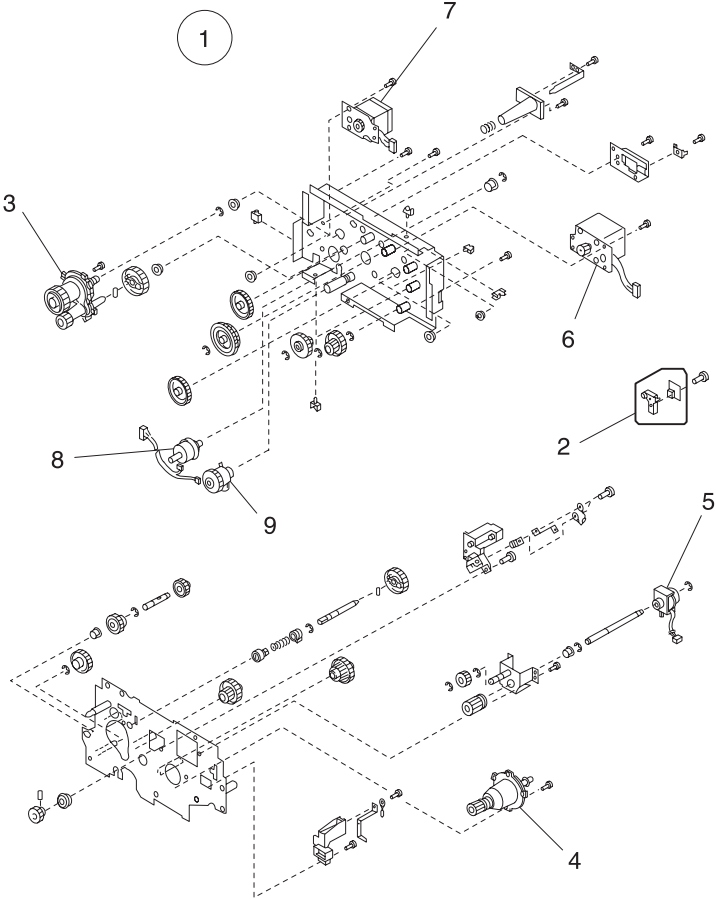
Asm-Index	Part Number	Units	Description
14-1	11A2162	1	Lever, Solenoid
-2	11A2163	1	Mount, Solenoid
-3	11A2164	1	Solenoid
-4		1	Conn. 2 Pin, PP 11A2389
-5			E-Ring, PP 11A2373
-6			Screw, PP 11A2340

Assembly 15: Rotary Manual Feed



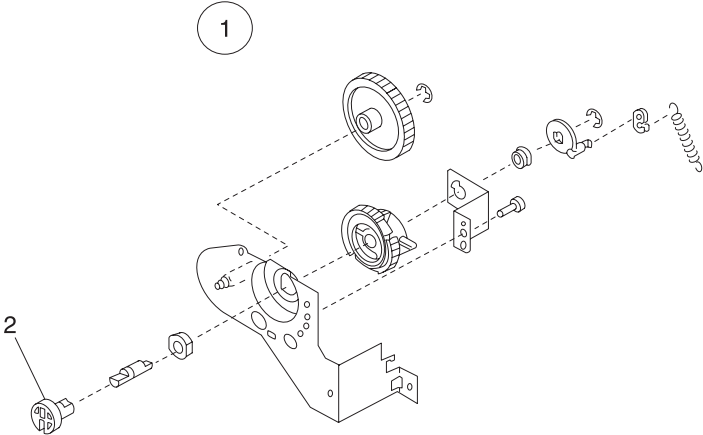
Asm-Index	Part Number	Units	Description
15-1	11A2165	1	Feeder, Rotary Manual Asm
-2	11A2167	1	•Shaft
-3	11A2166	1	•Hook, Lock

Assembly 16: Printer Drive



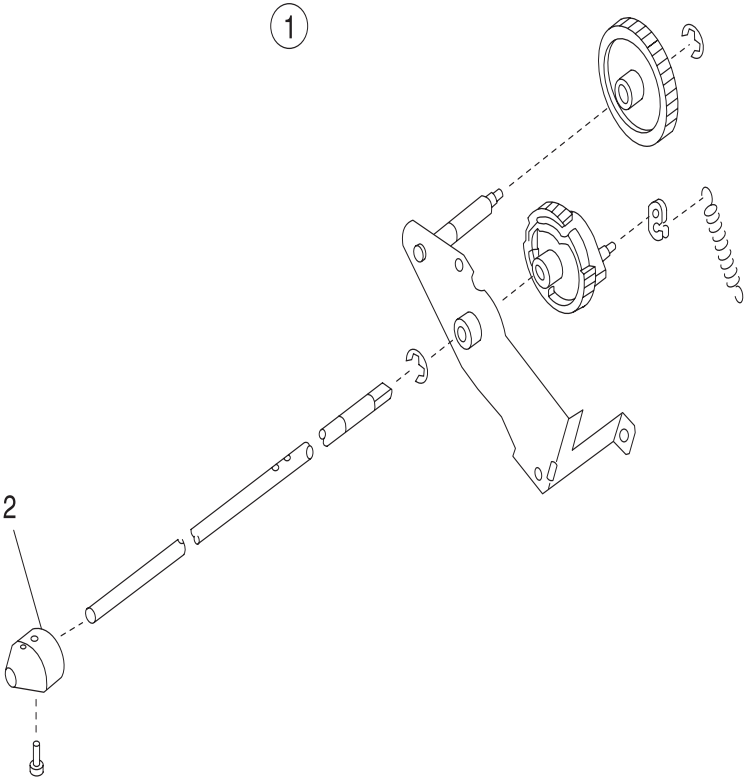
Asm-Index	Part Number	Units	Description
16-1	11A2168	1	Drive Asm complete
-2	11A2169	1	• Toner Empty Sensor (Beam)
-3	11A2170	1	• Bearing Asm, Rotary Unit
-4	11A2171	1	• Bearing Asm, Transfer Drum
-5	11A2172	1	• Clutch Asm, Fuser Drive
-6	11A2173	1	• Motor Asm, Transfer Drum
-7	11A2174	1	• Motor Asm, Rotary Unit
-8	11A2175	1	• Clutch Asm, Rotary Unit
-9	11A2176	1	• Clutch Asm, Brake
-10		1	• Bearing, PP 11A2379

Assembly 17: Transfer Drum Cleaning Drive



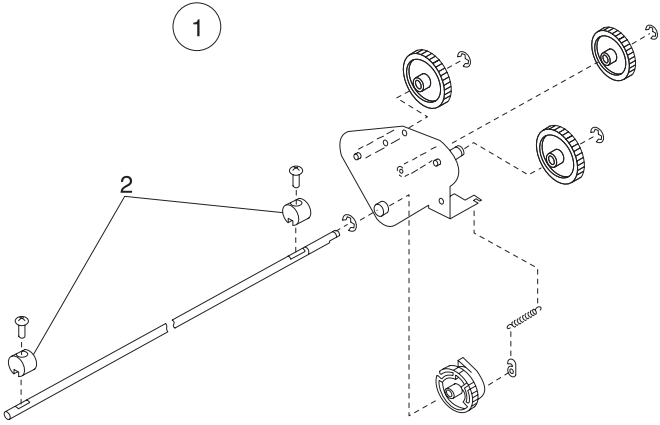
Asm- Index	Part Number	Units	Description
17-1 -2	11A2177 11A2178	1 1	Transfer Drum Clean Drive Asm •Coupler

Assembly 18: Discharge Roller Drive



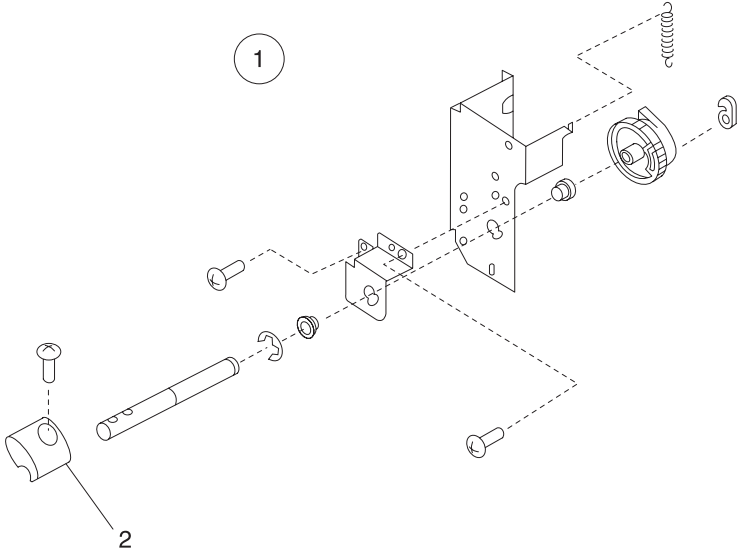
Asm-Index	Part Number	Units	Description
18-1	11A2179	1	Discharge Roller Drive Asm
-2	11A2180	1	•Cam

Assembly 19: Drum Lift



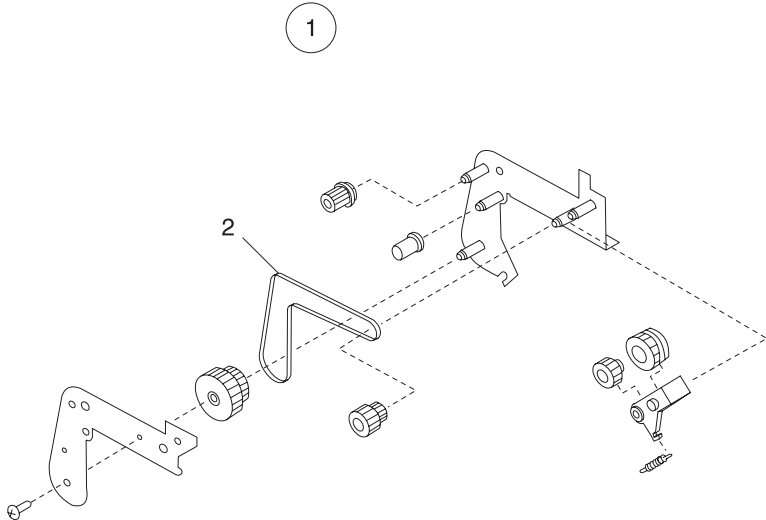
Asm- Index	Part Number	Units	Description
19-1	11A2181	1	Drum Lift Asm
-2	11A2182	2	•Cam

Assembly 20: Attraction Roller Drive



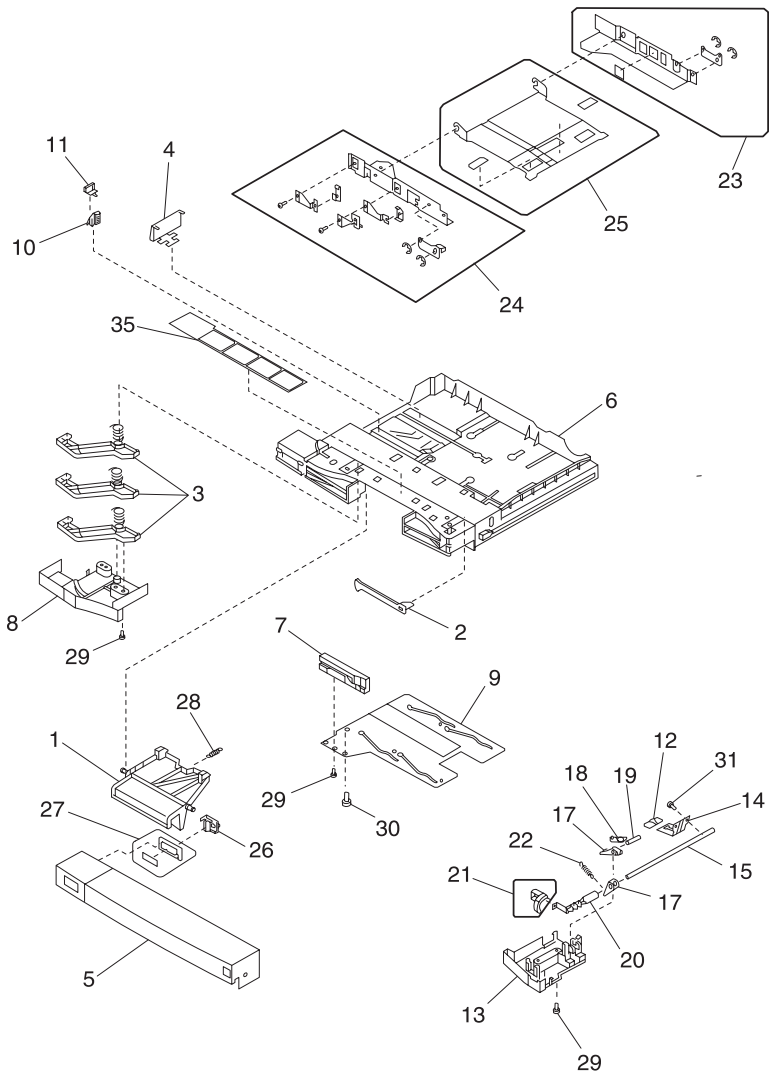
Asm-Index	Part Number	Units	Description
20-1	11A2183	1	Attraction Roller Drive Asm
-2	11A2184	1	•Cam

Assembly 21: Paper Drive



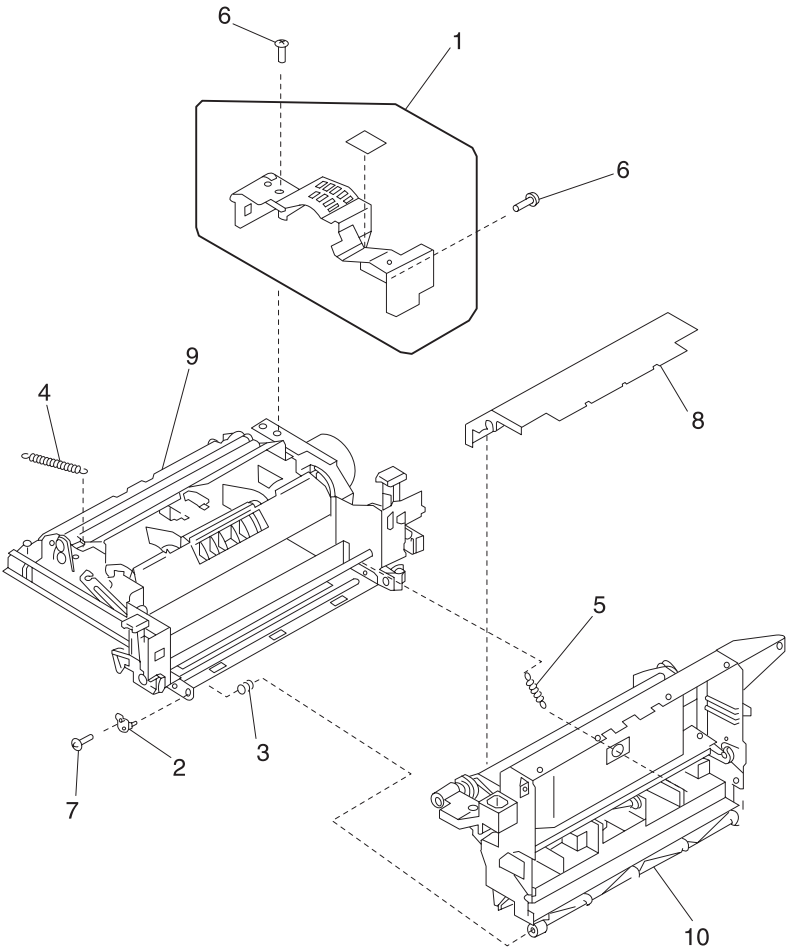
Asm- Index	Part Number	Units	Description
21-1	11A2185	1	Delivery Drive Asm
-2	11A2186	1	• Belt

Assembly 22: Universal Cassette



Asm-Index	Part Number	Units	Description
22-1	11A2187	1	Lever, Release Lock
-2	11A2188	1	Arm, Release
-3	11A2189	3	Lever, Size
-4	11A2190	1	Panel, Limit Rear
-5	11A2191	1	Cover, Cassette
-6	11A2192	1	Body Cassette
-7	11A2193	1	Cam, Size
-8	11A2194	1	Cover, Size
-9	11A2195	1	Plate, Cam
-10	11A2196	1	Button, Release
-11	11A2197	1	Cover, Release
-12	11A2198	1	Cap, Lifting
-13	11A2199	1	Cover, Lower
-14	11A2200	1	Plate
-15	11A2201	1	Rod
-16	11A2202	1	Lever, Rod
-17	11A2203	1	Lever, Tension
-18	11A2204	1	Block, Pressure
-19	11A2205	1	Shaft, Tension
-20	11A2206	1	Arm, Sensor
-21	11A2207	1	Block, Display Asm
-22		1	Spring, PP 11A2354
-23	11A2208	1	Plate, Rear Asm
-24	11A2209	1	Plate, Front Asm
-25	11A2210	1	Plate, Lift Asm
-26	11A2211	1	Knob, Size
-27	11A2212	1	Plate, Size
-28		1	Spring, PP 11A2354
-29		1	Screw, PP 11A2331
-30		1	Screw, PP 11A2340
-31		1	Screw, PP 11A2331
-32	11A2730	3	Spring, Lever
-35	11A2728	1	Label, Universal

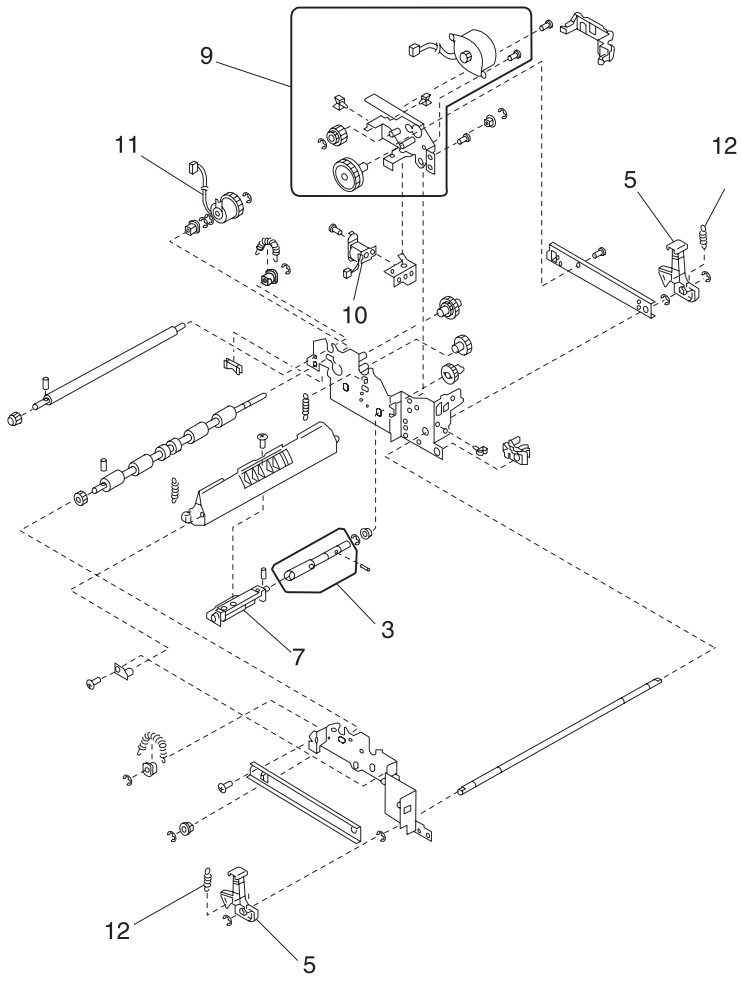
Assembly 23: Paper Pickup



Asm-Index	Part Number	Units	Description
23-1	11A2213	1	Cover, Motor
-2	11A2214	1	Mount, Pivot
-3		1	Spring, PP 11A2364
-4		1	Spring, PP 11A2364
-5		1	Spring, PP 11A2364
-6		1	Screw, PP 11A2331
-7		1	Screw, PP 11A2331
-8	11A2215	1	Cover
-9			See "Cassette Paper Pickup Asm" on page 7-48
-10			See "Multipurpose Feeder Pickup Asm" on page 7-52

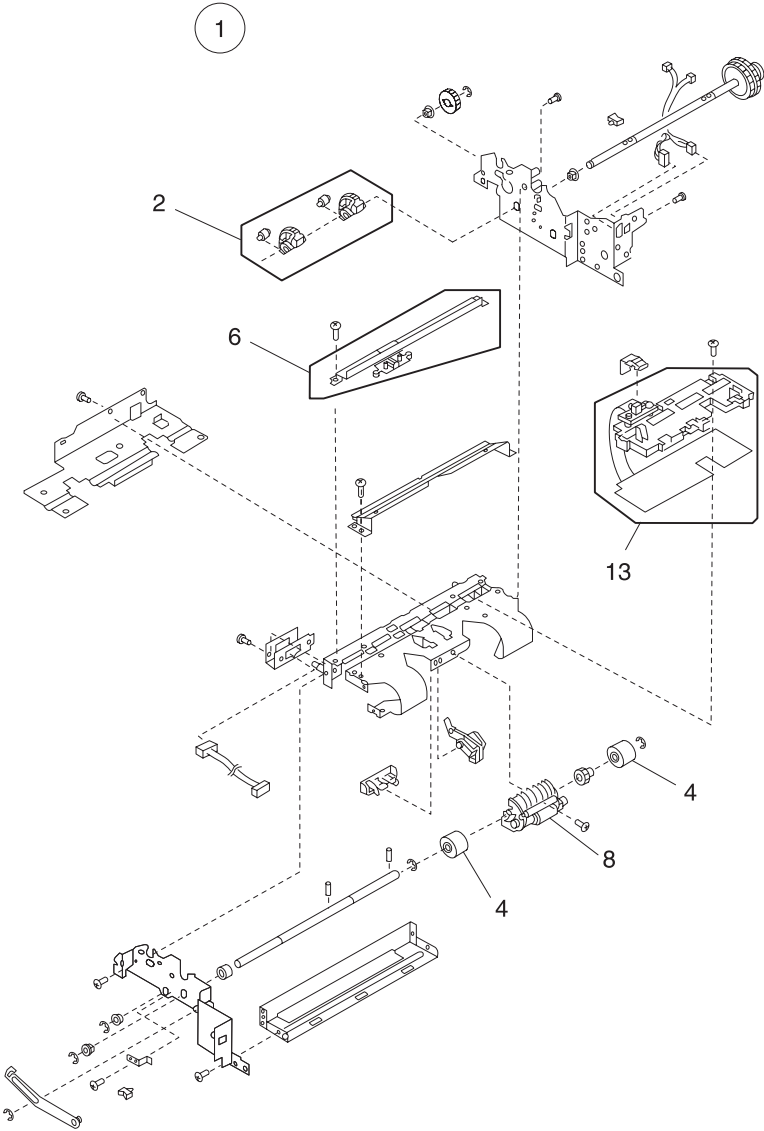
Assembly 24: Cassette Paper Pickup Asm

1



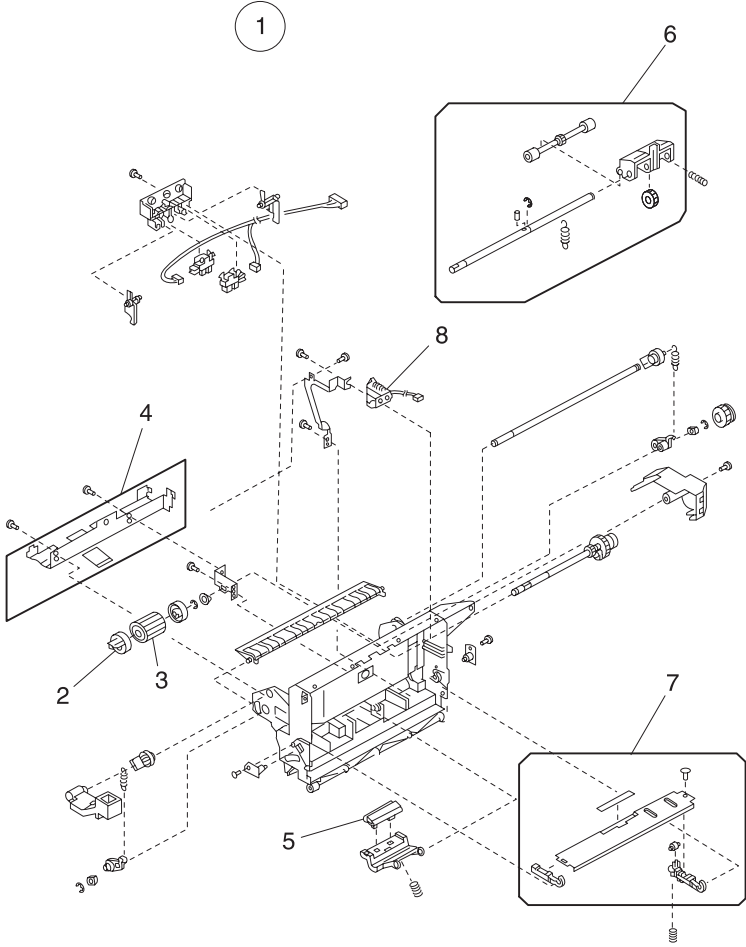
Asm-Index	Part Number	Units	Description
24-1	11A2216	1	Cassette Paper Pickup Asm
-3	11A2219	1	•Shaft Asm
-5	11A2221	2	•Lever, Lock Slide
-7	11A2223	1	•Roller, Asm Rear
-9	11A2225	1	•Motor, Paper Pickup Asm
-10	11A2226	1	•Solenoid
-11	11A2227	1	•Clutch
-12			•Spring, Lever Lock, PP 11A2364

Assembly 24: Paper Pickup Cassette (cont.)



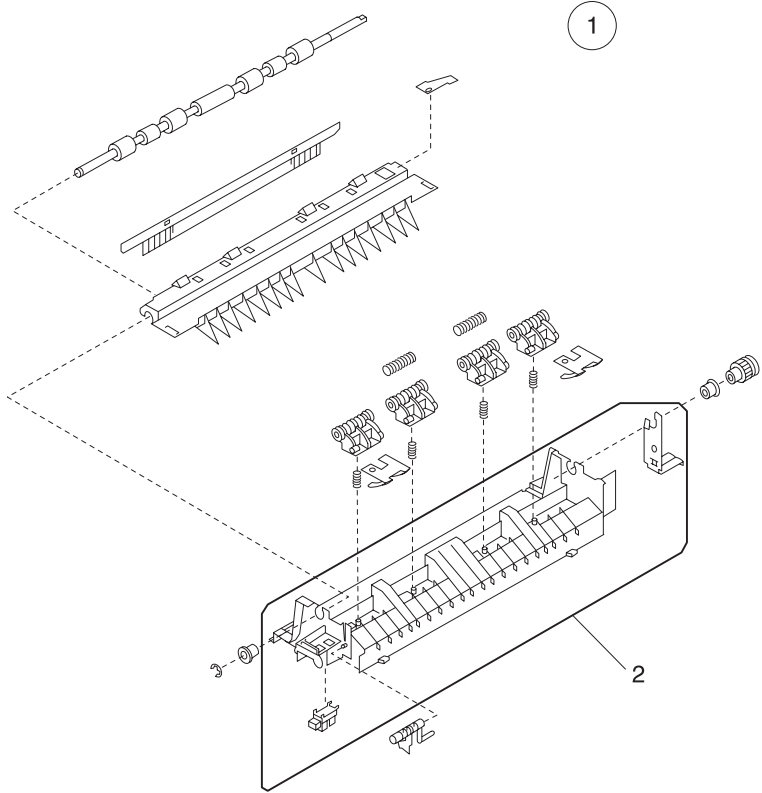
Asm-Index	Part Number	Units	Description
24-1	11A2216	1	Cassette Paper Pickup Asm
-2	11A2218	1	•Roller Asm
-4	11A2220	2	•Roller
-6	11A2222	1	•Guide Asm
-8	11A2224	1	•Roller Asm
-13	11A2228	1	•PCB Paper Pickup Asm

Assembly 25: Multipurpose Feeder Pickup Asm



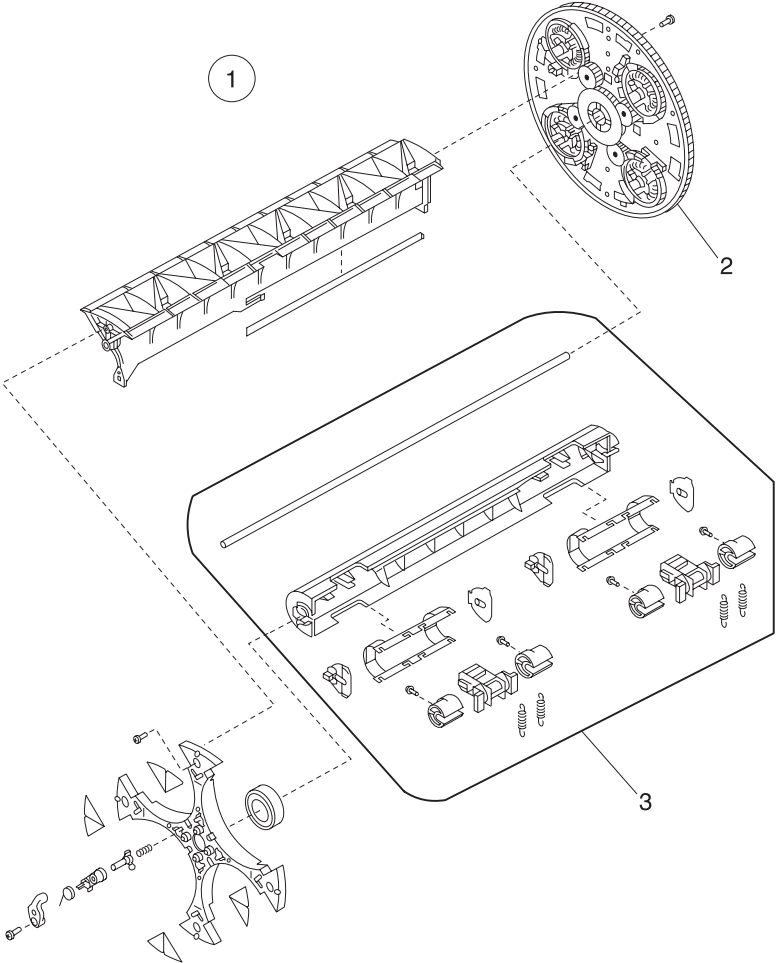
Asm-Index	Part Number	Units	Description
25-1	11A2217	1	Multipurpose Paper Pickup Asm
-2	11A2229	1	• Clip, Roller
-3	11A2230	1	• Roller, Pickup
-4	11A2231	1	• Guide, Upper Asm
-5	11A2232	1	• Pad, Main
-6	11A2233	1	• Roller, U-turn Asm
-7	11A2234	1	• Base Asm
-8	11A2235	1	• Solenoid
-9	11A2117	2	• Sensor

Assembly 26: Paper, Side Exit Asm



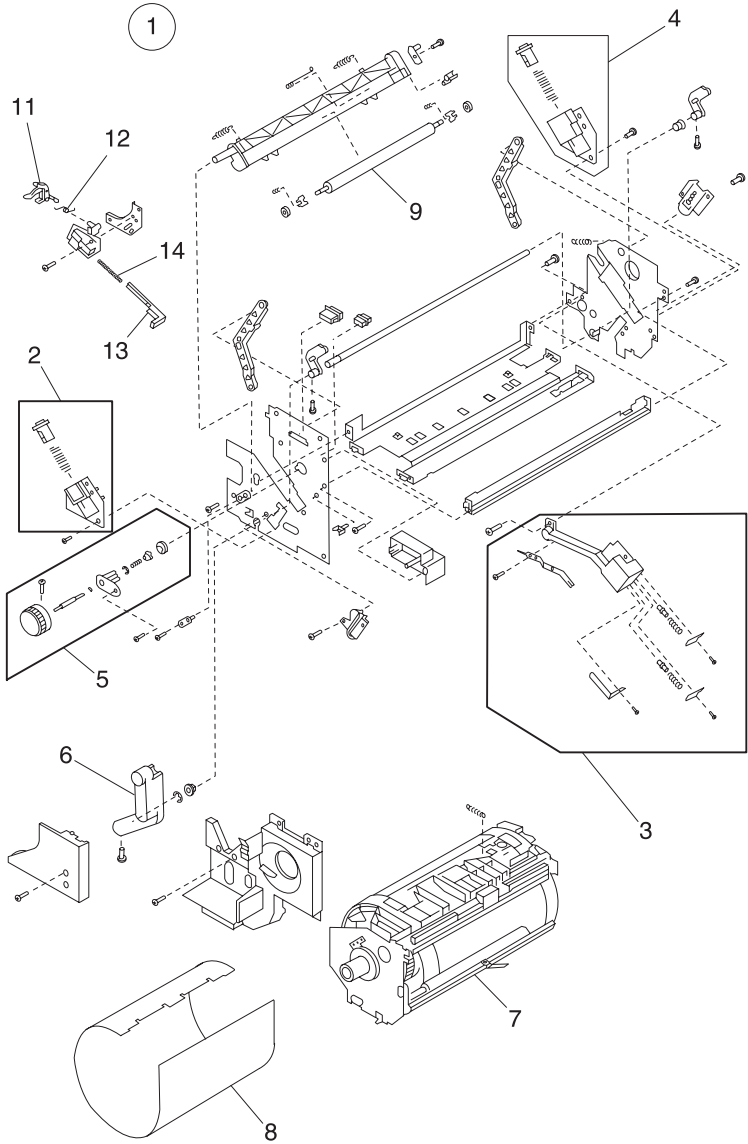
Asm-Index	Part Number	Units	Description
26-1	11A2236	1	Delivery Asm
-2	11A2237	1	<ul style="list-style-type: none"> • Frame Asm, Without Rollers
-3	11A2117	1	<ul style="list-style-type: none"> • Sensor, Cleaning Belt

Assembly 27: Developing Rotary Asm



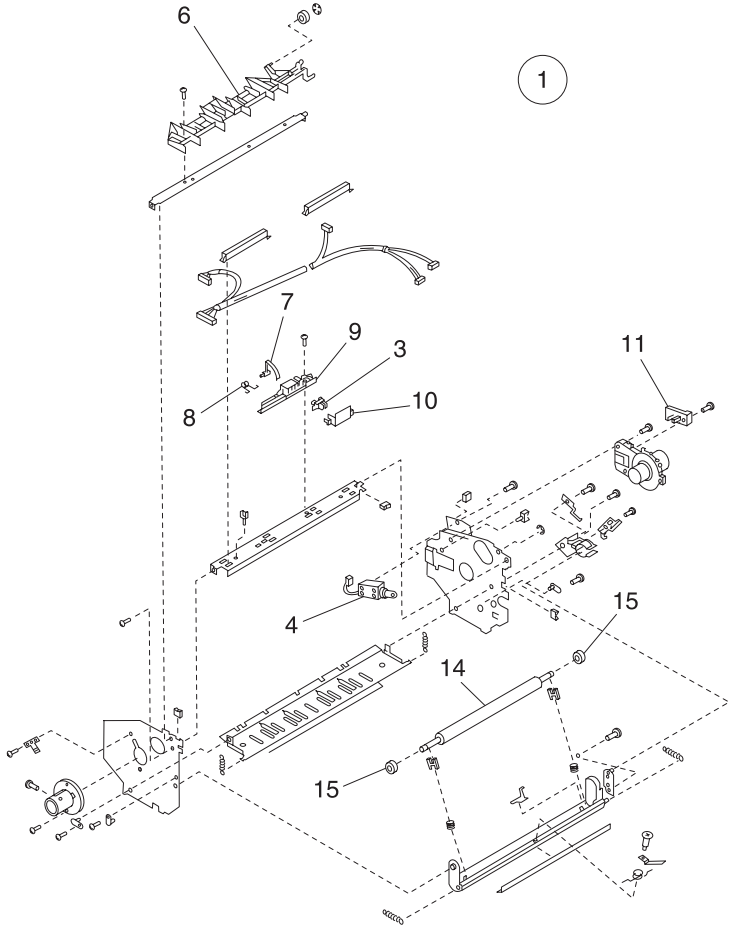
Asm-Index	Part Number	Units	Description
27-1	11A2238	1	Rotary Asm
-2	11A2239	1	•Rotary Disc
-3	11A2240	1	•Rotary Center Asm

Assembly 28: Transfer Drum Mounting Asm



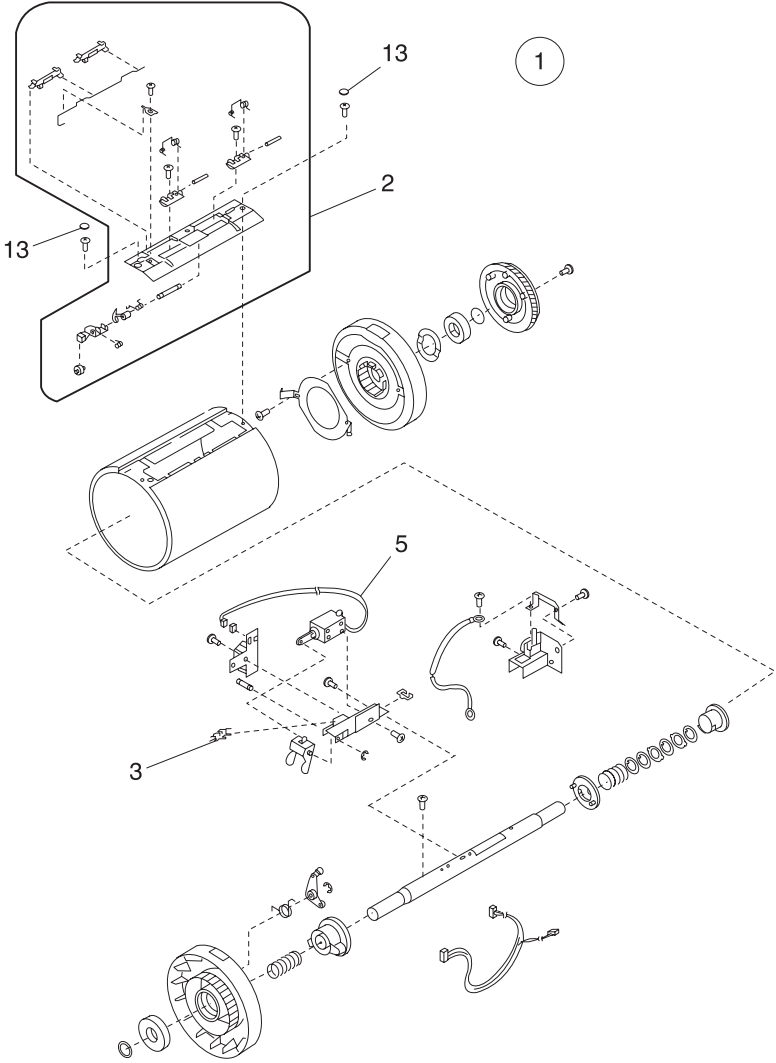
Asm-Index	Part Number	Units	Description
28-1	11A2241	1	Transfer Drum Holder Asm
-2	11A2243	1	•Slide, Front Asm
-3	11A2244	1	•Contact, HV Asm
-4	11A2245	1	•Slide, Rear Asm
-5	11A2246	1	•Knob, Manual Asm
-6	11A2242	1	•Lever, Operation
-7			•“Transfer Drum” on page 7-60
-8	11A2415	1	Sheet, Transfer Drum
-9	11A2703	1	Roller, Attraction
-10	11A2704	1	Brkt., Used Toner Sensor
-11	11A2705	1	Arm, Lock, Used Toner
-12			Spring, PP 11A2364
-13	11A2707	1	Arm, Lock, Cartridge
-14			Spring, PP 11A2364

Assembly 29: Transfer Drum



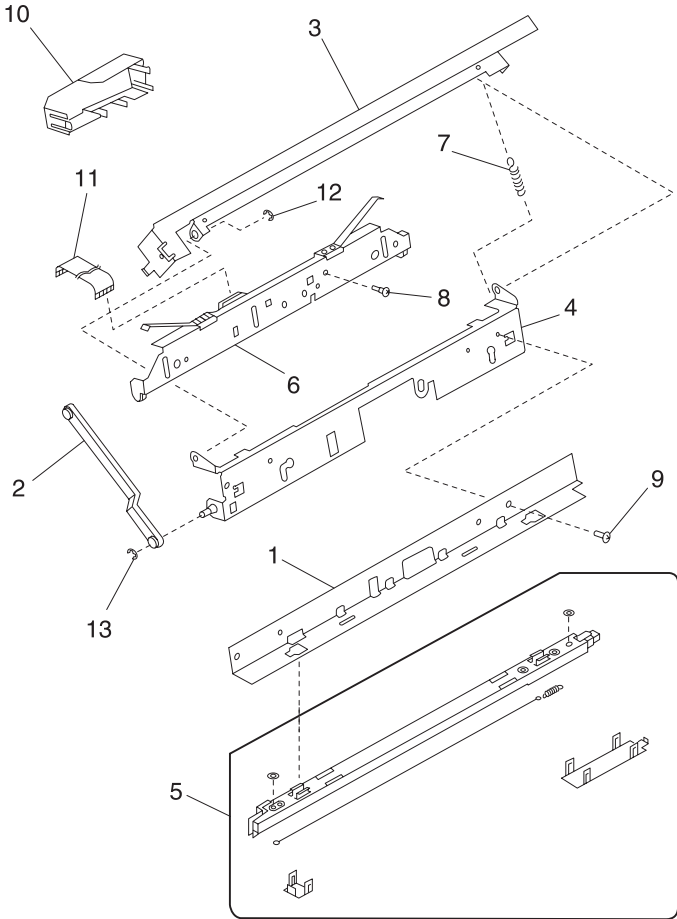
Asm-Index	Part Number	Units	Description
29-1	11A2247	1	Drum, Transfer Asm
-3	11A2117	1	•Sensor
-4	11A2700	1	•Solenoid
-6	11A2702	1	•Claw, Separation
-7	11A2709	1	•Arm, Sensing
-8			•Spring, PP 11A2354
-9	11A2711	1	•Cover, Sensor
-10	11A2712	1	•Cover, Sensor
-11	11A2116	1	•Sensor
-14	11A2454	1	•Roller, Discharge
-15	11A2452	2	•Roller, Static

Assembly 29: Transfer Drum (Cont.)



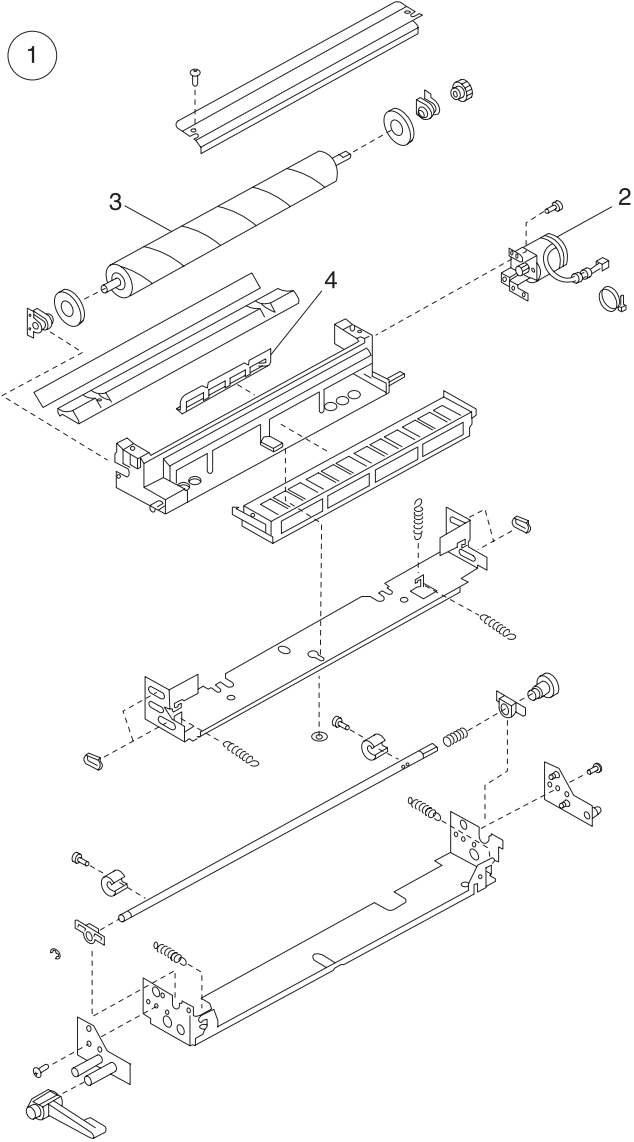
Asm-Index	Part Number	Units	Description
29-1	11A2247	1	Drum, Transfer Asm
-2	11A2248	1	• Gripper, Paper Asm
-3	11A2117	1	• Sensor
-5	11A2701	1	• Solenoid
-13	11A2453	2	• Cap, Plastic

Assembly 30: Density Sensor Asm



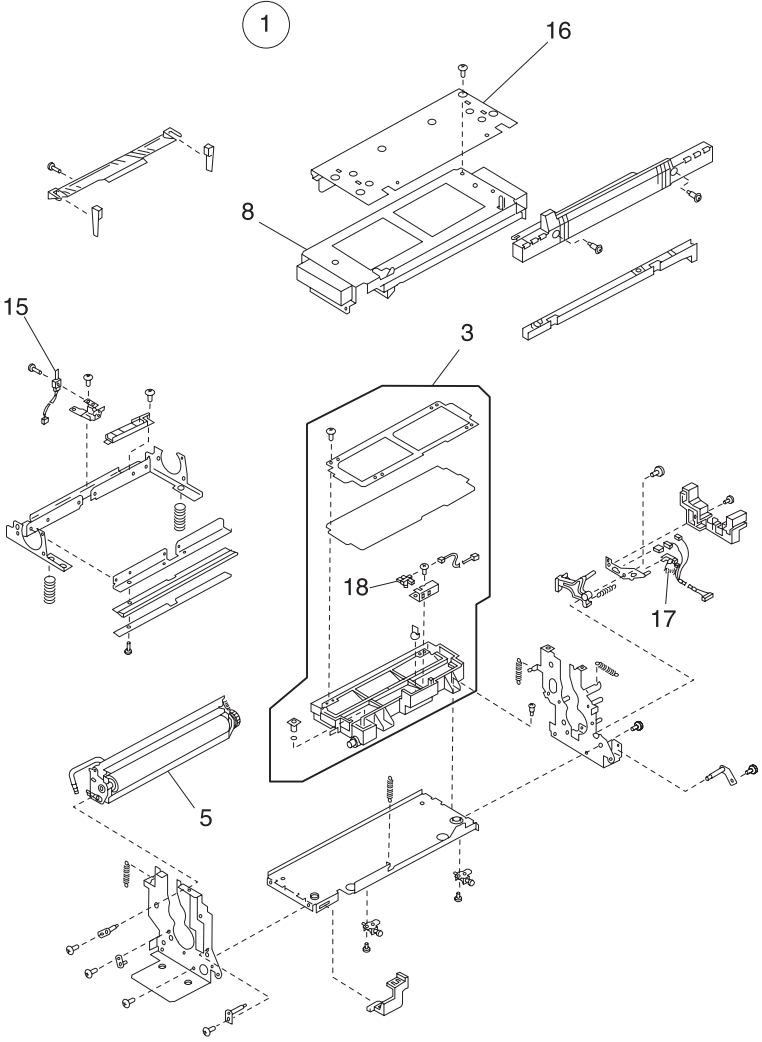
Asm-Index	Part Number	Units	Description
30-1	11A2249	1	Support, Corona
-2	11A2250	1	Link
-3	11A2251	1	Plate Sen/Sep
-4	11A2252	1	Plate, Sensor
-5	11A2253	1	Corona, Separation Asm
-6	11A2254	1	Sensor, Density
-7		1	Spring, PP 11A2364
-8			Screw, PP 11A2340
-9			Screw, PP 11A2331
-10	11A2255	1	Cover
-11	11A2256	1	Cable
-12		1	E-Ring, PP 11A2373
-13		1	E-Ring, PP 11A2373

Assembly 31: Transfer Drum Cleaning



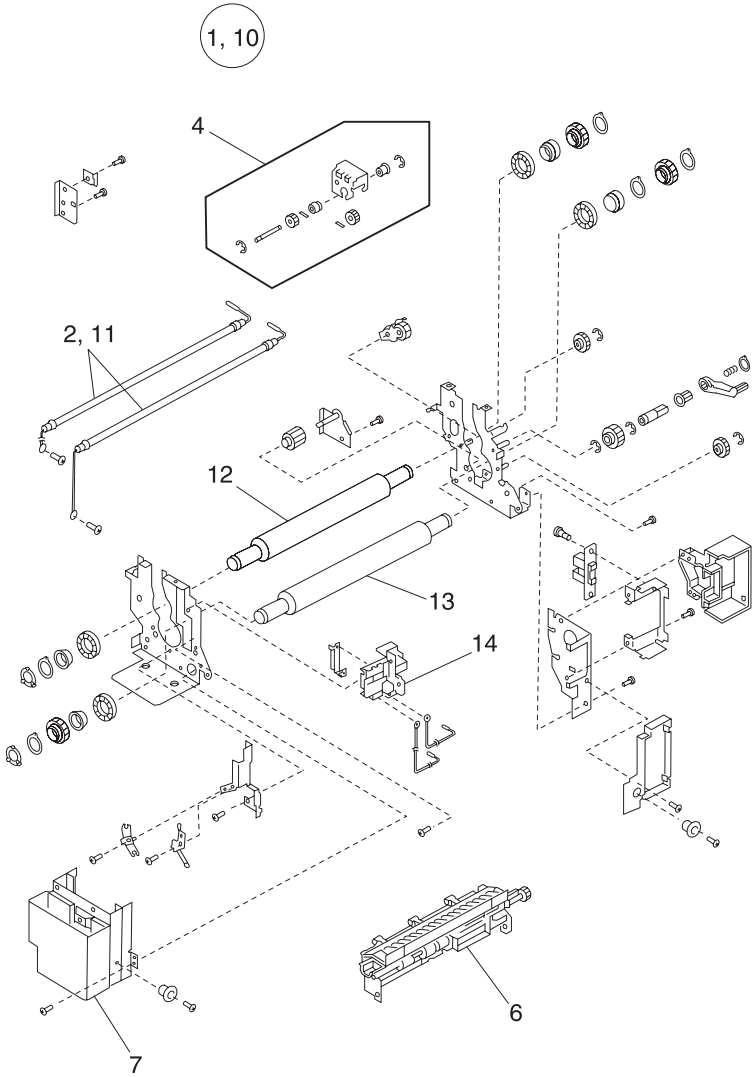
Asm-Index	Part Number	Units	Description
31-1	11A2257	1	Transfer Drum Clean Asm
-2	11A2259	1	•Motor
-3	11A2258	1	•Brush
-4	11A2732	1	•Blade

Assembly 32: Fuser



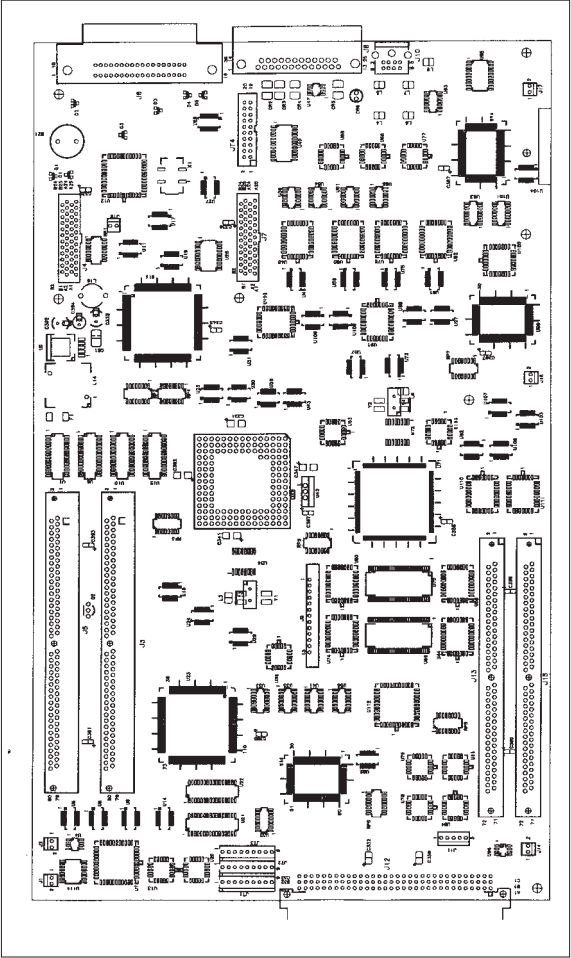
Asm-Index	Part Number	Units	Description
32-1	11A2260	1	Fuser 110 V Asm
-3	11A2267	1	• Oil Tray Asm
-5	11A2270	1	• Fuser Oil Apply Asm
-8	11A2271	1	• Fuser Cleaner Asm
-10	11A2261	1	• Fuser Asm 220 V
-15	11A2266	1	• Thermistor
-16	11A2733	1	• Cover Asm
-17	11A2117	1	• Sensor, Exit
-18	11A2117	1	• Sensor, Oil Full
-NS	11A2455	1	Oil Syringe (Tool)
-NS	11A2456	1	Oil Bottle (Tool)

Assembly 32: Fuser Asm (Cont.)



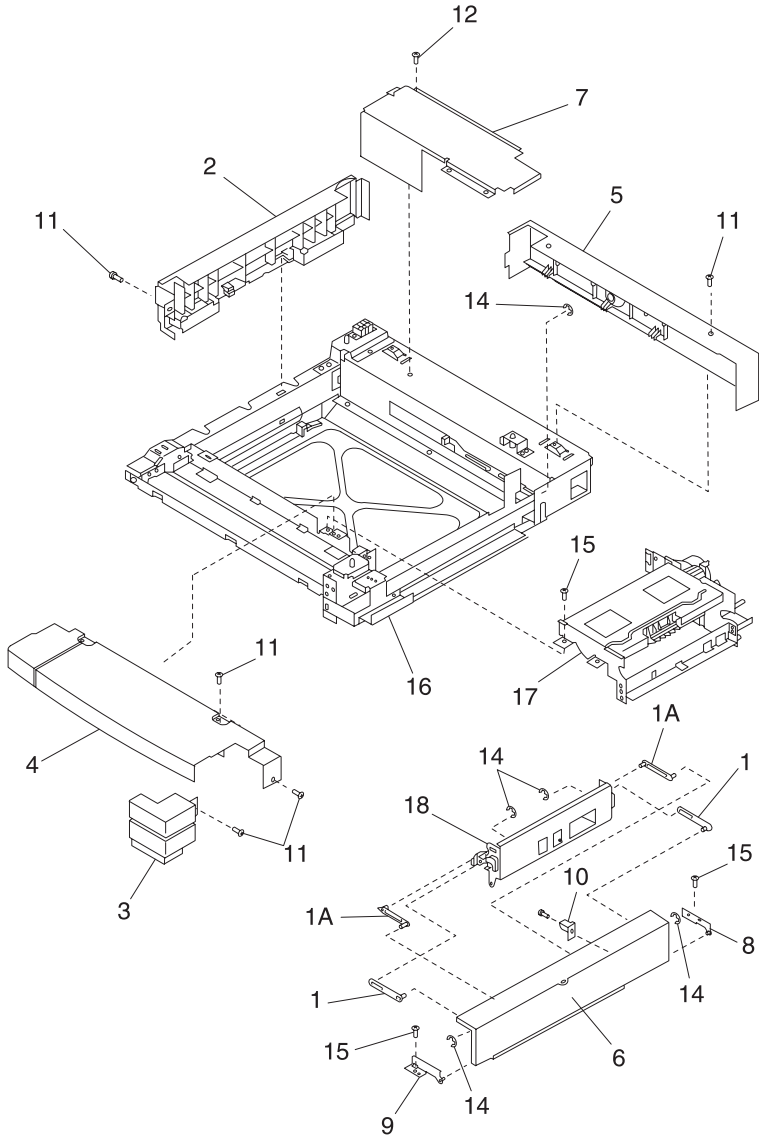
Asm-Index	Part Number	Units	Description
32-1	11A2260	1	Fuser Asm 110 V
-2	11A2268	2	•Lamp 110 V
-4	11A2265	1	•Oil Applying Input Asm
-6	11A2273	1	•Fuser Delivery Asm
-7	11A2274	1	•Oil Bottle Case Asm
-10	11A2261	1	Fuser 220 V Asm
-11	11A2269	2	•Lamp 220 V
-12	11A2262	1	•Roller, Upper
-13	11A2263	1	•Roller, Lower
-14	11A2264	1	•Thermo Switch

Assembly 33: Video Controller Board



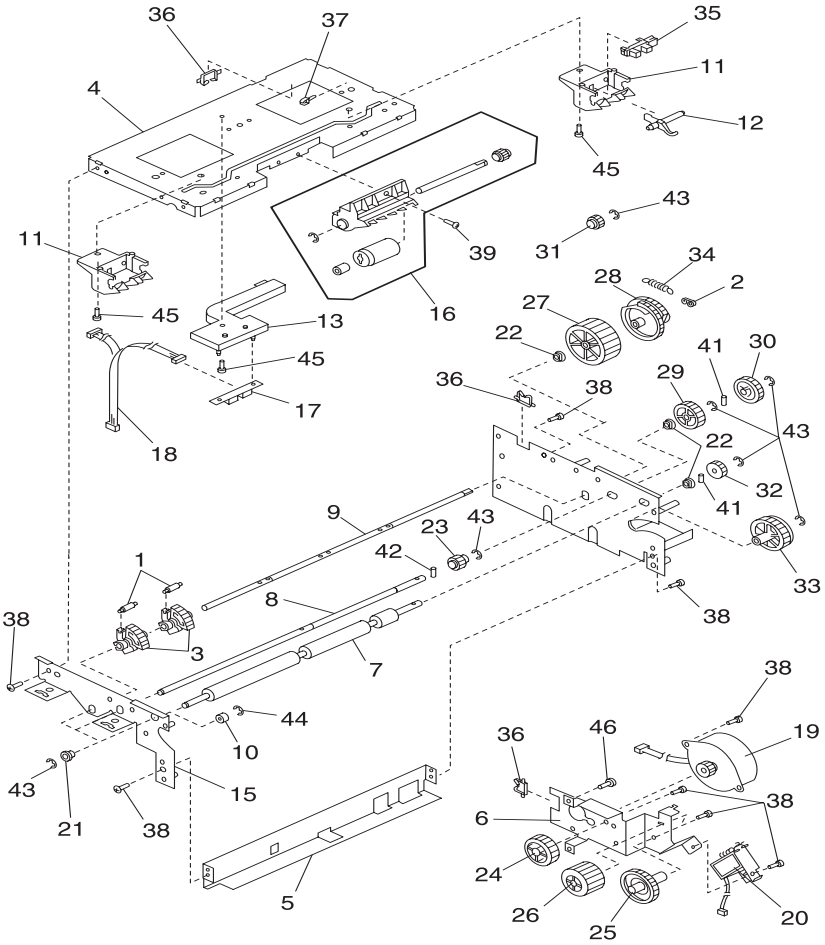
Asm-Index	Part Number	Units	Description
33-1	69G3802	1	Video Controller Board
-NS	69G3790	1	ROM SIMM
-NS	1342514	1	Line Cord (US)
-NS	1342536	1	Line Cord (APG-ARG)
-NS	1342543	1	Line Cord (UK)
-NS	1342530	1	Line Cord (Europe)
-NS	1342537	1	Line Cord (Israel)
-NS	1342533	1	Line Cord (Switzerland)
-NS	1342532	1	Line Cord (South Africa)
-NS	1342534	1	Line Cord (Italy)
-NS	1342535	1	Line Cord (Denmark)

Assembly 34: Optional Paper Feeder (Main Body)



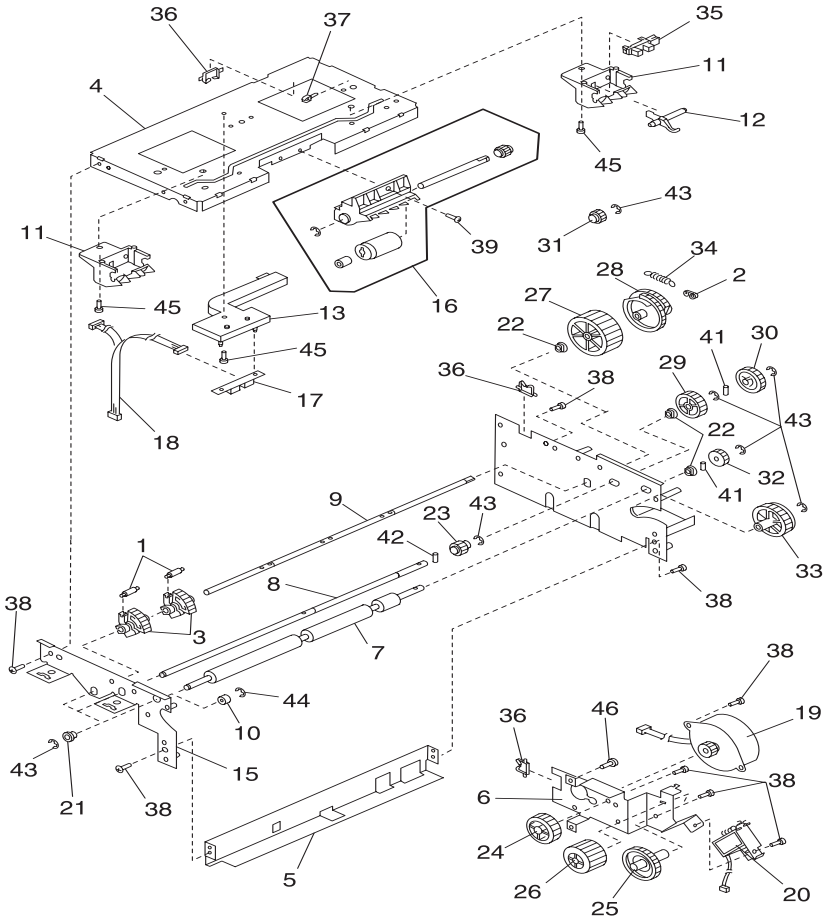
Asm-Index	Part Number	Units	Description
34-1	11A2277	2	Lock Lever Link
-1A	11A2286	2	Link
-2	11A2278	1	Left Cover
-3	11A2279	1	Right Cover
-4	11A2280	1	Front Cover
-5	11A2281	1	Rear Cover
-6	11A2282	1	Cover, Open/Close
-7	11A2283	1	Gear Cover
-8	11A2284	1	Hinge, Cover Right
-9	11A2285	1	Hinge, Cover Left
-10	11A2287	1	Switch Rod Plate
-11			Screw, PP 11A2331
-12			Screw, PP 11A2331
-13			Screw, PP 11A2331
-14		5	E- Ring, PP 11A2373
-15			Screw, PP 11A2331
-16			See "Paper Pickup Asm (Base)" on page 7-80
-17			See "Optional Paper Feeder (Front)" on page 7-76
-18			See "Paper Pickup Asm (Rear)" on page 7-82

Assembly 35: Optional Paper Feeder (Front)



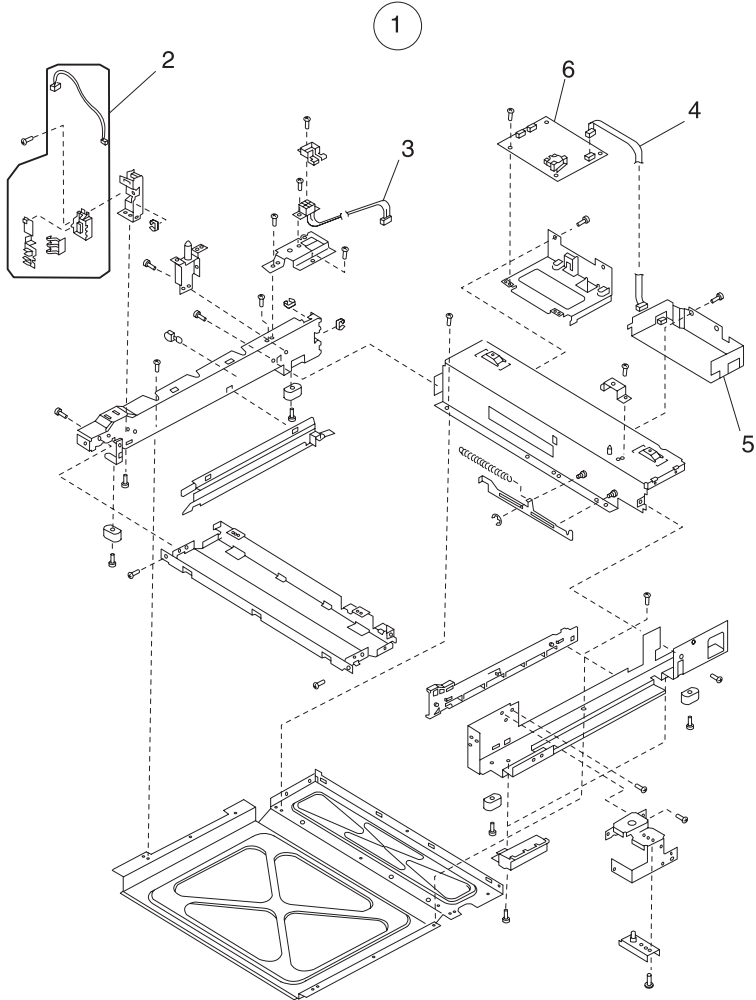
Asm-Index	Part Number	Units	Description
35-1	11A2218	1	Roller Assembly
-2	11A2289	1	Spring Collar
-4	11A2291	1	Plate
-5	11A2292	1	Crossmember
-6	11A2293	1	Motor Mount
-7	11A2294	1	Paper Feed Roller
-8	11A2295	1	Front Drive Roller Shaft
-9	11A2296	1	Pickup Roller Shaft
-10	11A2297	1	Release Roller
-11	11A2298	2	Upper Paper Guide
-12	11A2299	1	Sensor Arm
-13	11A2300	1	Sensor Mount
-14	11A2301	1	Right Pickup Frame
-15	11A2302	1	Left Pickup Frame
-16	11A2303	1	Front Roller Asm
-17	11A2304	1	Photo Sensor PCB
-18	11A2305	1	Photo Sensor Cable
-19	11A2306	1	Motor
-20	11A2307	1	Solenoid
-21		3	Bushing, PP 11A2379
-22		3	Bushing, PP 11A2379

Assembly 35: Optional Paper Feeder (Front)(Cont.)



Asm-Index	Part Number	Units	Description
35-23		1	Gear, PP 11A2402
-24		1	Gear, PP 11A2402
-25		1	Gear, PP 11A2402
-26		1	Gear, PP 11A2402
-27		1	Gear, PP 11A2402
-28		1	Gear, PP 11A2402
-29		1	Gear, PP 11A2402
-30		1	Gear, PP 11A2402
-31		1	Gear, PP 11A2402
-32		1	Gear, PP 11A2402
-33		1	Gear, PP 11A2402
-34		1	Spring, PP 11A2364
-35	11A2117	1	IC / TPL1320, Sensor
-36		3	Cable Clip, PP 11A2389
-37		1	Cable Clip, PP 11A2389
-38			Screw, PP 11A2331
-39			Screw, PP 11A2331
-41		2	Dowel Pin, PP 11A2379
-42		1	Dowel Pin, PP 11A2379
-43		7	E- Ring, PP 11A2373
-44		1	E- Ring, PP 11A2373
-45			Screw, PP 11A2331
-46			Screw, PP 11A2340

Assembly 36: Paper Pickup Asm (Base)



Asm-Index	Part Number	Units	Description
36-1	11A2308	1	Paper Pickup Asm Base
-2	11A2309	1	•Cassette Size Sensor Asm
-3	11A2310	1	•Cable
-4	11A2311	1	•Power Supply Cable
-5	11A2312	1	•Power Supply PCB
-6	11A2414	1	•Paper Feed PCB

Asm-Index	Part Number	Units	Description
37-1	11A2313	1	Paper Pickup Asm Rear
-2	11A2314	1	•Lock Lever, Right
-3	11A2315	1	•Lock Lever, Left
-4	11A2316	1	•Rear Roller Asm
-5	11A2317	2	•Roller
-6	11A2318	2	•Roller Holder
-7		2	•Spring, PP 11A2364
-8		2	•Latch Spring, PP 11A2364
-13			•Screw, PP 11A2331

Assembly 38: Options

Asm-Index	Part Number	Units	Description
	1364921		Memory SIMM 2MB
	1364877		Memory SIMM 4MB
	1364876		Memory SIMM 8MB *
	1364875		Memory SIMM 16MB
	1364874		Memory SIMM 32MB
	1364923		Flash Memory 1MB
	1364922		Flash Memory 2MB
	1364879		Flash Memory 4MB
	1364873		Hard Drive 40MB
	1381856		Hard Drive 100M
	1402217		Token-Ring
	1402218		Ethernet 10BASE T
	1446702		Ethernet 10BASE2

* Standard, works in either slot.