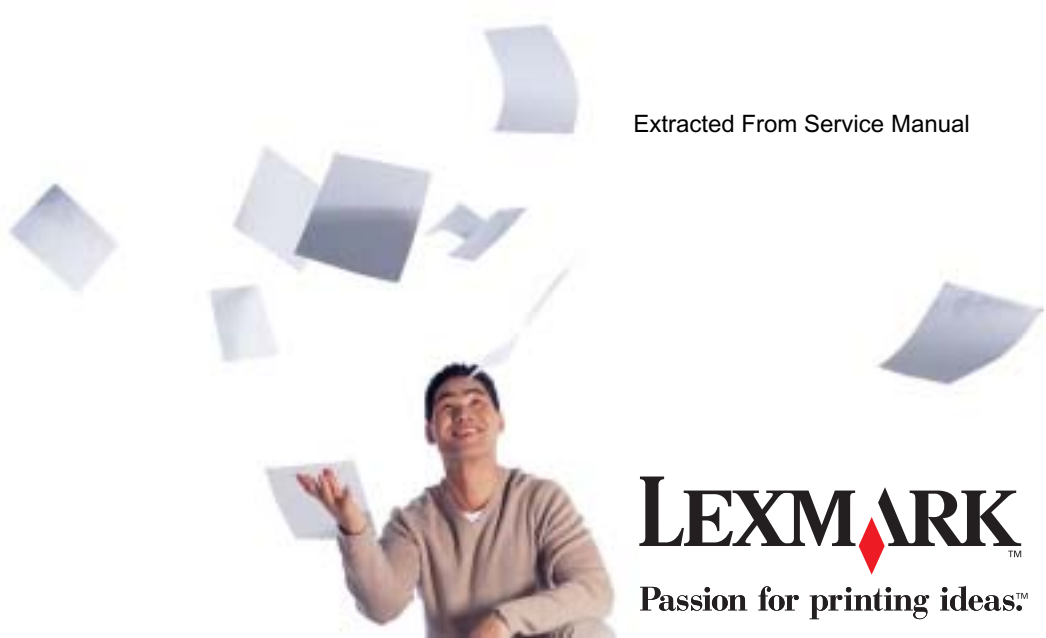


Parts Breakdown

Lexmark 4226 Printer

4226-XXX

Extracted From Service Manual



LEXMARK
Passion for printing ideas.™

First Edition (May, 1997)

The Following Paragraph Does Not Apply To The United Kingdom Or Any Country Where Such Provisions Are Inconsistent With Local Law: LEXMARK INTERNATIONAL, INC. PROVIDES THIS PUBLICATION "AS IS" WITHOUT WARRANTY OF ANY KIND, EITHER EXPRESS OR IMPLIED, INCLUDING, BUT NOT LIMITED TO, THE IMPLIED WARRANTIES OF MERCHANTABILITY OR FITNESS FOR A PARTICULAR PURPOSE. Some states do not allow disclaimer of express or implied warranties in certain transactions, therefore, this statement may not apply to you.

This publication could include technical inaccuracies or typographical errors. Changes are periodically made to the information herein; these changes will be incorporated in later editions of the publication. Improvements or changes in the products or the programs described in this publication may be made at any time. Publications are not stocked at the address given below; requests for publications should be made to your point of purchase.

Comments may be addressed to Lexmark International, Inc., Department D22A/035-3, 740 New Circle Road NW, Lexington, Kentucky 40550, U.S.A. Lexmark may use or distribute any of the information you supply in any way it believes appropriate without incurring any obligation to you.

Lexmark is a trademark of Lexmark International, Inc., registered in the United States and/or other countries.

Other trademarks are the property of their respective owners

**© Copyright Lexmark International, Inc. 1991, 1997
All rights reserved.**

UNITED STATES GOVERNMENT RESTRICTED RIGHTS

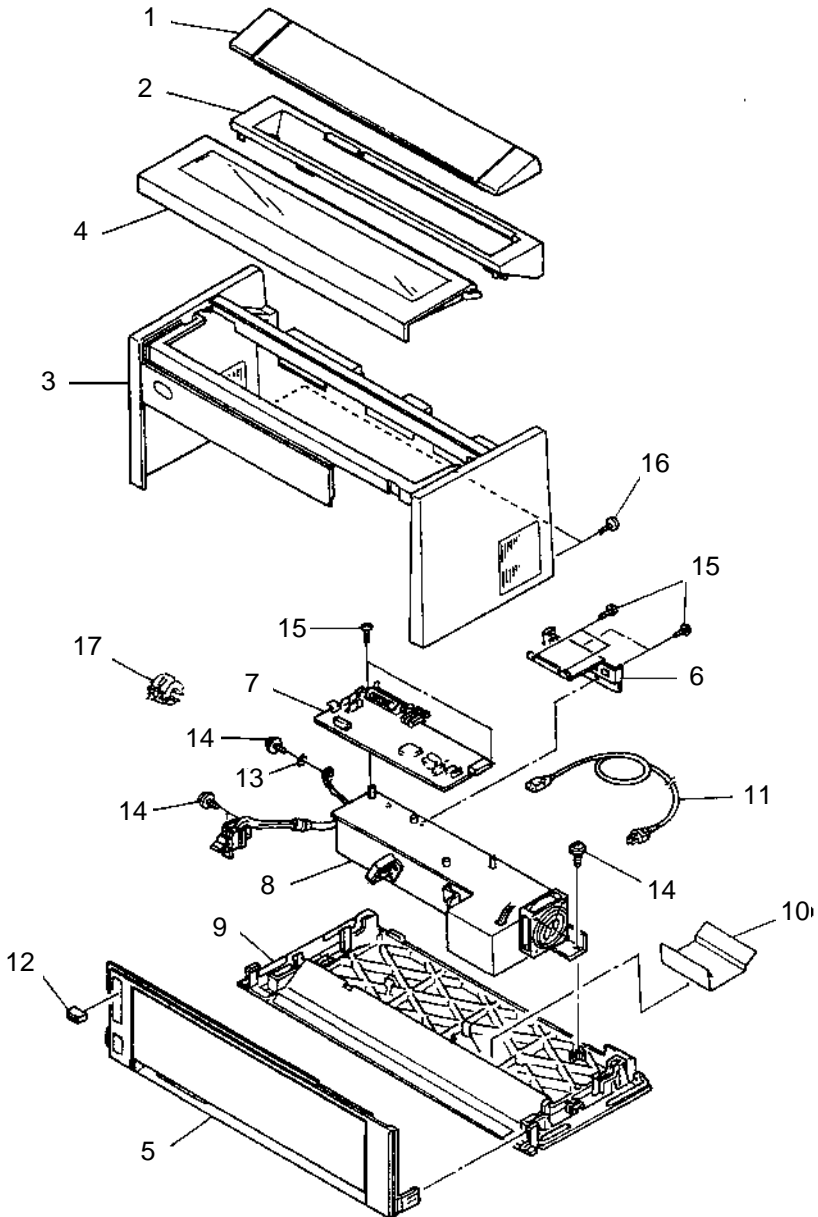
This software and documentation are provided with RESTRICTED RIGHTS. Use, duplication or disclosure by the Government is subject to restrictions as set forth in subparagraph (c)(1)(ii) of the Rights in Technical Data and Computer Software clause at DFARS 252.227-7013 and in applicable FAR provisions: Lexmark International, Inc., Lexington, KY 40550.

7. Parts Catalog

How to Use This Parts Catalog

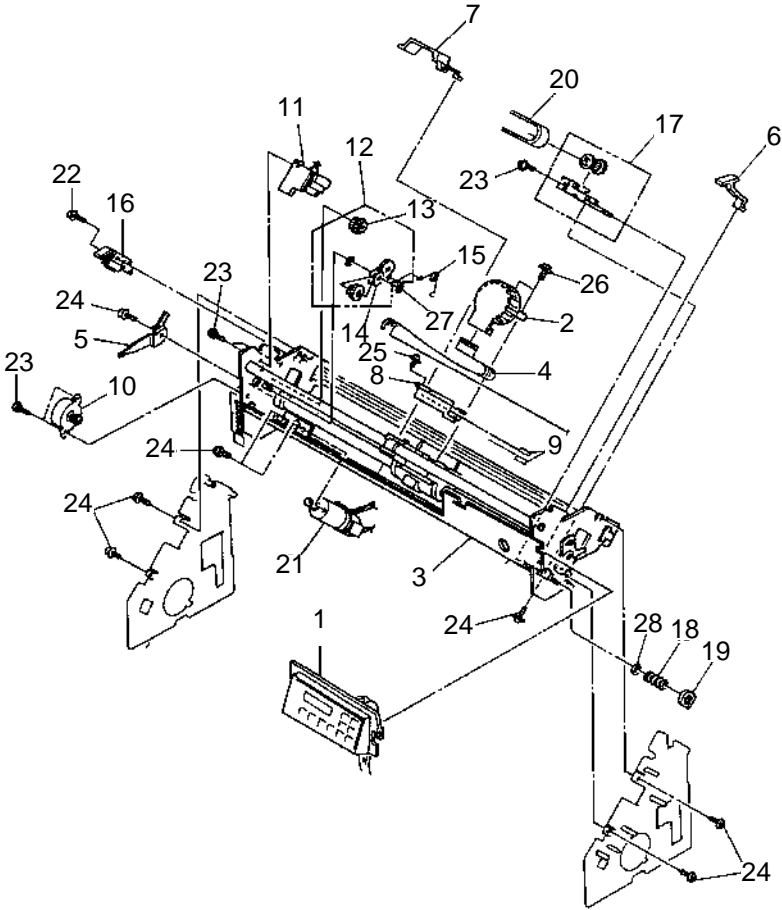
- **SIMILAR ASSEMBLIES:** If two assemblies contain a majority of identical parts, they are broken down on the same list. Common parts are shown by one index number. Parts peculiar to one or the other of the assemblies are listed separately and identified by description.
- **AR: (As Required)** in the Units column indicates that the quantity is not the same for all machines.
- **NP: (Non-Procurable)** in the Units column indicates that the part is non-procurable and that the individual parts or the next higher assembly should be ordered.
- **NR: (Not Recommended)** in the Units column indicates that the part is procurable but not recommended for field replacement, and that the next higher assembly should be ordered.
- **R: (Restricted)** in the Units column indicates that the part has a restricted availability.
- **NS: (Not Shown)** in the Asm-Index column indicates that the part is procurable but is not pictured in the illustration.
- **PP: (Parts Packet)** in the Description column indicates that the part is contained in a parts packet.

Assembly 1: Cover and Electrical Parts



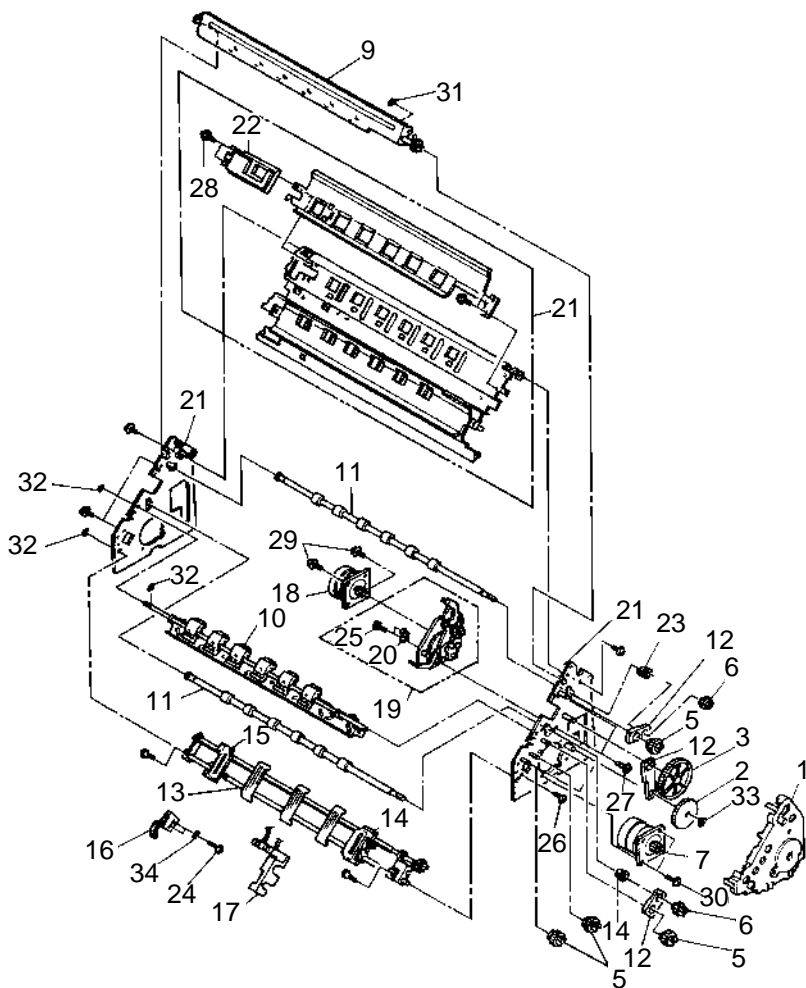
Asm-Index	Part Number	Description
1 -1	79F4485	Rear Hood
2	79F4459	Rear Guide
3	79F4486	Top Cover
4	79F4487	Access Cover
5	79F4458	Front Cover
6	79F4457	Logic Board Cover
7	1368257	Logic Board
NS	1368145	EPROM Kit with 3.17 Version Only
NS	1368256	EPROM Kit 3.18 CGROM 1.47
8	79F4405	Power Supply
9	79F4431	Bottom Plate Assembly
10	38F7682	Ground Plate
11	6952301	Power Cord US, Canada
11	6952300	Power Cord - LV (Central, South America, Asia)
11	1838574	Power Cord - LV (Central, S. America, Philippines)
11	7842123	Power Cord - HV (Mexico)
11	6952291	Power Cord - HV (Argentina and Paraguay)
11	14F0069	Power Cord - HV (Chile and Italy)
11	14F0033	Power Cord - HV (Malaysia, Singapore and UK)
11	13F9979	Power Cord - HV (Indonesia and Europe)
11	14F0087	Power Cord - HV (Israel)
11	6952311	Power Cord - HV (Australia and New Zealand)
11	13F9997	Power Cord - HV (Denmark)
11	14F0051	Power Cord - HV (Switzerland)
12	39F5672	Knob - Gap Lever
13	95F3990	Washer (M4) - Parts Packet
14	95F3990	Screw (M4x8) - Parts Packet
15	95F3990	Screw (M3x6) - Parts Packet
16	95F3990	Screw (M4x8) - Parts Packet
17	95F3991	Cable Core

Assembly 2: Print Unit



Asm- Index	Part Number	Description
2 -1	79F4460	Operator Panel Asm w/ English Overlay
1	79F4461	Operator Panel Asm w/ set of Overlay Labels
2	23F2950	Printhead
3	1180941	Carrier Frame Assembly
4	79F4454	Printhead Cable
5	79F4480	Forms Thickness Lever
6	09F5857	Clamp - Head Cable RBN
7	38F5715	Clamp - Head Cable FPC
8	79F4452	Bracket - Head Cable
9	79F4455	Tab - Head Cable
10	79F4447	Ribbon Drive Motor
11	79F4448	Ribbon Drive Assembly
12	79F4462	Gears B/M - Ribbon Drive
13	79F4449	Gear - R/D Double
14	79F4450	Gear - R/D Planet
15	79F4451	Spring - Planet Gear
16	79F4445	Gap Position Sensor Assembly
17	38F5739	Tension Pulley Assembly
18	79F4453	Tension Spring
19	38F5671	Retainer - Tension Spring
20	56F8193	Carrier Drive Belt
21	79F4456	Carrier Motor Assembly
22 - 26	95F3990	Screw Parts Packet
27	95F3990	C-Clip (E3) parts Packet
28	95F3990	Washer - Tension Adjustment Parts Packet

Assembly 3: Feed Unit



Asm-Index	Part Number	Description
3 -1	79F4443	Gear Cover
2	79F4436	Feed Idler Gear
3	23F2244	Large Gear
4	79F4463	Feed Gear B/M
5	95F5560	Idler Gear
6	23F2254	Feed Roller Gear
7	79F4435	Forms Motor Assembly
8	79F4464	Roller Shaft B/M
9	79F4437	Upper Pressure Roller
10	23F2239	Lower Pressure Roller
11	23F2248	Feed Roller Shaft (Upper and Lower)
12	79F4466	Friction Blocks B/M
13	1368185	Tractor Assembly
NS	1368148	Tractor Door Repair Kit
14	1368183	Right Pin Feed
15	1368184	Left Pin Feed
16	79F4439	EOF Switch
17	1368168	Jam Sensor Assembly
18	6454770	Cam Motor Assembly
19	79F4444	Cam Assembly
20	95F3981	Cam Sensor
21	79F4433	Feed Frame Assembly
22	79F4434	TOF Sensor Assembly
23	6454769	Bush - Feed Roller
24	95F3990	Screw EOF Switch Parts Packet
25 - 30	95F3990	Screw Parts Packet
31- 33	95F3990	C-Clip (E4, E6, E7) Parts Packet
34	95F3990	Washer - EOF Switch Parts Packet