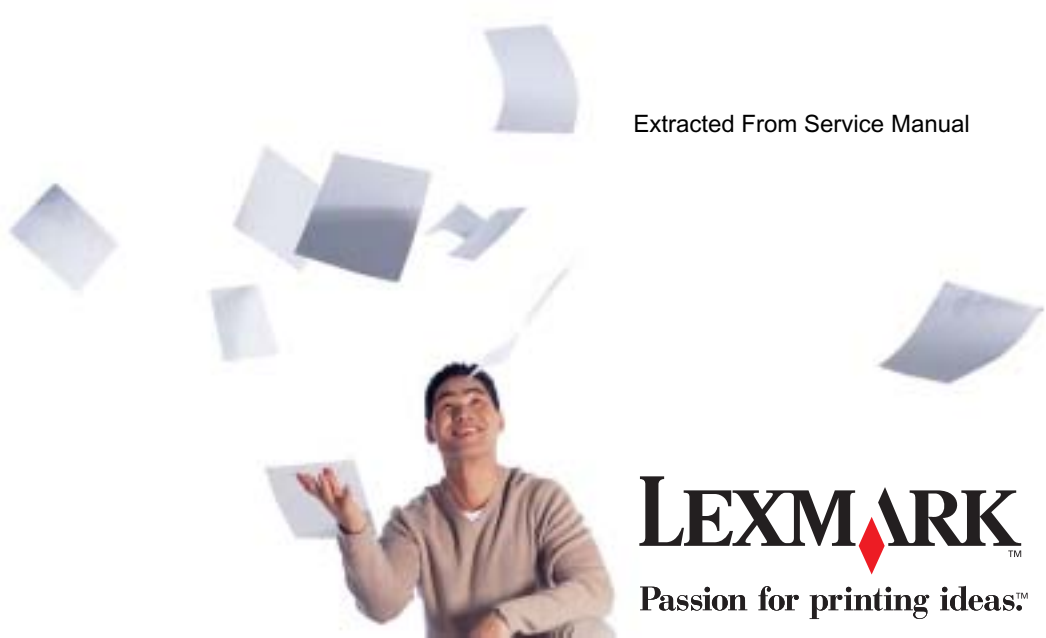


Parts Breakdown

Lexmark Forms Printer 4227

4227-X00

Extracted From Service Manual



LEXMARK
Passion for printing ideas.™

Edition: October 2000

The following paragraph does not apply to any country where such provisions are inconsistent with local law: LEXMARK INTERNATIONAL, INC. PROVIDES THIS PUBLICATION "AS IS" WITHOUT WARRANTY OF ANY KIND, EITHER EXPRESS OR IMPLIED, INCLUDING, BUT NOT LIMITED TO, THE IMPLIED WARRANTIES OF MERCHANTABILITY OR FITNESS FOR A PARTICULAR PURPOSE. Some states do not allow disclaimer of express or implied warranties in certain transactions, therefore, this statement may not apply to you.

This publication could include technical inaccuracies or typographical errors. Changes are periodically made to the information herein; these changes will be incorporated in later editions. Improvements or changes in the products or the programs described may be made at any time.

A form for reader's comments is provided at the back of this publication. If the form has been removed, comments may be addressed to Lexmark International, Inc., Department D22/035-3, 740 New Circle Road N.W., Lexington, Kentucky 40550, U.S.A. Lexmark may use or distribute any of the information you supply in any way it believes appropriate without incurring any obligation to you. You can purchase additional copies of publications related to this product by calling 1-800-553-9727. In other countries, contact your point of purchase.

Lexmark and Lexmark with diamond design are trademarks of Lexmark International, Inc., registered in the United States and/or other countries.

Color Jetprinter is a trademark of Lexmark International, Inc.

Other trademarks are the property of their respective owners.

© **Copyright Lexmark International, Inc. 1996, 2000.**

All rights reserved.

UNITED STATES GOVERNMENT RESTRICTED RIGHTS

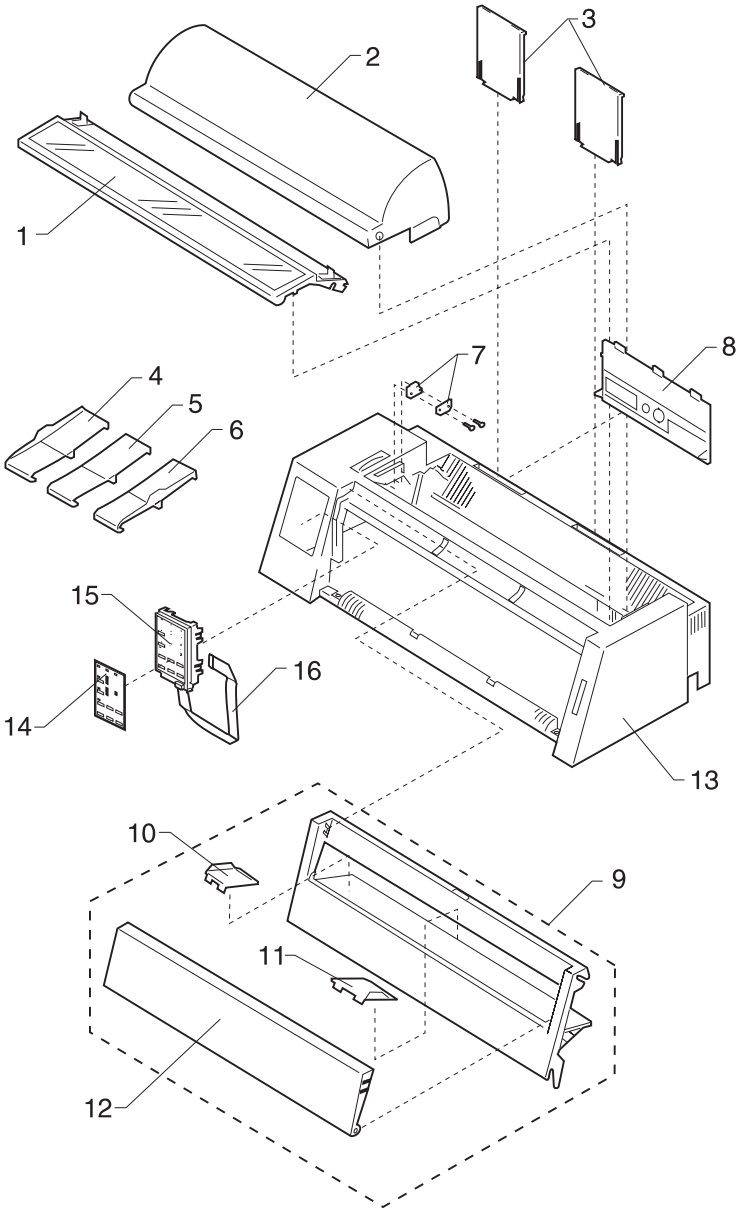
This software and documentation are provided with RESTRICTED RIGHTS. Use, duplication or disclosure by the Government is subject to restrictions as set forth in subparagraph (c)(1)(ii) of the Rights in Technical Data and Computer Software clause at DFARS 252.227-7013 and in applicable FAR provisions: Lexmark International, Inc., Lexington, KY 40550.

7. Parts Catalog

How to Use This Parts Catalog

- **SIMILAR ASSEMBLIES:** If two assemblies contain a majority of identical parts, they are shown on the same list. Common parts are shown by one index number. Parts peculiar to one or the other of the assemblies are listed separately and identified by description.
- **AR: (As Required)** in the Units column indicates that the quantity is not the same for all machines.
- **NP: (Non-Procurable)** in the Units column indicates that the part is non-procurable and that the individual parts or the next higher assembly should be ordered.
- **NR: (Not Recommended)** in the Units column indicates that the part is procurable but not recommended for field replacement, and that the next higher assembly should be ordered.
- **R: (Restricted)** in the Units column indicates that the part has a restricted availability.
- **NS: (Not Shown)** in the Asm-Index column indicates that the part is procurable but is not pictured in the illustration.
- **PP: (Parts Packet)** in the Description column indicates that the part is contained in a parts packet.

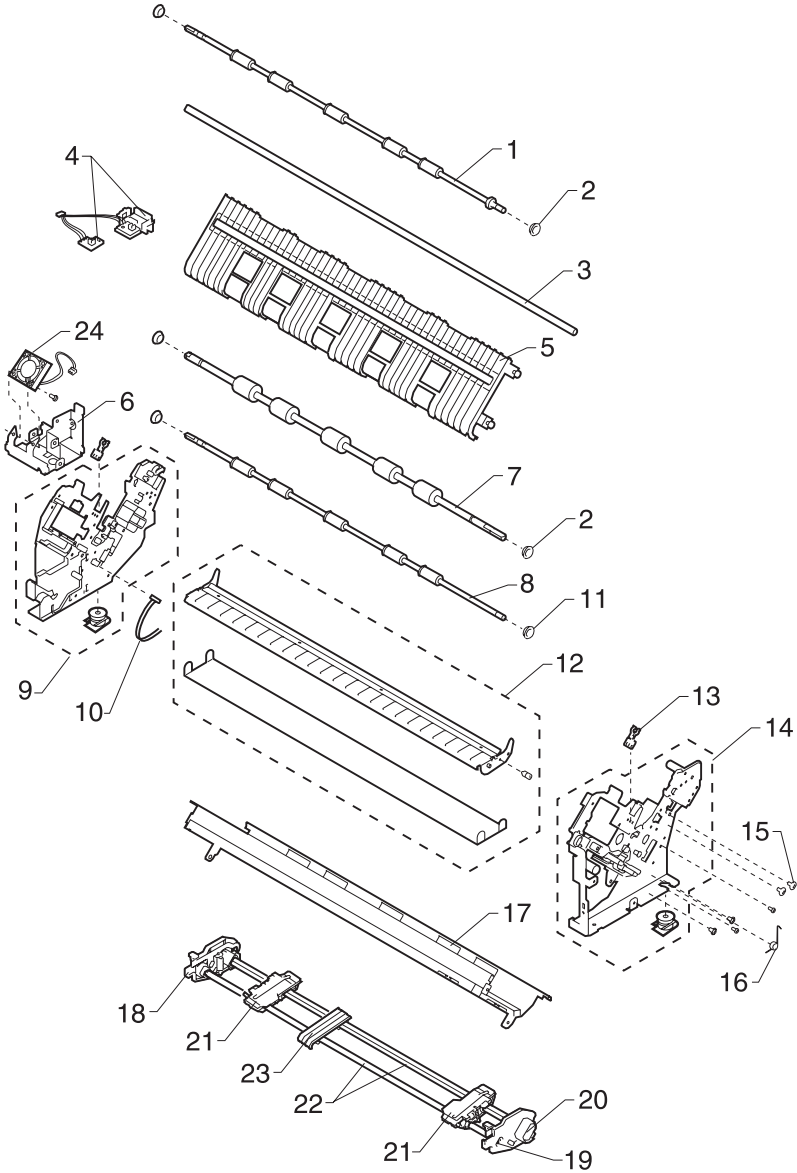
Assembly 1: Covers and Operator Panel



4227-X00

Asm-Index	Part Number	Description
1 -1	11A6201	Cover Assembly, Ribbon Access
2	11A6208	Cover, Acoustic
3	79F4782	Paper Stand
4	1333164	Extender, Paper Guide (Left)
5	1333166	Extender, Paper Guide (Center)
6	1333165	Extender, Paper Guide (Right)
7	11A6207	Switch Assembly, Cover with Cover Switch Plate
8	11A6203	Cover, Rear (4227-100)
8	12G0226	Cover, Rear (4227-200)
9	11A6189	Cover Assembly, Front (Complete)
10	1333152	Guide, Paper (Left)
11	1333167	Guide, Paper (Right)
12	79F4825	Guide, Cover (Front)
13	11A6204	Cover Assembly with Logo, (Top) (4227-100)
13	12G0213	Cover Assembly, with Logo, (Top) (4227-200)
14	11A6253	Overlay Kit, Operator Panel
15	11A6205	Operator Panel Assembly with English Overlay
16	11A6206	Cable, Operator Panel

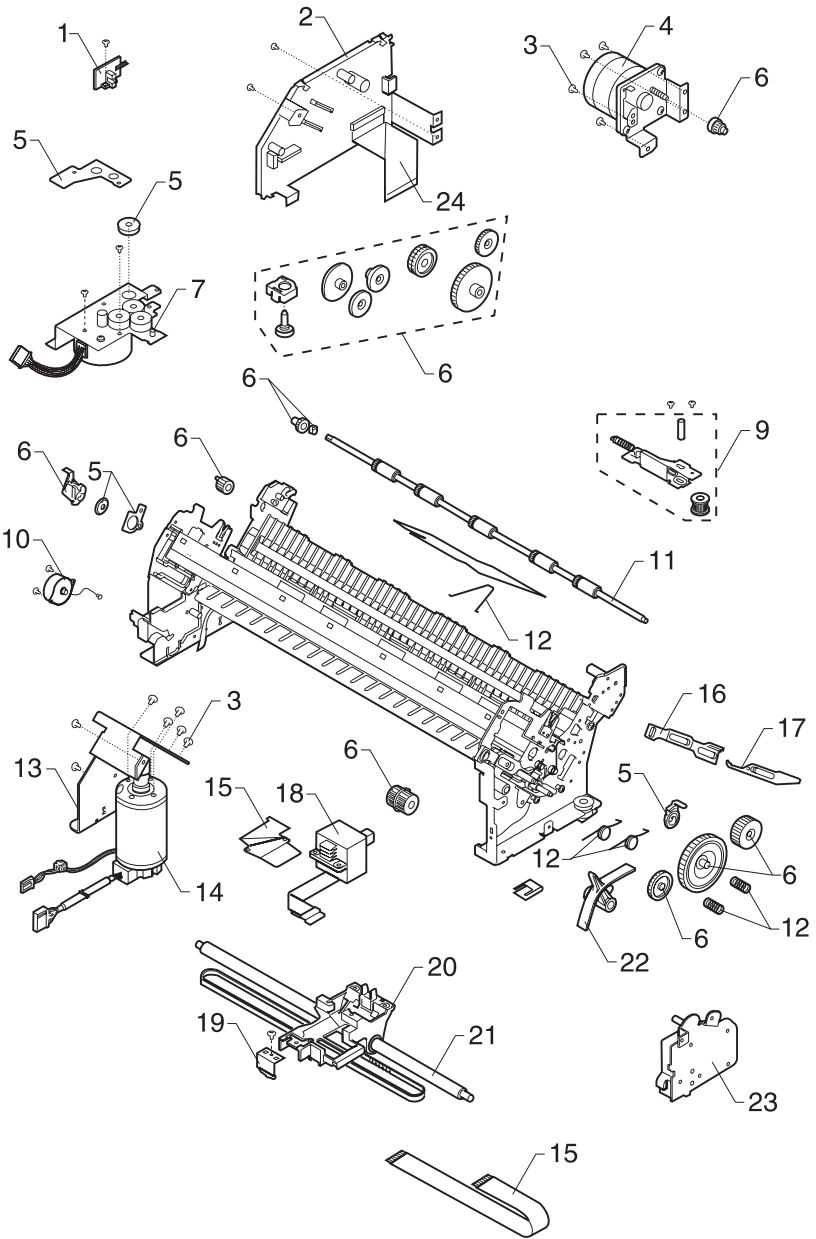
Assembly 2: Paper Feed



4227-X00

Asm-Index	Part Number	Description
2 -1	11A6231	Feed Roller, Upper
2	11A6257	Bearing Kit
3	11A6233	Frame Support Shaft
4	11A6240	TOF & Paper Empty Sensors with Flags & Springs
5	11A6239	Paper Guide / Platen Assembly
6	11A6234	Bracket, Auto-Gap Motor (4227-100)
6	12G0229	Bracket, Auto-Gap Motor (4227-200)
7	11A6241	Roller, Feed (Lower)
8	79F4832	Roller, Pinch (Lower)
9	11A6235	Side Frame Assembly, (Left) (4227-100)
9	12G0221	Side Frame Assembly, (Left) (4227-200)
10	11A6237	Sensor, Paper Select
11	11A6256	Gear Kit
12	11A6232	Separator, Paper
13	11A6236	Latch, Ribbon
14	11A6238	Side Frame Assembly, (Right)
15	11A6255	Screw and Clip Kit
16	11A6258	Spring Kit
17	11A6230	Plate, Carrier
18	11A6209	Tractor Side Frame, (Left)
19	11A6210	Tractor Side Frame, (Right)
20	11A6256	Gear Kit
21	11A6211	Tractor Pair, with Sensors (Left and Right)
22	11A6212	Shaft Kit, Tractor
23	79F4830	Paper Guide, Tractor
24	12G0228	Carrier Motor Cooling Fan (4227-200)

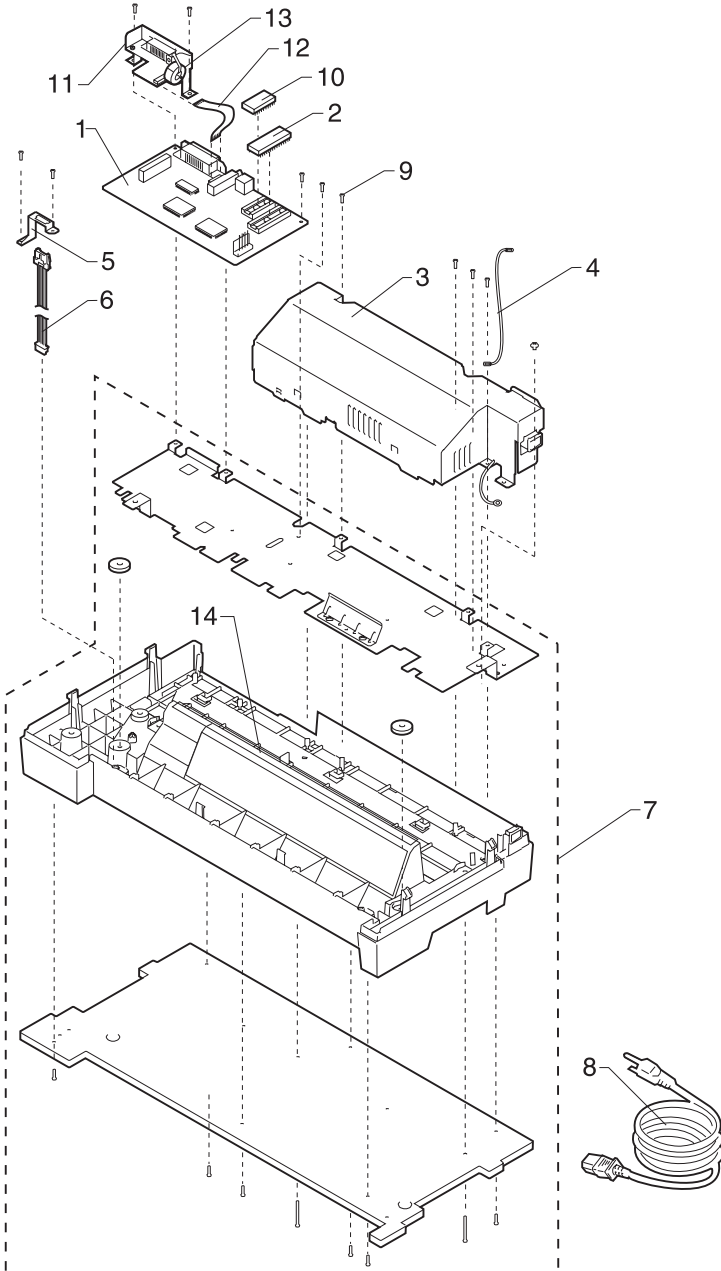
Assembly 3: Carrier



4227-X00

Asm-Index	Part Number	Description
3 -1	11A6229	Sensor, Auto Gap
2	11A6216	Board and Bracket, Sub Logic (4227-100)
2	12G0214	Board and Bracket, Sub Logic (4227-200)
3	11A6255	Screw, Parts Packet
4	11A6215	Motor, Paper Feed Assembly, with Bracket
5	11A6257	Bearing, Parts Packet
6	11A6256	Gears, Parts Packet (4227-100)
6	12G0212	Gears, Parts Packet (4227-200)
7	11A6220	Motor, Ribbon Drive and Gear Plate Assembly
9	11A6221	Plate Assembly, Belt Tension Pulley
10	11A6227	Motor, Auto Gap (4227-100)
10	12G0220	Motor, Auto Gap (4227-200)
11	79F4832	Roller, Lower Pinch
12	11A6258	Spring, Parts Packet
13	11A6226	Bracket, Carrier Motor (4227-100)
13	12G0230	Bracket, Carrier Motor (4227-200)
14	11A6225	Motor, Carrier Assembly (4227-100)
14	12G0231	Motor, Carrier Assembly (4227-200)
15	11A6219	Cable, Printhead and Retainer (4227-100)
15	12G0225	Cable, Printhead and Retainer (4227-200)
16	11A3310	Cam, Release Slider
17	11A3311	Cam, Sub Slider
18	11A6218	Printhead (4227-100)
18	12G0224	Printhead (4227-200)
19	11A6224	Roller and Spring, Carrier
20	11A6222	Carrier Asm. with Belt & Oil Felt (4227-100)
20	12G0232	Carrier Asm. with Belt & Head Cooling Gum (4227-200)
21	11A6223	Shaft, Carrier
22	11A6228	Lever, Paper Select
23	11A6214	Gear Plate, Right
24	11A6217	Cable, Sub Logic Board (4227-100)
24	12G0215	Cable, Sub Logic Board (4227-200)
25	12G0210	Main Logic Card Dust Cover
NS	11A6202	Gear Cover, Left

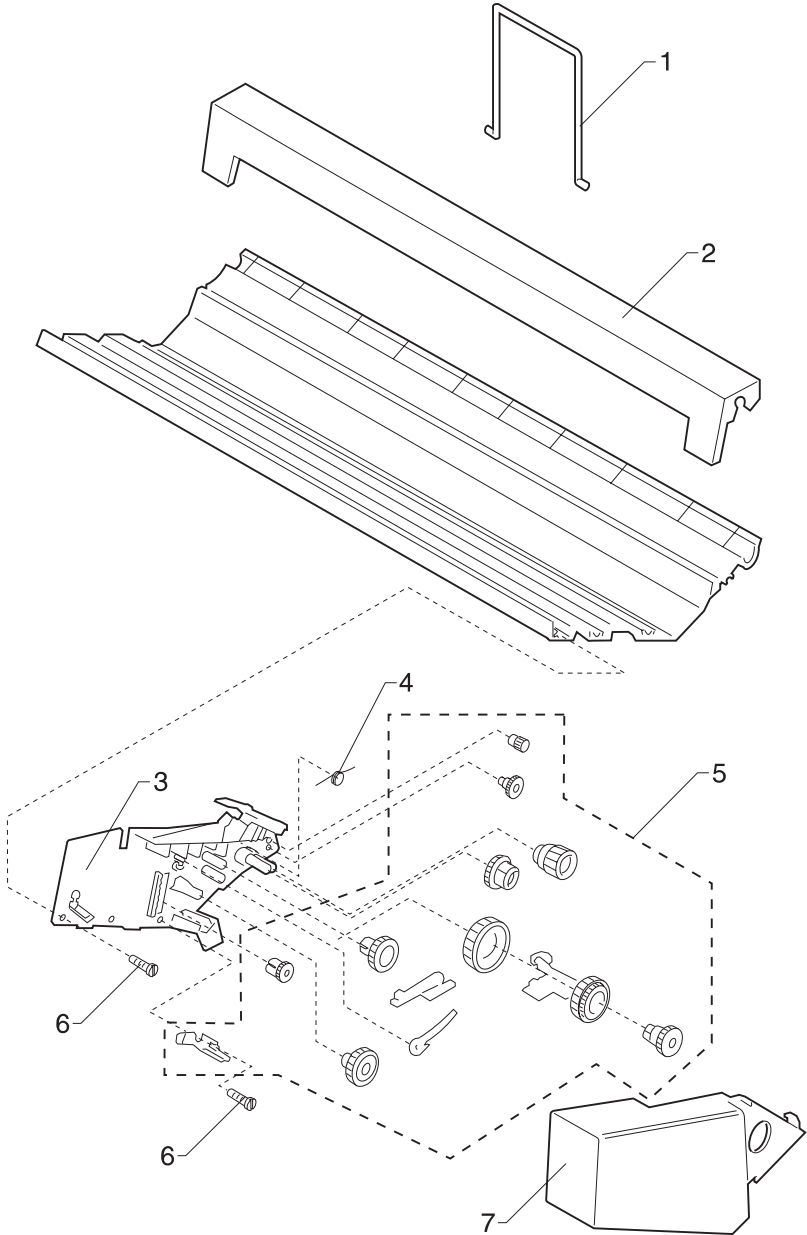
Assembly 4: Base and Electronics



4227-X00

Asm-Index	Part Number	Description
4 -1	11A6246	Main Logic Board without ROM (LV)(4227-100)
1	12G0217	Main Logic Board without ROM (LV)(4227-200)
1	11A6247	Main Logic Board without ROM (HV) (4227-100)
1	12G0216	Main Logic Board without ROM (HV) (4227-200)
2	11G0023	ROM Kit (4227-100)
2	12G0227	ROM Kit (4227-200)
3	12G3515	Power Supply, 100 - 240 V ac
NS	11A6244	Fuse, Power Supply
NS	11A6245	Fan, Power Supply
4	11A6249	Ground Wire
5	11A6251	Bracket, Tractor Cable
6	11A6250	Cable, Tractor
7	11A6242	Base Assembly
8	1339526	Linecord (U.S., Canada, AFE (LV), Saudi Arabia (LV), Central and South America, Mexico)
8	1339519	Linecord (United Kingdom, Malaysia and Singapore)
8	1339520	Linecord (Germany, France, Spain, Norway, Finland, The Netherlands, Austria, Belgium, Brazil, Greece, Luxembourg, Portugal, Sweden, Turkey, Saudi Arabia (HV), Indonesia)
8	1339525	Linecord (Denmark)
8	1339524	Linecord (Italy and Chile)
8	1339521	Linecord (Israel)
8	70G0496	Linecord (Japan)
8	1339523	Linecord (South Africa)
8	1339522	Linecord (Switzerland)
8	1339518	Linecord (Australia, New Zealand, Argentina, Paraguay)
8	1339517	Linecord (Peru)
9	11A6255	Screw and Clip Kit
10	1180727	32Kb Memory Module (Option)
10	11A6185	Extended NLS Module, Eastern Europe (Option)
10	11A6186	Extended NLS Module, Middle East Countries (Option)
11	12G0222	Serial Port Card and Bracket Asm. (4227-200)
12	12G0223	Serial Port Card to Main Logic Board Cable (4227-200)
13	12G0218	Torroid (4227-200)
14	12G0211	Paper Guide MyLar Strip

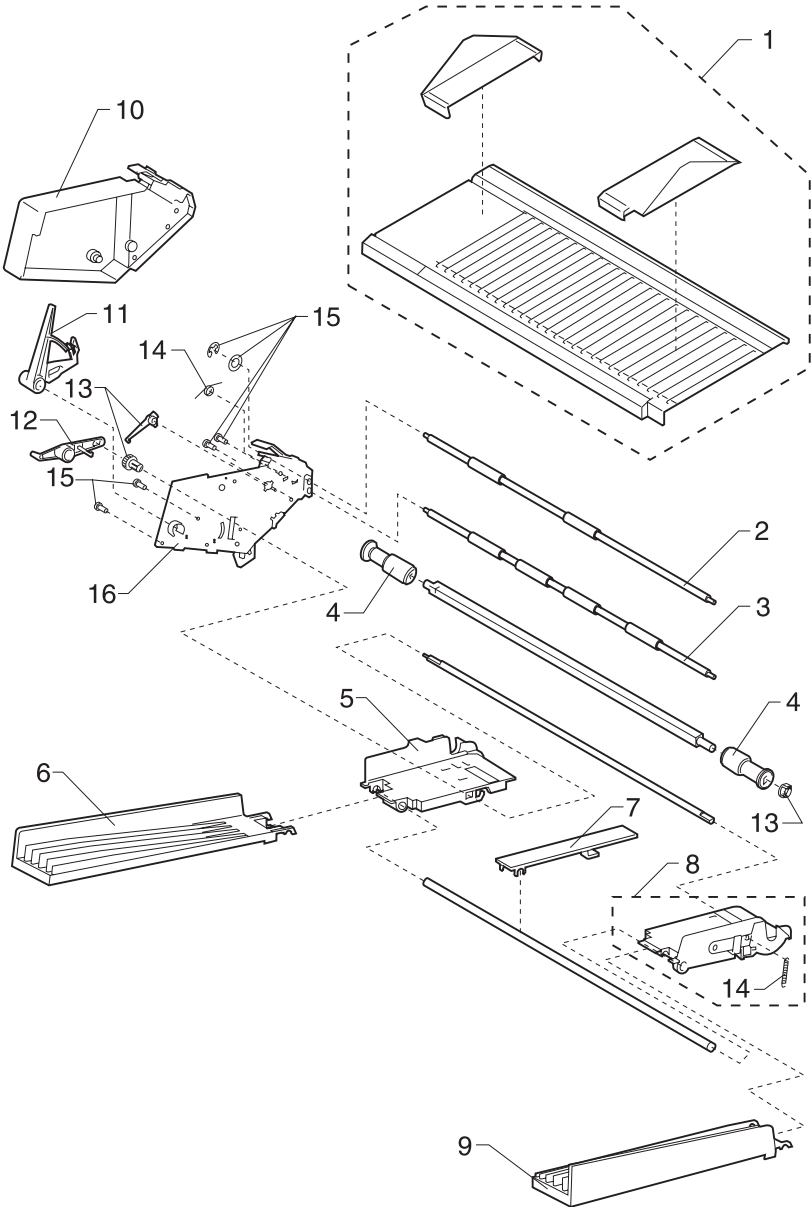
Assembly 5: ASF Side Frame / Covers



4227-X00

Asm- Index	Part Number	Description
5 -1	95F6901	Support, Stacking
2	95F6903	Cover, (Front)
3	95F6899	Side Frame, (Right)
4	95F6893	Spring Kit, ASF
5	95F6892	Gear and Bearing Kit, ASF
6	95F6894	Screw Kit, ASF
7	95F6882	Cover, (Right)

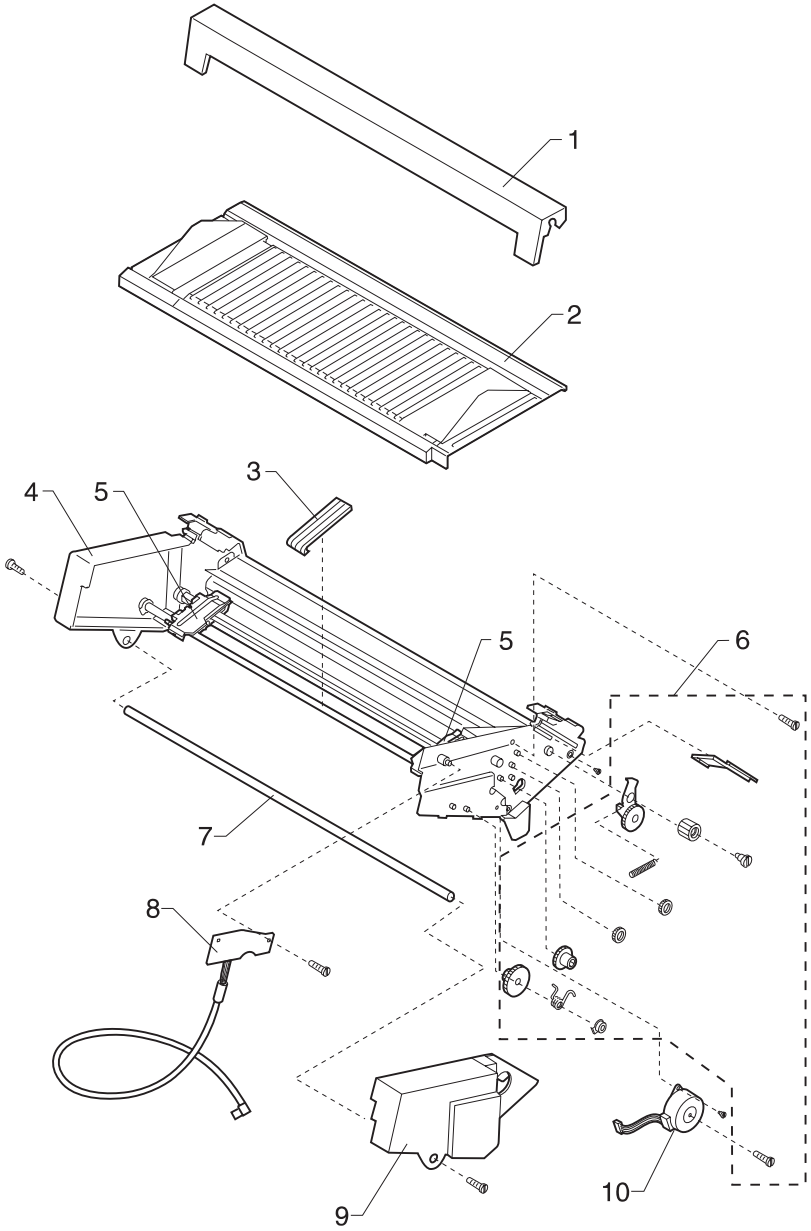
Assembly 6: ASF Roller / Support



4227-X00

Asm-Index	Part Number	Description
6 -1	11A3334	Support, Cut Sheet with Guides
2	95F6896	Roller, Feed (Upper)
3	65F6897	Roller, Feed (Lower)
4	1333275	Roller, Pickup (Left and Right)
5	1333280	Hopper, (Left)
6	1333279	Support, Paper (Left)
7	95F6880	Support, Paper (Center)
8	1333277	Hopper, (Right)
9	1333278	Support, Paper (Right)
10	95F6881	Cover, (Left)
11	1333161	Lever, Paper Load
12	1333162	Link, Paper Load
13	95F6892	Gear and Bushing Kit, ASF
14	95F6893	Spring Kit, ASF
15	95F6894	Screw Kit, ASF
16	95F6898	Side Frame, (Left)

Assembly 7: Tractor 2 Option



4227-X00

Asm- Index	Part Number	Description
7 -1	95F6903	Cover, (Front)
2	11A3343	Paper Table W/ Guides
3	11A3338	Paper Guide, Tractor
4	11A6252	Tractor and Frame Assembly
5	11A6254	Tractor Kit (Left and Right), with Sensors
6	11A3341	Parts Packet
7	11A3284	Shaft, Support
8	11A3336	Board Asm W/Cable and Ferrite
9	11A3332	Cover, (Right)
10	11A3337	Motor