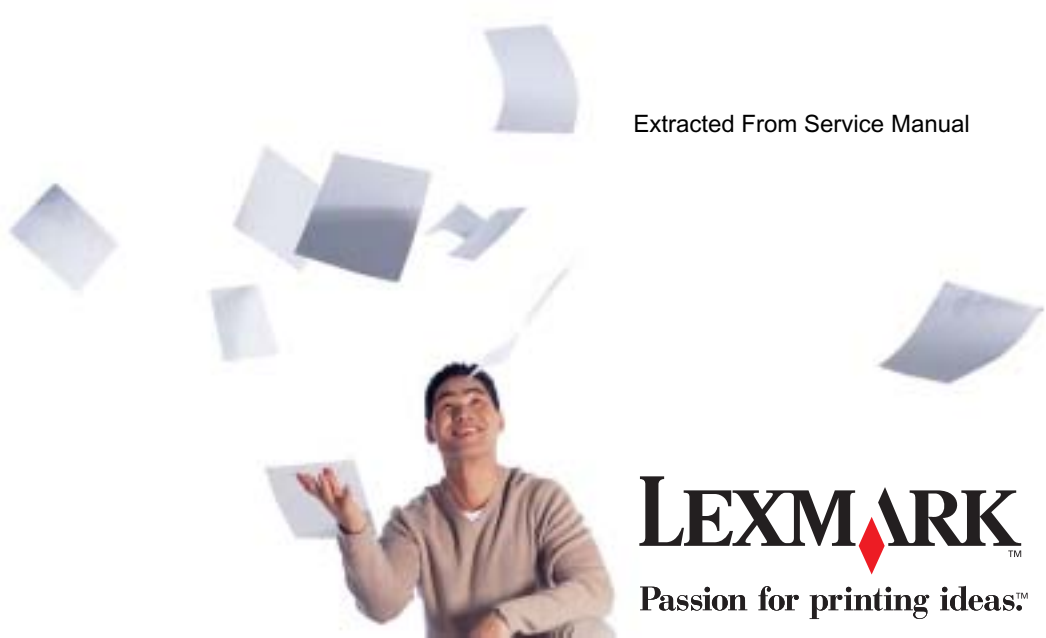


# Parts Breakdown

## WinWriter™ 100

### 4076-0WJ

Extracted From Service Manual



**LEXMARK**<sup>™</sup>

Passion for printing ideas.<sup>™</sup>

First Edition (August,1994)

THE FOLLOWING PARAGRAPH DOES NOT APPLY TO THE UNITED KINGDOM OR ANY COUNTRY WHERE SUCH PROVISIONS ARE INCONSISTENT WITH LOCAL LAW: LEXMARK INTERNATIONAL, INC. PROVIDES THIS PUBLICATION "AS IS" WITHOUT WARRANTY OF ANY KIND, EITHER EXPRESS OR IMPLIED, INCLUDING, BUT NOT LIMITED TO, THE IMPLIED WARRANTIES OF MERCHANTABILITY OR FITNESS FOR A PARTICULAR PURPOSE. Some states do not allow disclaimer of express or implied warranties in certain transactions, therefore, this statement may not apply to you.

This publication could include technical inaccuracies or typographical errors. Changes are periodically made to the information herein; these changes will be incorporated in later editions of the publication. Improvements or changes in the products or the programs described in this publication may be made at any time. Publications are not stocked at the address given below; requests for publications should be made to your point of purchase.

A form for reader's comments is provided at the back of this publication. If the form has been removed, comments may be addressed to Lexmark International, Inc., Department F95/035-3, 740 New Circle Road, Lexington, Kentucky 40511, U.S.A. Lexmark may use or distribute any of the information you supply in any way it believes appropriate without incurring any obligation to you.

(C) COPYRIGHT LEXMARK INTERNATIONAL, INC. 1993. ALL RIGHTS RESERVED.

UNITED STATES GOVERNMENT RESTRICTED RIGHTS This software and documentation are provided with RESTRICTED RIGHTS. Use, duplication or disclosure by the Government is subject to restrictions as set forth in subparagraph (c)(1)(ii) of the Rights in Technical Data and Computer Software clause at DFARS 252.227-7013 and in applicable FAR provisions: Lexmark International, Inc., Greenwich, CT 06836.

## Parts Catalog

### How To Use This Parts Catalog

- **SIMILAR ASSEMBLIES:** If two assemblies contain a majority of identical parts, they are broken down on the same list. Common parts are shown by one index number. Parts peculiar to one or the other of the assemblies are listed separately and identified by description.
- **AR: (As Required)** in the Units column indicates that the quantity is not the same for all machines.
- **NP: (Non-Procurable)** in the Units column indicates that the part is non-procurable and that the individual parts or the next higher assembly should be ordered.
- **NR: (Not Recommended)** in the Units column indicates that the part is procurable but not recommended for field replacement, and that the next higher assembly should be ordered.
- **R: (Restricted)** in the Units column indicates that the part has a restricted availability.
- **NS: (Not Shown)** in the Asm-Index column indicates that the part is procurable but is not pictured in the illustration.
- **INDENTURE:** The indenture is marked by a series of dots located before the parts description. The indenture indicates the relationship of a part to the next higher assembly. For example:

#### INDENTURE RELATIONSHIP OF PARTS

(No dot) MAIN ASSEMBLY

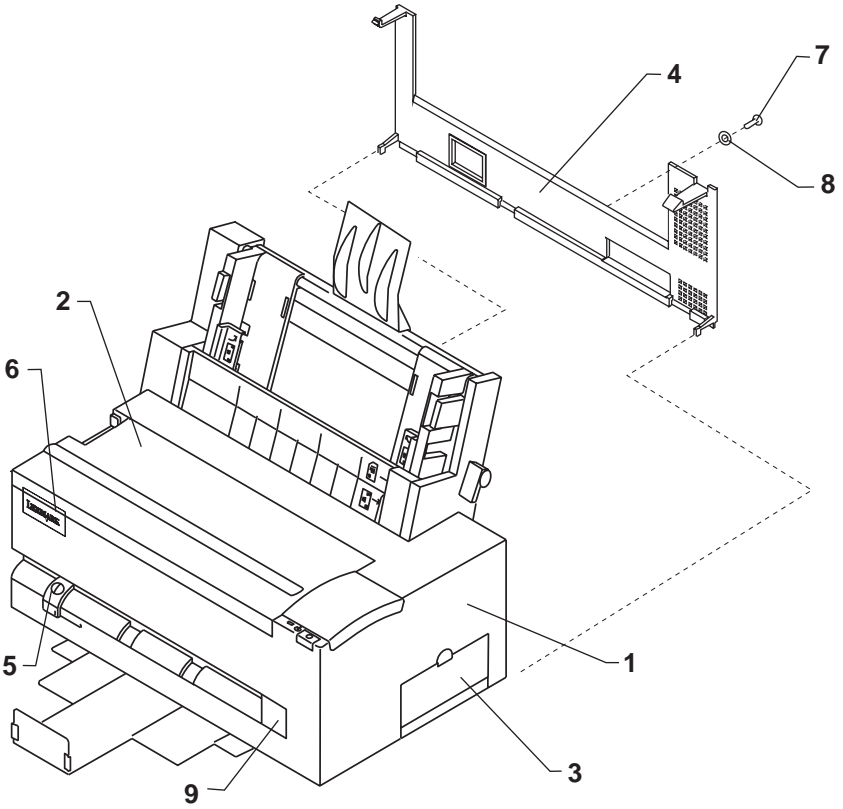
(One dot) o Detail parts of a main assembly

(One dot) o Subassembly of the main assembly

(Two dot) o o Detail part of a one-dot subassembly

(Two dot) o o Subassembly of a one-dot subassembly

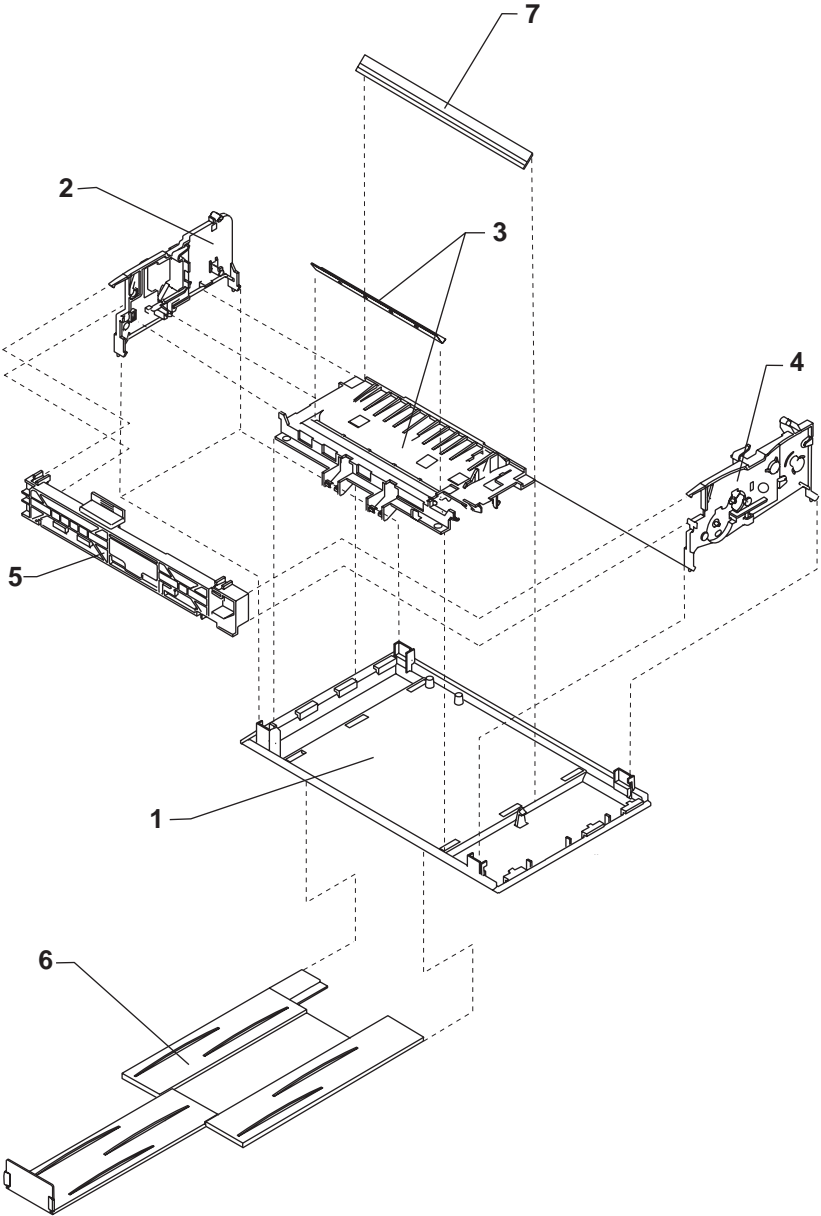
Assembly 1: Covers



**4076-0WJ**

<b>Asm-Index</b>	<b>Part Number</b>	<b>Units</b>	<b>Description</b>
1-1	1367099	1	Top Cover
-2	1367487	1	Access Cover Asm
-3	1367486	1	Font Card Door
-4	1367479	1	Rear Cover
-5	1367493	1	Left Output Guide
-6	1374401	1	Logo
-7		1	Screw, Parts Packet 1367169
-8		1	Washer, Parts Packet 1367169
-9	1374409	1	Microsoft at Work Label

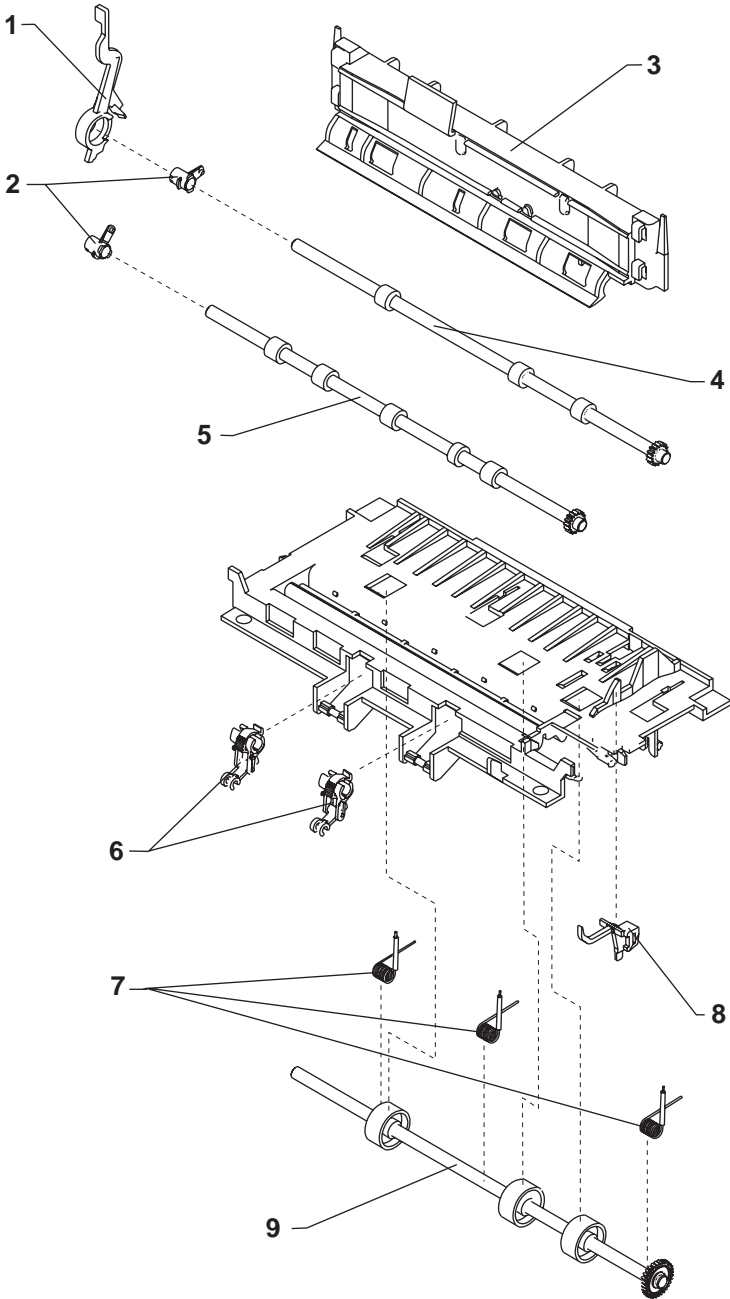
Assembly 2: Frames



**4076-0WJ**

<b>Asm-Index</b>	<b>Part Number</b>	<b>Units</b>	<b>Description</b>
2-1	1367489	1	Base Asm
-2	1367209	1	Left Side Frame
-3	1367219	1	Middle Frame Asm
-4	1367229	1	Right Side Frame
-5	1367309	1	Carrier Transport Motor Frame
-6	1367199	1	Exit Tray Asm
-7	1367079	1	Carrier Guide

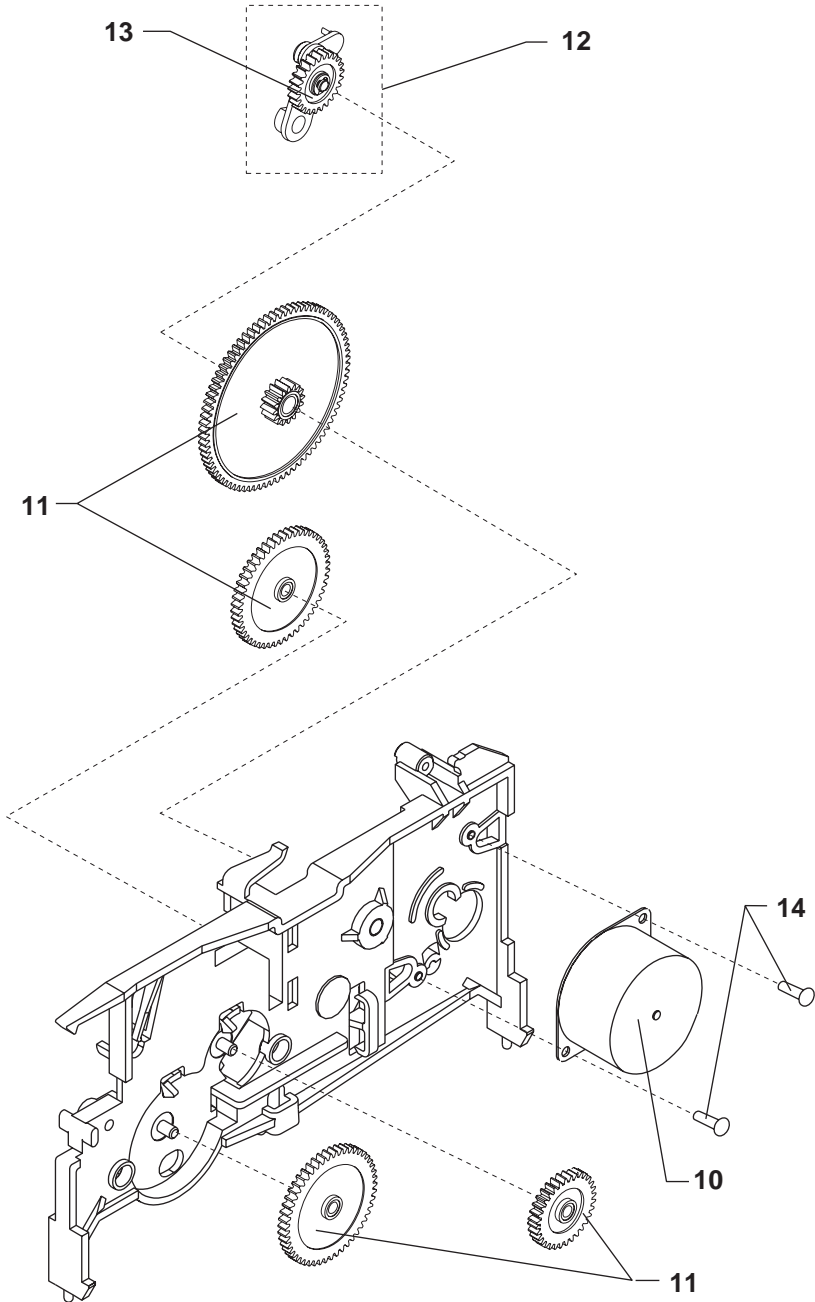
Assembly 3: Paper Feed



**4076-0WJ**

<b>ASm-Index</b>	<b>Part Number</b>	<b>Units</b>	<b>Description</b>
3-1	1367179	1	Paper Release Lever
-2		2	Bushing, Parts Packet1367169
-3	1367339	1	Paper Guide
-4	1367279	1	Small Feed Roller Asm
-5	1367289	1	Exit Roller Asm
-6	1367266	1	Ejector B/M
-7		3	Spring, Parts Packet1367169
-8	1367049	1	End of Forms Flag
-9	1367269	1	Large Feed Roller Asm

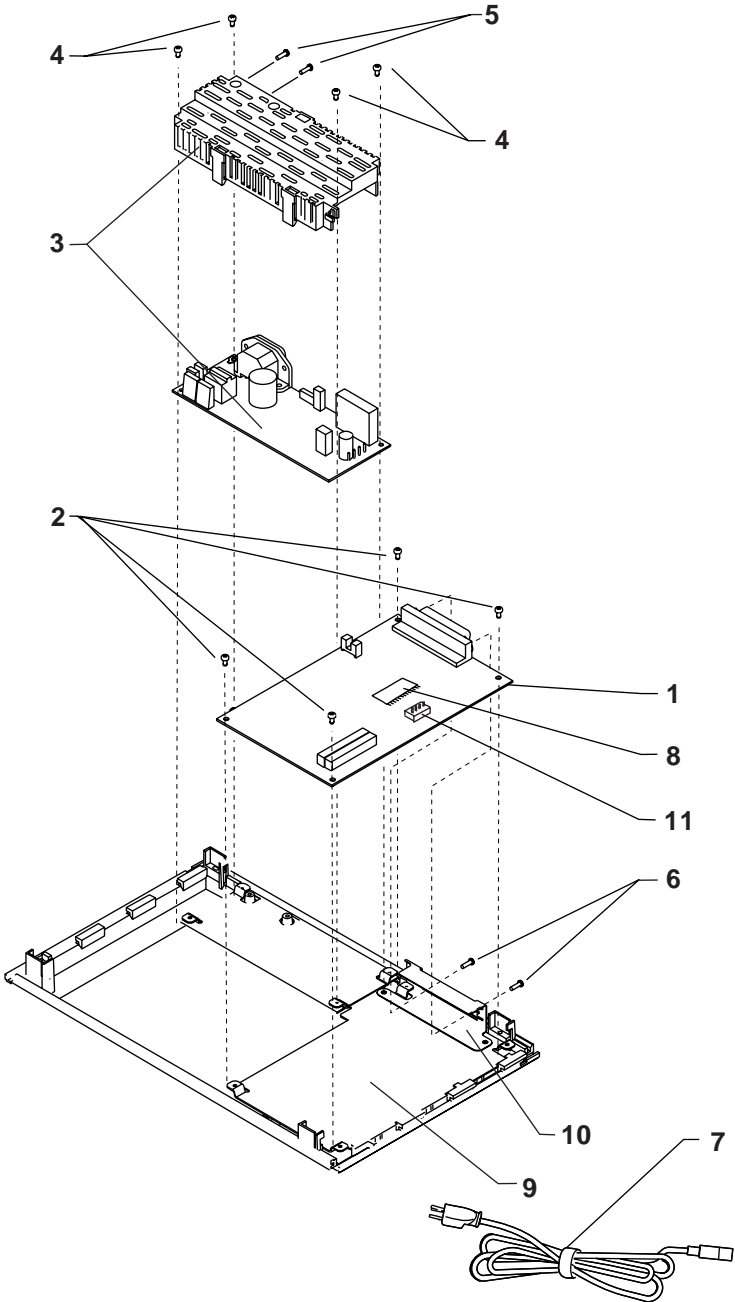
Assembly 3: Paper Feed (Cont.)



**4076-0WJ**

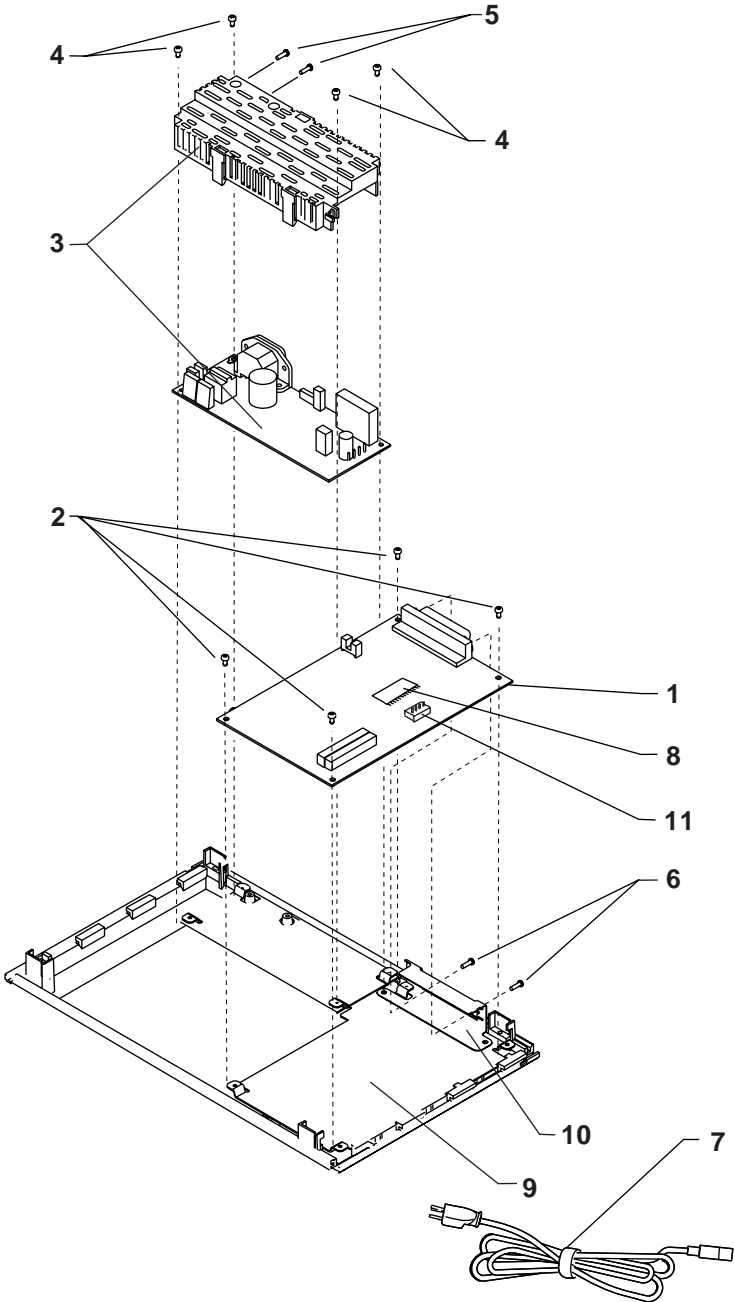
<b>Asm-Index</b>	<b>Part Number</b>	<b>Units</b>	<b>Description</b>
3-10	1367239	1	Paper Feed Motor Asm
-11	1367249	1	Gears B/M
-12	1367259	1	Feed Arm Asm
-13		2	C-Clip, Parts Packet 1367169
-14		2	Screw, Parts Packet 1367169

Assembly 4: Electronics



<b>Asm-Index</b>	<b>Part Number</b>	<b>Units</b>	<b>Description</b>
4-1	1374402	1	System Board, (No Code Module)
-2		4	Screw, Parts Packet 1367169
-3	1367189	1	Power Supply
-4		4	Screw, Parts Packet 1367169
-5		2	Screw, Parts Packet 1367169
-6		2	Screw, Parts Packet 1367169
-7	1430317	1	Power Cord, US
-7	1342536	1	Power Cord, Argentina
-7	1339520	1	Power Cord, Austria
-7	1339520	1	Power Cord, Belgium
-7	1342514	1	Power Cord, Bolivia
-7	1342514	1	Power Cord, Brazil (LV)
-7	1342530	1	Power Cord, Brazil (HV)
-7	1430317	1	Power Cord, Canada
-7	1342534	1	Power Cord, Chile
-7	1342514	1	Power Cord, Columbia
-7	1342514	1	Power Cord, Costa Rica
-7	1339525	1	Power Cord, Denmark
-7	1342514	1	Power Cord, Ecuador
-7	1342514	1	Power Cord, El Salvador
-7	1339520	1	Power Cord, Finland
-7	1339520	1	Power Cord, France
-7	1339520	1	Power Cord, Germany
-7	1339520	1	Power Cord, Greece
-7	1342514	1	Power Cord, Guatemala
-7	1342514	1	Power Cord, Honduras
-7	1339520	1	Power Cord, Iceland
-7	1339519	1	Power Cord, Ireland
-7	1339521	1	Power Cord, Israel
-7	1339524	1	Power Cord, Italy
-7	1342514	1	Power Cord, Mexico
-7	1339520	1	Power Cord, Netherlands
-7	1342514	1	Power Cord, Nicaragua
-7	1339520	1	Power Cord, Norway
-7	1342514	1	Power Cord, Panama
-7	1342536	1	Power Cord, Paraguay

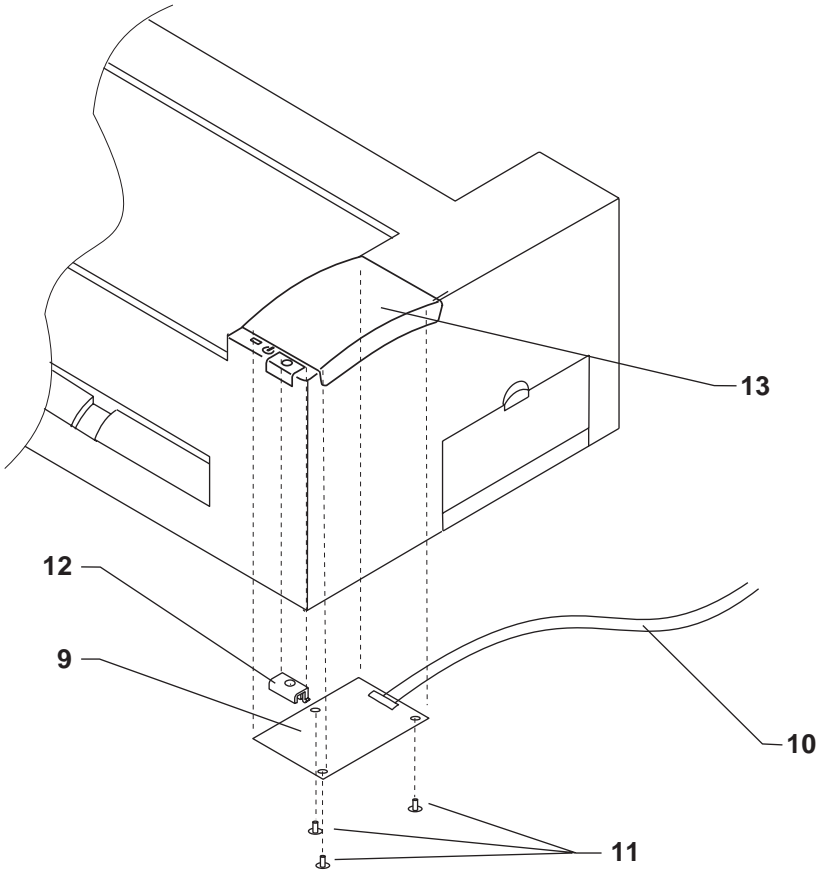
Assembly 4: Electronics (Cont.)



**4076-0WJ**

Asm-Index	Part Number	Units	Description
-7	1342514	1	Power Cord, Peru
-7	1339520	1	Power Cord, Portugal
-7	1339523	1	Power Cord, South Africa
-7	1339520	1	Power Cord, Spain
-7	1339520	1	Power Cord, Sweden
-7	1339522	1	Power Cord, Switzerland
-7	1339520	1	Power Cord, Turkey
-7	1339519	1	Power Cord, United Kingdom
-7	1342536	1	Power Cord, Uruguay
-7	1342514	1	Power Cord, Venezuela
-8	1374399	1	Code Module
-9	1374327	1	Ground Plane
-10	1374328	1	ESD Shield
-NS		1	Jumper, 2-Pin, Parts Packet 1367169

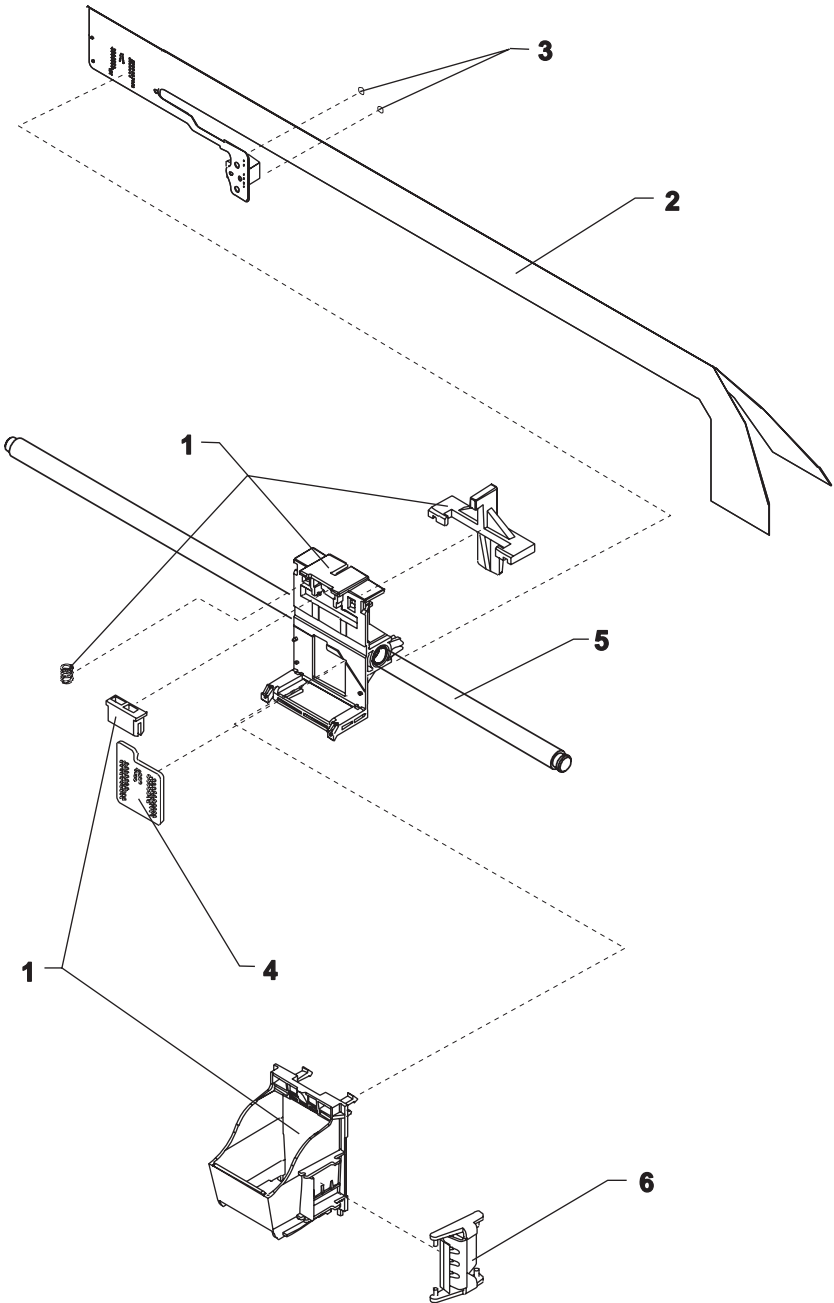
Assembly 4 Electronics (Cont.)



**4076-0WJ**

<b>Asm-Index</b>	<b>Part Number</b>	<b>Units</b>	<b>Description</b>
4-9	1374403	1	Operator Panel Card
-10	1374404	1	Operator Panel Cable
-11		3	Screw, Parts Packet 1367169
-12	1374408	1	Power Button
-13	1374406	1	Op Panel Cover

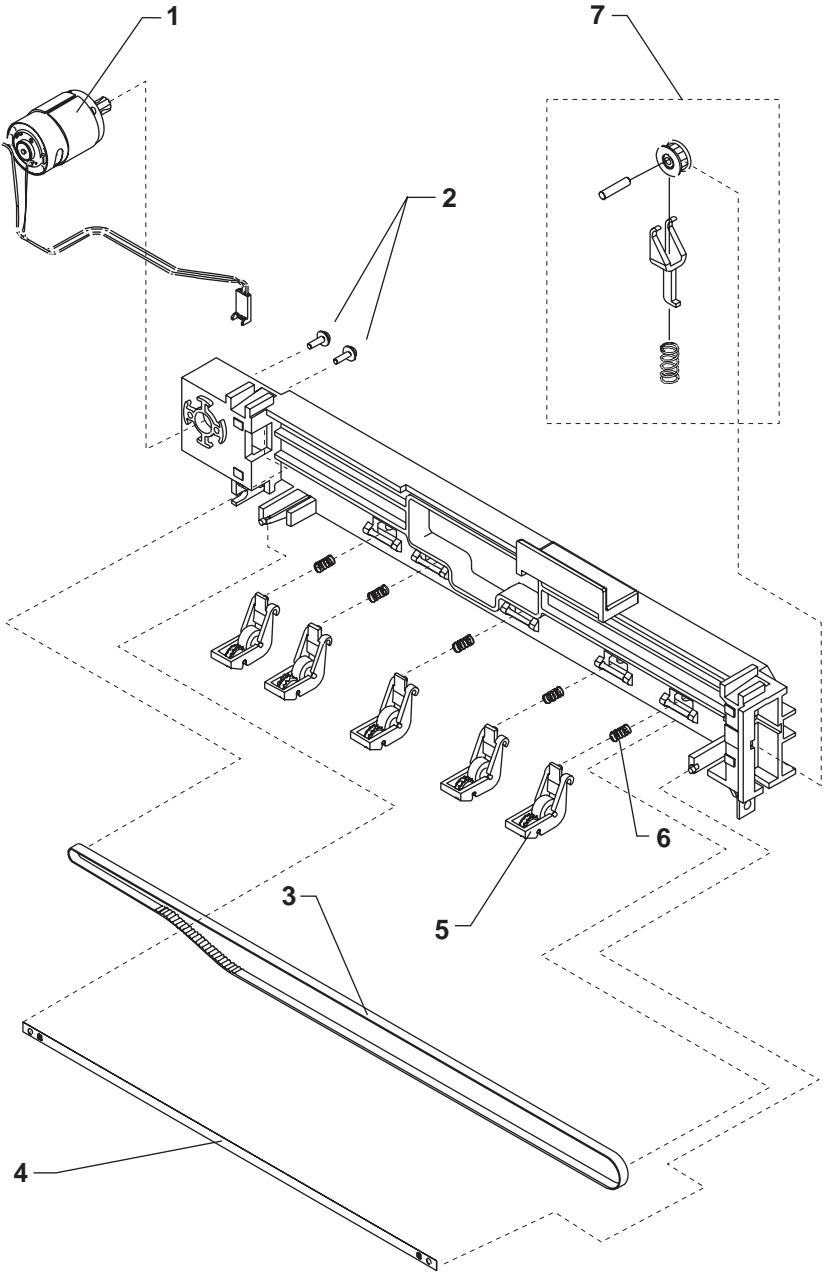
Assembly 5: Carrier



**4076-0WJ**

Asm-Index	Part Number	Units	Description
5-1	1367299	1	Print Head Carrier Asm
-2	1367149	1	Cable, Print Head
-3		2	Screw, Parts Packet 1367169
-4	1367109	1	Rubber Backer
-5	1367089	1	Guide Rod, Carrier
-6		1	Clip, Parts Packet 1367169
NS	1374338	1	Toroid, Non-Western Hemisphere

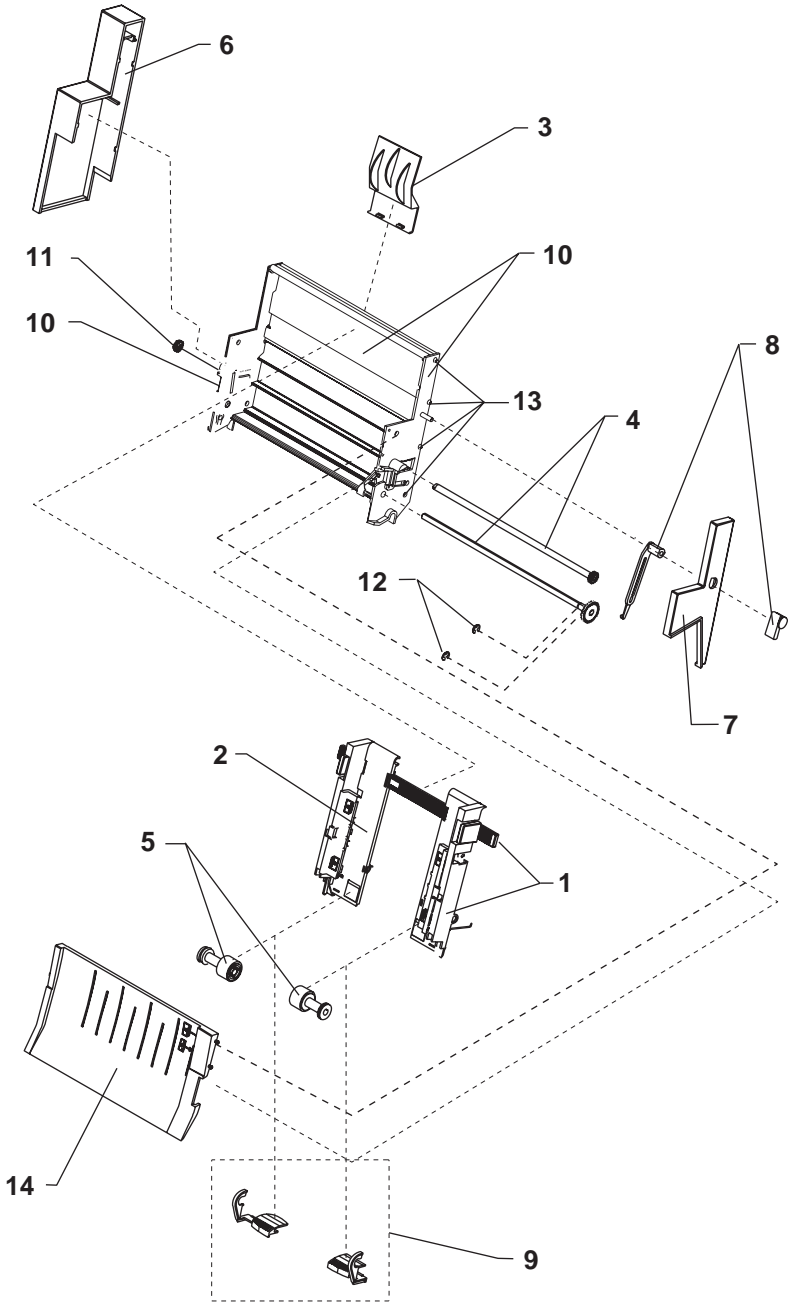
Assembly 6: Carrier Transport



**4076-0WJ**

<b>Asm-Index</b>	<b>Part Number</b>	<b>Units</b>	<b>Description</b>
6-1	1367319	1	Motor Asm
-2		2	Screw, Parts Packet 1367169
-3	1367359	1	Belt
-4	1367379	1	Encoder Strip
-5	1367349	1	Star Roller Asm
-6		5	Spring, Parts Packet 1367169
-7	1367329	1	Idler Pulley B/M

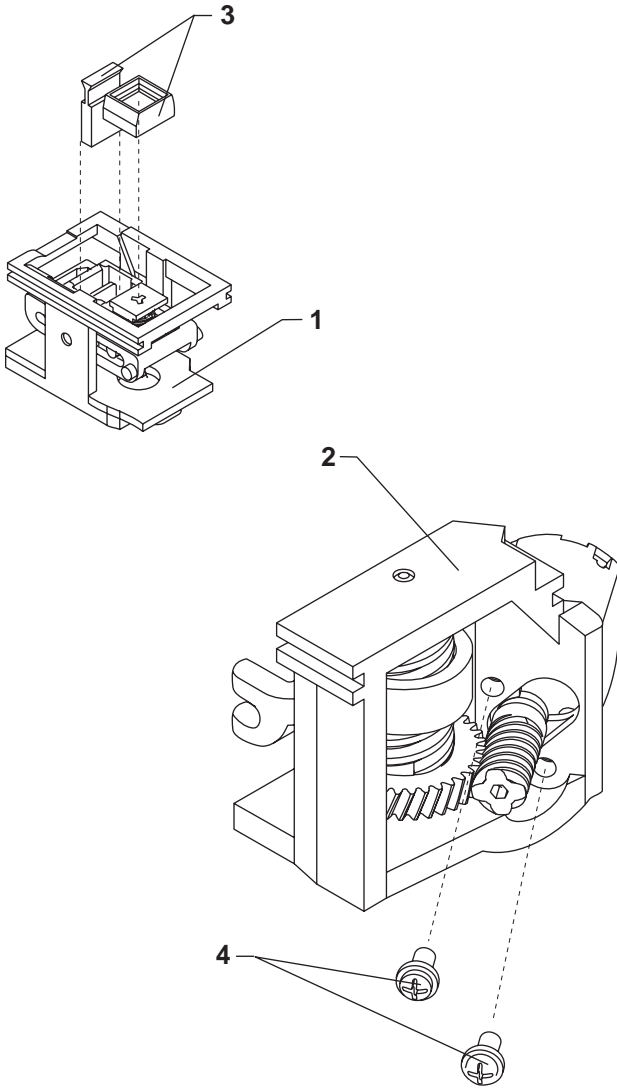
Assembly 7: Auto Sheet Feed



**4076-0WJ**

<b>Asm-Index</b>	<b>Part Number</b>	<b>Units</b>	<b>Description</b>
7-1	1367497	1	Right Edge Guide and Width Adjust Strip
-2	1367498	1	Left Edge Guide Asm
-3	1367439	1	Upper Paper Support
-4	1367469	1	Pick Roll and Paper Load Shaft B/M
-5	1367463	1	Pick Roll Hub Asm
-6	1367449	1	Left Side Cover
-7	1367459	1	Right Side Cover
-8	1367029	1	Paper Load B/M
-9	1367019	1	Envelope Buckler B/M
-10	1367396	1	Side and Back Plate B/M
-11	1367249	1	Gears B/M
-12		2	E-Ring, Parts Packet 1367169
-13		4	Screw, Parts Packet 1367169
-14	1367429	1	Manual Insert Tray

Assembly 8: Maintenance Station



**4076-0WJ**

<b>Asm-Index</b>	<b>Part number</b>	<b>Units</b>	<b>Description</b>
8-1	1367369	1	Rocker Asm
-2	1367399	1	Drive Asm
-3	1367389	1	Wiper and Cap B/M
-4		2	Screw, Parts Packet 1367169