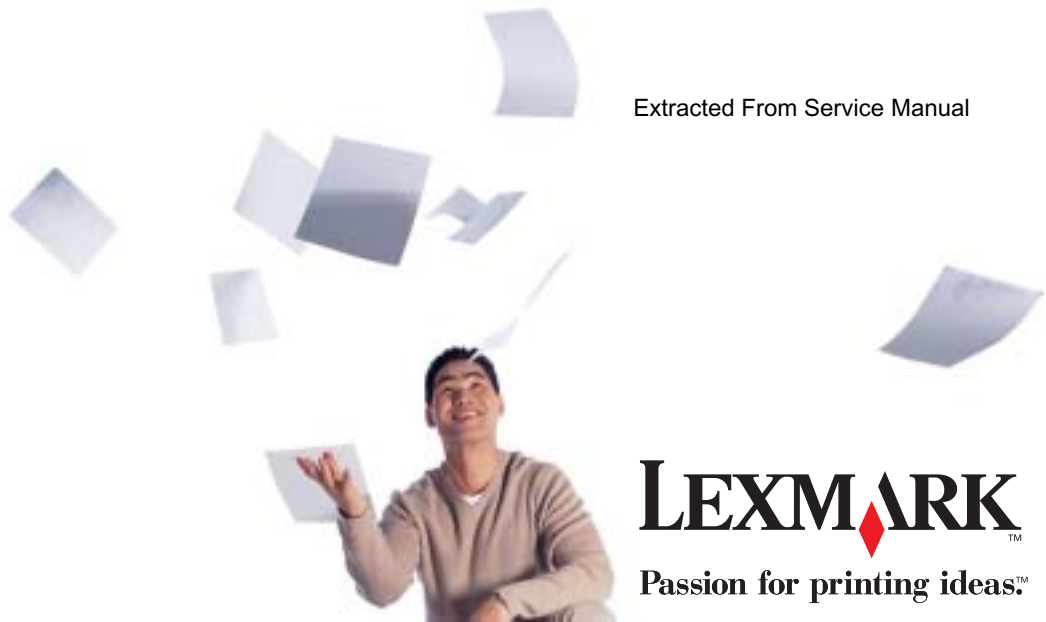


Parts Breakdown

ExecJet™ II and ExecJet IIc

4076-0XX

Extracted From Service Manual



LEXMARK
Passion for printing ideas.™

Second Edition (May, 1996)

The following paragraph does not apply to the United Kingdom or any country where such provisions are inconsistent with local law: LEXMARK INTERNATIONAL, INC. PROVIDES THIS PUBLICATION "AS IS" WITHOUT WARRANTY OF ANY KIND, EITHER EXPRESS OR IMPLIED, INCLUDING, BUT NOT LIMITED TO, THE IMPLIED WARRANTIES OF MERCHANTABILITY OR FITNESS FOR A PARTICULAR PURPOSE. Some states do not allow disclaimer of express or implied warranties in certain transactions, therefore, this statement may not apply to you.

This publication could include technical inaccuracies or typographical errors. Changes are periodically made to the information herein; these changes will be incorporated in later editions of the publication. Improvements or changes in the products or the programs described in this publication may be made at any time. Publications are not stocked at the address given below; requests for publications should be made to your point of purchase.

Comments may be addressed to Lexmark International, Inc., Department D22A/035-3, 740 New Circle Road, Lexington, Kentucky 40550, U.S.A. Lexmark may use or distribute any of the information you supply in any way it believes appropriate without incurring any obligation to you.

ExecJet and Lexmark are trademarks of Lexmark International, Inc., registered in the United States and/or other countries.

AppleTalk and LocalTalk are trademarks of Apple Computer, Inc. registered in the United States and other countries.

Other trademarks are the property of their respective owners.

**© Copyright Lexmark International, Inc. 1994, 1996.
All Rights Reserved.**

UNITED STATES GOVERNMENT RESTRICTED RIGHTS

This software and documentation are provided with RESTRICTED RIGHTS. Use, duplication or disclosure by the Government is subject to restrictions as set forth in subparagraph (c)(1)(ii) of the Rights in Technical Data and Computer Software clause at DFARS 252.227-7013 and in applicable FAR provisions: Lexmark International, Inc., Lexington, KY 40550.

Parts Catalog

How To Use This Parts Catalog

- **SIMILAR ASSEMBLIES:** If two assemblies contain a majority of identical parts, they are broken down on the same list. Common parts are shown by one index number. Parts peculiar to one or the other of the assemblies are listed separately and identified by description.
- **AR: (As Required)** in the Units column indicates that the quantity is not the same for all machines.
- **NP: (Non-Procurable)** in the Units column indicates that the part is non-procurable and that the individual parts or the next higher assembly should be ordered.
- **NR: (Not Recommended)** in the Units column indicates that the part is procurable but not recommended for field replacement, and that the next higher assembly should be ordered.
- **R: (Restricted)** in the Units column indicates that the part has a restricted availability.
- **NS: (Not Shown)** in the Asm-Index column indicates that the part is procurable but is not pictured in the illustration.
- **INDENTURE:** The indenture is marked by a series of dots located before the parts description. The indenture indicates the relationship of a part to the next higher assembly. For example:

INDENTURE RELATIONSHIP OF PARTS

(No dot) MAIN ASSEMBLY

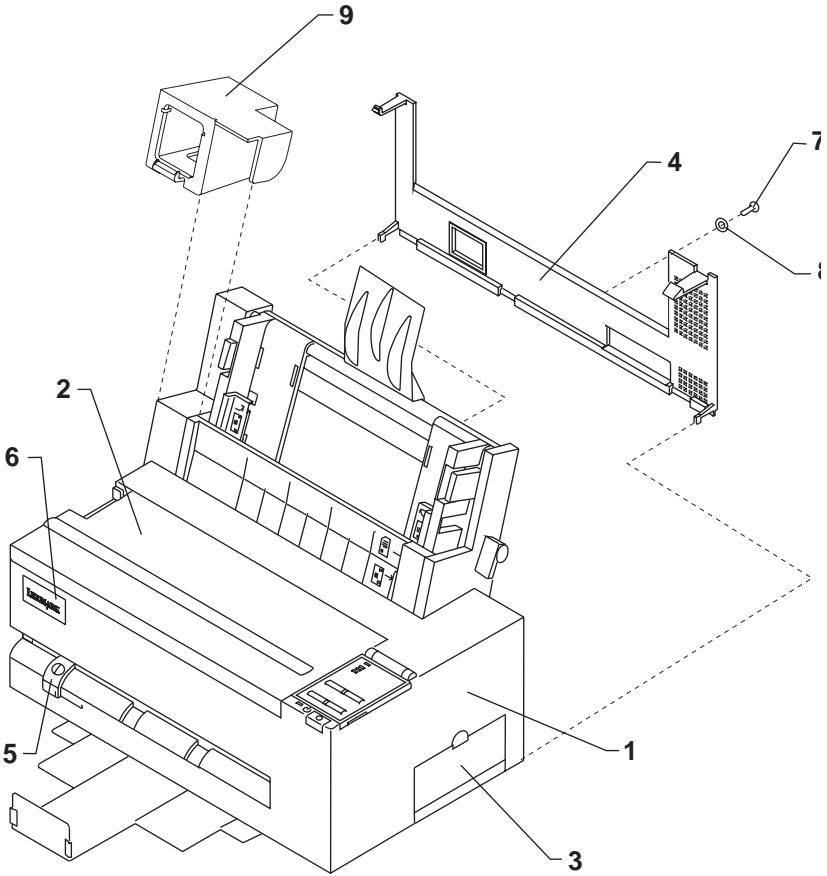
(One dot) o Detail parts of a main assembly

(One dot) o Subassembly of the main assembly

(Two dot) o o Detail part of a one-dot subassembly

(Two dot) o o Subassembly of a one-dot subassembly

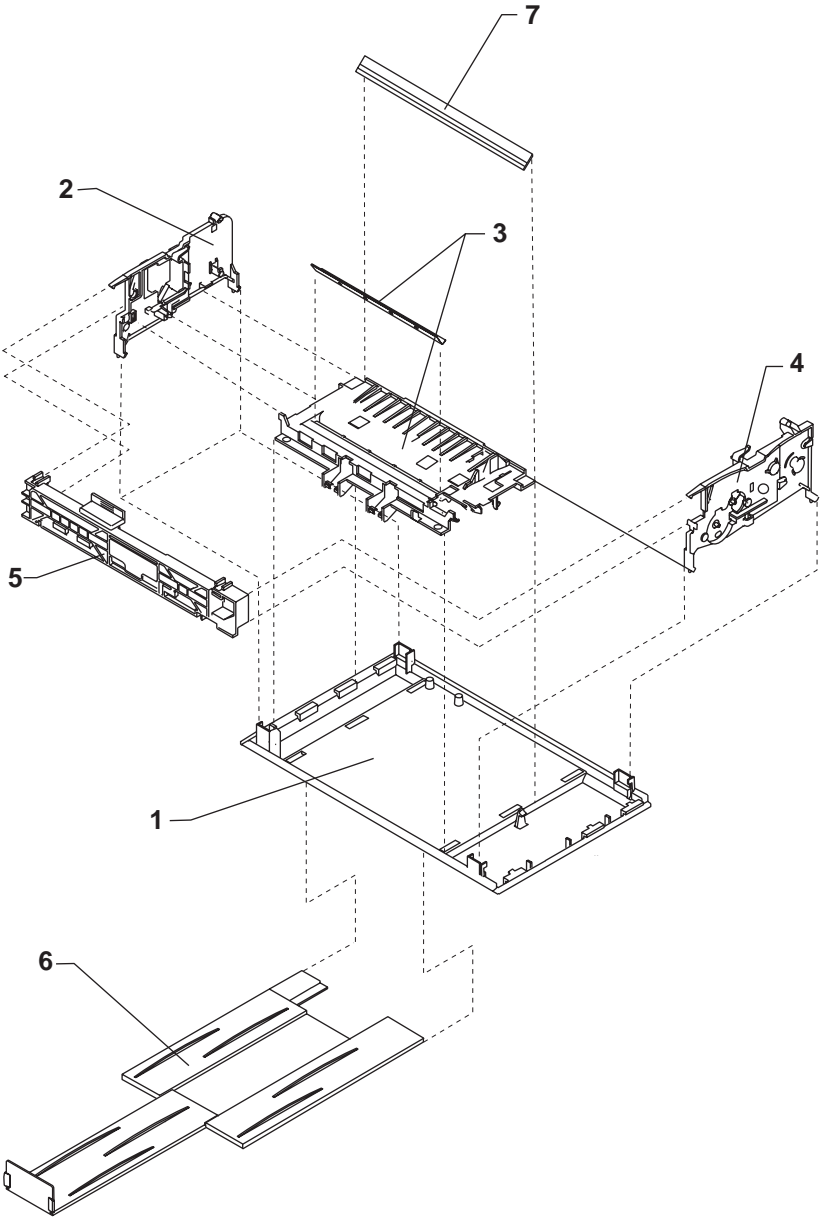
Assembly 1: Covers



4076-0XX

Asm. 1 Index	Part Number	Units	Description
1	1367099	1	Top Cover
2	1367487	1	Access Cover Asm
3	1367486	1	Font Card Door
4	1367479	1	Rear Cover
5	1367493	1	Left Output Guide
6	1367484	1	Logo, ExecJet II
6	1375486	1	Logo, ExecJet IIc
7		1	Screw, Parts Packet 1367169
8		1	Washer, Parts Packet 1367169
9	1425698	1	Print Cartridge Storage Unit, ExecJet IIc

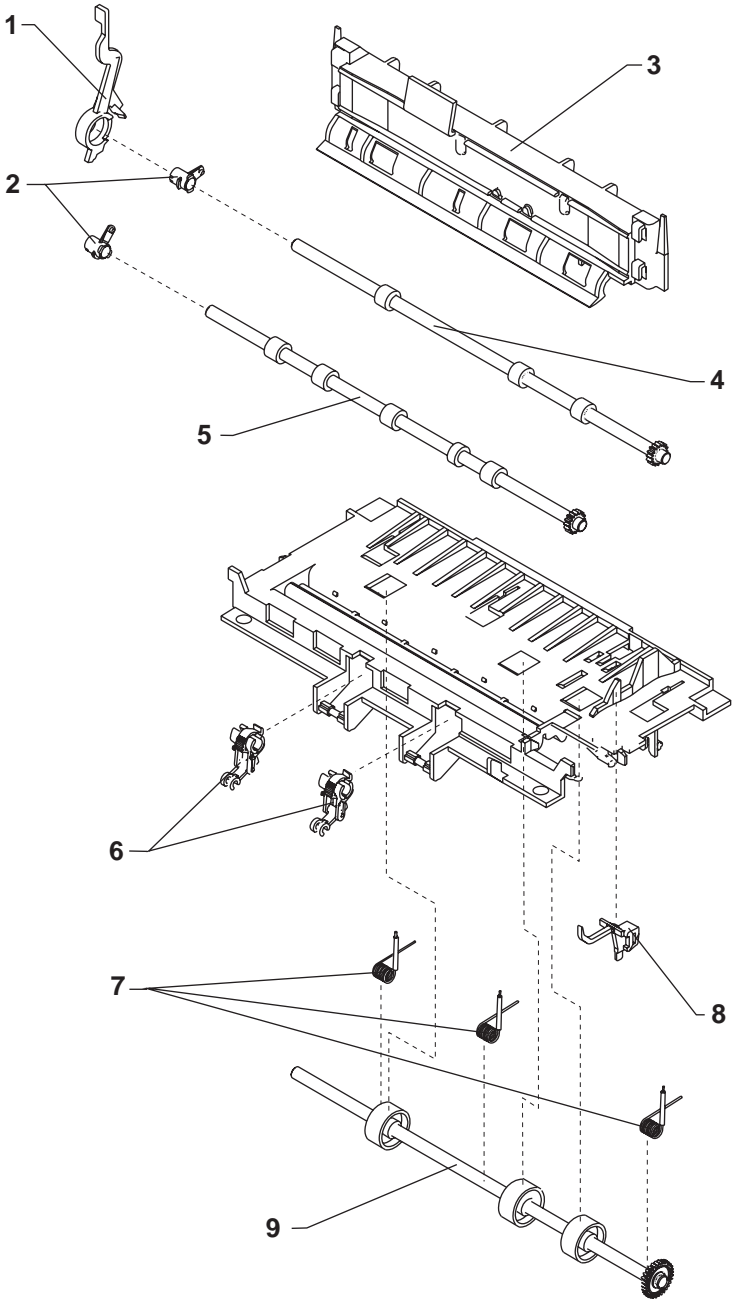
Assembly 2: Frames



4076-0XX

Asm. 2 Index	Part Number	Units	Description
1	1367489	1	Base Asm
2	1367209	1	Left Side Frame
3	1374349	1	Middle Frame Asm
4	1367229	1	Right Side Frame
5	1367309	1	Carrier Transport Motor Frame
6	1367199	1	Exit Tray Asm
7	1367079	1	Carrier Guide

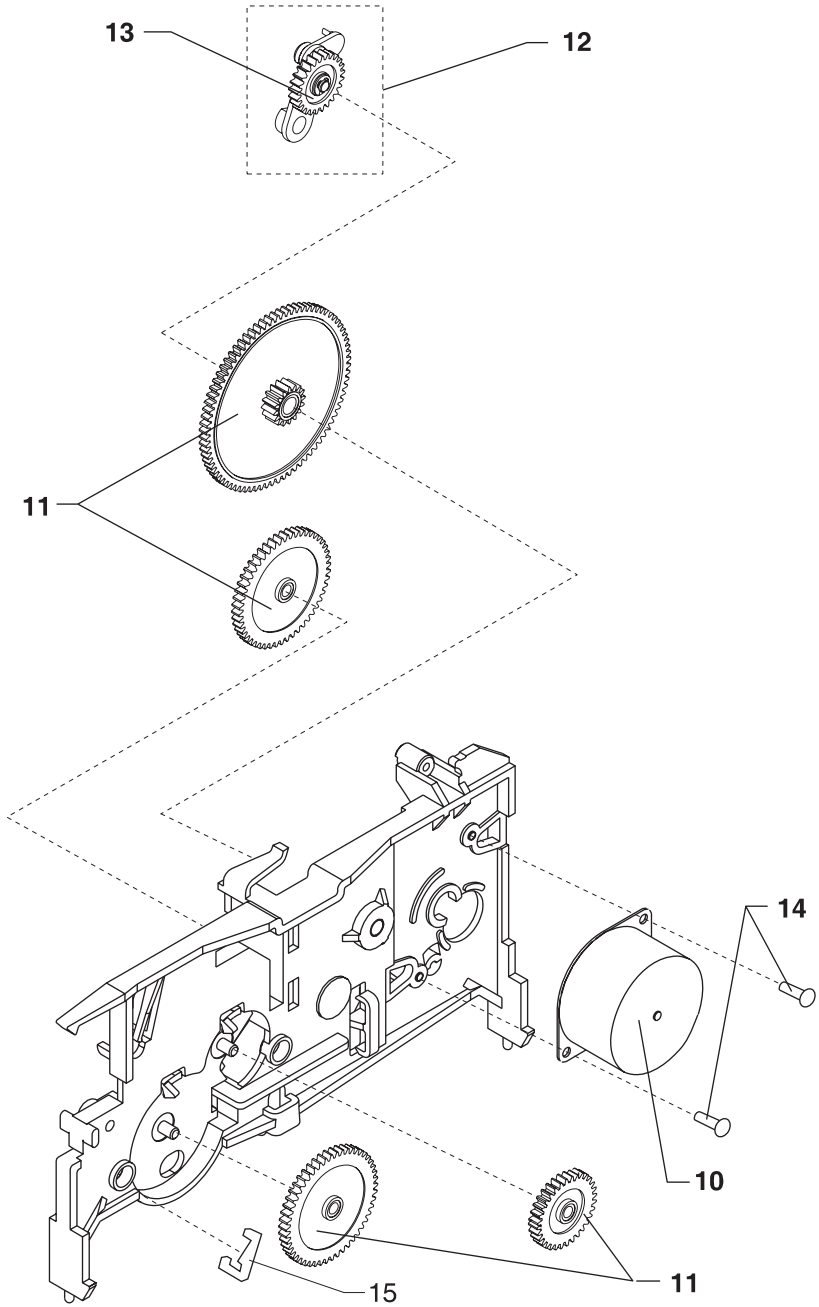
Assembly 3: Paper Feed



4076-0XX

Asm. 3 Index	Part Number	Units	Description
1	1367179	1	Paper Release Lever
2		2	Bushing, Parts Packet 1367169
3	1367339	1	Paper Guide
4	1367279	1	Small Feed Roller Asm
5	1367289	1	Exit Roller Asm
6	1367266	1	Ejector B/M
7		3	Spring, Parts Packet 1367169
8	1367049	1	End of Forms Flag
9	1367269	1	Large Feed Roller Asm

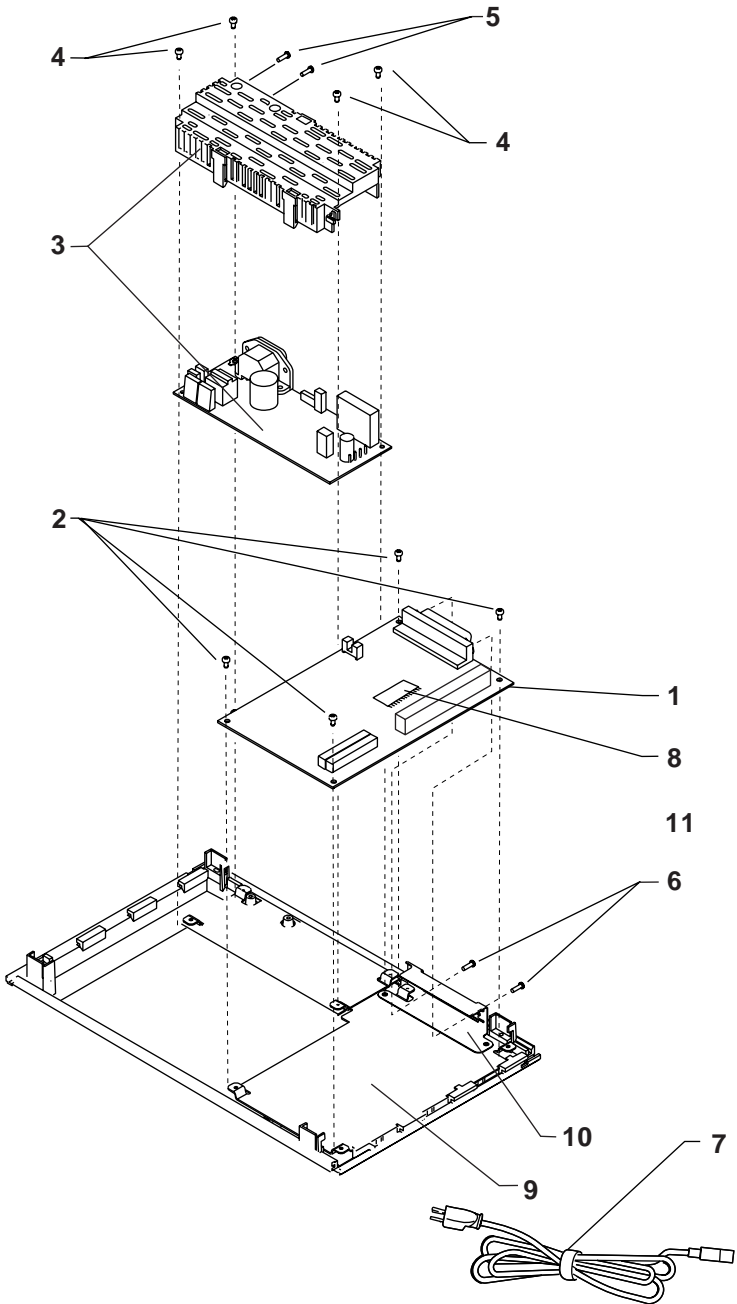
Assembly 3: Paper Feed (Cont.)



4076-0XX

Asm. 3 Index	Part Number	Units	Description
10	1367239	1	Paper Feed Motor Asm
11	1367249	1	Gears B/M
12	1367259	1	Feed Arm Asm
13		2	C-Clip, Parts Packet 1367169
14		2	Screw, Parts Packet 1367169
15	1374363	1	Retainer, Parts Packet (10)

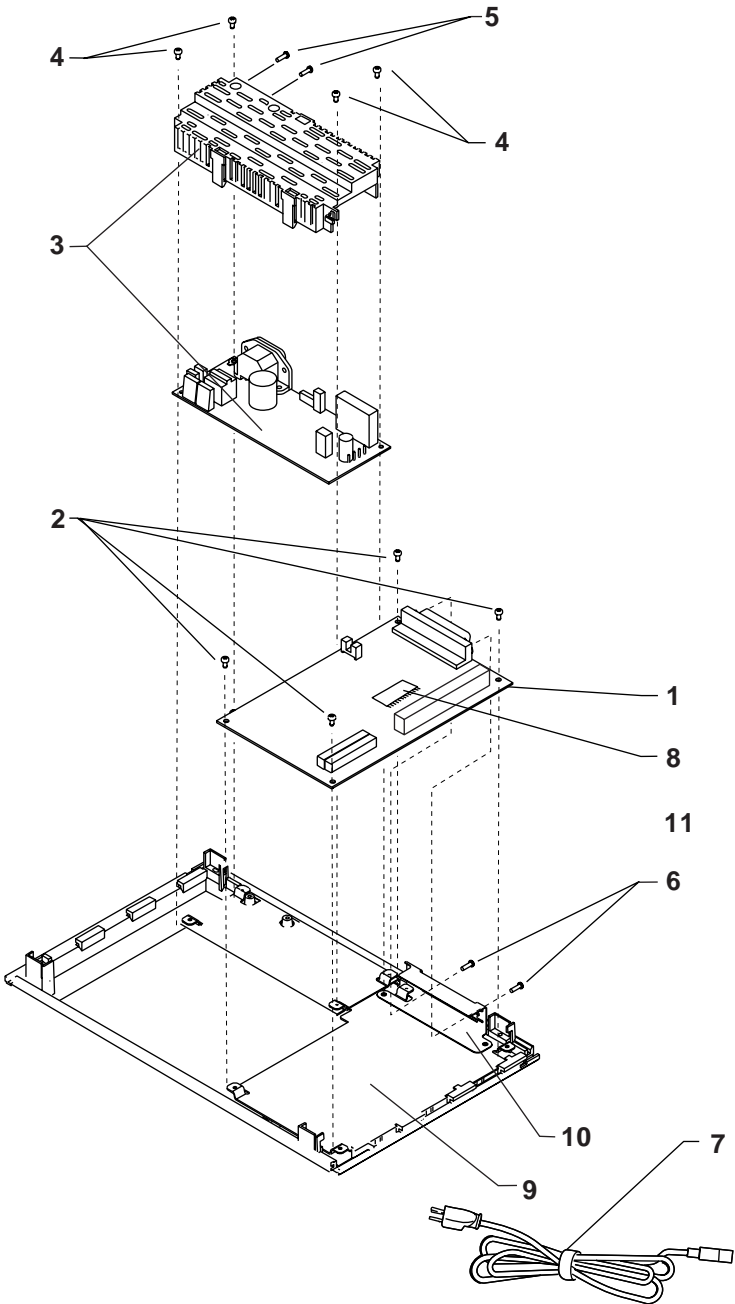
Assembly 4: Electronics



4076-0XX

Asm. 4 Index	Part Number	Units	Description
1	1374330	1	System Board, (No Code Module), ExecJet II
1	1375419	1	System Board, (No Code Module), ExecJet IIc
2		4	Screw, Parts Packet 1367169
3	1367189	1	Power Supply
4		4	Screw, Parts Packet 1367169
5		2	Screw, Parts Packet 1367169
6		2	Screw, Parts Packet 1367169
7	1430317	1	Power Cord, US
7	1342536	1	Power Cord, Argentina
7	1339520	1	Power Cord, Austria
7	1339520	1	Power Cord, Belgium
7	1342514	1	Power Cord, Bolivia
7	1342514	1	Power Cord, Brazil (LV)
7	1342530	1	Power Cord, Brazil (HV)
7	1430317	1	Power Cord, Canada
7	1342534	1	Power Cord, Chile
7	1342514	1	Power Cord, Columbia
7	1342514	1	Power Cord, Costa Rica
7	1339525	1	Power Cord, Denmark
7	1342514	1	Power Cord, Ecuador
7	1342514	1	Power Cord, El Salvador
7	1339520	1	Power Cord, Finland
7	1339520	1	Power Cord, France
7	1339520	1	Power Cord, Germany
7	1339520	1	Power Cord, Greece
7	1342514	1	Power Cord, Guatemala
7	1342514	1	Power Cord, Honduras
7	1339520	1	Power Cord, Iceland
7	1339519	1	Power Cord, Ireland
7	1339521	1	Power Cord, Israel
7	1339524	1	Power Cord, Italy
7	1342514	1	Power Cord, Mexico
7	1339520	1	Power Cord, Netherlands
7	1342514	1	Power Cord, Nicaragua
7	1339520	1	Power Cord, Norway

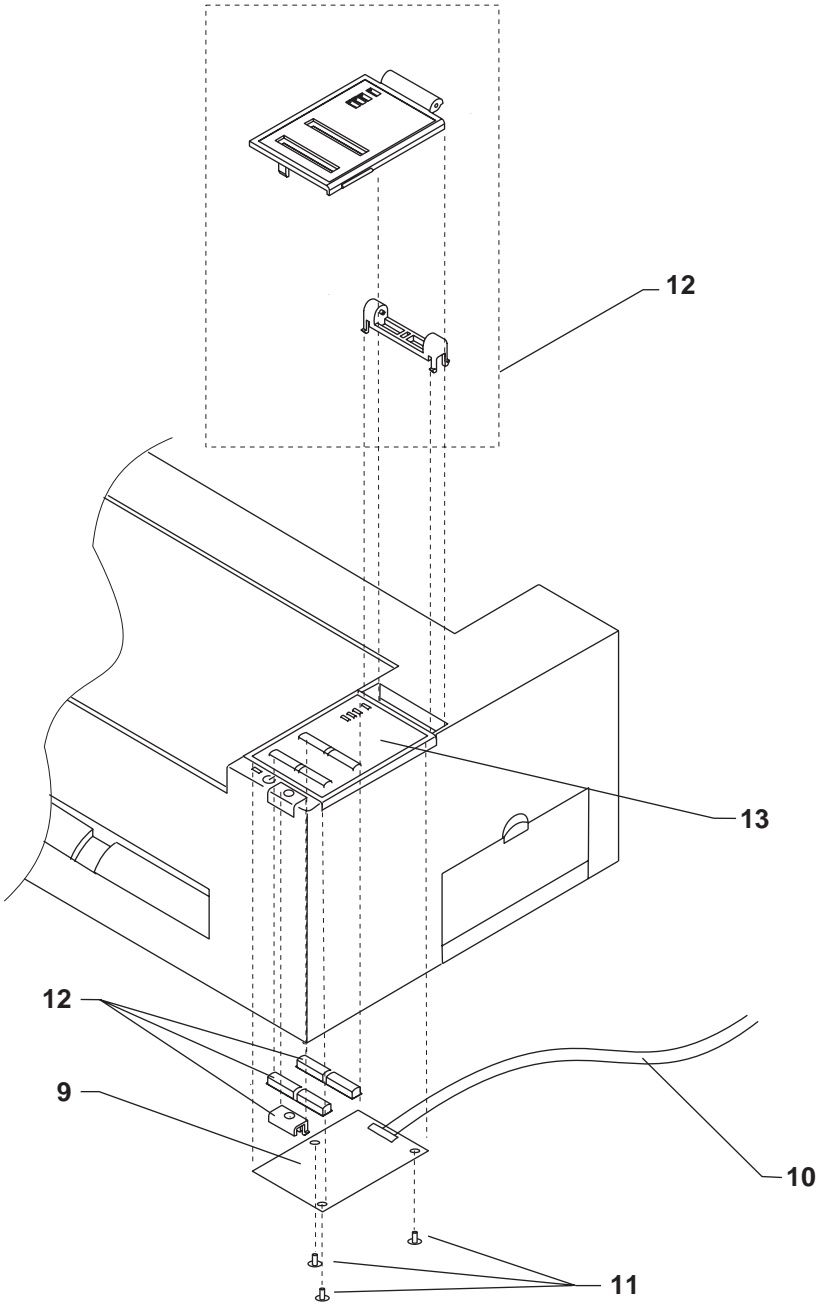
Assembly 4: Electronics (Cont.)



4076-0XX

Asm. 4 Index	Part Number	Units	Description
7	1342514	1	Power Cord, Panama
7	1342536	1	Power Cord, Paraguay
7	1342514	1	Power Cord, Peru
7	1339520	1	Power Cord, Portugal
7	1339523	1	Power Cord, South Africa
7	1339520	1	Power Cord, Spain
7	1339520	1	Power Cord, Sweden
7	1339522	1	Power Cord, Switzerland
7	1339520	1	Power Cord, Turkey
7	1339519	1	Power Cord, United Kingdom
7	1342536	1	Power Cord, Uruguay
7	1342514	1	Power Cord, Venezuela
8	1367039	1	Code Module, ExecJet II
8	1375418	1	Code Module, ExecJet IIc
8	1374327	1	Ground Plane
10	1374328	1	ESD Shield
NS	1374346	1	Logic Card Cover

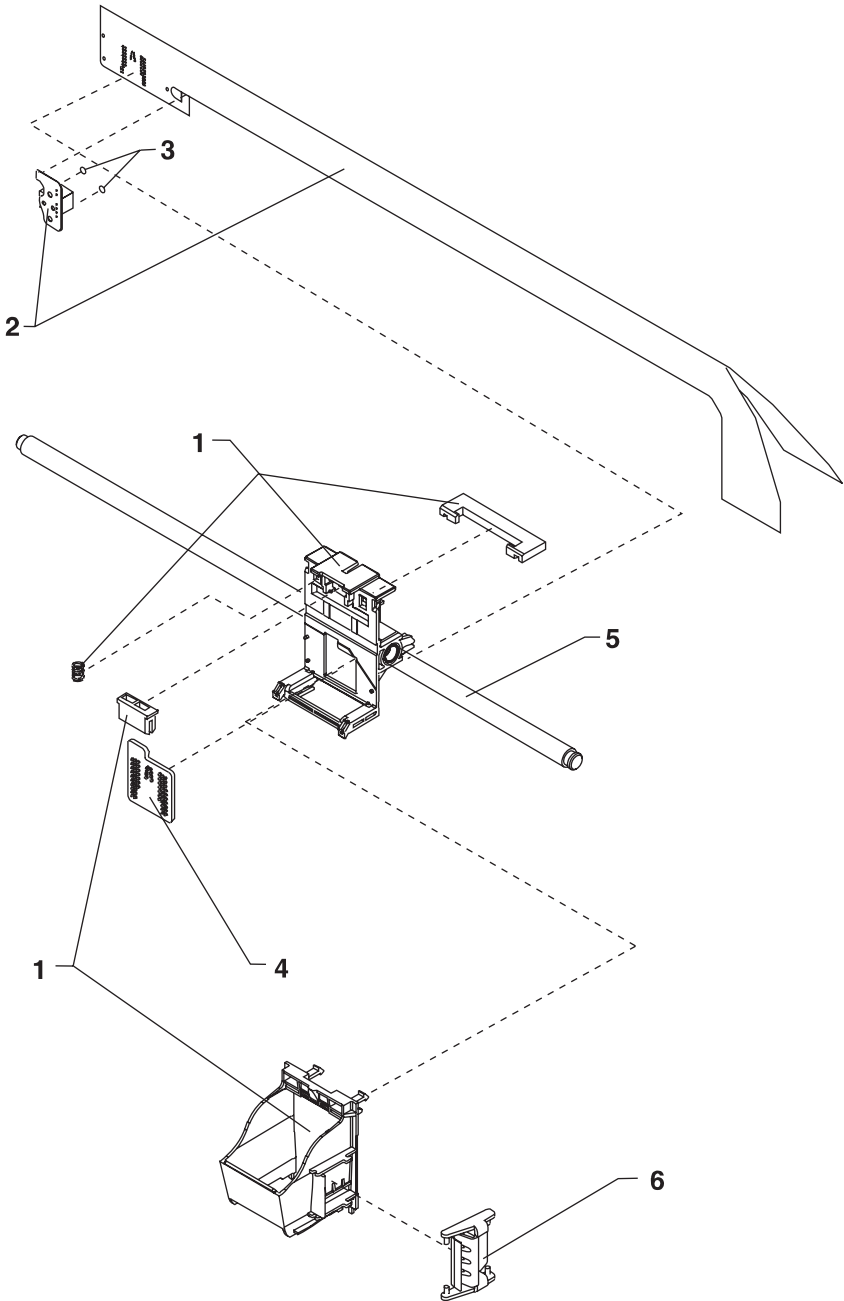
Assembly 4 Electronics (Cont.)



4076-0XX

Asm. 4 Index	Part Number	Units	Description
9	1367129	1	Operator Panel Card
10	1367141	1	Operator Panel Cable
11		3	Screw, Parts Packet 1367169
12	1367133	1	Operator Panel Door B/M
13	1367142	1	Door Overlay B/M
13	1367478	1	Door Overlay B/M, Non U.S.

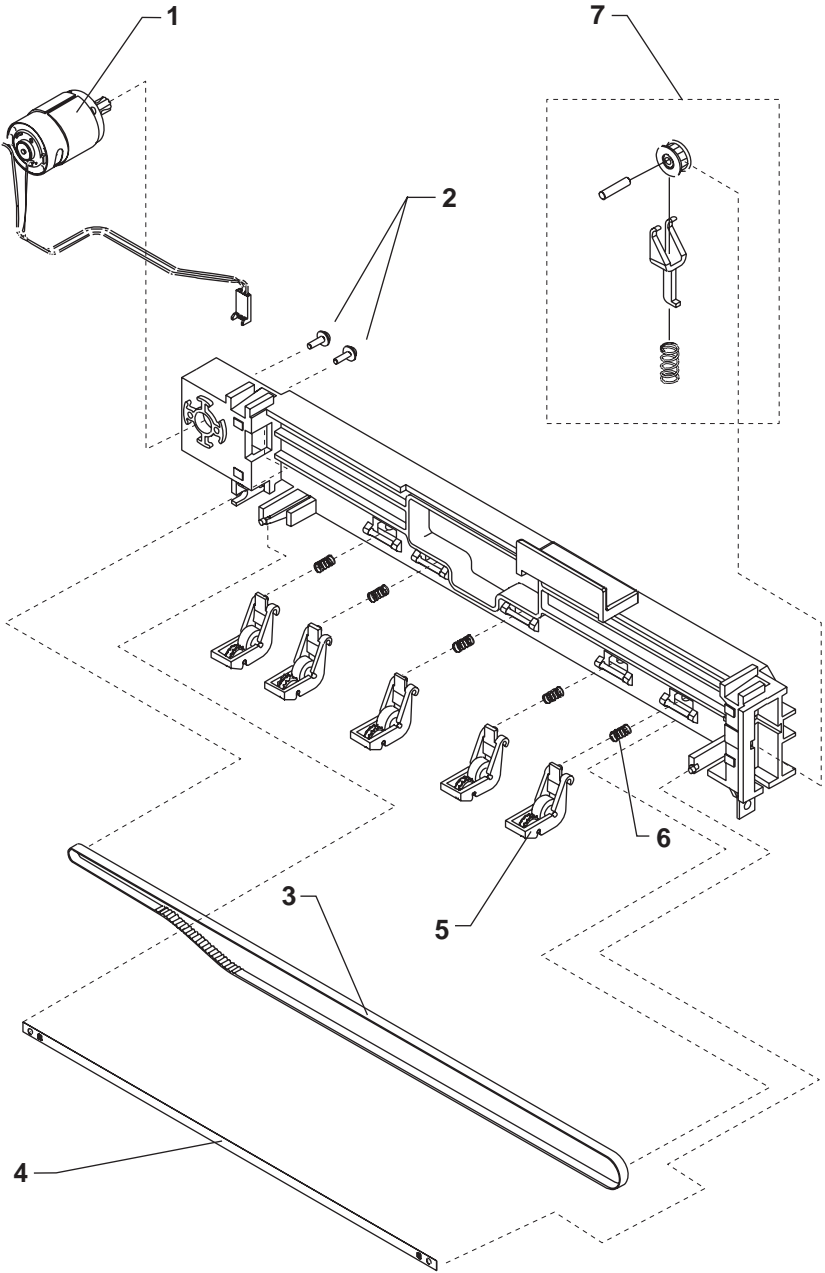
Assembly 5: Carrier



4076-0XX

Asm. 5 Index	Part Number	Units	Description
1	1367299	1	Print Head Carrier Asm
2	1367149	1	Cable, Print Head, and Encoder Card
	1425769	1	Encoder Card Only
3		2	Screw, Parts Packet 1367169
4	1367109	1	Rubber Backer
5	1367089	1	Guide Rod, Carrier
6		1	Clip, Parts Packet 1367169
NS	1374338	1	Toroid, Non Western Hemisphere

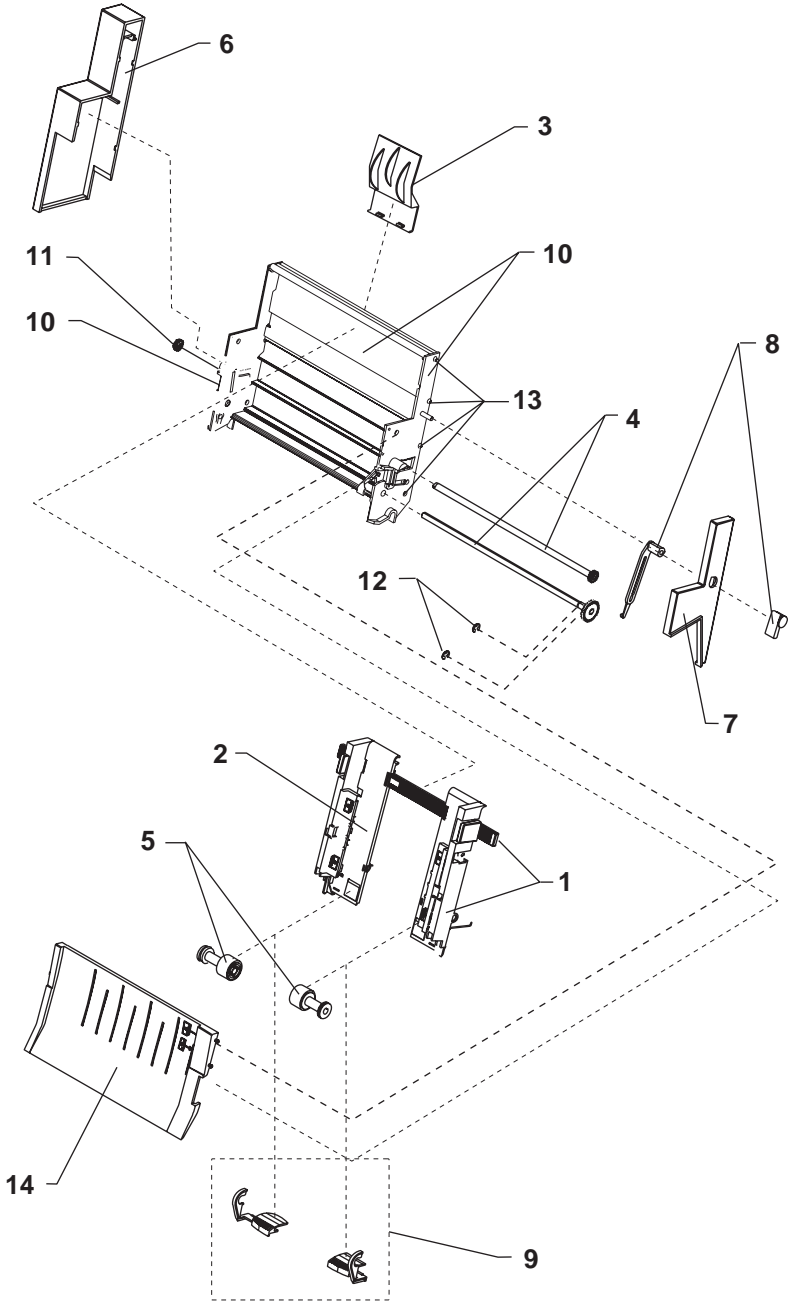
Assembly 6: Carrier Transport



4076-0XX

Asm. 6 Index	Part Number	Units	Description
1	1367319	1	Motor Asm
2		2	Screw, Parts Packet 1367169
3	1425748	1	Belt
4	1367379	1	Encoder Strip
5	1367349	1	Star Roller Asm, ExecJet II
5	1425705	1	Star Roller Asm, ExecJet IIc
6		5	Spring, Parts Packet 1367169
7	1367329	1	Idler Pulley B/M

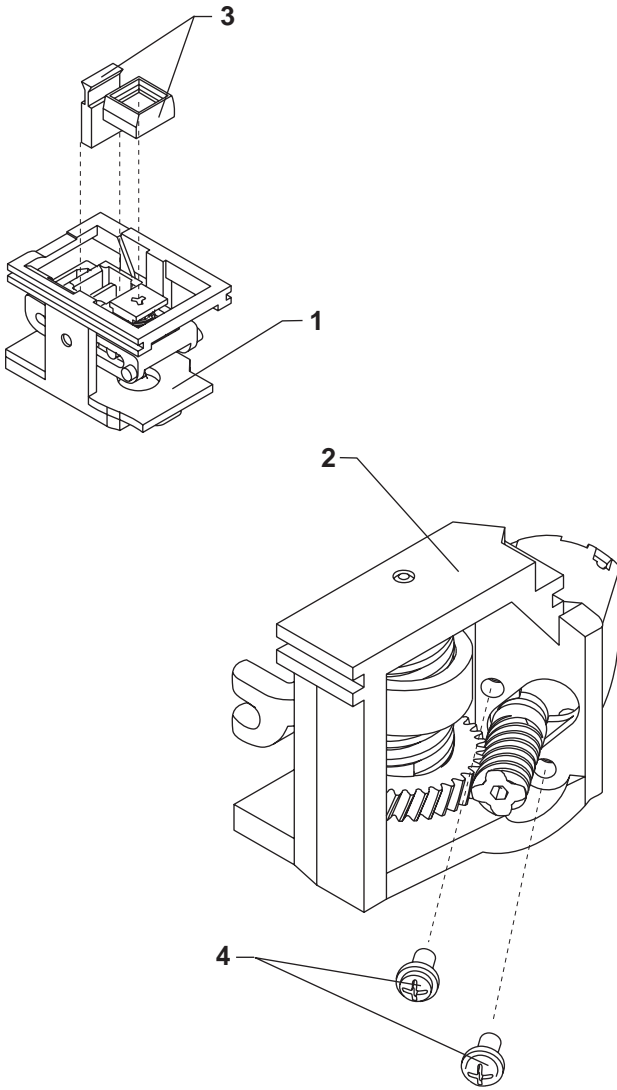
Assembly 7: Auto Sheet Feed



4076-0XX

Asm. 7 Index	Part Number	Units	Description
1	1367497	1	Right Edge Guide and Width Adjust Strip
2	1367498	1	Left Edge Guide Asm
3	1367439	1	Upper Paper Support
4	1367469	1	Pick Roll and Paper Load Shaft B/M
5	1367463	2	Pick Roll Hub Asm
6	1367449	1	Left Side Cover
7	1367459	1	Right Side Cover
8	1367029	1	Paper Load B/M
9	1367019	1	Envelope Buckler B/M
10	1367396	1	Side and Back Plate B/M
11	1367249	1	Gears B/M
12		2	E-Ring, Parts Packet 1367169
13		4	Screw, Parts Packet 1367169
14	1374340	1	Manual Insert Tray

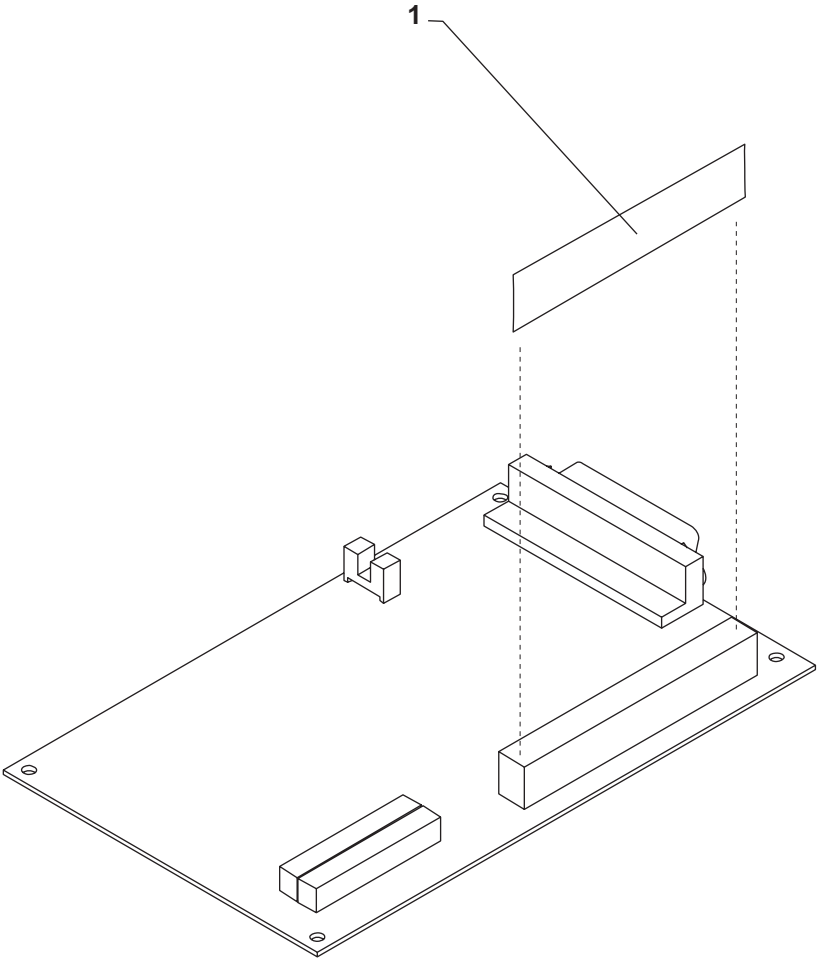
Assembly 8: Maintenance Station



4076-0XX

Asm. 8 Index	Part Number	Units	Description
1	1425669	1	Rocker Asm
2	1367399	1	Drive Asm
3	1367389	1	Wiper and Cap B/M
4		2	Screw, Parts Packet 1367169

Assembly 9: Options



4076-0XX

Asm. 9 Index	Part Number	Units	Description
1	1325283	1	256K Flash SIMM
1	1367139	1	256K RAM SIMM
NS	1363110	1	Serial Option
1	1325285	1	1MB FLASH SIMM
1	1325286	1	2MB FLASH SIMM