

Parts Breakdown

Color Jetprinter™ 4079 plus

4079-002

Extracted From Service Manual



LEXMARK™

Passion for printing ideas.™

Second Edition (May, 1997)

The following paragraph does not apply to the United Kingdom or any country where such provisions are inconsistent with local law: LEXMARK INTERNATIONAL, INC. PROVIDES THIS PUBLICATION "AS IS" WITHOUT WARRANTY OF ANY KIND, EITHER EXPRESS OR IMPLIED, INCLUDING, BUT NOT LIMITED TO, THE IMPLIED WARRANTIES OF MERCHANTABILITY OR FITNESS FOR A PARTICULAR PURPOSE. Some states do not allow disclaimer of express or implied warranties in certain transactions, therefore, this statement may not apply to you.

This publication could include technical inaccuracies or typographical errors. Changes are periodically made to the information herein; these changes will be incorporated in later editions of the publication. Improvements or changes in the products or the programs described in this publication may be made at any time. Publications are not stocked at the address given below; requests for publications should be made to your point of purchase.

Comments may be addressed to Lexmark International, Inc., Department D22A/035-3, 740 New Circle Road NW, Lexington, Kentucky 40550, U.S.A. Lexmark may use or distribute any of the information you supply in any way it believes appropriate without incurring any obligation to you.

Lexmark is a trademark of Lexmark International, Inc., registered in the United States and/or other countries.

Color Jetprinter is a trademark of Lexmark International, Inc.

Other trademarks are the property of their respective owners.

**©Copyright Lexmark International, Inc. 1995, 1997
All rights reserved.**

UNITED STATES GOVERNMENT RESTRICTED RIGHTS

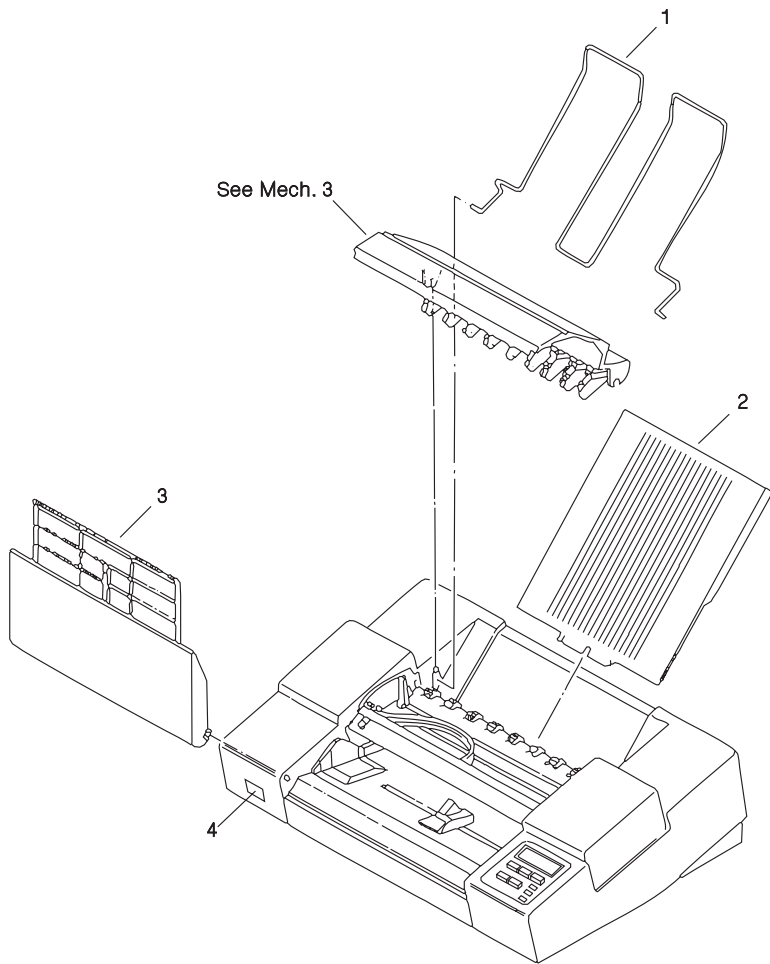
This software and documentation are provided with RESTRICTED RIGHTS. Use, duplication or disclosure by the Government is subject to restrictions as set forth in subparagraph (c)(1)(ii) of the Rights in Technical Data and Computer Software clause at DFARS 252.227-7013 and in applicable FAR provisions: Lexmark International, Inc., Lexington, KY 40550 USA.

7. Parts Catalog

How To Use This Parts Catalog

- **SIMILAR ASSEMBLIES:** If two assemblies contain a majority of identical parts, they are broken down on the same list. Common parts are shown by one index number. Parts peculiar to one or the other of the assemblies are listed separately and identified by description.
- **NS:** (Not Shown) in the Asm-Index column indicates that the part is procurable but is not pictured in the illustration.
- **PP:** (Parts Packet) in the description column indicates the part is contained in a parts packet.
- **INDENTURE:** The indenture is marked by a series of dots located before the parts description. The indenture indicates the relationship of a part to the next higher assembly. For example:
 - INDENTURE RELATIONSHIP OF PARTS
 - (No dot) MAIN ASSEMBLY
 - (One dot) • Detail parts of a main assembly
 - (One dot) • Subassembly of the main assembly

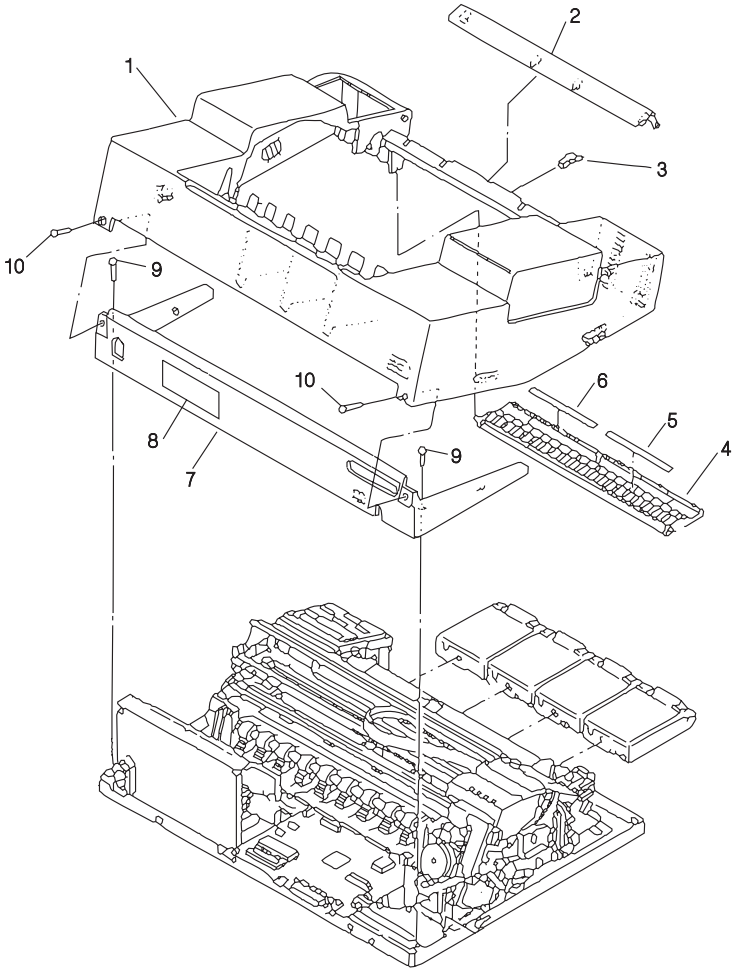
Assembly 1: Covers



4079-00X

Asm-Index	Part Number	Units	Description
1-1	1321701	1	Support, Paper
-2	1321703	1	Guide, Printed Paper, 4079-001
-2	1373324	1	Guide, Printed Paper, 4079-002
-3	1321704	1	Cover, Front, 4079-001
-3	1373325	1	Cover, Front, 4079-002
-4	1321707	1	Label, Serial Number

Assembly 2: Covers (Cont.)

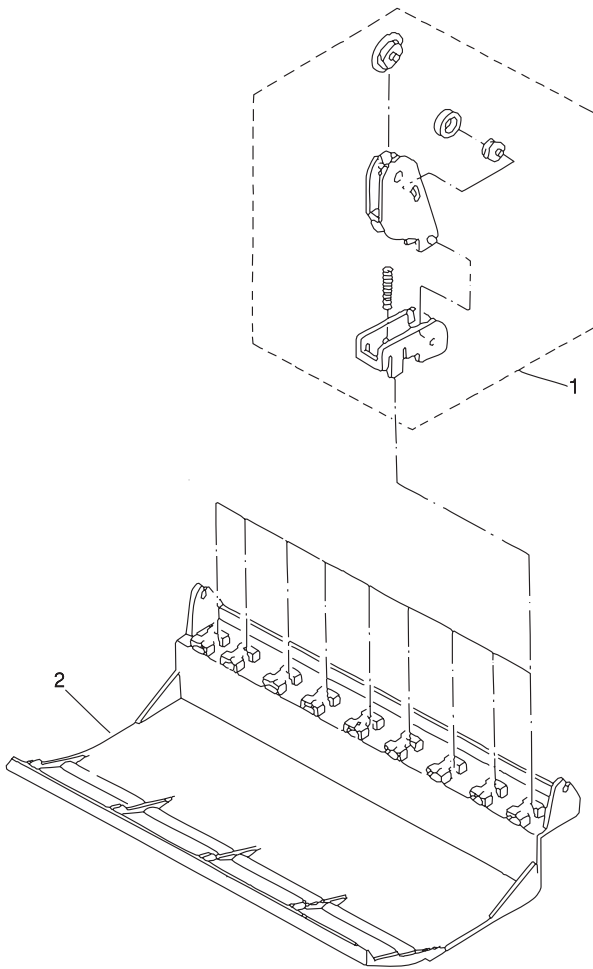


4079-00X

Asm-Index	Part Number	Units	Description
2-1	1321708	1	Top Cover (with logo),4079-001
-1	1373326	1	Top Cover (with Logo) 4079-002
-2	1321709	1	Plate, Upper Cover, 4079-001
-2	1373366	1	Plate, Upper Cover, 4079-002
-3	1321710	1	Coupler
-4	1321711	1	Cover, Ink Cartridge (also order refs. 5 and 6), 4079-001
-4	1373368	1	Cover, Ink Cartridge (also order refs. 5 and 6), 4079-002
-5	1321712	1	Label, Ink Cartridge, Left, 4079-001
-5	1373369	1	Label, Ink Cartridge, Left, 4079-002
-6	1321713	1	Label, Ink Cartridge, Right, 4079-001
-6	1373370	1	Label, Ink Cartridge, Right, 4079-002
-7	1321870	1	Cover, Rear w/U.S. Electrical label, 4079-001
-7	1373343	1	Cover. Rear w/US Electrical Label, 4079-002
-7	1321872	1	Cover, Rear w/W.T. Electrical label, 4079-001
-7	1373347	1	Cover, Rear w/W.T. Electrical label, 4079-002
-8	1331690	1	Label, FCC, 4079-001
-8	1373132	1	Label, FCC, 4079-002
-9	1321861	2	Screw
-10	1321863	2	Screw

4079-00X

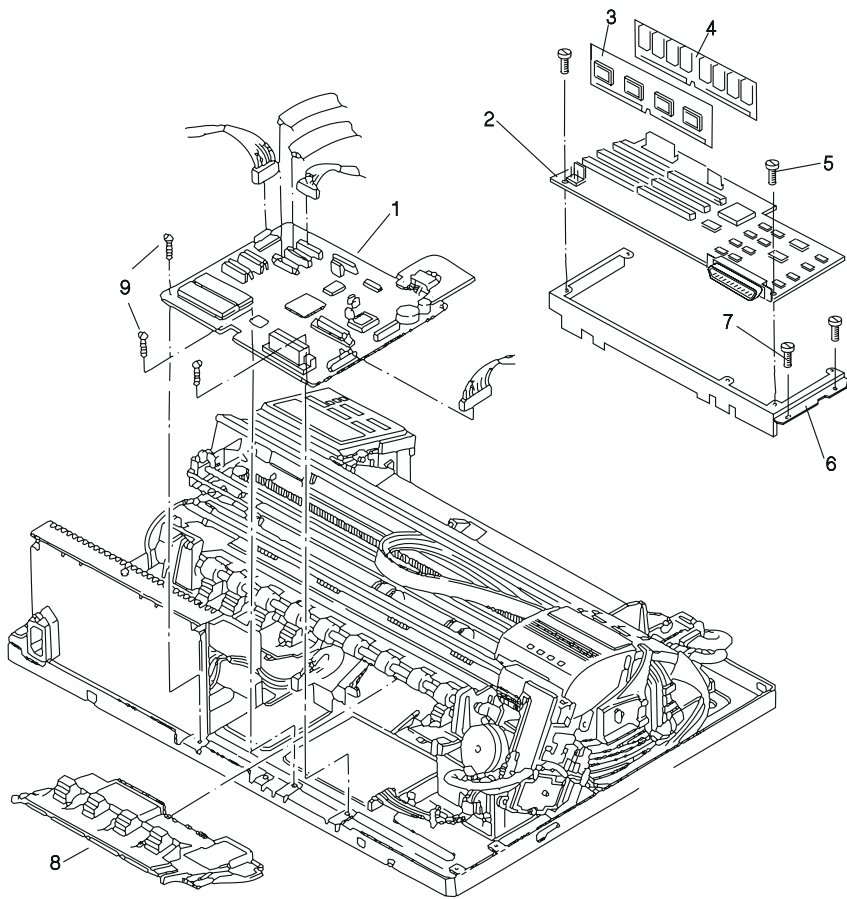
Assembly 3: Inner Cover



4079-00X

Asm-Index	Part Number	Units	Description
3-1	1321717	1	Spur Unit Assembly
-2	1321716	1	Cover, Inner (Access Cover), 4079-001
-2	1373359	1	Cover, Inner (Access Cover), 4079-002

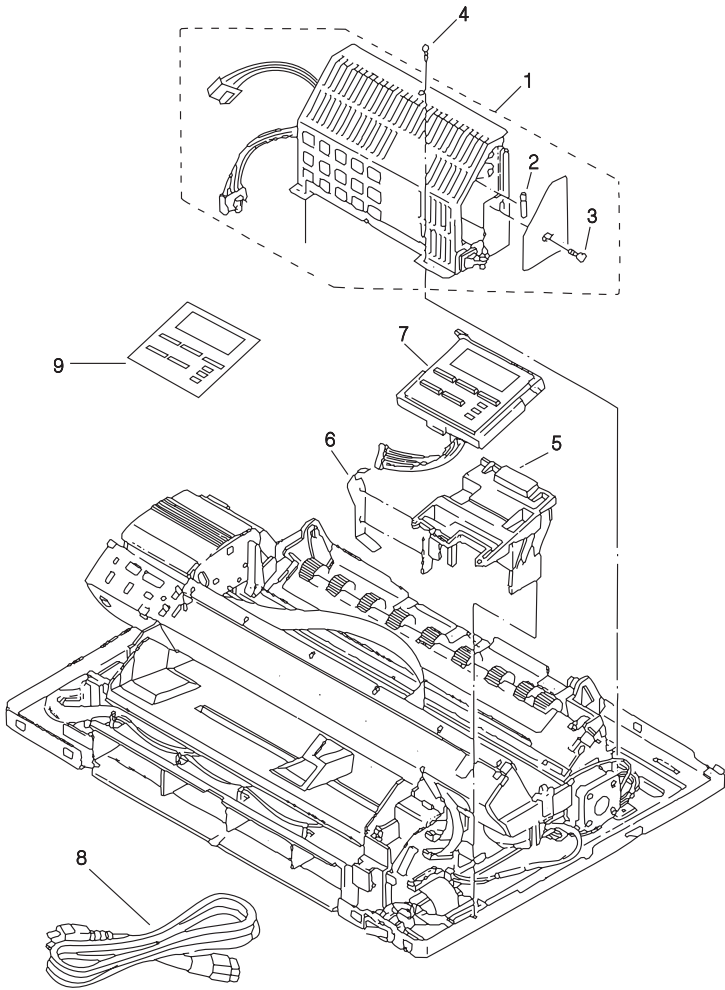
Assembly 4: Printer Electronics



4079-00X

Asm-Index	Part Number	Units	Description
4-1	1321719	1	Logic Board, 4079-001
-1	1373371	1	Logic Board, 4079-002
-2	1321825	1	Controller Board, 4079-001 (does not include EPROM Controller Card or Memory SIMM)
-2	1373373	1	Controller Board (does not include EPROM Controller Card, memory is on the board), 4079-002
-3	1321880	1	EPROM, Control Card, 4079-001
-3	1373363	1	EPROM, Control Card, 4079-002
-4	1364877	1	Memory SIMM 4 MB, 4079-001
-5	1621171	3	Screw, Controller Board
-6	1321824	1	Bracket
-7	1321861	5	Screw, Bracket
-8	1321718	1	Cover, Card, 4079-001
-8	1373327	1	Cover, Card, 4079-002
-9	1321864	3	Screw, Logic Board
NS	1321866	1	Y-Cable, Serial/Parallel

Assembly 5: Power Supply and Control Panel

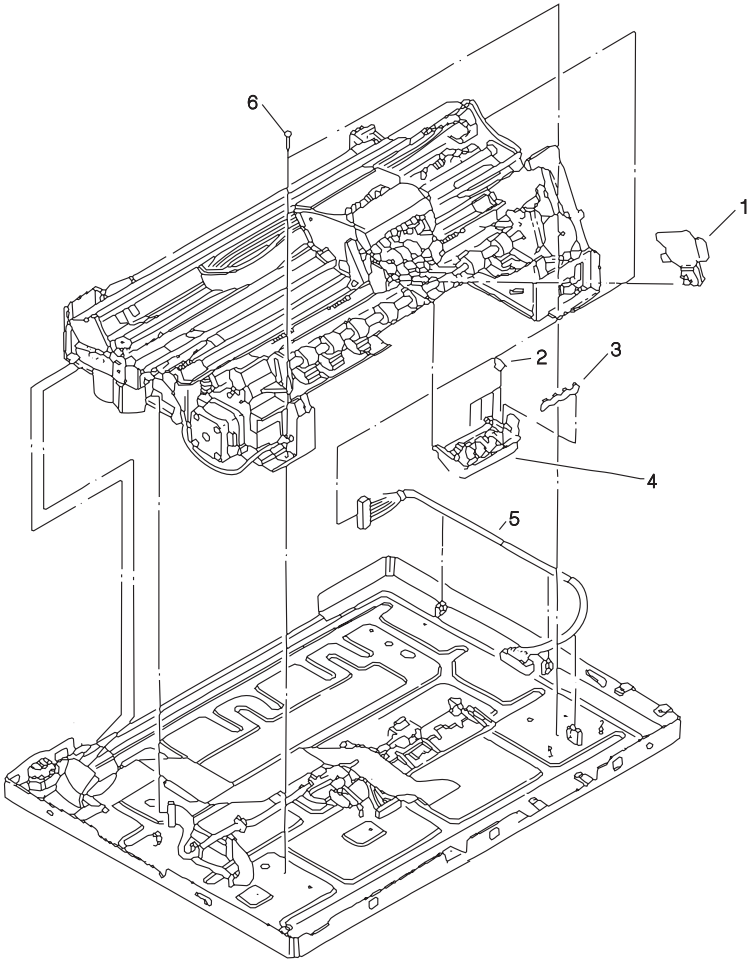


4079-00X

Asm-Index	Part Number	Units	Description
5-1	1321884	1	Power Supply, 120 V
-1	1321885	1	Power Supply, 220 V
-2	1321726	1	● Fuse, 125 V 3.15 A
-2	1321727	1	● Fuse, 250 V 2.0 A
-3	1321858	1	● Screw
-4	1321863	1	● Screw
-5	1321729	1	Base, Control Panel
-6	1321832	1	Plate, Grounding (also in PP 1321820)
-7	1321728	1	Panel, Control, 4079-001 (with English Overlay)
-7	1373328	1	Panel, Control, 4079-002 (with English Overlay)
-8	1342514	1	Cord, Power, US
-8	1339520	1	Cord, Power, Europe
-8	1339525	1	Cord, Power, Denmark
-8	1339524	1	Cord, Power, Italy
-8	1339521	1	Cord, Power, Israel
-8	1339523	1	Cord, Power, South Africa
-8	1339522	1	Cord, Power, Switzerland
-8	1339519	1	Cord, Power, UK
-9	1321827	1	Overlay, Control Panel, 4079-001 (WT Overlay Kit)
-9	1373339	1	Overlay, Control Panel, French, 4079-002
-9	1373340	1	Overlay, Control Panel, German, 4079-002
-9	1373341	1	Overlay, Control Panel, Italian, 4079-002
-9	1373342	1	Overlay, Control Panel, Spanish, 4079-002

4079-00X

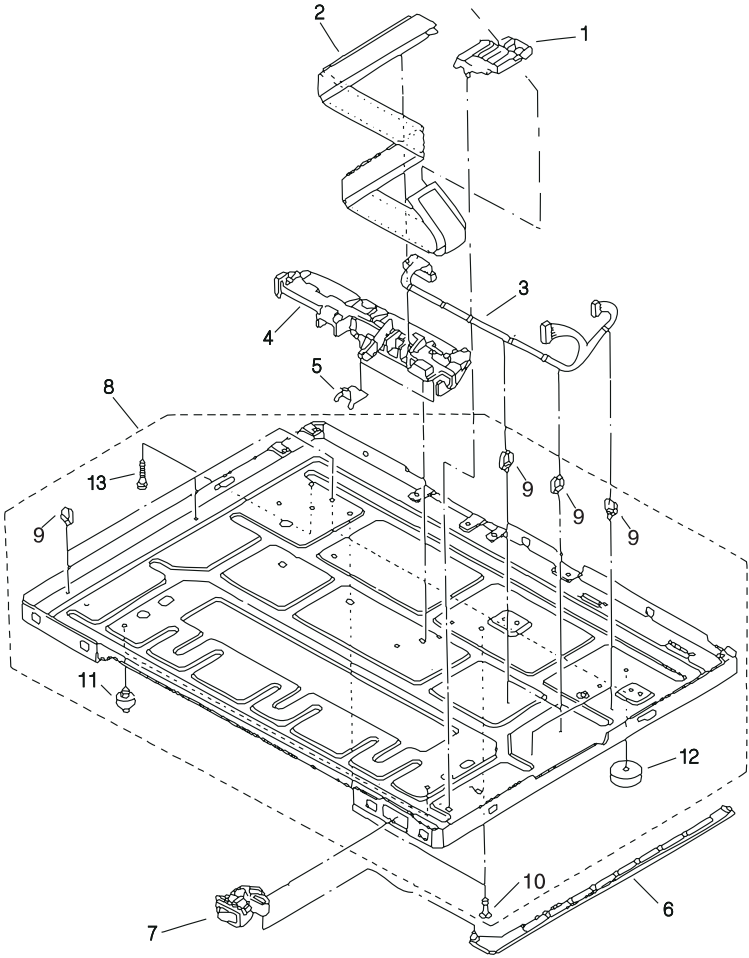
Assembly 6: Carriage and Printhead



4079-00X

Asm-Index	Part Number	Units	Description
6-1	1321731	1	Printhead
-2	1321833	1	Clip, Head Cover Stabilizer
-3	1321834	1	Clip, Head Cover Stabilizer
-4	1321730	1	Cover, Printhead
-5	1321732	1	Cable, Connector Card Left
-6	1321863	1	Screw

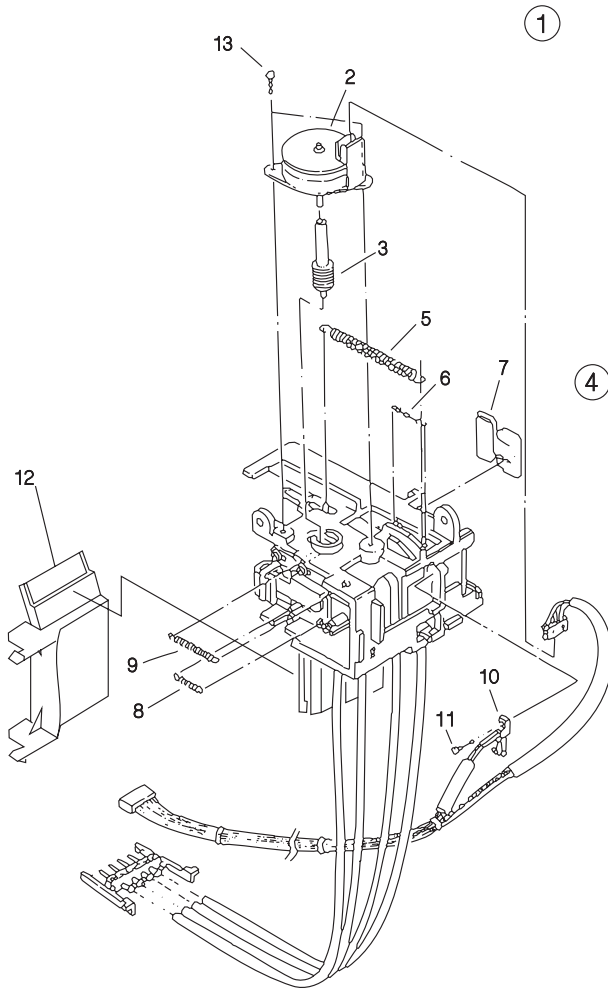
Assembly 7: Base



4079-00X

Asm-Index	Part Number	Units	Description
7-1	1321733	1	Guide, Ribbon Cable
-2	1321734	1	Ribbon Cable
-3	1321735	1	Motor Cable
-4	1321736	1	Holder, Logic Card, 4079-001
-4	1373336	1	Holder. Logic Card, 4079-002
-5	1321836	1	Plate, Grounding (also in PP 1321820)
-6	1321737	1	Arm, Power Switch Actuating
-7	1321738	1	Switch, Power, 4079-001
-7	1373330	1	Switch, Power, 4079-002
-8	1321739	1	Base Assembly
-9		1	● Clamp-Misc. PP 1321822
-10		1	● Spacer-Misc. PP 1321822
11	1321741	2	● Foot, Front
-12	1321740	2	● Foot, Rear
-13	1321860	1	● Screw

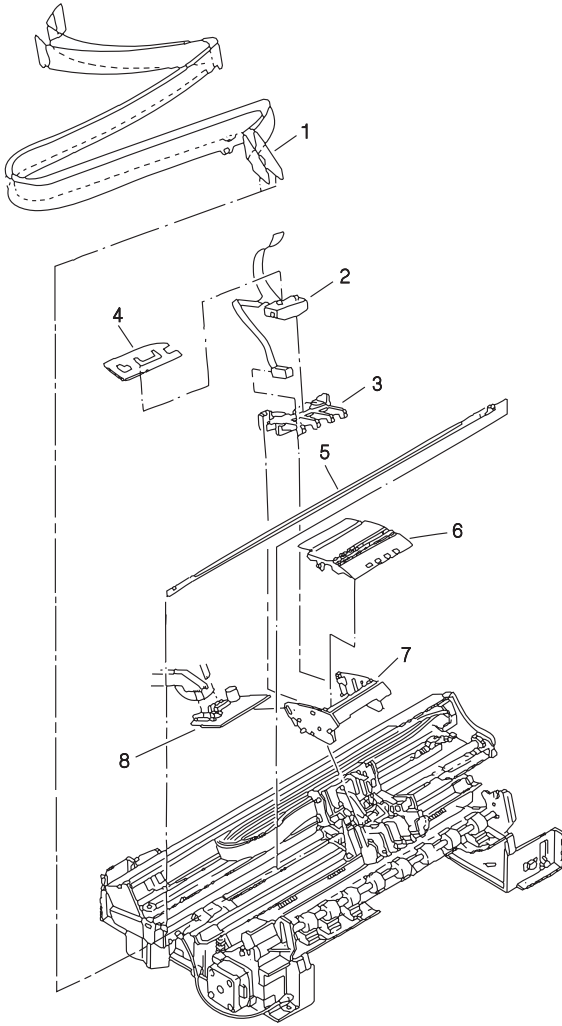
Assembly 8: Purge Unit



4079-00X

Asm-Index	Part Number	Units	Description
8-1	1321743	1	Purge Unit Assembly
-2	1321745	1	Motor, Purge Unit
-3	1321746	1	● Gear, Worm
-4	1321744	1	Purge Maintenance Kit
-5		1	● Spring
-6		1	● Spring
-7	1321837	1	● Ink Absorber
-8		1	● Spring
-9		1	● Spring
-1	1321747	1	Sensor and Cable
-10	1321857	1	Screw
-12	1321865	1	Cover, Purge Unit Hose
-13	1321859	2	Screw

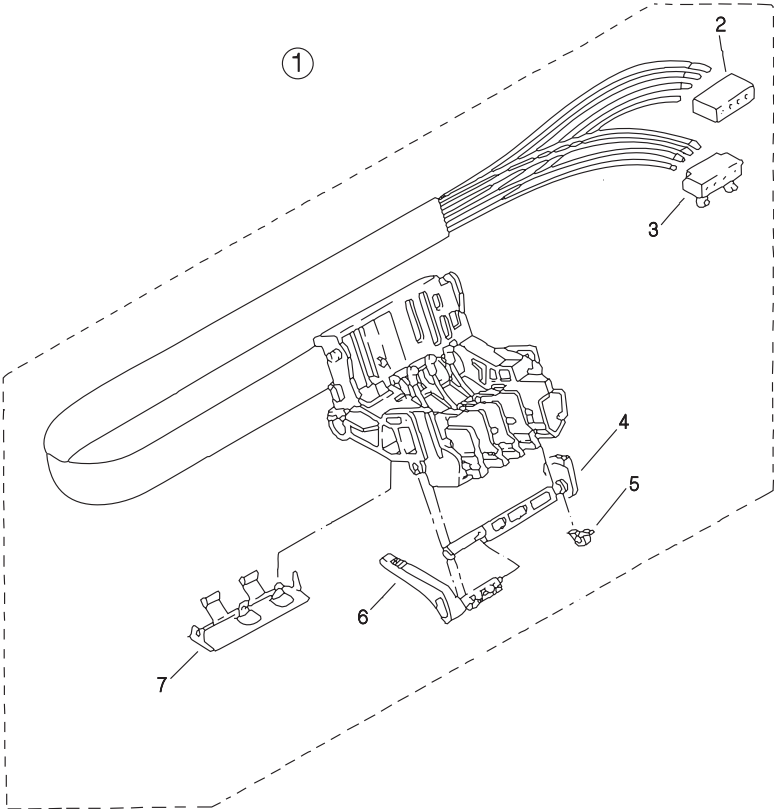
Assembly 9: Print Timing Encoder



4079-00X

Asm-Index	Part Number	Units	Description
9-1	1321752	1	Cable, Carriage (inc. re 11-3)
-2	1321754	1	Linear Encoder/Paper Width Sensor
-3	1321838	1	Holder, Encoder
-4	1321878	1	Cover, Sensor
-5	1321749	1	Slit, Print Timing
-6	1321750	1	Cover, Carriage Card Holder
-7	1321751	1	Holder, Carriage Card
-8	1321753	1	Card, Carriage

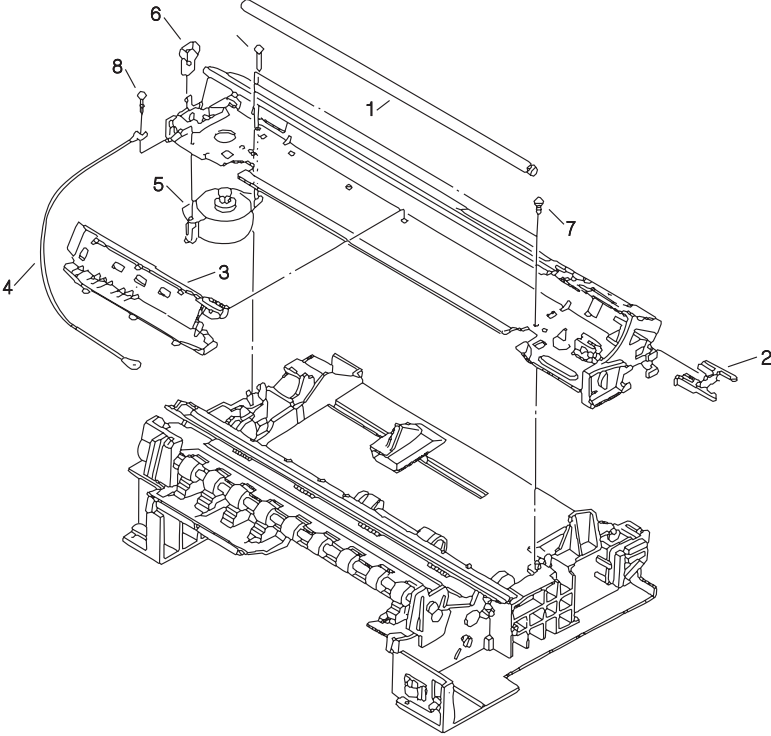
Assembly 10: Carriage Ink Supply



4079-00X

Asm-Index	Part Number	Units	Description
10-1	1321888	1	Carriage Ink Supply Assembly
-2	1321756	1	● Joint, Supply
-3	1321757	1	● Joint, Pump
-4	1321839	1	● Shaft, Head Gap Adjustment
-5	1321840	1	● Clamp, Head Gap Adjustment
-6	1321759	1	● Lever, Head Gap Adjustment, 4079-001
-6	1373331	1	● Lever, Head Gap Adjustment, 4079-002
-7	1321758	1	● Guide, Carriage shaft Assembly

Assembly 11: Carriage Drive

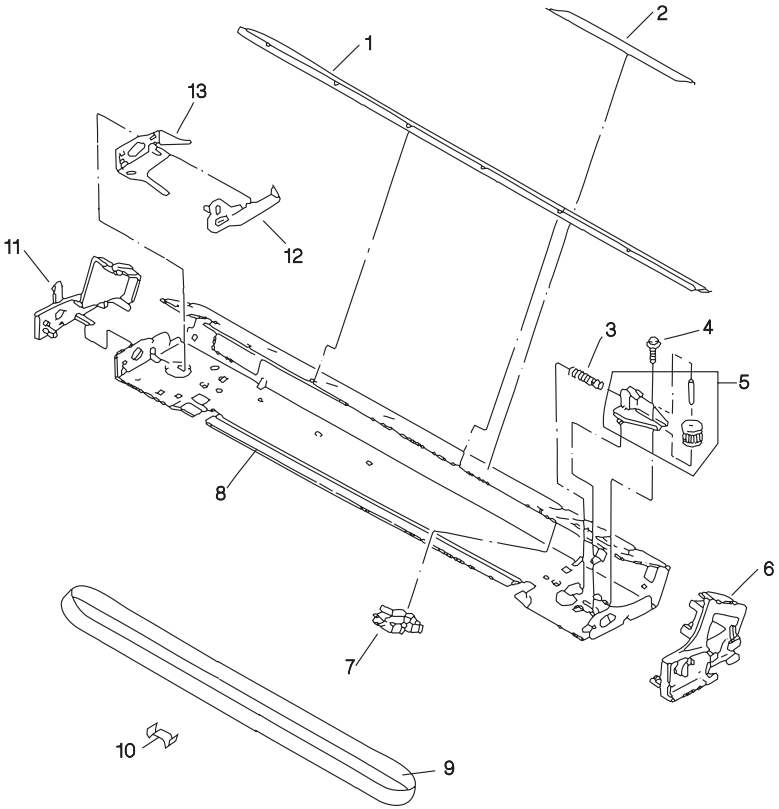


4079-00X

Asm-Index	Part Number	Units	Description
11-1	1321764	1	Shaft, Carriage
-2	1321762	1	Holder, Joint
-3	1321761	1	Guide, Ink Tube
-4	1321765	1	Cable, Ground
-5	1321760	1	Motor, Carriage Drive
-6	1321763	1	Stopper
-7	1321863	1	Screw
-8	1321819	1	Screw

4079-00X

Assembly 12: Carriage Drive Frame

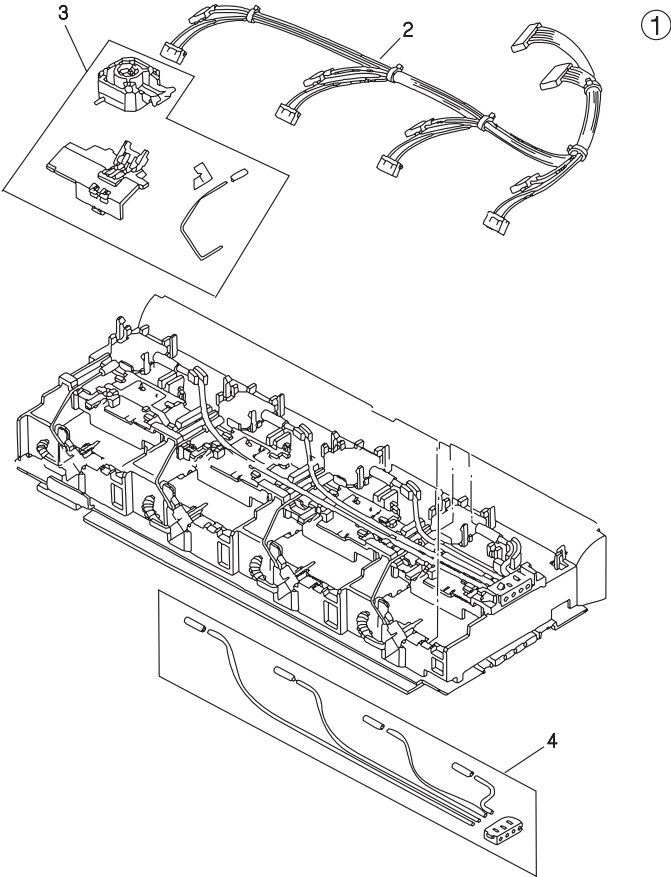


4079-00X

Asm-Index	Part Number	Units	Description
12-1	1321766	1	Guide, Carriage
-2	1321772	1	Label, Carriage Instructions
-3	1321842	1	Spring
-4	1321863	1	Screw
-5	1321770	1	Idler Assembly, Carriage Belt
-6	1321769	1	Plate, Right Frame
-7	1321767	1	Lever, Carriage Lock, 4079-001
-7	1373332	1	Lever, Carriage Lock, 4079-002
-8	1321773	1	Frame, Carriage
-9	1321774	1	Belt Assembly, Carriage
-10	1321843	1	Clamp (Also in Misc. Pkg. 1321822)
-11	1321771	1	Plate, Left Frame
-12	1321768	1	Hook, Print Timing Slit
-13	1321841	1	Spring, Leaf

4079-00X

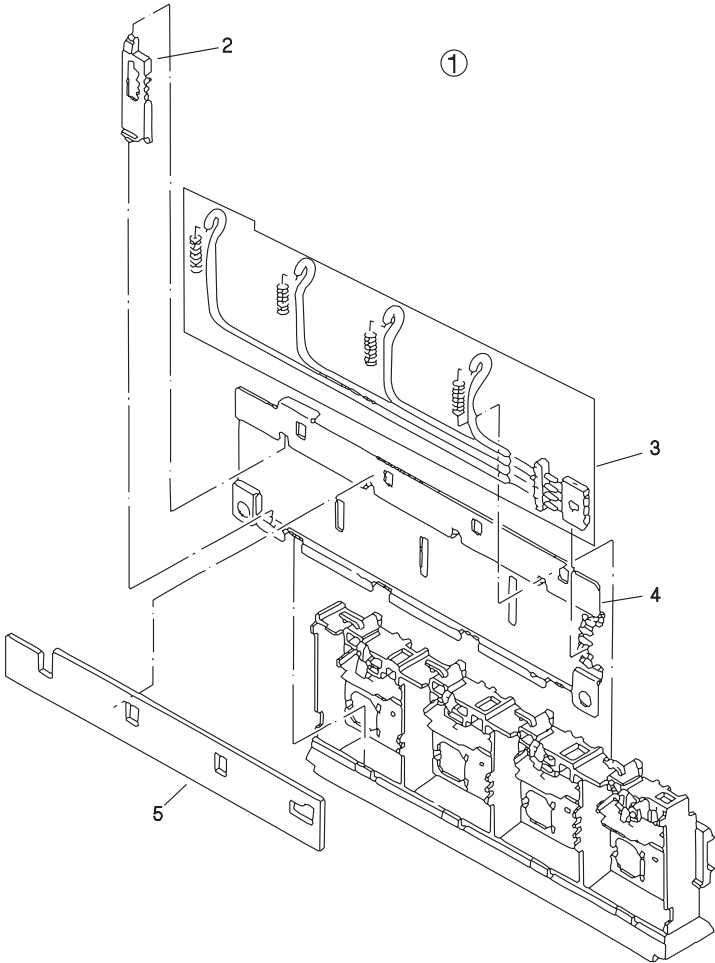
Assembly 13: Ink Supply Unit



4079-00X

Asm-Index	Part Number	Units	Description
13-1	1321775	1	Ink Cartridge Assembly, Includes Assembly 14
-2	1321776	1	● Sensor Cable Unit
-3	1321777	1	● Ink Sensor Assembly, Complete
-4	1321779	1	● Ink Supply Hose Kit, Complete

Assembly 14: Ink Return Unit

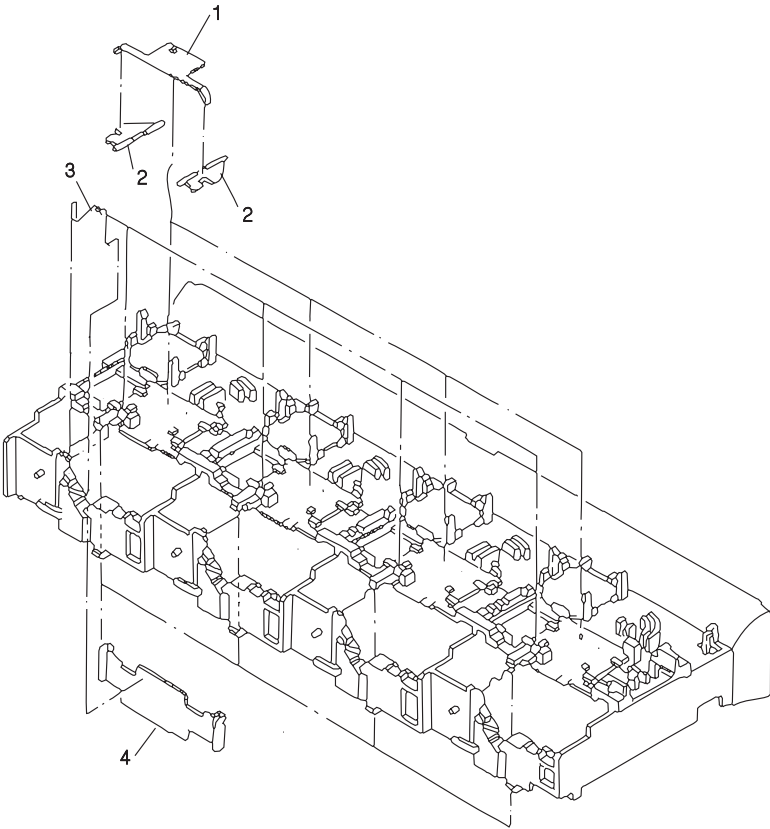


4079-00X

Asm-Index	Part Number	Units	Description
14-1	1321775	1	Ink Cartridge Assembly, Includes Assembly 13
-2	1321780	1	● Holder, Drain Tube
-3	1321781	1	● Drain Tube Assembly
-4	1321782	1	● Base, Ink Compartment (also order index 5)
-5	1321783	1	● Ink Absorber

4079-00X

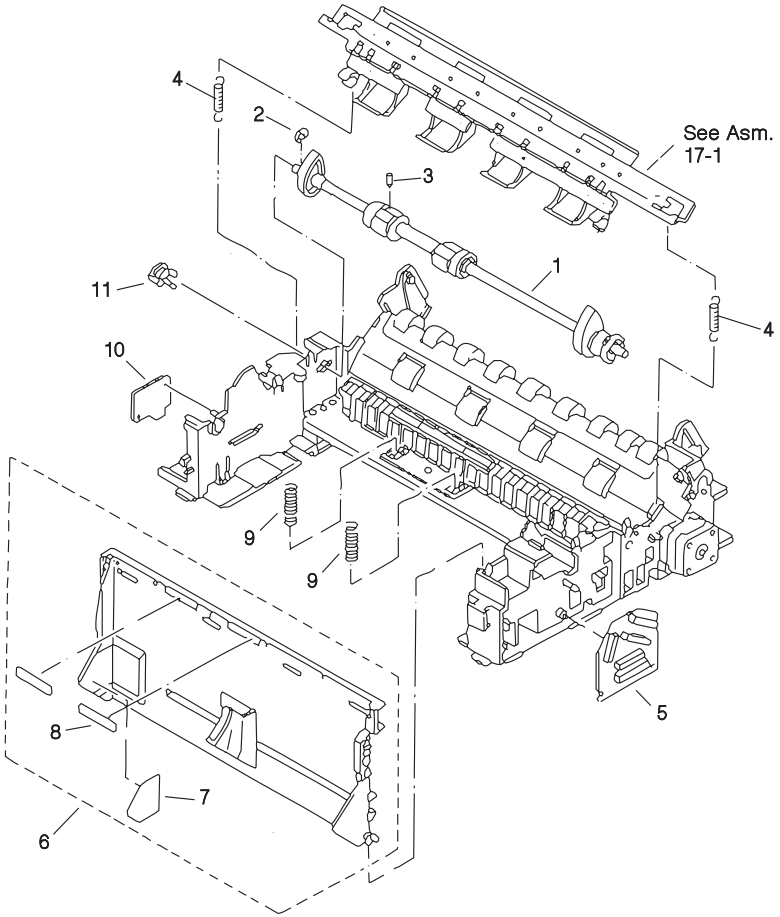
Assembly 15: Ink Cartridge Interlock



4079-00X

Asm-Index	Part Number	Units	Description
15-1	1321784	1	Spring, Leaf
-2	1321844	2	Plate, Lock
-3	1321845	1	Spring
-4	1321846	1	Needle Protector

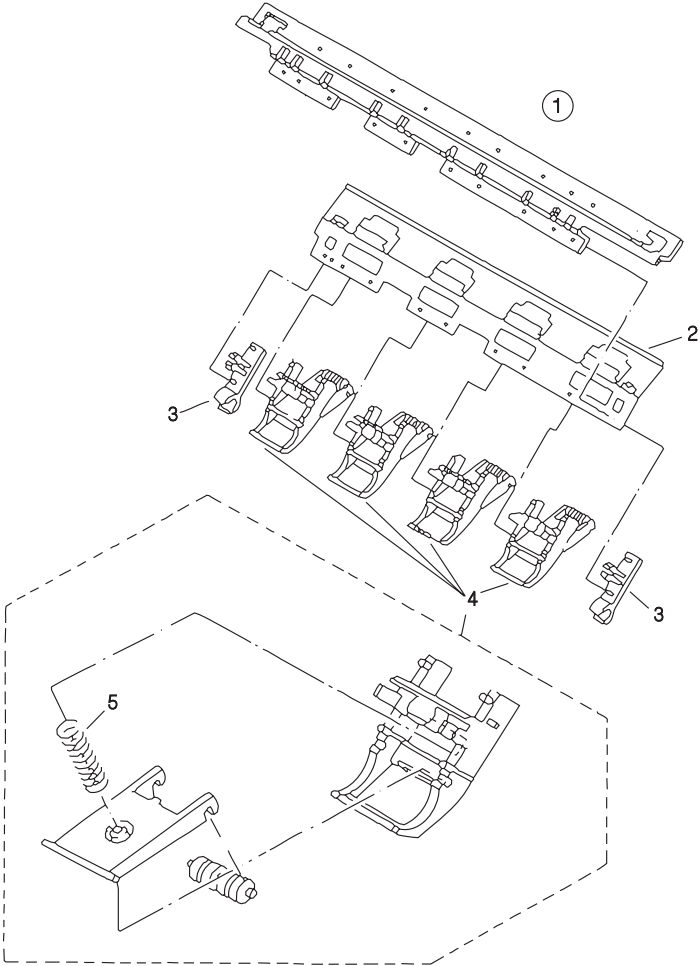
Assembly 16: Sheetfeed Entry



4079-00X

Asm-Index	Part Number	Units	Description
16-1	1321795	1	Pickup Roller Assembly
-2	1321818	1	● E-Clip (also order index 9)
-3	1321855	1	● Pin
-4	1321821	2	● Spring
-5	1321789	1	Card, Right Connector
-6	1321786	1	Plate, Paper Lifting Assembly, 4079-001
-6	1373333	1	Plate, Paper Lifting Assembly, 4079-002
-7	1321788	1	● Label, Paper Set, 4079-001
-7	1373335	1	● Label, Paper Set. 4079-002
-8	1321787	2	● Sheet, Separation
-9	1321867	2	● Spring
-10	1321790	1	Card, Left Connector
-11	1321785	1	Holder, Shaft

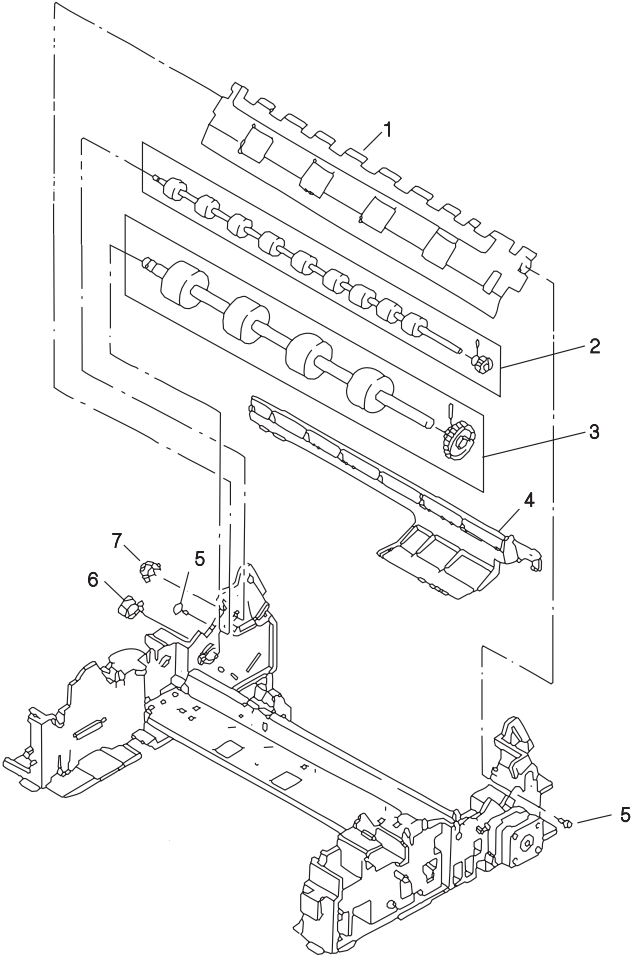
Assembly 17: Sheetfeed Pinch Roller



4079-00X

Asm-Index	Part Number	Units	Description
17-1	1321791	1	Pinch Roller Base
-2	1321794	1	● Plate, Pressure
-3	1321792	2	● Arm, Base
-4	1321793		● Pinch Roller Assembly
-5	1321868		● Spring

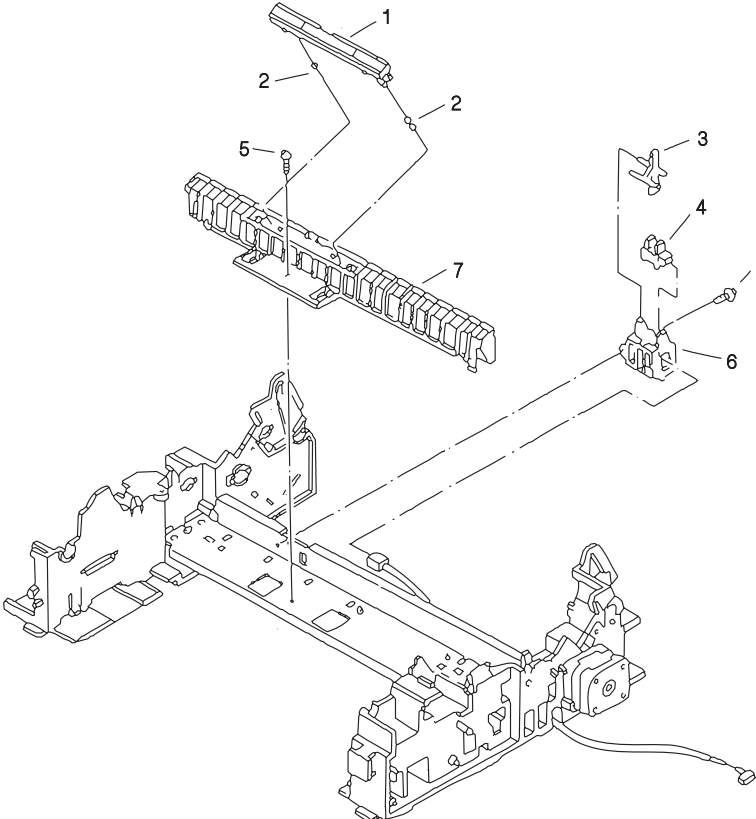
Assembly 18: Paperfeed/Ejector Roller



4079-00X

Asm-Index	Part Number	Units	Description
18-1	1321798	1	Platen
-2	1321799	1	Roller, Eject (also order ref. 7)
-3	1321802	1	Roller, Paperfeed (also order ref. 6, may need E-Clip below)
NS	1321887	1	E-Clip (used on left side of Paperfeed Roller)
-4	1321801	1	Cover, Dust, 4079-001
-4	1373367	1	Cover, Dust, 4079-002
-5	1321819	2	Screw
-6	1321803	1	Holder, Feed Shaft
-7	1321800	1	Holder, Eject Shaft

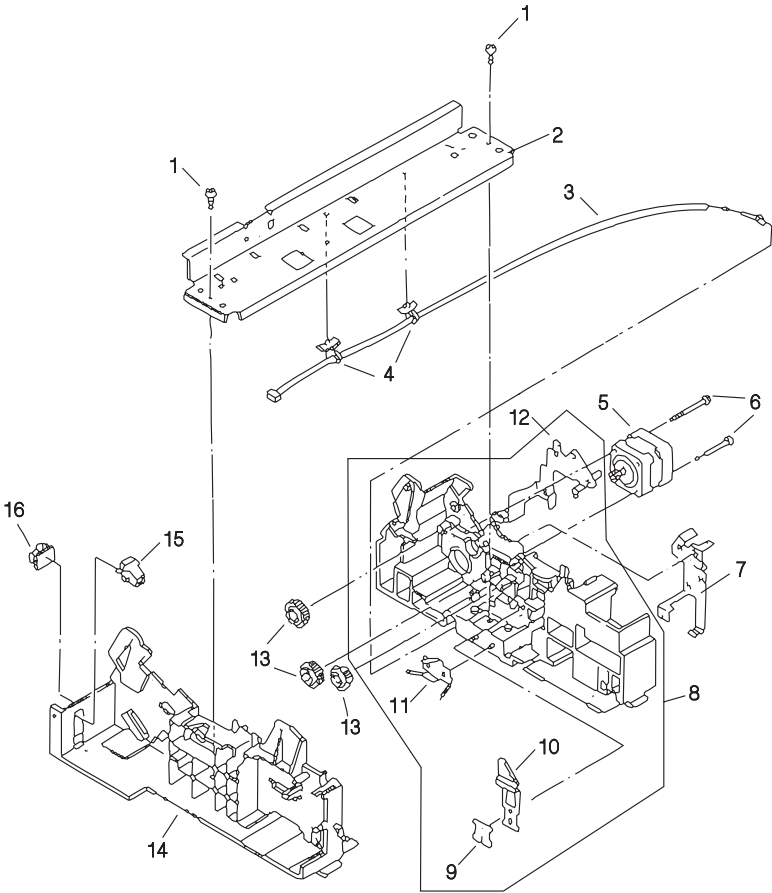
Assembly 19: Sheetfeed Separation



4079-00X

Asm-Index	Part Number	Units	Description
19-1	1321805	1	Sheetfeed Separation Assembly
-2	1321869	2	Spring
-3	1321850	1	Arm, Paper Sensor
-4	1321806	1	Paper Out Photo Sensor
-5	1321819	1	Screw
-6	1321851	2	Holder, Paper Sensor
-7	1321804	1	Base, Sheetfeed Separation

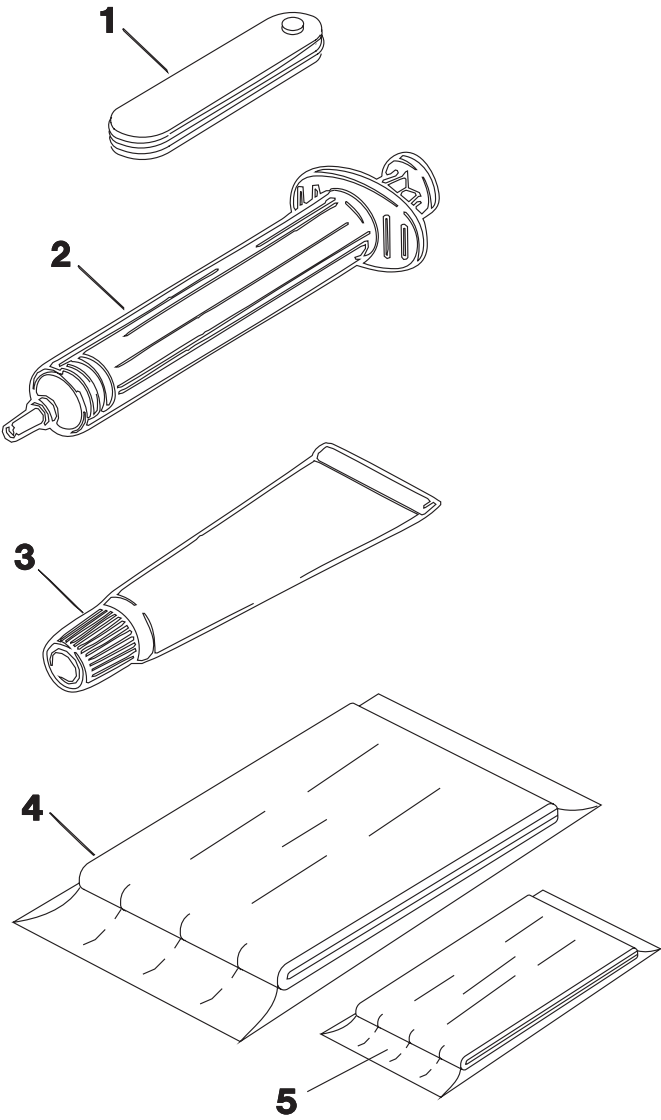
Assembly 20: Paperfeed Frame



4079-00X

Asm-Index	Part Number	Units	Description
20-1	1321862	2	Screw
-2	1321809	1	Frame, Center
-3	1321807	1	Cable, Paper Sensor
-4	1321852	2	Clamp
-5	1321808	1	Motor, Paperfeed
-6	1321856	2	Screw
-7	1321853	1	Plate Assembly, Ground
-8	1321812	1	Frame, Right, 4079-001
-8	1373338	1	Frame, Right, 4079-002
-9		1	● Plate
-10		1	● Spring, Ground Plate
-11		1	● Plate, Pressure, PP 1321820
-12		1	● Plate, Spring
-13	1321811	3	Gears, Transmission
-14	1321810	1	Frame, Left, 4079-001
-14	1373337	1	Frame, Left, 4079-002
-15		1	Stopper, Cap - Retainer PP 1321822
-16	1321854	1	Clamp, Cable (also in PP 1321822)

Assembly 21: Tools



4079-00X

Asm-Index	Part Number	Units	Description
21-1	1749245	1	Gauge, Feeler, mm
-2	1477752	1	Syringe, Ink
-3	1321875	1	Grease
-4	1280055	1	Drop Cloth
-5	2108930	1	Cleaning Cloth
NS	1319128	1	Wrap Plug
NS	452642	1	Magnifier

4079-00X

Assembly 22: Hard Disk and Options

4079-00X

Asm-Index	Part Number	Units	Description
22-1	1373404	1	Hard Disk 40 MB, includes interface card, 4079-002 only
-2	1364876	1	8 MB, DRAM SIMM
-2	1364875	1	16 MB, DRAM SIMM, 4079-002
-2	1364874	1	32 MB, DRAM SIMM, 4079-002