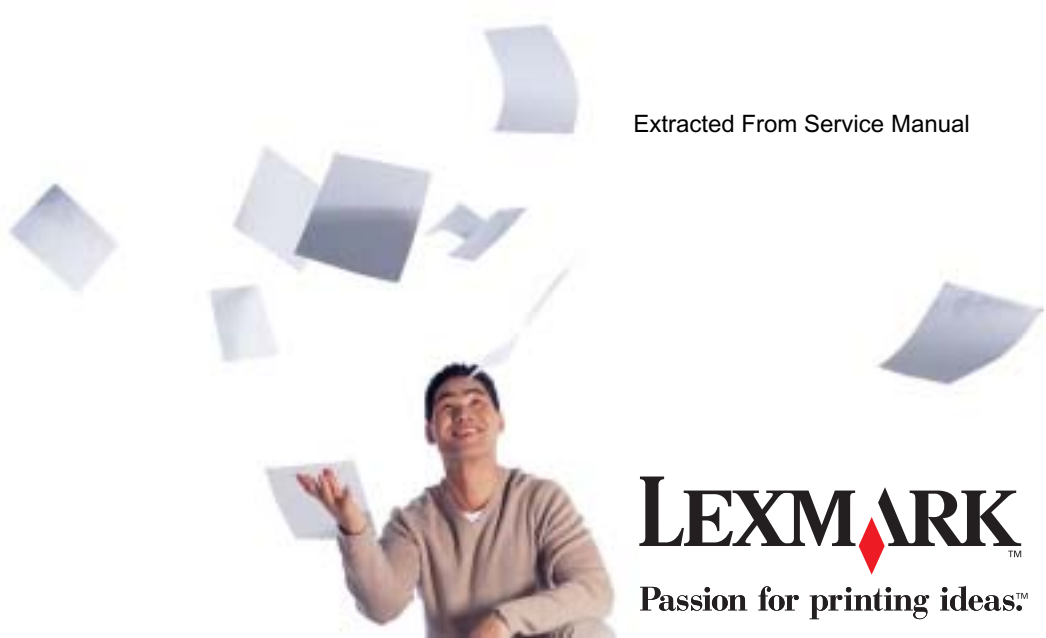


Parts Breakdown

Lexmark J110

4085-001

Extracted From Service Manual



LEXMARKTM

Passion for printing ideas.TM

4085-001

Edition: March 2001

The following paragraph does not apply to any country where such provisions are inconsistent with local law: LEXMARK INTERNATIONAL, INC. PROVIDES THIS PUBLICATION "AS IS" WITHOUT WARRANTY OF ANY KIND, EITHER EXPRESS OR IMPLIED, INCLUDING, BUT NOT LIMITED TO, THE IMPLIED WARRANTIES OF MERCHANTABILITY OR FITNESS FOR A PARTICULAR PURPOSE. Some states do not allow disclaimer of express or implied warranties in certain transactions; therefore, this statement may not apply to you.

This publication could include technical inaccuracies or typographical errors. Changes are periodically made to the information herein; these changes will be incorporated in later editions. Improvements or changes in the products or the programs described may be made at any time.

Comments may be addressed to Lexmark International, Inc., Department D22A/032-2, 740 West New Circle Road, Lexington, Kentucky 40550, U.S.A or e-mail at ServiceInfoAndTraining@Lexmark.com. Lexmark may use or distribute any of the information you supply in any way it believes appropriate without incurring any obligation to you. You can purchase additional copies of publications related to this product by calling 1-800-553-9727. In other countries, contact your point of purchase.

Lexmark, Lexmark with diamond design, MarkNet, and Optra are trademarks of Lexmark International, Inc., registered in the United States and/or other countries.

OptraImage and PerfectFinish are trademarks of Lexmark International, Inc.

Other trademarks are the property of their respective owners.

© Copyright Lexmark International, Inc. 2001.

All rights reserved.

UNITED STATES GOVERNMENT RESTRICTED RIGHTS

This software and documentation are provided with RESTRICTED RIGHTS. Use, duplication or disclosure by the Government is subject to restrictions as set forth in subparagraph (c)(1)(ii) of the Rights in Technical Data and Computer Software clause at DFARS 252.227-7013 and in applicable FAR provisions: Lexmark International, Inc., Lexington, KY 40550.

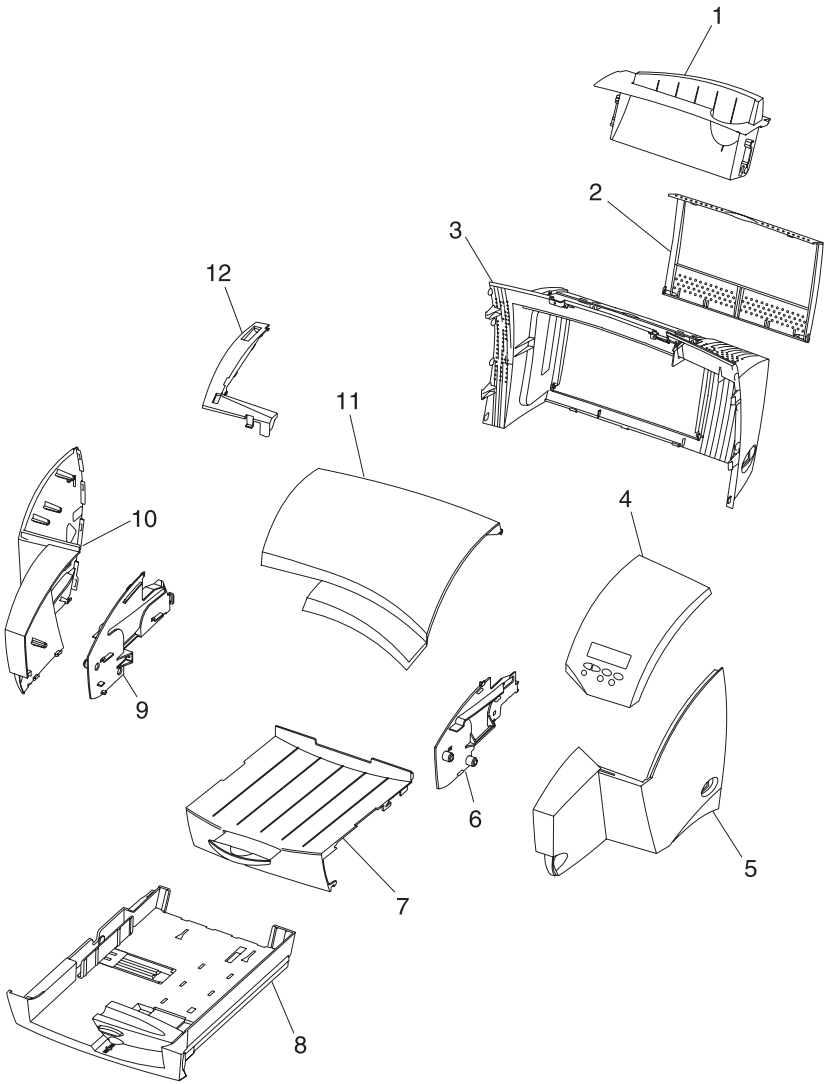
U.S.A. P/N: 12G3639

7. Parts Catalog

How To Use The Parts Catalog

- NS: (Not Shown) in the Asm-Index column indicates that the part is procurable but is not shown in the illustration.
- PP: in the Description column indicates the part is available in the listed parts packet.

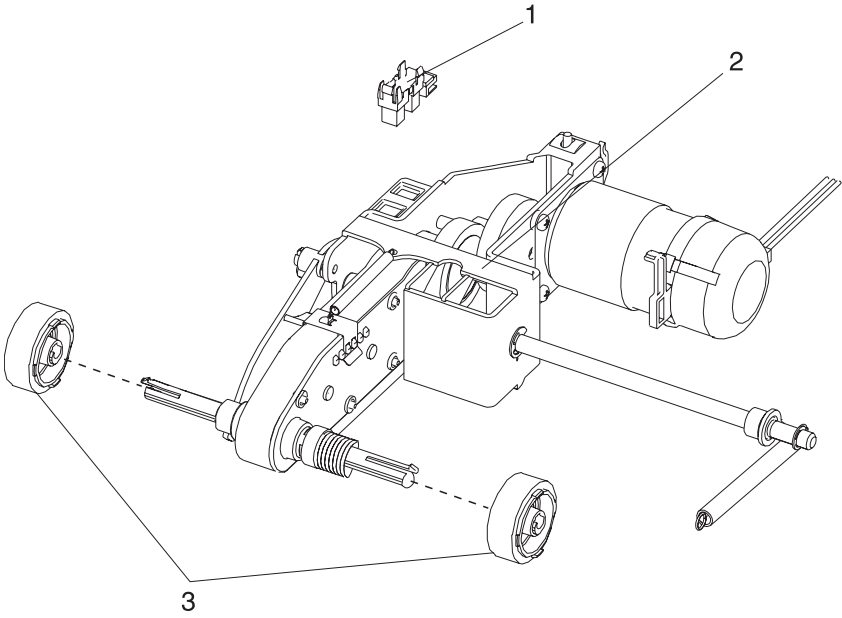
Assembly 1: Covers



Assembly 1: Covers

Asm-Index	Part Number	Units	Description
1-1	12G6073	1	Cover Assembly, Manual Feed
2	12G6070	1	Door, Rear
3	12G6069	1	Cover, Rear
4	12G6065	1	Cover, Operator Panel
5	12G6061	1	Cover, Right
6	12G6063	1	Cover, Right Tray
7	12G6072	1	Cover Assembly, Exit Tray
8	12G6075	1	Paper Tray Assembly
9	12G6062	1	Cover, Left Tray
10	12G6060	1	Cover, Left
11	12G6071	1	Top Door Assembly
12	12G6064	1	Cover, Left Frame
NS	12G6076		Screws, (PP)

Assembly 2: Paper Feed

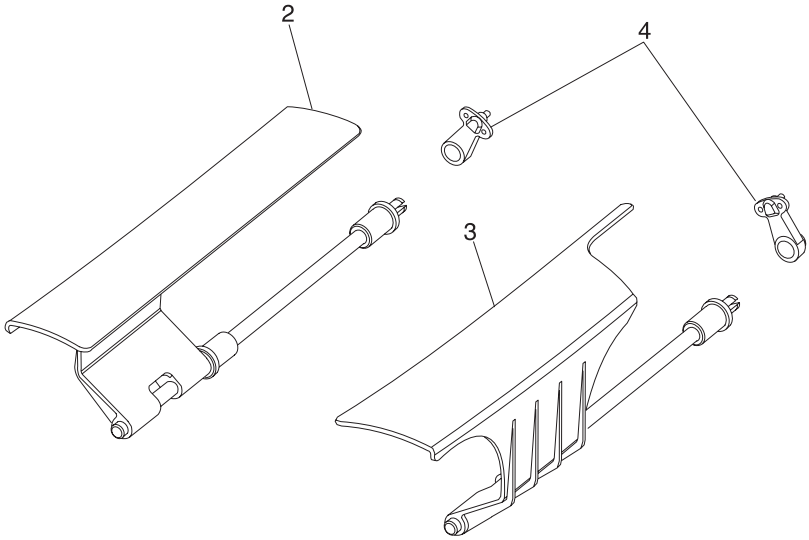


4085-001

Assembly 2: Paper Feed

Asm-Index	Part Number	Units	Description
2-1	12G6024	1	Paper Out Sensor
2	12G6000	1	Paper Feed Pick Assembly with Motor
3	12G6092	2	Pick Tires

Assembly 2 (cont.): Paper Feed

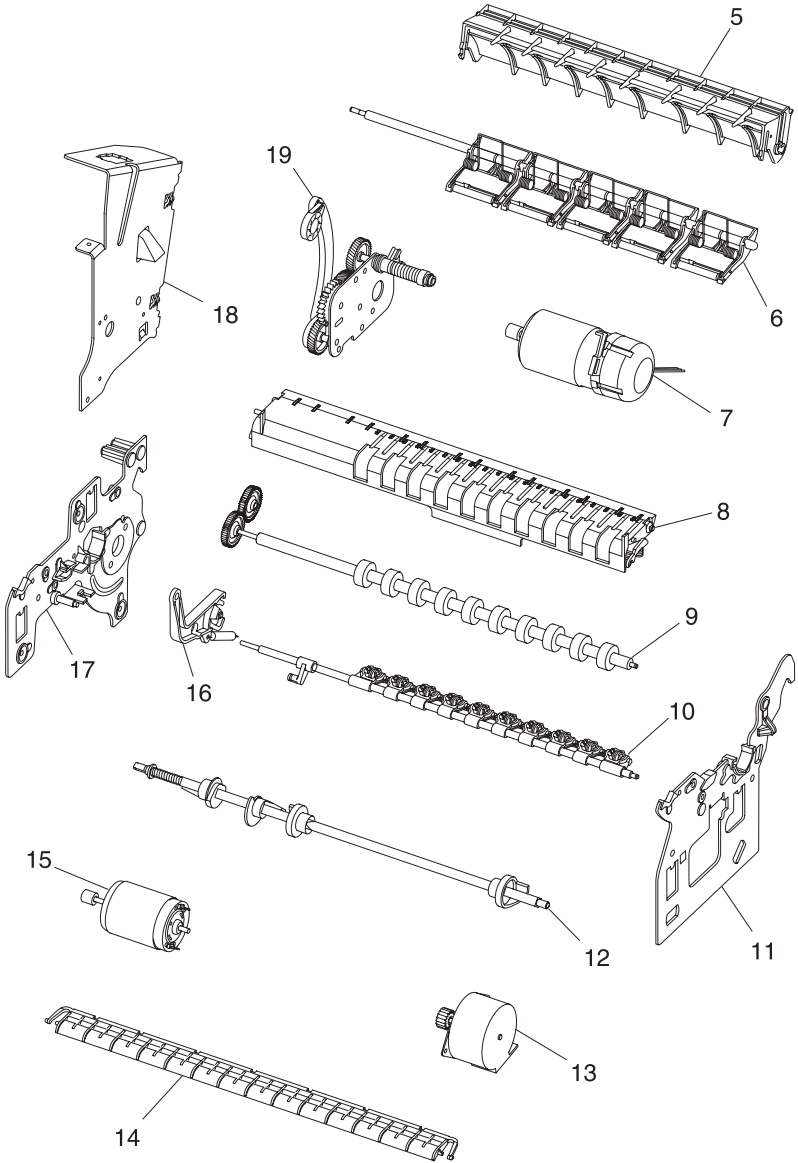


4085-001

Assembly 2 (cont.): Paper Feed

Asm-Index	Part Number	Units	Description
2-2	12G6003	1	Left Bat Wing with Bushings
3	12G6004	1	Right Bat Wing with Bushings
4	12G6005	1	Bat Wing Follower Assembly

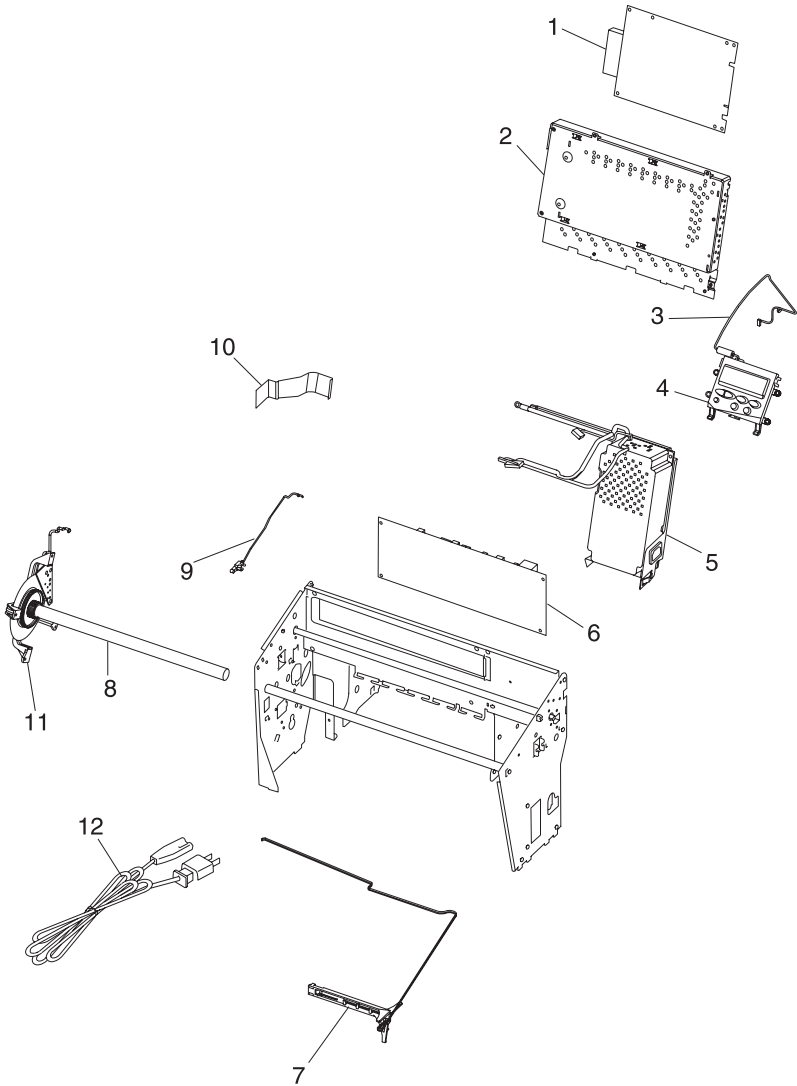
Assembly 2 (cont.): Paper Feed



Assembly 2 (cont.): Paper Feed

Asm-Index	Part Number	Units	Description
2-5	12G6010	1	Deflector Assembly, Second Path
6	12G6031	1	Paper Exit Backup Roll Assembly
7	12G6008	1	Motor Assembly, PerfectFinish
8	12G6028	1	Platen with Spring and Levers Assembly
9	12G6027	1	Shaft, Exit Assembly with Gears
10	12G6029	1	Star Wheel Shaft Assembly
11	12G6006	1	Plate, Right Pivot
12	12G6026	1	Cam Shaft Assembly with Spring
13	12G6013	1	Motor, Camshaft
14	12G6074	1	Static Brush Bracket Assembly
15	12G6025	1	Motor, Index Assembly
16	12G6032	1	Starwheel Follower with Spring Assembly
17	12G6014	1	Plate, Left Pivot
18	12G6007	1	Left Plate Assembly, Automatic Sheet Feed
19	12G6009	1	PerfectFinish Drive Plate Assembly
NS	12G6094	1	Roller, Cleaning
NS	12G6095	1	Applicator, Cartridge Assembly
NS	12G6076		Screws, (PP)

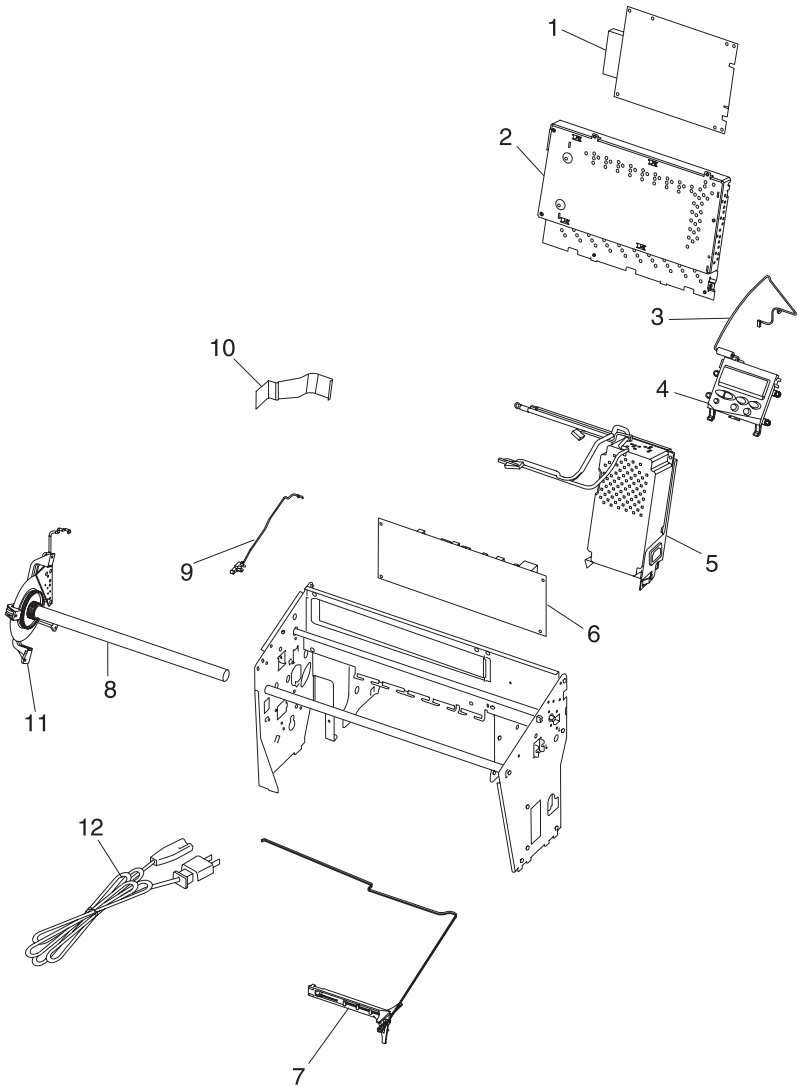
Assembly 3: Electronics



Assembly 3: Electronics

Asm-Index	Part Number	Units	Description
3-1	12G6059	1	RIP Card
2	12G6058	1	Shield, RIP Enclosure
3	12G6067	1	Cable, Operator Panel
4	12G6066	1	Operator Panel Assembly
5	12G6057	1	Power Supply
6	12G6048	1	Engine Board
7	12G6055	1	Sensor, Ink Level
8	12G6044	1	Index Card/Feedroll Encoder Disc Assembly
9	12G6018	1	Top Door Switch with Retainer
10	12G6053	1	Cable, Engine to RIP
11	12G6093	1	Bracket, Thrust
12	1339535	1	Power Cord, Canada, United States, Bolivia, Caribbean, Columbia, Costa Rica, Dominican Republic, Ecuador, El Salvador, Guatemala, Honduras, Mexico, Nicaragua, Panama, Peru, Puerto Rico, Venezuela, Virgin Islands, Papua, New Guinea, Phillipines, South Korea, Taiwan, Thailand
12	1339542	1	Power Cord, Italy
12	1342530	1	Power Cord, Brazil, Paraguay, Uruguay
12	1342534	1	Power Cord, Chile
12	1339537	1	Power Cord, Abu Dhabi, Ajman, Bahrain, Dubai, Fujeirah, Iraq, Kuwait, Lybia, Oman, Pakistan, Qatar, Ras-Al-Khaimah, Sharjah, U.A.E., UK/Ireland/Iceland, Umm-Al-Qwain, Yemen, Hong Kong, Malasia, Singapore
12	1339536	1	Power Cord, Australia, New Zealand
12	1339539	1	Power Cord, Israel
12	1339540	1	Power Cord, Switzerland (Fr), Switzerland (German) Switzerland (It)
12	1339541	1	Power Cord, Botswana, Lesotho, Namibia, South Africa, Bangladesh, Sri Lanka

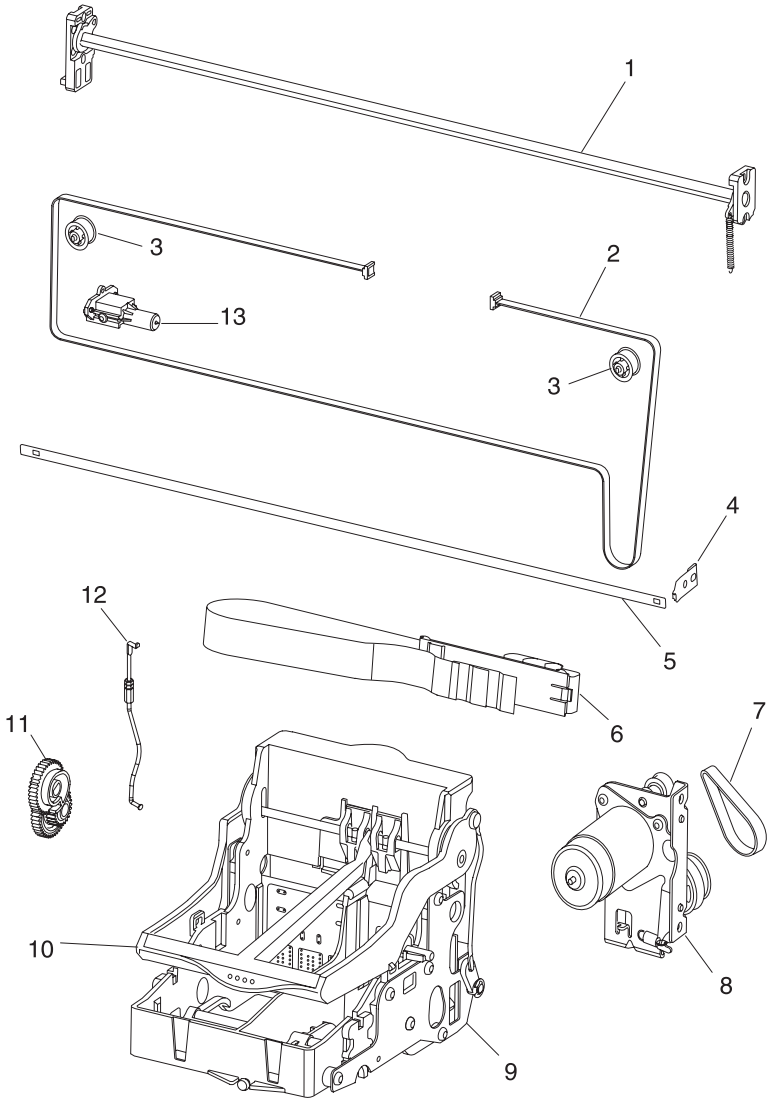
Assembly 3 (cont.): Electronics



Assembly 3 (cont.): Electronics

Asm-Index	Part Number	Units	Description
12	1339545	1	Power Cord, Argentina
12	1339538	1	Power Cord, Albania, Algeria, Armenia, Austria, Azerbaijan, Belarus, Belgium, Benin, Bosnia, Bulgaria, Burkina-Faso, Cameroon, Central African Republic, Chad, Chechenya, Comoros, Congo, Croatia, Czek Republic, Djibouti, Egypt, Equatorial Guinea, Estonia, Euro English, Finland, France, French Guyana, Gabon, Gambia, Georgia, Germany, Greece, Guadeloupe, Guinea, Hungary, Iran, Ivory Coast, Jordan, Kazakhstan, Kirghizistan, Kyrgyz Republic, La Reunion, Latvia, Lebanon, Lettonia, Lithuania, Macedonia, Madagascar, Mali, Martinique, Mauritania, Mauritius, Mayottes, Moldavia, Moldova, Morocco, Netherlands, New Caledonia, Niger, Norway, Poland, Portugal, Romania, Russia, Saint Pierre et Miqueion, Senegal, Seychelles, Slovakia, Slovenia, Spain/Catalan, Sweden, Syria, Tahiti, Tajikistan, Togo, Tunisia, Turkey, Turkmenistan, Ukraine, Uzbekistan, Vanuatu, Wallis & Futuna, Yugoslavia (Serbia & Montenegro)
12	1342514	1	Power Cord, Saudia Arabia, Indonesia, Japan
12	43H9547	1	Power Cord, Peoples Republic China
NS	12G6012	1	Cables, Camshaft Motor and TDC Sensor
NS	12G6017	1	PerfectFinish Sensor
NS	12G6045	1	Power Switch with Cable
NS	12G6046	1	Input Sensor
NS	12G6047	1	PerfectFinish Sensor Cable
NS	12G6050	1	Cable, Auto Connect - Tray 2
NS	12G6051	1	Cable, Rear Feeder
NS	12G6052	1	Cable, Index Sensor
NS	12G6054	1	Cable, Fluid Level Sensor
NS	12G6068	1	Cover, Engine Board Assembly
NS	12G6076	1	Screws, (PP)

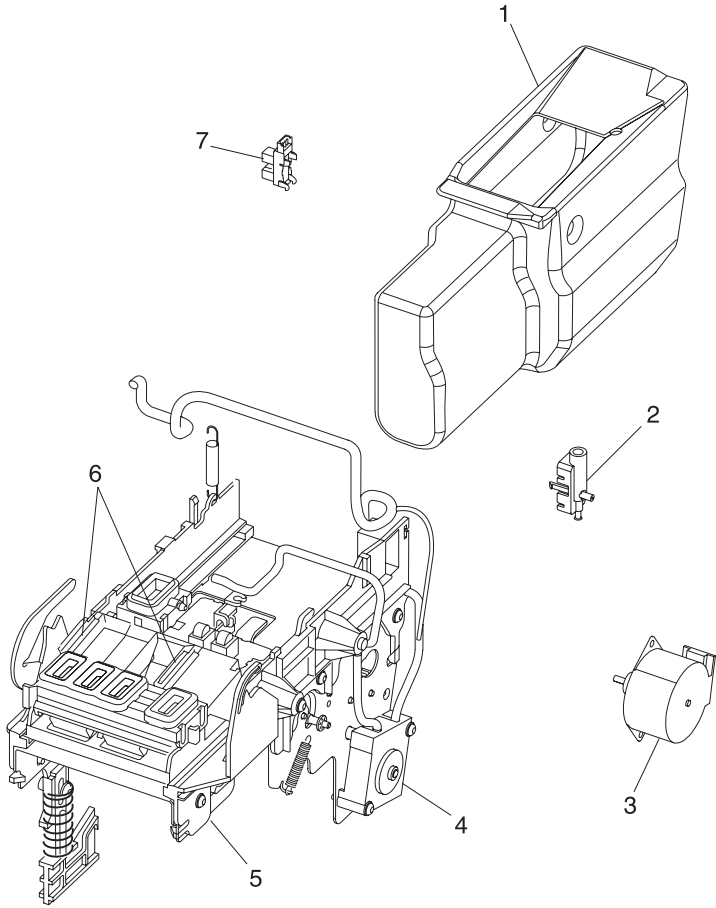
Assembly 4: Carrier Transport



Assembly 4: Carrier Transport

Asm-Index	Part Number	Units	Description
4-1	12G6033	1	Shaft, Upper Carrier with Brackets
2	12G6037	1	Belt, Carrier Drive with Keepers
3	12G6038	2	Pulley Assembly with Shaft-Top Idler
4	12G6040	1	Clip, Encoder Strip
5	12G6039	1	Encoder, Carrier Drive
6	12G6035	1	Carrier Cables with Retainer and Clamps
7	12G6016	1	Belt, Carrier Drive
8	12G6015	1	Motor, Carrier Drive Assembly with Belt
9	12G6034	1	Carrier Assembly with Cables and Clamps
10	12G6036	1	Printhead Latch, Carrier
11	12G6042	1	Gears, Compound/Carrier Lift
12	12G6041	1	Carrier Lift Assembly
13	12G6030	1	Tensioner, Carrier Drive Belt
NS	12G6076		Screws, (PP)
NS	99A0394	1	Grease Packet, Nyogel 744
NS	99A0462	1	Grease Packet, IBM 23

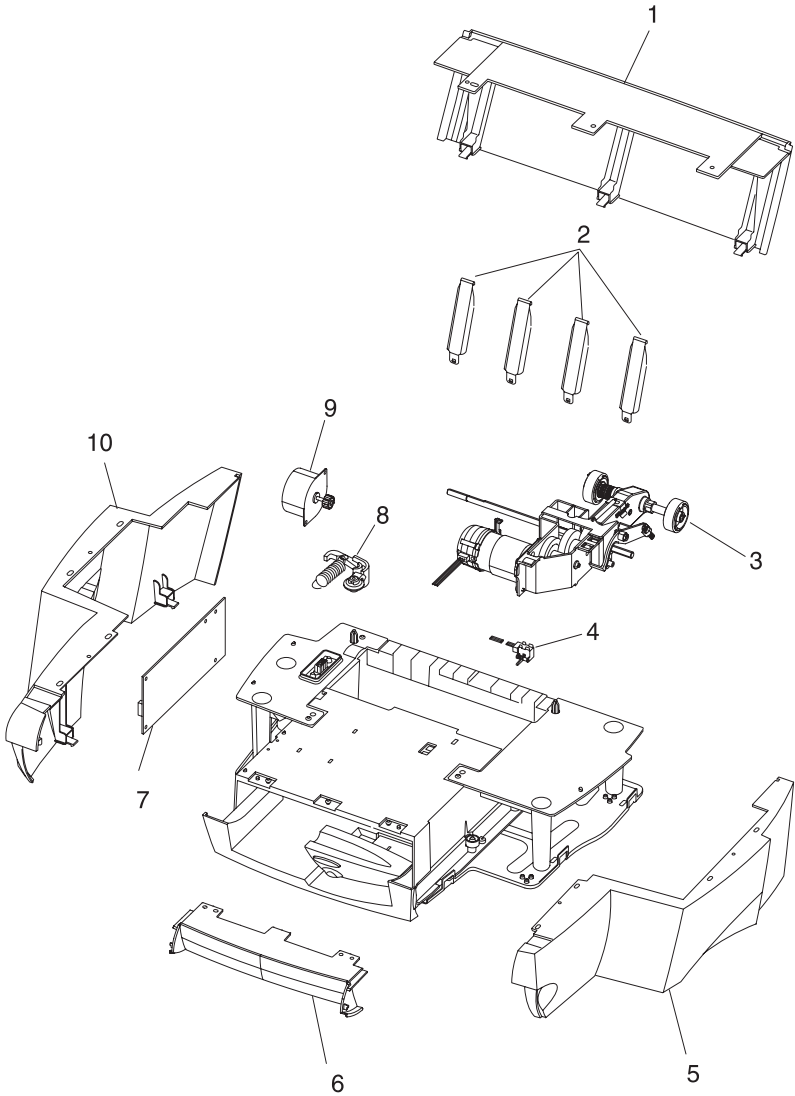
Assembly 5: Maintenance Station



Assembly 5: Maintenance Station

Asm-Index	Part Number	Units	Description
5-1	12G6056	1	Waste Ink Bottle with Belt Shield
2	12G6022	1	Maintenance Regulator Assembly
3	12G6019	1	Maintenance Motor Assembly with Gear
4	12G6021	1	Peristaltic Pump Assembly
5	12G6020	1	Maintenance Station Assembly
6	12G6091	2	Wipers, Maintenance
7	12G6024	1	Maintenance Homing Sensor
NS	12G6023	1	Maintenance Cable
NS	12G6076		Screws, (PP)

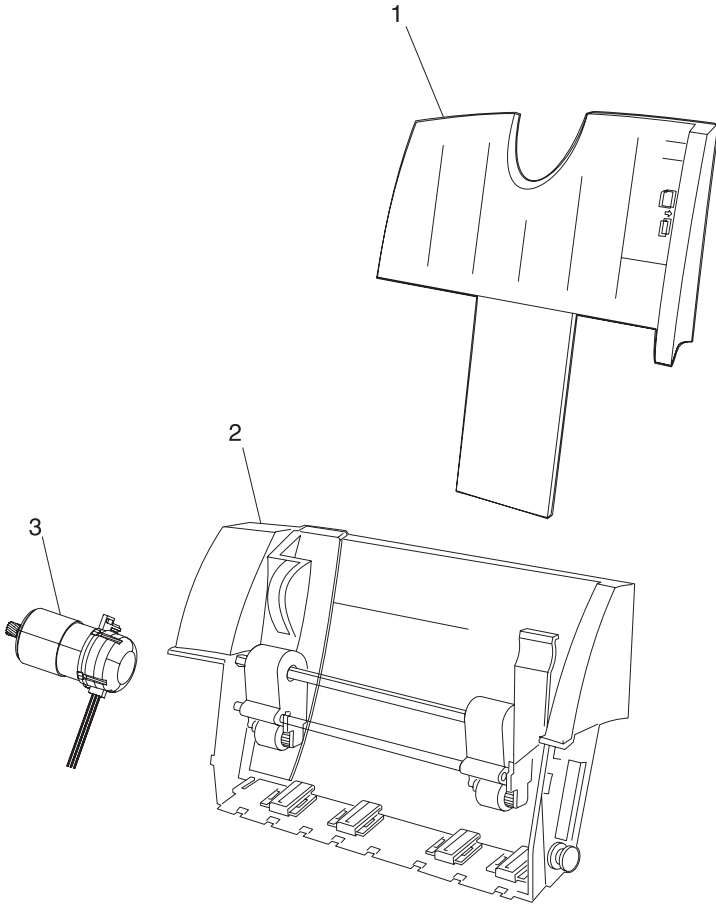
Assembly 6: Optional Tray 2



Assembly 6: Optional Tray 2

Asm-Index	Part Number	Units	Description
6-1	12G6088	1	Cover, Rear (OP Tray 2)
2	12G6002	4	Wear Strips
3	12G6049	1	Paper Feed Pick Assembly with Motor - 250 Option Final Assembly
4	12G6046	1	Sensor, Tray 2 Passthru
5	12G6086	1	Cover, Right Side (OP Tray 2)
6	12G6085	1	Cover, Front (OP Tray 2)
7	12G6089	1	Card, Secondary Tray
8	12G6001	1	Detent - Paper Tray 2 with Spring
9	12G6083	1	Motor, Redrive with Gear Assembly
10	12G6087	1	Cover, Left Side (OP Tray 2)
NS	12G6078	1	Cable, Tray 2 Power and Paper Port
NS	12G6080	1	Cable, Tray 2 Stepper Motor

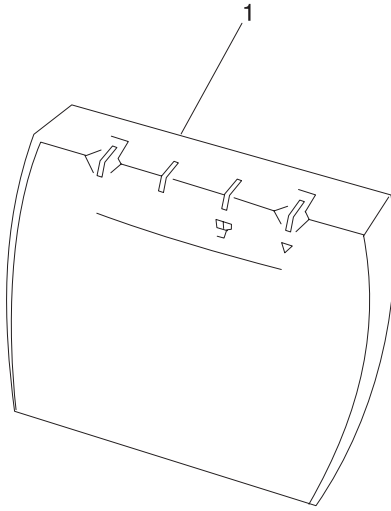
Assembly 7: Optional Multi-Purpose Feeder



Assembly 7: Optional Multi-Purpose Feeder

Asm-Index	Part Number	Units	Description
7-1	12G6077	1	Guide, MPF Rear Paper
2	12G6011	1	Feeder, Auxillary Sheet
3	12G6084	1	MFP Motor with wire

Assembly 8: Optional MarkNet External Print Server



4085-001

Assembly 8: Optional MarkNet External Print Server

Asm-Index	Part Number	Units	Description
8-1	12G6090	1	MarkNet™ External Print Server