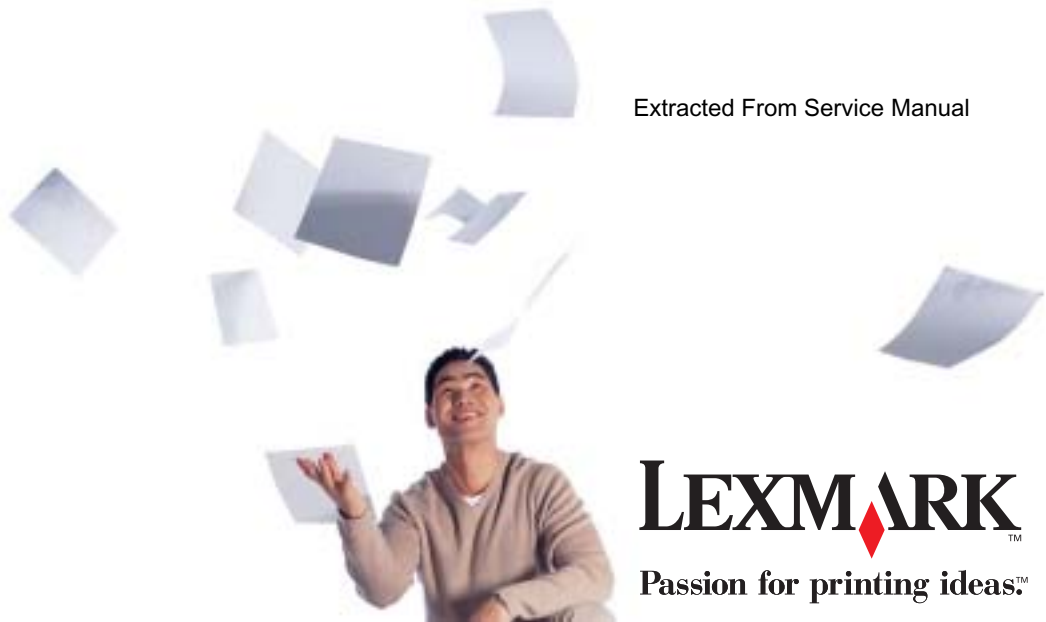


# Parts Breakdown

## Lexmark Optra™ Color 40

**4092-010**

Extracted From Service Manual



**LEXMARK**<sup>™</sup>

Passion for printing ideas.<sup>™</sup>

**First Edition (May, 1998)**

**The following paragraph does not apply to any country where such provisions are inconsistent with local law:** LEXMARK INTERNATIONAL, INC. PROVIDES THIS PUBLICATION "AS IS" WITHOUT WARRANTY OF ANY KIND, EITHER EXPRESS OR IMPLIED, INCLUDING, BUT NOT LIMITED TO, THE IMPLIED WARRANTIES OF MERCHANTABILITY OR FITNESS FOR A PARTICULAR PURPOSE. Some states do not allow disclaimer of express or implied warranties in certain transactions, therefore, this statement may not apply to you.

This publication could include technical inaccuracies or typographical errors. Changes are periodically made to the information herein; these changes will be incorporated in later editions. Improvements or changes in the products or the programs described may be made at any time.

A form for reader's comments is provided at the back of this publication. If the form has been removed, comments may be addressed to Lexmark International, Inc., Department D22/035-3, 740 New Circle Road N.W., Lexington, Kentucky 40550, U.S.A. Lexmark may use or distribute any of the information you supply in any way it believes appropriate without incurring any obligation to you. You can purchase additional copies of publications related to this product by calling 1-800-553-9727. In other countries, contact your point of purchase.

Lexmark and Optra are trademarks of Lexmark International, Inc., registered in the United States and/or other countries.

Other trademarks are the property of their respective owners.

© **Copyright Lexmark International, Inc. 1998.**  
**All rights reserved.**

**UNITED STATES GOVERNMENT RESTRICTED RIGHTS**

This software and documentation are provided with RESTRICTED RIGHTS. Use, duplication or disclosure by the Government is subject to restrictions as set forth in subparagraph (c)(1)(ii) of the Rights in Technical Data and Computer Software clause at DFARS 252.227-7013 and in applicable FAR provisions: Lexmark International, Inc., Lexington, KY 40550.

---

## 7. Parts Catalog

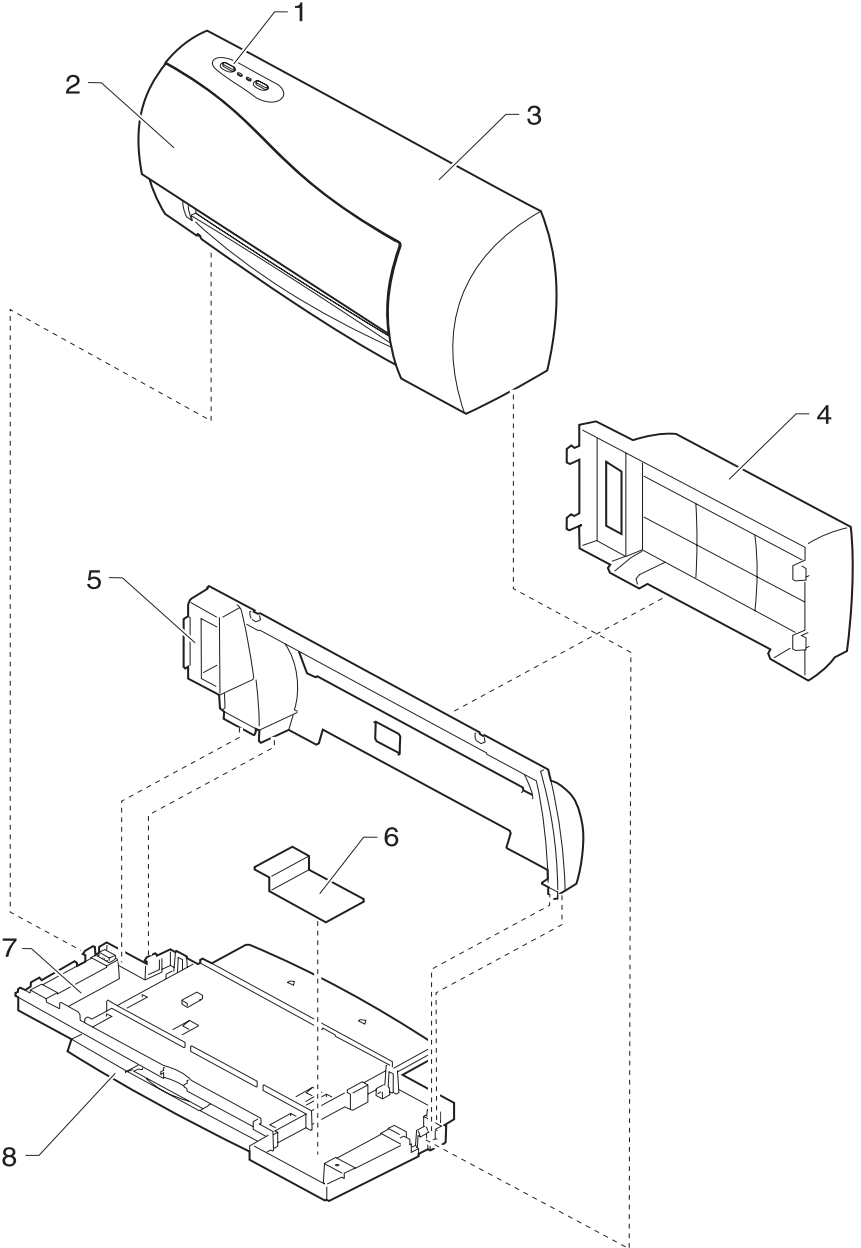
---

### How To Use This Parts Catalog

---

- **SIMILAR ASSEMBLIES:** If two assemblies contain a majority of identical parts, they are shown on the same list. Common parts are shown by one index number. Parts peculiar to one or the other of the assemblies are listed separately and identified by description.
- **NS:** (Not Shown) in the Asm-Index column indicates that the part is procurable but is not pictured in the illustration.
- **PP:** in the Description column indicates the part is available in the listed parts packet.

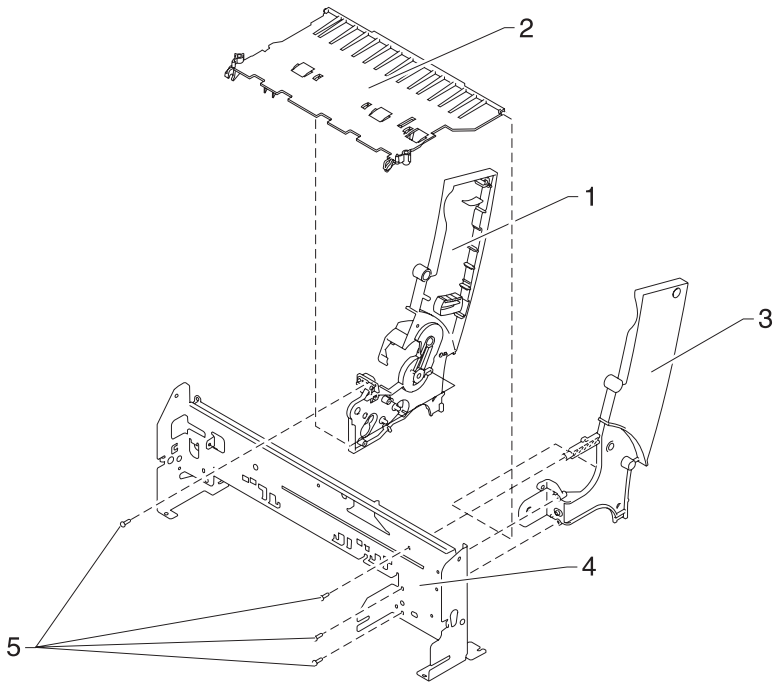
# Assembly 1: Covers



**4092-010**

<b>Asm-Index</b>	<b>Part Number</b>	<b>Units</b>	<b>Description</b>
1 -1	13B0203	1	Lens (LED) and Buttons
2	17B0154	1	Front Access Door with Latch
3	12G0001	1	Front Cover Asm, Access Cover with Door Latch, Buttons & LED Lens
4	12G0003	1	Board Cover with EMC Shield
5	12G0002	1	Rear Cover
6	17B0158	1	Gutter Pad
7	17B0150	1	Base Asm includes Feet, Gutter Pad
8	13A1234	1	Exit Tray and Extender
NS	13A3554	1	Printhead Cartridge Storage Unit
NS	7350016	1	Plain Package B/M includes Cushion Set

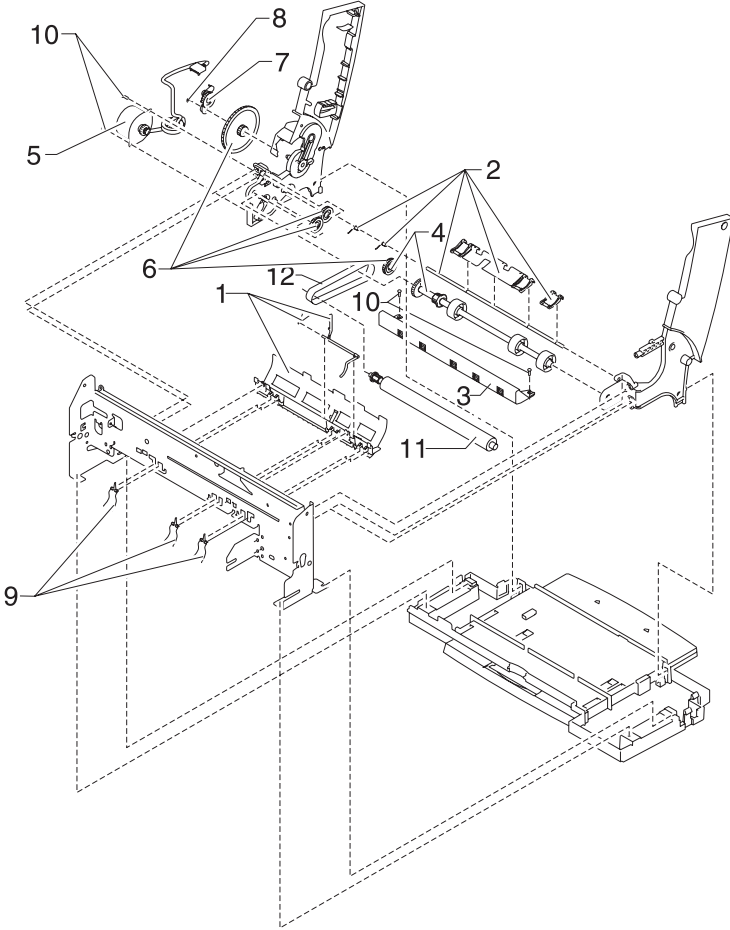
## Assembly 2: Frames



**4092-010**

<b>Asm-Index</b>	<b>Part Number</b>	<b>Units</b>	<b>Description</b>
2 -1	13B0411	1	Left Side Frame
2	13B0272	1	Mid Frame
3	13A1236	1	Right Side Frame
4	13B0204	1	Carrier Frame

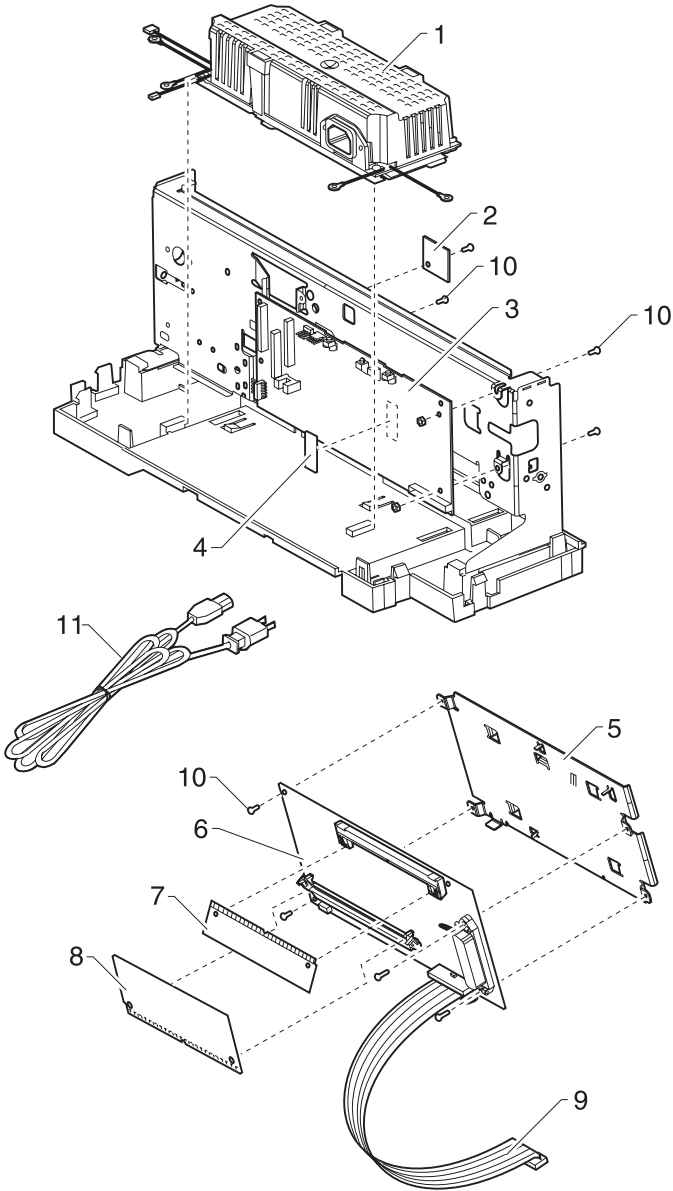
## Assembly 3: Paper Feed



**4092-010**

<b>Asm-Index</b>	<b>Part Number</b>	<b>Units</b>	<b>Description</b>
3 -1	13B0205	1	Paper Guide Asm includes EOF Flag & Spring
2	13A1280	1	Small Feed Roll Shaft Roll B/M and Paper Flap
3	13B0212	1	Star Roller Asm
4	13B0275	1	Large Feed Roll Asm (includes Small Compound Idler Gear)
5	12G0020	1	Paper Feed Motor, Motor Gear, Toroid and Heat Sink
5A	13B0239	1	Warning Label, Motor (PP)
6	13B0271	1	Gears B/M
7	69G4398	1	Feed Arm Asm
8	13B0239	1	C-Clip (PP)
9	13B0239	3	Spring, Small Feed Roll (PP)
10	13B0239	2	Screw, Paper Feed Motor Mounting (PP)
11	13B0223	1	Exit Roller
12	70G0579	1	Exit Drive Belt
NS	13B0239	1	Gear Retainer (PP)

# Assembly 4: Electronics



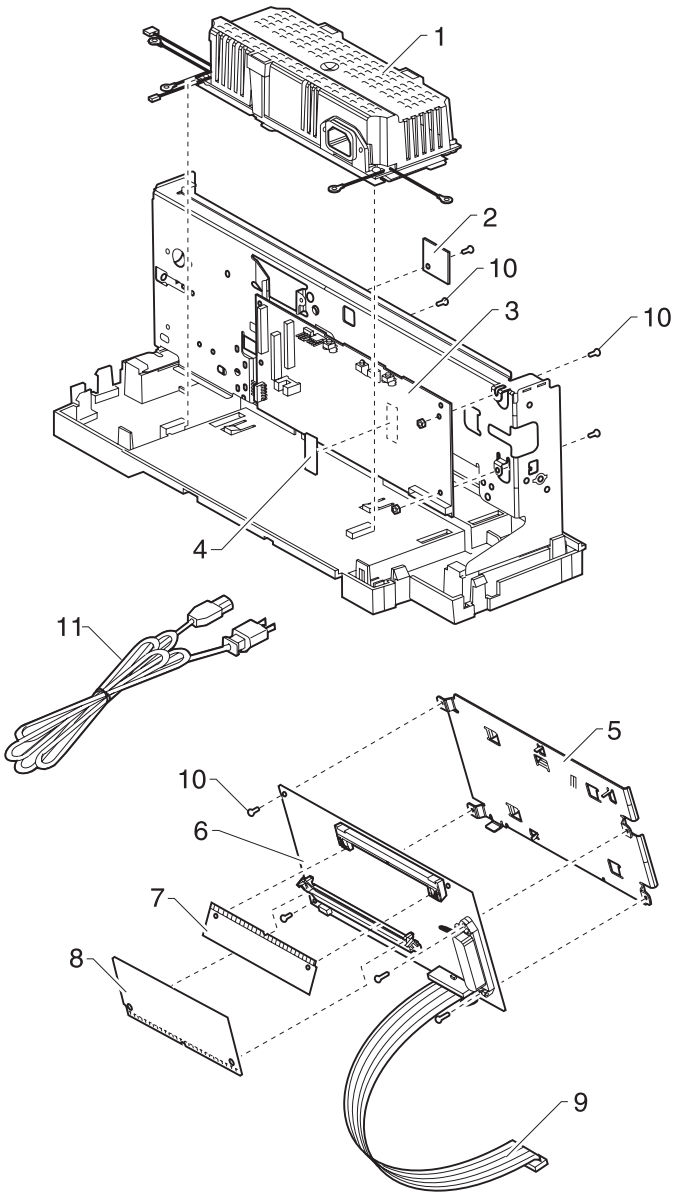
**4092-010**

<b>Asm-Index</b>	<b>Part Number</b>	<b>Units</b>	<b>Description</b>
4 -1	12G0006	1	Power Supply (Universal) with Cover
2	13B0045	1	Thermal Sensor Board with Cable
3	12G0005	1	Engine Board - Use on machines with a torroid on the flex cable (Index 9).
3	12G0140	1	Engine Board
4	12G0010	1	Code Module (Engine Board)
5	12G0003	1	Board cover with EMC Shield
6	11J0671	1	Controller Board w/ Code*
7	99A0517	1	4MB DRAM SIMM
	99A0518		8MB DRAM SIMM
	99A0519		16MB DRAM SIMM
	99A0520		32MB DRAM SIMM
	99A0724		64MB DRAM SIMM
8	11J0671	1	Code SIMM not available, order Controller Board w/Code*
9	12G0007	1	Engine Board to Controller Board Flex Cable w/Torroid
10	13B0239	1	Board Mounting Screws (PP)

**\*Controller Board Service Note**

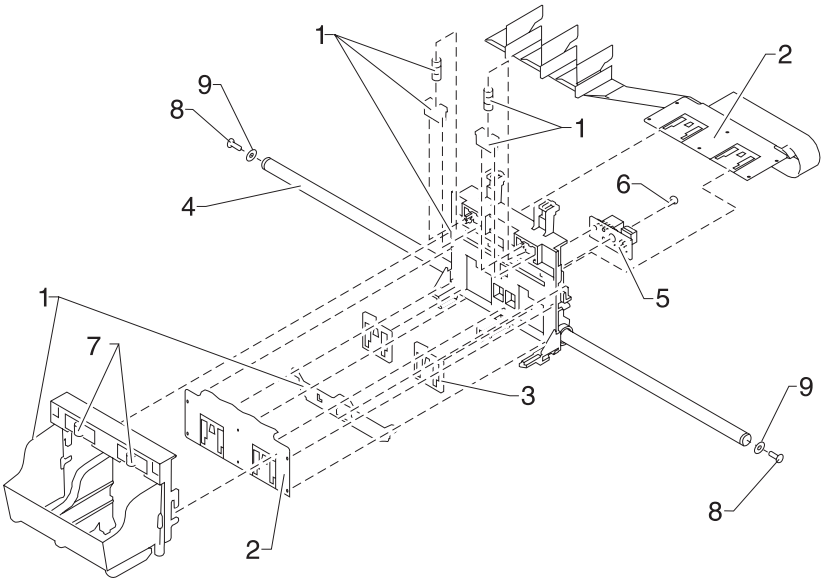
Earlier level printers may have a ROM Code SIMM plugged into the Controller Board. Later level printers will have the Code soldered on the Controller Board in position U11. The Controller Board FRU will contain the later level board with the soldered on code. The ROM Code SIMM is not available as a FRU.

## Assembly 4: Electronics (continued)



Asm- Index	Part Number	Units	Description
4-1	1339526 1342514 1339520 1339520 1342514 1342514 1342534 1339526 1342534 1342514 1342514 1339525 1342514 1339519 1342514 1339520 1339520 1339520 1342514 1342514 1339521 1339524 70G0496 1342514 1339520 1342514 1339520 1342514 1342536 1342514 1339517 1339523 1339520 1339520 1339522 1339519 1342536 1342514	1	Power Cord, U.S. Power Cord, Argentina Power Cord, Austria Power Cord, Belgium Power Cord, Bolivia Power Cord, Brazil (LV) Power Cord, Brazil (HV) Power Cord, Canada Power Cord, Chile Power Cord, Columbia Power Cord, Costa Rica Power Cord, Denmark Power Cord, Ecuador Power Cord, Egypt Power Cord, El Salvador Power Cord, Finland Power Cord, France Power Cord, Germany Power Cord, Guatemala Power Cord, Honduras Power Cord, Israel Power Cord, Italy Power Cord, Japan Power Cord, Mexico Power Cord, Netherlands Power Cord, Nicaragua Power Cord, Norway Power Cord, Panama Power Cord, Paraguay Power Cord, Peru Power Cord, Saudi Arabia Power Cord, South Africa Power Cord, Spain Power Cord, Sweden Power Cord, Switzerland Power Cord, United Kingdom Power Cord, Uruguay Power Cord, Venezuela
NS	13B0239	1	Jumper, 2-Pin (PP)

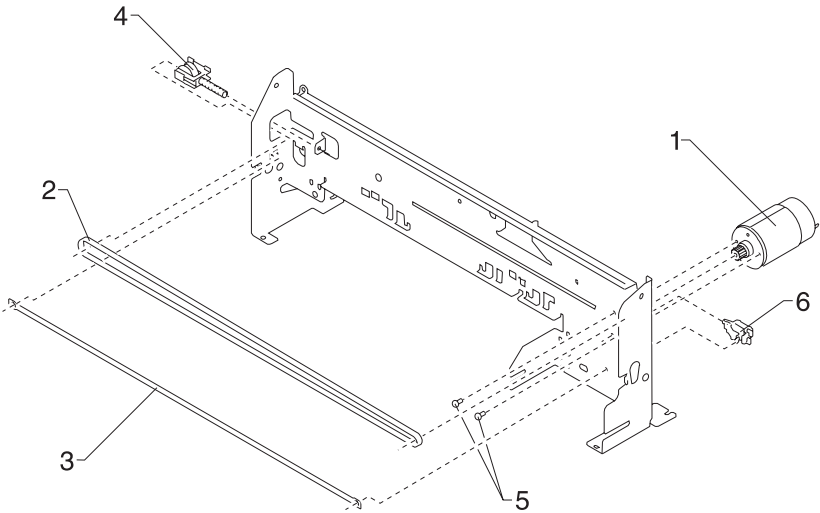
# Assembly 5: Carrier



**4092-010**

<b>Asm-Index</b>	<b>Part Number</b>	<b>Units</b>	<b>Description</b>
5 -1	13B0237	1	Printhead Carrier B/M
2	13B0222	1	Printhead Cable (Folded)
3	13B0238	1	Rubber Backer
4	13B0217	1	Carrier Guide Rod
5	69G4156	1	Encoder Card Asm
6	13B0239	1	Screw, Encoder Card Mounting (PP)
7	13B0221	1	Printhead Cartridge Interlock Key B/M
8	13B0239	2	Screw, Carrier Guide Rod (PP)
9	17B0168	2	Washer, Lock (Packet of 50)

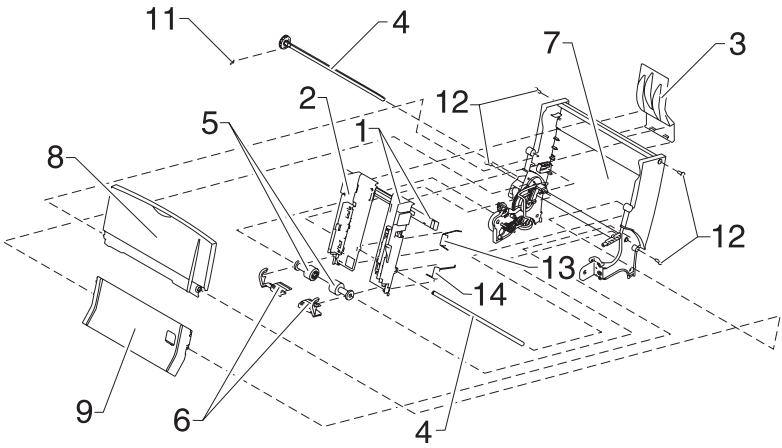
# Assembly 6: Carrier Transport



**4092-010**

<b>Asm-Index</b>	<b>Part Number</b>	<b>Units</b>	<b>Description</b>
6 -1	13B0219	1	Carrier Transport Motor & Pulley
2	13B0215	1	Carrier Belt
3	69G4403	1	Encoder Strip
4	17B0157	1	Idler Pulley Tension Asm
5	13B0239	2	Screw, Carrier Transport Motor Mounting (PP)
6	13B0239	1	Tensioner, Encoder Strip (PP)

# Assembly 7: Sheet Feeder

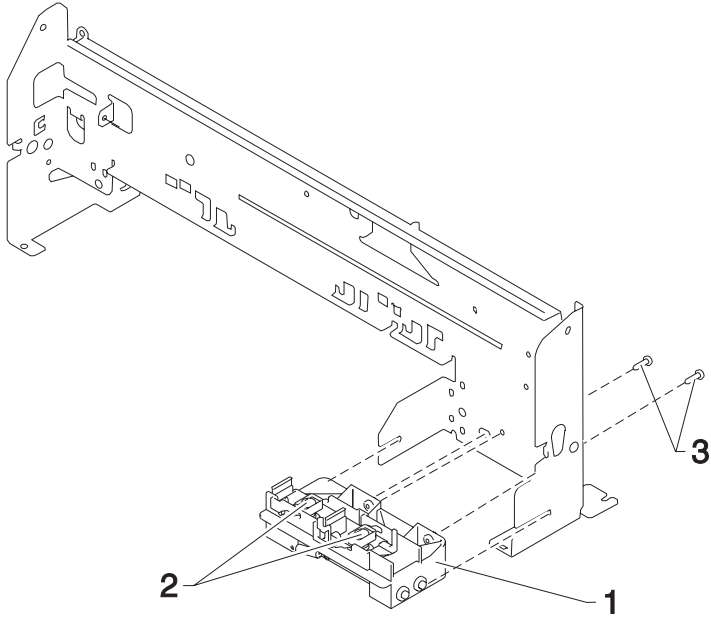


**4092-010**

<b>Asm-Index</b>	<b>Part Number</b>	<b>Units</b>	<b>Description</b>
7 -1	13A1227	1	Right Edge Guide & Width Adjust Strip
2	13A1228	1	Left Edge Guide
3	69G4131	1	Upper Paper Support
4	13A1229	1	Pick Roll & Paper Load Shaft B/M
5	12G0012	2	Pick Roll Hub Asm
6	1367019	1	Envelope Buckler B/M, Left & Right
7	12G0009	1	Back Plate
8	13A1226	1	Paper Load Door
9	69G4165	1	Manual Insert Tray
11	13B0239	1	E-Ring (PP)
12	13B0239	4	Screw, Side Frame (PP)
13	13B0239	1	Spring, Left Paper Load (PP)
14	13B0239	1	Spring, Right Paper Load (PP)

---

## Assembly 8: Maintenance Station



**4092-010**

<b>Asm-Index</b>	<b>Part number</b>	<b>Units</b>	<b>Description</b>
8 -1	13B0160	1	Maintenance Station Asm
2	70G0590	1	Wiper and Cap B/M (one of each)
3	13B0239	2	Screw, Maintenance Station Mounting (PP)