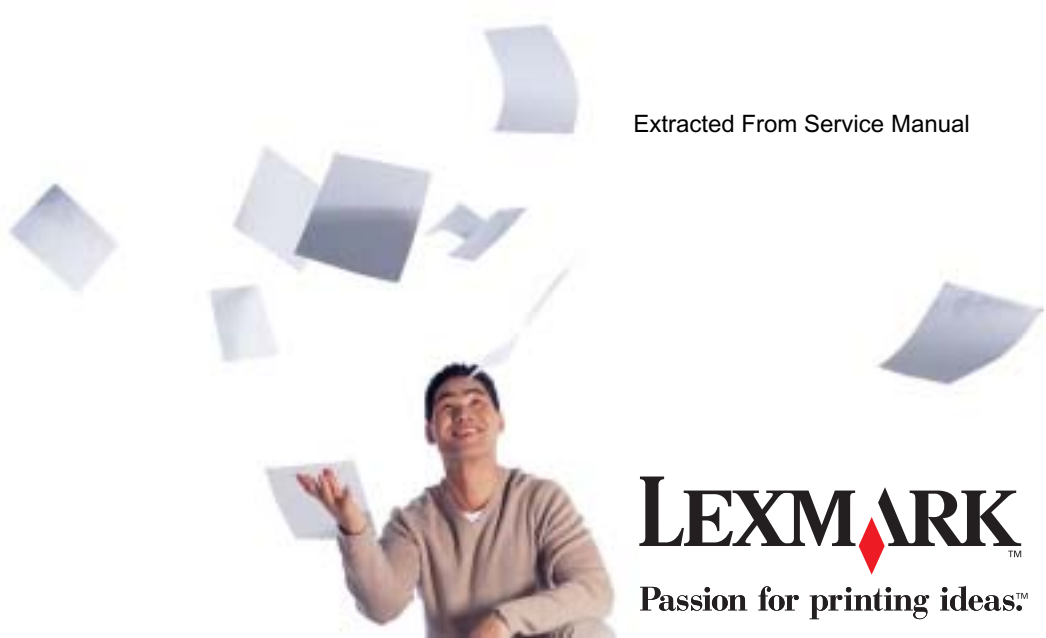


# Parts Breakdown

**7000 Color Jetprinter™, 7200**

**4092-00X**

Extracted From Service Manual



**LEXMARK™**  
Passion for printing ideas.™

**First Edition (November 1997)**

**The following paragraph does not apply to any country where such provisions are inconsistent with local law:** LEXMARK INTERNATIONAL, INC. PROVIDES THIS PUBLICATION "AS IS" WITHOUT WARRANTY OF ANY KIND, EITHER EXPRESS OR IMPLIED, INCLUDING, BUT NOT LIMITED TO, THE IMPLIED WARRANTIES OF MERCHANTABILITY OR FITNESS FOR A PARTICULAR PURPOSE. Some states do not allow disclaimer of express or implied warranties in certain transactions, therefore, this statement may not apply to you.

This publication could include technical inaccuracies or typographical errors. Changes are periodically made to the information herein; these changes will be incorporated in later editions. Improvements or changes in the products or the programs described may be made at any time.

Comments may be addressed to Lexmark International, Inc., Department D22A/035-3, 740 New Circle Road, Lexington, Kentucky 40550, U.S.A. Lexmark may use or distribute any of the information you supply in any way it believes appropriate without incurring any obligation to you. If your printer has broken or missing parts, or if you are missing publications, call 1-800-4LEXBMP. In other countries, contact your point of purchase. You can obtain additional copies of publications related to this product by calling 1-800-553-9727.

Lexmark is a trademark of Lexmark International, Inc., registered in the United States and/or other countries. Color Jetprinter is a trademark of Lexmark International, Inc. Other trademarks are the property of their respective owners.

**© Copyright Lexmark International, Inc. 1997. All rights reserved.**

**UNITED STATES GOVERNMENT RESTRICTED RIGHTS**

This software and documentation are provided with RESTRICTED RIGHTS. Use, duplication or disclosure by the Government is subject to restrictions as set forth in subparagraph (c)(1)(ii) of the Rights in Technical Data and Computer Software clause at DFARS 252.227-7013 and in applicable FAR provisions: Lexmark International, Inc., Lexington, KY 40550.

---

## 7. Parts Catalog

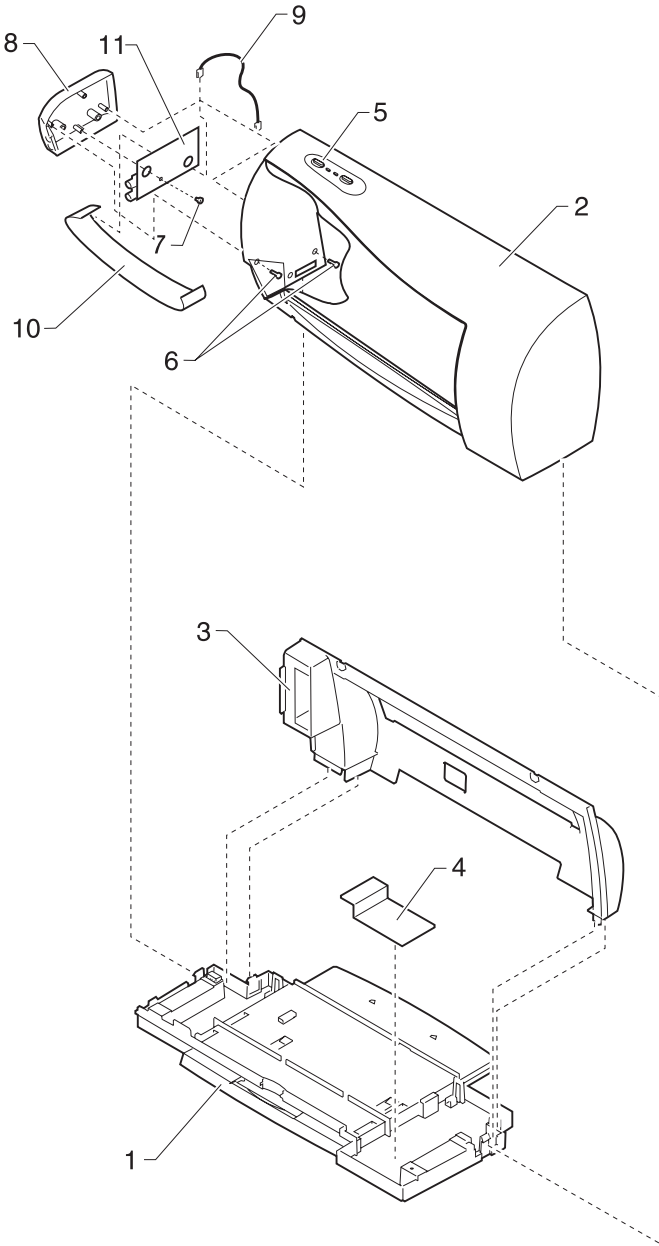
---

### How To Use This Parts Catalog

---

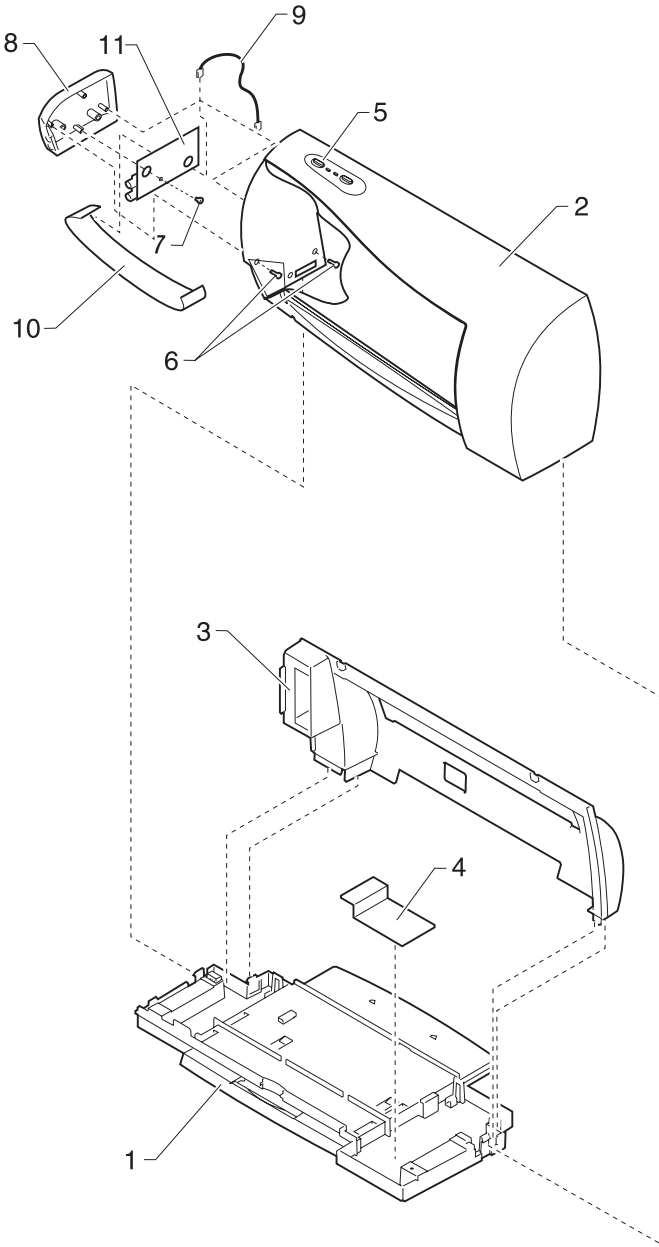
- **SIMILAR ASSEMBLIES:** If two assemblies contain a majority of identical parts, they are broken down on the same list. Common parts are shown by one index number. Parts peculiar to one or the other of the assemblies are listed separately and identified by description.
- **NS:** (Not Shown) in the Asm-Index column indicates that the part is procurable but is not pictured in the illustration.
- **PP:** in the Description column indicates the part is available in the listed parts packet.

# Assembly 1: Covers



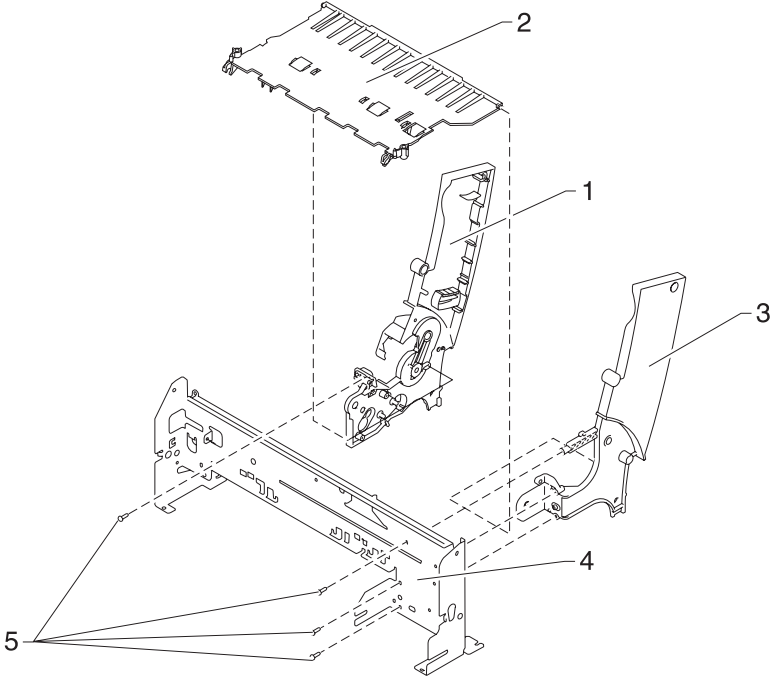
<b>Asm-Index</b>	<b>Part Number</b>	<b>Units</b>	<b>Description</b>
1 -1	17B0150	1	Base Asm includes Feet, Gutter Pad (4092-001, 003, 006)
1	17B0151	1	Base Asm includes Feet, Gutter Pad (4092-002, 004, 005)
1A	13A1234	1	Exit Tray and Extender (4092-001, 003, 006)
1A	13A1452	1	Exit Tray and Extender (4092-002, 004, 005)
2	13B0201	1	Front Cover Asm, Access Cover with Door Latch, Buttons & LED Lens (4092-001, 006)
2	13B0403	1	Front Cover Asm, Access Cover with Door Latch, Buttons & LED Lens (4092-002)
2	17B0152	1	Front Cover Asm, Access Cover with Door Latch, Buttons & LED Lens (4092-003)
2	17B0153	1	Front Cover Asm, Access Cover with Door Latch, Buttons & LED Lens (4092-004)
2	17B0165	1	Front Cover Asm, Access Cover with Door Latch, Buttons & LED Lens (4092-005)
2A	13B0202	1	Front Access Door with Latch (4092-001, 006)
2A	13B0402	1	Front Access Door with Latch (4092-002)
2A	17B0154	1	Front Access Door with Latch (4092-003)
2A	17B0155	1	Front Access Door with Latch (4092-004, 005)
3	69G4118	1	Rear Cover (4092-001, 003, 006)
3	13A1444	1	Rear Cover (4092-002, 004, 005)

# Assembly 1: Covers (continued)



<b>Asm-Index</b>	<b>Part Number</b>	<b>Units</b>	<b>Description</b>
1 - 4	17B0158	1	Gutter Pad (Large)
4	69G4119	1	Gutter Pad (Small)
5	13B0203	1	Lens (LED) & Power Button
6	13B0239	2	Screw (PP)
7	13B0239	1	Screw (PP)
8	17B0166	1	Cover, Video Card
9	17B0164	1	Cable, Video Ground
10	17B0163	1	Cable, Video Flex
11	17B0161	1	Board, Video
NS	17B0162	1	Cable, Video (Coax)
NS	13A1257	1	Office Organizer
NS	7347806	1	Plain Package B/M includes: (Carton, Cushion Set, Sealing Tape)
NS	13A3554	1	Garage with Sticker (4092-003, 004)
NS	17B0159	1	"Need More Ink" Label (4092-003, 004)
NS	17B0156	1	"Snappy" Sticker
NS	17B0167	1	Ex2 Inside Sticker (4092-003, 004)

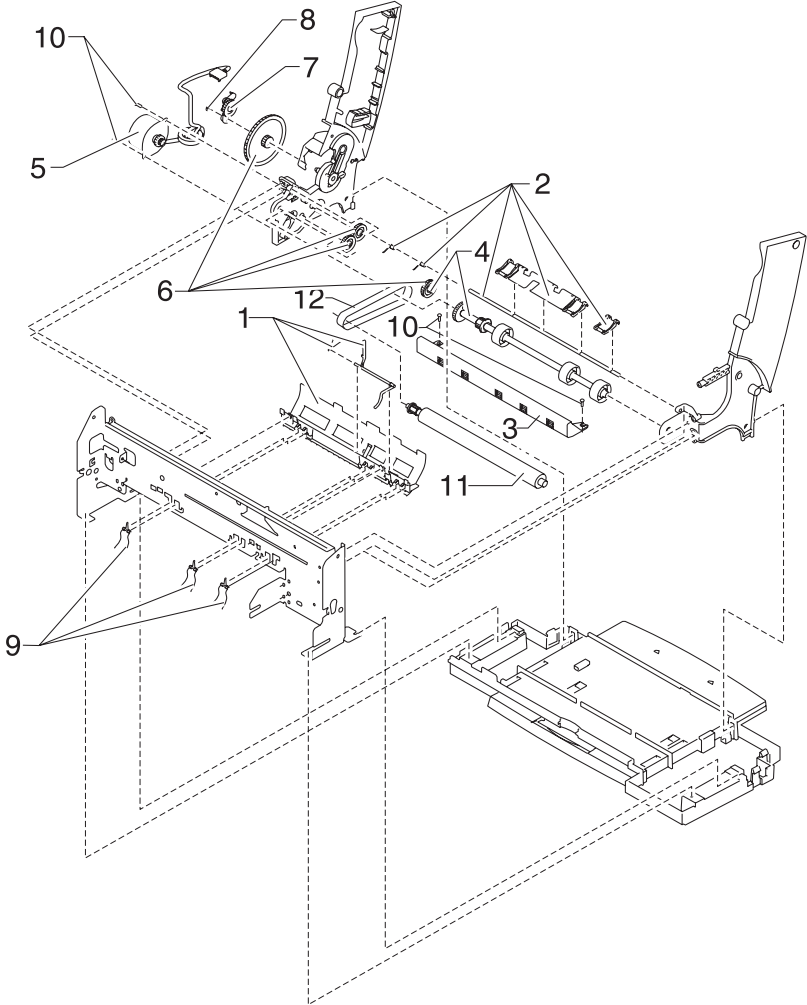
# Assembly 2: Frames



**4092**

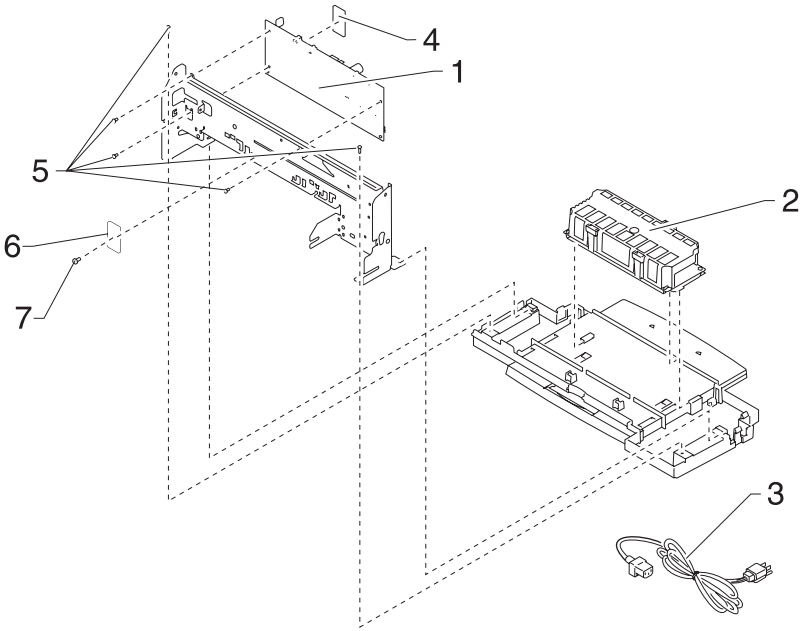
<b>Asm-Index</b>	<b>Part Number</b>	<b>Units</b>	<b>Description</b>
2 -1	13B0411	1	Left Side Frame (4092-001, 003, 006)
1	13B0412	1	Left Side Frame (4092-002, 004, 005)
2	13B0272	1	Mid Frame
3	13A1236	1	Right Side Frame (4092-001, 003, 006)
3	13A1446	1	Right Side Frame (4092-002, 004, 005)
4	13B0204	1	Carrier Frame

# Assembly 3: Paper Feed



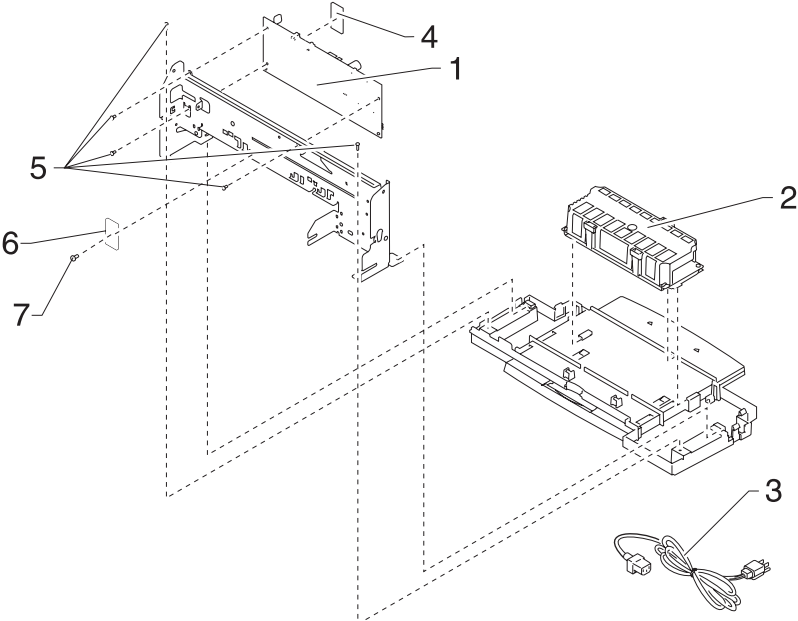
<b>Asm-Index</b>	<b>Part Number</b>	<b>Units</b>	<b>Description</b>
3 -1	13B0205	1	Paper Guide Asm includes EOF Flag & Spring
2	13A1280	1	Small Feed Roll Shaft Roll B/M and Paper Flap
3	13B0212	1	Star Roller Asm
4	13B0275	1	Large Feed Roll Asm (includes Small Compound Idler Gear)
5	13B0276	1	Paper Feed Motor, Motor Gear, Toroid
5A	13B0239	1	Warning Label, Motor (PP)
6	13B0271	1	Gears B/M
7	69G4398	1	Feed Arm Asm
8	13B0239	1	C-Clip (PP)
9	13B0239	3	Spring, Small Feed Roll (PP)
10	13B0239	2	Screw, Paper Feed Motor Mounting (PP)
11	13B0223	1	Exit Roller
12	70G0579	1	Exit Drive Belt
NS	13B0239	1	Gear Retainer (PP)

# Assembly 4: Electronics



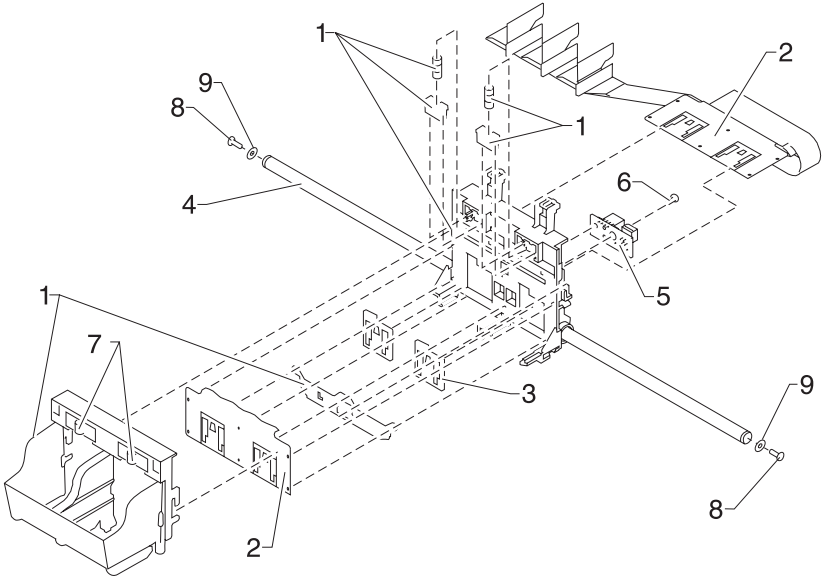
Asm-Index	Part Number	Units	Description
4 -1	13B0070	1	System Board, W/O Code Module
1	17B0160	1	System Board, W/O Code Module (4092-005)
2	13B0214	1	Power Supply (Universal) with Ground Plane, Insulator, Cover
3	1339526	1	Power Cord, U.S.
	1342514		Power Cord, Argentina
	1339520		Power Cord, Austria
	1339520		Power Cord, Belgium
	1342514		Power Cord, Bolivia
	1342514		Power Cord, Brazil (LV)
	1342534		Power Cord, Brazil (HV)
	1339526		Power Cord, Canada
	1342534		Power Cord, Chile
	1342514		Power Cord, Columbia
	1342514		Power Cord, Costa Rica
	1339525		Power Cord, Denmark
	1342514		Power Cord, Ecuador
	1339519		Power Cord, Egypt
	1342514		Power Cord, El Salvador
	1339520		Power Cord, Finland
	1339520		Power Cord, France
	1339520		Power Cord, Germany
	1342514		Power Cord, Guatemala
	1342514		Power Cord, Honduras
	1339521		Power Cord, Israel
	1339524		Power Cord, Italy
	70G0496		Power Cord, Japan
	1342514		Power Cord, Mexico
	1339520		Power Cord, Netherlands
	1342514		Power Cord, Nicaragua
	1339520		Power Cord, Norway
	1342514		Power Cord, Panama
	1342536		Power Cord, Paraguay
	1342514		Power Cord, Peru
	1339517		Power Cord, Saudi Arabia
	1339523		Power Cord, South Africa
	1339520		Power Cord, Spain
	1339520		Power Cord, Sweden
	1339522		Power Cord, Switzerland
	1339519		Power Cord, United Kingdom
	1342536		Power Cord, Uruguay
	1342514		Power Cord, Venezuela

# Assembly 4: Electronics (continued)



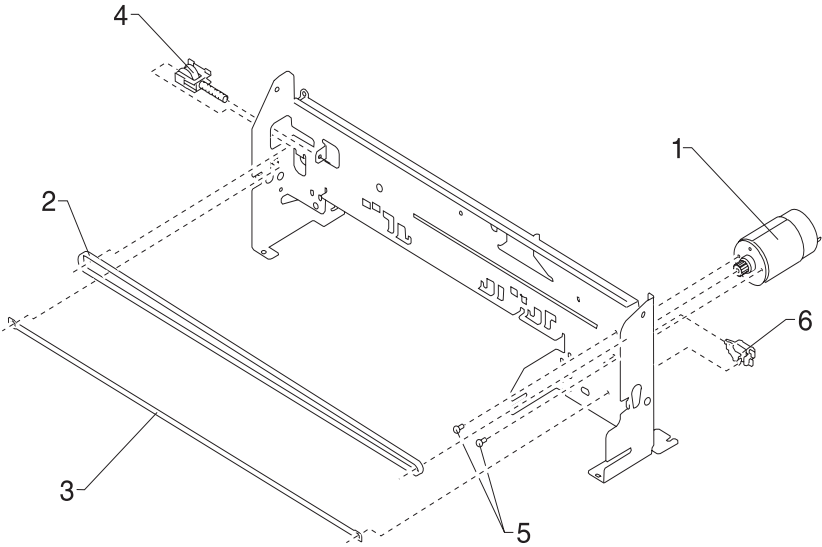
<b>Asm-Index</b>	<b>Part Number</b>	<b>Units</b>	<b>Description</b>
4-4	13B0309	1	Code Module (4092-001, 002, 003, 004, 006)
4	17B0186	1	Code Module (4092-005)
5	13B0239	5	Screw, System Board Mounting, Frame Mounting (PP)
6	13B0045	1	Thermal Sensor Board w/ Cable
7	13B0239	1	Screw, Thermal Sensor Mounting (PP)
NS	13B0239	1	Jumper, 2-Pin (PP)

# Assembly 5: Carrier



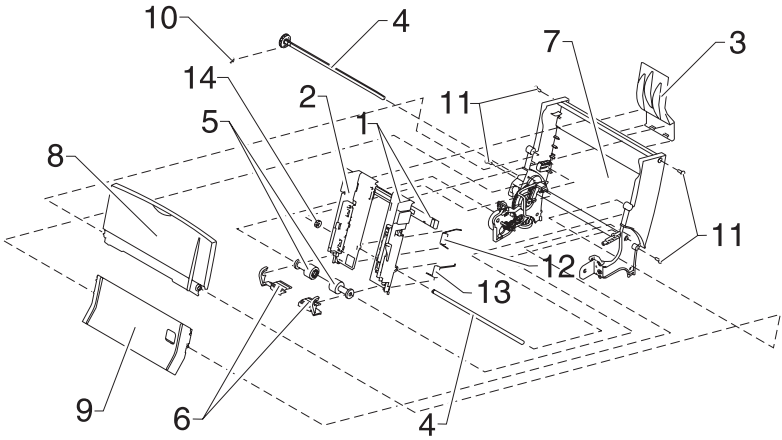
<b>Asm-Index</b>	<b>Part Number</b>	<b>Units</b>	<b>Description</b>
5 -1	13B0237	1	Printhead Carrier B/M
2	13B0222	1	Printhead Cable (Folded)
3	13B0238	1	Rubber Backer
4	13B0217	1	Carrier Guide Rod
5	69G4156	1	Encoder Card Asm
6	13B0239	1	Screw, Encoder Card Mounting (PP)
7	13B0221	1	Printhead Cartridge Interlock Key B/M
8	13B0239	2	Screw, Carrier Guide Rod (PP)
9	17B0168	2	Washer, Lock (Packet of 50)

# Assembly 6: Carrier Transport



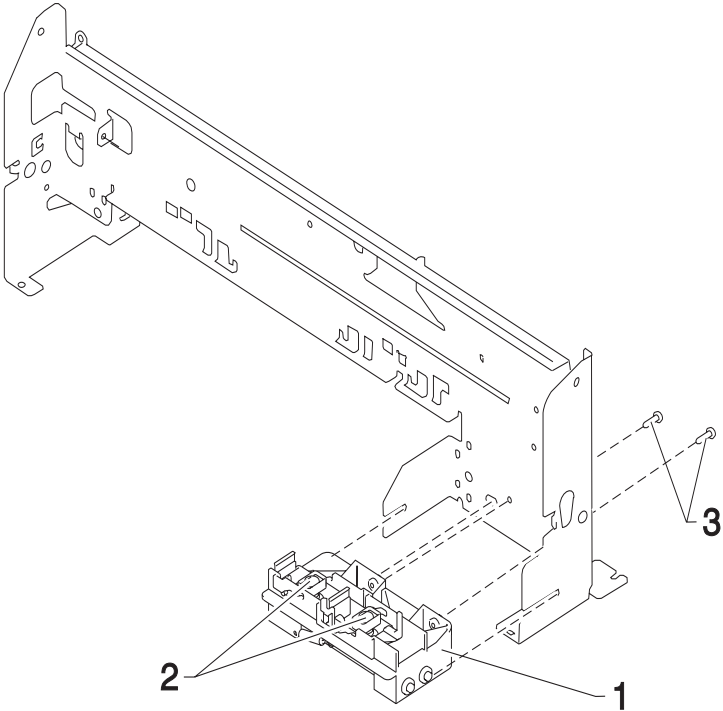
<b>Asm-Index</b>	<b>Part Number</b>	<b>Units</b>	<b>Description</b>
6 -1	13B0219	1	Carrier Transport Motor & Pulley
2	13B0215	1	Carrier Belt
3	69G4403	1	Encoder Strip
4	17B0157	1	Idler Pulley Tension Asm
5	13B0239	2	Screw, Carrier Transport Motor Mounting (PP)
6	13B0239	1	Tensioner, Encoder Strip (PP)

# Assembly 7: Sheet Feeder



<b>Asm-Index</b>	<b>Part Number</b>	<b>Units</b>	<b>Description</b>
7 -1	13A1227	1	Right Edge Guide & Width Adjust Strip (4092-001, 003, 006)
1	13A1442	1	Right Edge Guide & Width Adjust Strip (4092-002, 004, 005)
2	13A1228	1	Left Edge Guide (4092-001, 003, 006)
2	13A1443	1	Left Edge Guide (4092-002, 004, 005)
3	69G4131	1	Upper Paper Support (4092-001, 003, 006)
3	13A1451	1	Upper Paper Support (4092-002, 004, 005)
4	13A1229	1	Pick Roll & Paper Load Shaft B/M
5	1367463	2	Pick Roll Hub Asm
6	1367019	1	Envelope Buckler B/M, Left & Right
7	69G4169	1	Back Plate (4092-001, 003, 006)
7	13A1448	1	Back Plate (4092-002, 004, 005)
8	13A1226	1	Paper Load Door (4092-001, 003, 006)
8	13A1440	1	Paper Load Door (4092-002, 004, 005)
9	69G4165	1	Manual Insert Tray (4092-001, 003, 006)
9	13A1447	1	Manual Insert Tray (4092-002, 004, 005)
10	13B0239	1	E-Ring (PP)
11	13B0239	4	Screw, Side Frame (PP)
12	13B0239	1	Spring, Left Paper Load (PP)
13	13B0239	1	Spring, Right Paper Load (PP)
14	13B0271	1	Gear, Paper Load (Gears B/M)

# Assembly 8: Maintenance Station



<b>Asm-Index</b>	<b>Part number</b>	<b>Units</b>	<b>Description</b>
8 -1	13B0160	1	Maintenance Station Asm
2	70G0590	1	Wiper and Cap B/M (one of each)
3	13B0239	2	Screw, Maintenance Station Mounting (PP)