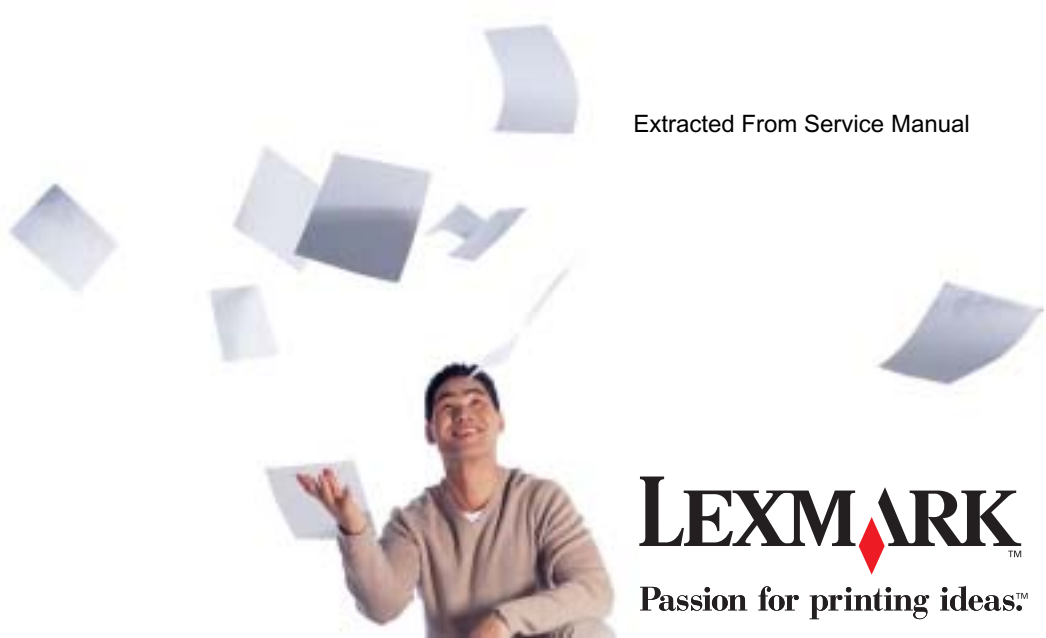


# Parts Breakdown

**5000 and 5700 Color Jetprinter™, 5770 Photo Jetprinter**

**4093/4094**

Extracted From Service Manual



**LEXMARK™**  
Passion for printing ideas.™

## 4093/4094

Edition: October 2000

**The following paragraph does not apply to any country where such provisions are inconsistent with local law:** LEXMARK INTERNATIONAL, INC. PROVIDES THIS PUBLICATION "AS IS" WITHOUT WARRANTY OF ANY KIND, EITHER EXPRESS OR IMPLIED, INCLUDING, BUT NOT LIMITED TO, THE IMPLIED WARRANTIES OF MERCHANTABILITY OR FITNESS FOR A PARTICULAR PURPOSE. Some states do not allow disclaimer of express or implied warranties in certain transactions, therefore, this statement may not apply to you.

This publication could include technical inaccuracies or typographical errors. Changes are periodically made to the information herein; these changes will be incorporated in later editions. Improvements or changes in the products or the programs described may be made at any time.

Comments may be addressed to Lexmark International, Inc., Department D22/035-3, 740 New Circle Road N.W., Lexington, Kentucky 40550, U.S.A. Lexmark may use or distribute any of the information you supply in any way it believes appropriate without incurring any obligation to you. You can purchase additional copies of publications related to this product by calling 1-800-553-9727. In other countries, contact your point of purchase.

Lexmark and Optra are trademarks of Lexmark International, Inc., registered in the United States and/or other countries.

Color Jetprinter is a trademark of Lexmark International, Inc.

Other trademarks are the property of their respective owners.

© Copyright Lexmark International, Inc. 1998, 2000  
All rights reserved.

### **UNITED STATES GOVERNMENT RESTRICTED RIGHTS**

This software and documentation are provided with RESTRICTED RIGHTS. Use, duplication or disclosure by the Government is subject to restrictions as set forth in subparagraph (c)(1)(ii) of the Rights in Technical Data and Computer Software clause at DFARS 252.227-7013 and in applicable FAR provisions: Lexmark International, Inc., Lexington, KY 40550.

---

## 7. Parts Catalog

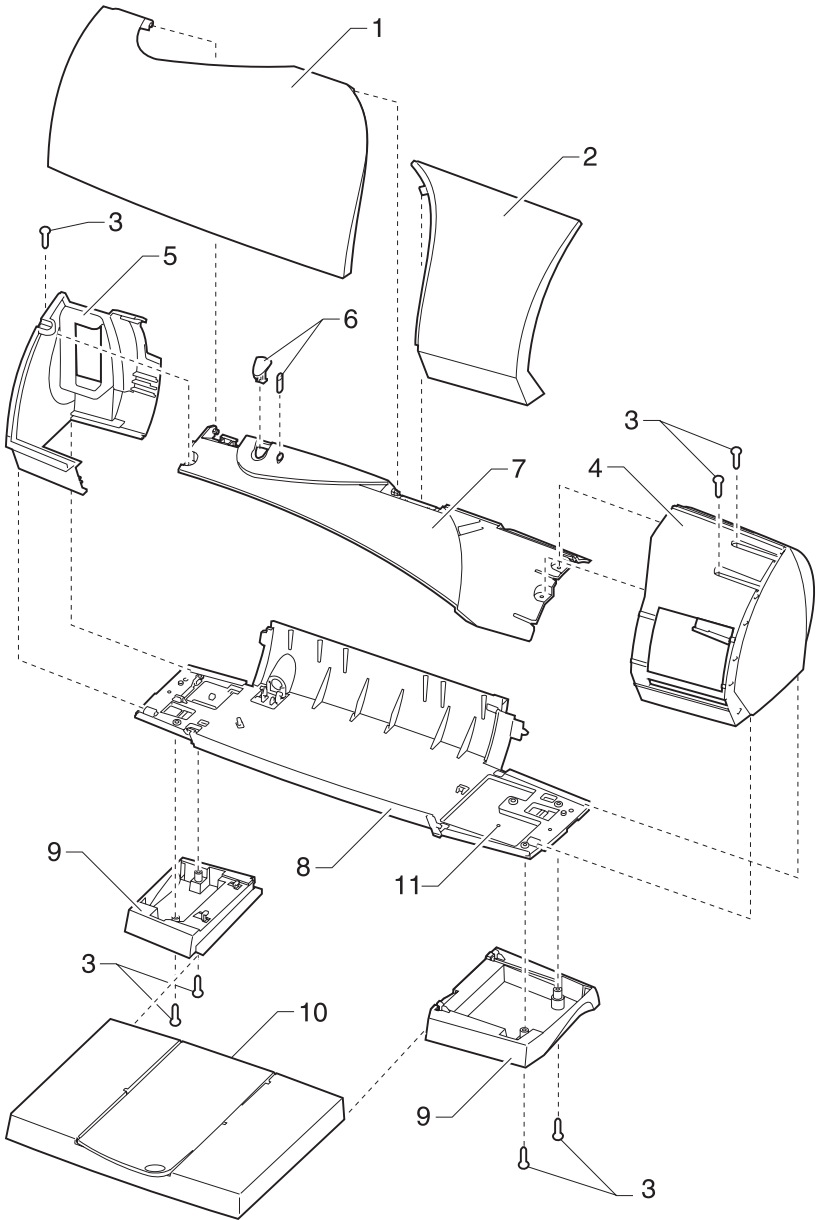
---

### How To Use The Parts Catalog

---

- **SIMILAR ASSEMBLIES:** If two assemblies contain a majority of identical parts, they are shown on the same list. Common parts are shown by one index number. Parts peculiar to one or the other of the assemblies are listed separately and identified by description.
- **NS:** (Not Shown) in the Asm-Index column indicates that the part is procurable but is not shown in the illustration.
- **PP:** in the Description column indicates the part is available in the listed parts packet.

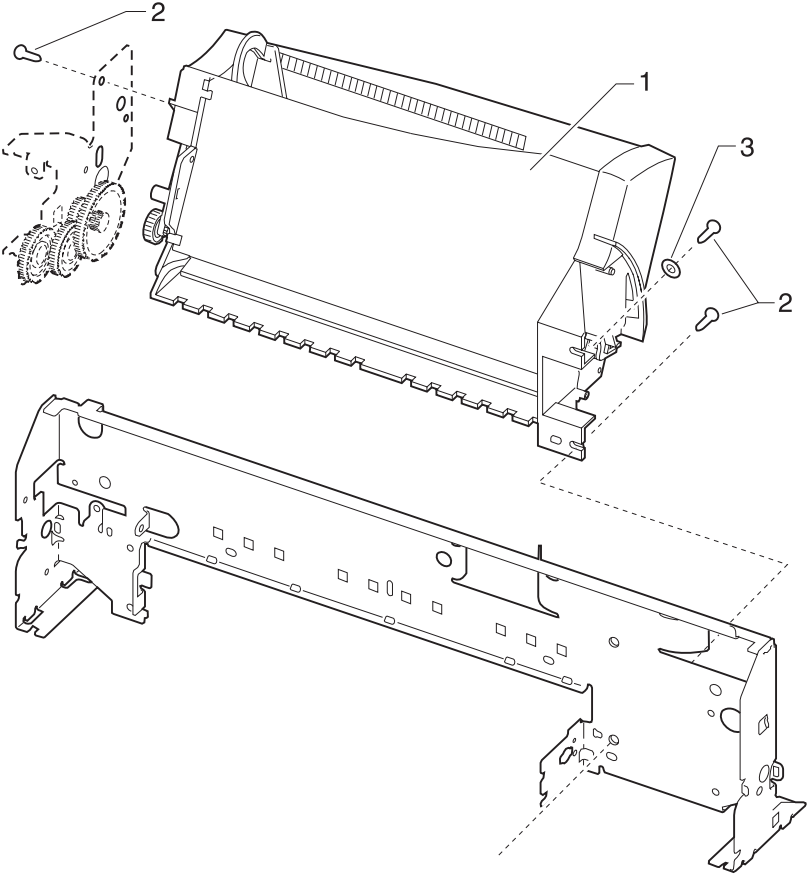
# Assembly 1: Covers



**Assembly 1: Covers**

<b>Asm-Index</b>	<b>Part Number</b>	<b>Units</b>	<b>Description</b>
1 -1	13A3842	1	Cover, Front Access (4093-S01,S04)(4094-S01)
1	13A3843	1	Cover, Front Access (4093-S02) (4094-S02)
2	13A3846	1	Cover, Accent (4094-S01)
2	13A3848	1	Cover, Accent (4093-S01)
2	13A3849	1	Cover, Accent (4093-S02)
2	13A3847	1	Cover, Accent (4094-S02)
3	17A0138	3	Screws, PP
4	13A3852	1	Cover, Right (4093-S01,S04) (4094-S01)
4	13A3853	1	Cover, Right (4093-S02) (4094-S02)
5	13A3844	1	Cover, Left (4093-S01,S04) (4094-S01)
5	13A3845	1	Cover, Left (4093-S02) (4094-S02)
6	13A3856	1	Lens (LED) & Power Button
7	13A3854	1	Cover, Center (4093-S01,S04)(4094-S01)
7	13A3855	1	Cover, Center (4093-S02) (4094-S02)
8	13A3840	1	Base Asm includes Feet, Gutter Pad (4093-S01,S04) (4094-S01)
8	13A3841	1	Base Asm includes Feet, Gutter Pad (4093-S02) (4094-S02)
9	13A3861	1	Exit Tray Base (L & R) (4093-S01,S04)
9	13A3862	1	Exit Tray Base (L & R) (4093-S02)
10	17A0100	1	Exit Tray Asm (4093-S01,S04)
10	17A0101	1	Exit Tray Asm (4093-S02)
11	13A3857	1	Gutter Pad
NS	7349594	1	Plain Package B/M (5000-5700)includes: (Carton, Cushion Set, Sealing Tape)
NS	7350305	1	Plain Package B/M (5770) includes: (Carton, Cushion Set, Sealing Tape)
NS	12G0149	1	Packet of 20 Feet

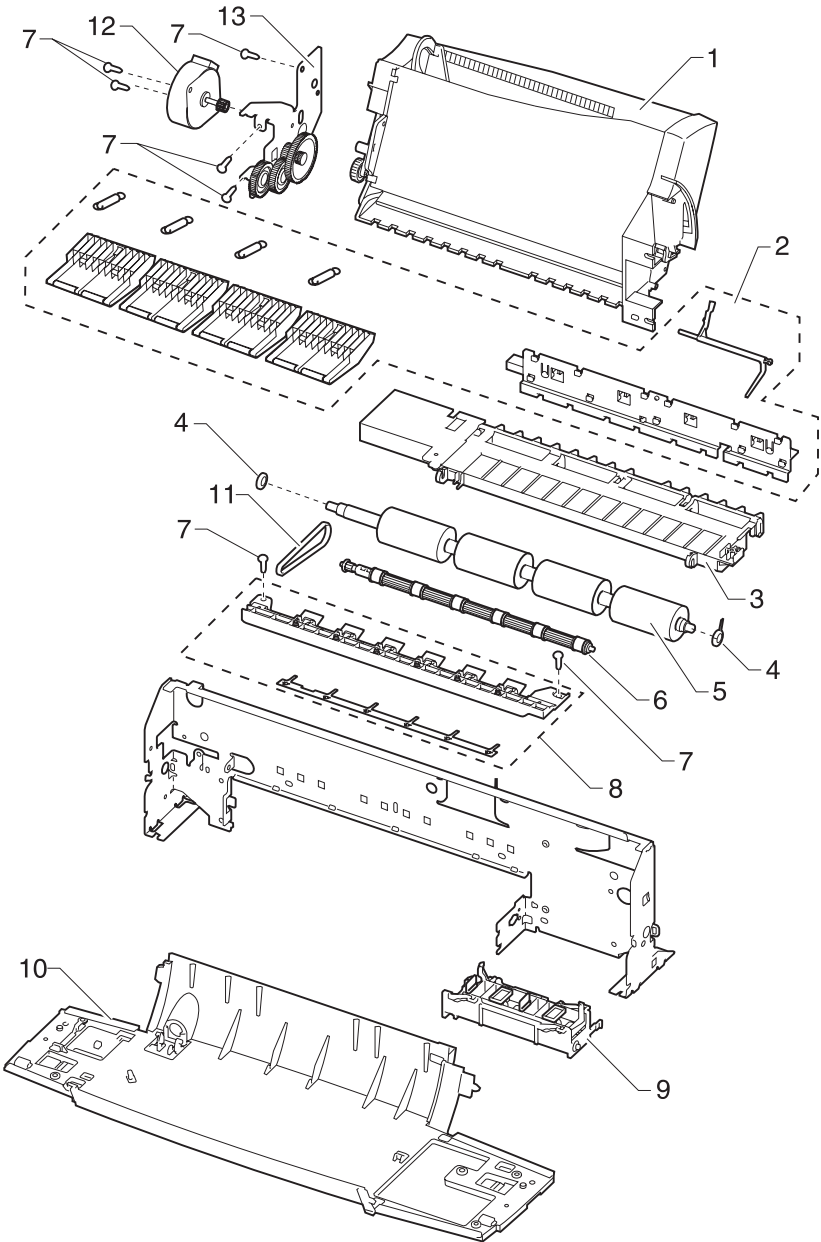
# Assembly 2: Frames



**Assembly 2: Frames**

<b>Asm-Index</b>	<b>Part Number</b>	<b>Units</b>	<b>Description</b>
2-1	17A0132	1	Sheet Feeder Asm (4093-S01,S04) (4094-S01)
1	17A0133	1	Sheet Feeder Asm (4093-S02) (4094-S02)
2	17A0138	3	Screws, PP
3	12G0249	1	Washers, (packet of 10) ASF Right Mounting Screw (PP)
NS	17A0493	5	Printhead Cable Guide Strip & Clip
NS	17A0748	5	Pulley Cuff & Printhead Cable Pad

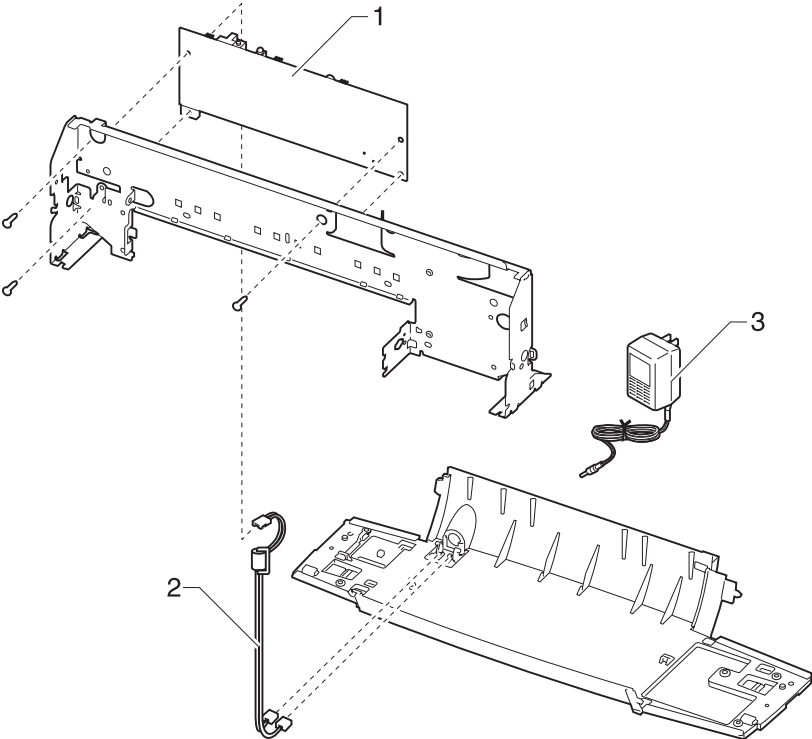
# Assembly 3: Paper Feed



**Assembly 3: Paper Feed**

<b>Asm-Index</b>	<b>Part Number</b>	<b>Units</b>	<b>Description</b>
3-1	17A0132	1	Sheet Feeder Asm (4093-S01,S04) (4094-S01)
1	17A0133	1	Sheet Feeder Asm (4093-S02)(4094-S02)
2	17A0106	1	Small Feed Roll Asm w/Holder & Flag
3	17A0104	1	Mid Frame
4	17A0138	2	Bushing, Large Feed Roll (PP)
5	17A0108	1	Large Feed Roll Asm
6	17A0111	1	Exit Roller and Pulley B/M
7	17A0138	2	Screw, Paper Feed Motor (PP)
8	17A0107	1	Star Roller Crossbar Asm
9	17A0136	1	Maintenance Station Asm
10	13A3840	1	Base Asm, Includes Feet & Gutter Pad (4093-S01,S04) (4094-S01)
10	13A3841	1	Base Asm, Includes Feet & Gutter Pad (4093-S02) (4094-S02)
11	17A0112	1	Exit Drive Belt
12	17A0109	1	Paper Feed Motor Asm with Idler Gear
13	17A0110	1	Gears Plate Asm without Motor

# Assembly 4: Electronics



## Assembly 4: Electronics

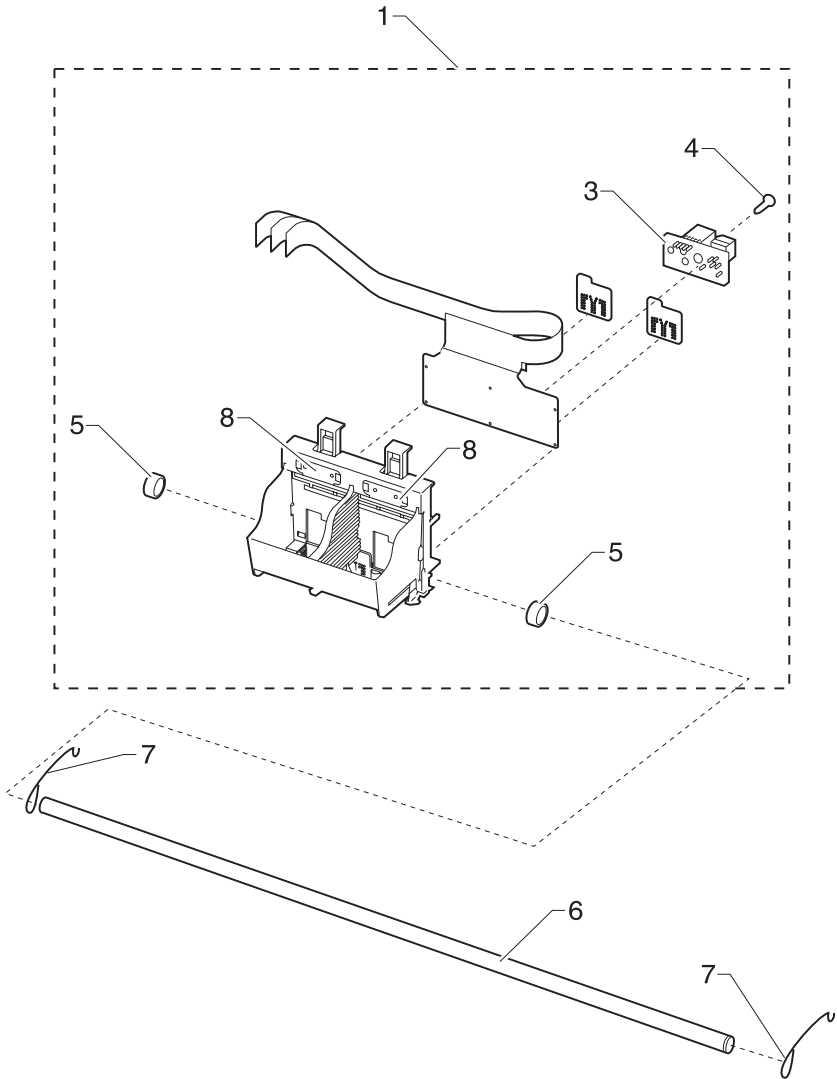
Asm-Index	Part Number	Units	Description
4-1	13A4494	1	<b>.5mm to 1 mm</b> conversion kit for 4093 (Contains Carrier Asm and System Board)
1	13A4497	1	<b>.5mm to 1 mm</b> conversion kit for the 4094 (Contains Carrier Asm and System Board)
1	17A0116	1	System Board - See <b>Notice</b> below <b>1 mm width</b> (4093-S01, S02)
1	17A0118	1	System Board - See <b>Notice</b> below <b>1 mm width</b> (4094-S01, S02)
2	17A0120	1	Power Connector
3	13A3593	1	Power Supply, External 100 V (4093-S01, S02) (4094-S01, S02)
3	13A3594	1	Power Supply, External 120-127 V (4093-S01, S02) (4094-S01, S02)
3	13A3595	1	Power Supply, External 220-240 V (4093-S01, S02) (4094-S01, S02)
NS	11B6073	1	Power Cable (United Kingdom)
NS	11B6074	1	Power Cable (Europe)
NS	11B6075	1	Power Cable (Israel)
NS	11B6076	1	Power Cable (Australia /New Zealand)
NS	11B6077	1	Power Cable (South Africa)
NS	17A0119	1	Cover, System Board

### Cable Notice

Check the printhead cable connectors to determine the correct system board replacement.

- **.5 mm width**  
.5 mm cable with 0.625 inch (16 mm) width at connectors (J1, J2, J3)
- **1 mm width**  
1 mm cable with 1.25 inch (32 mm) width at connectors (J1, J2, J3)

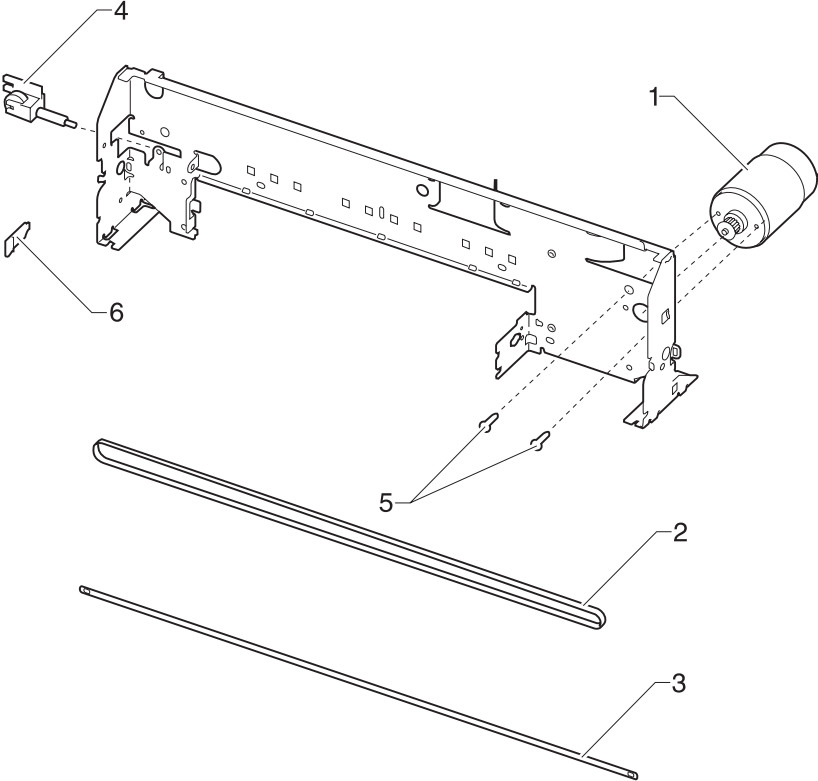
# Assembly 5: Carrier



**Assembly 5: Carrier**

<b>Asm-Index</b>	<b>Part Number</b>	<b>Units</b>	<b>Description</b>
5-1	17A0139	1	Printhead Carrier Asm - see "Cable Notice" on page 7-9 <b>1 mm width</b> (4093-S01, S02, S04)
1	17A0140	1	Printhead Carrier Asm - see "Cable Notice" on page 7-9 <b>1 mm width</b> (4094-S01, S02)
3	17A0126	1	Encoder Card Asm w/ Thermistor (4093-S01, S02, S04)
3	17A0127	1	Encoder Card Asm w/ Thermistor (4094-S01, S02)
4	17A0138	1	Screw, Encoder Card Mount (PP)
5	17A0138	2	Bearing, Carrier (PP)
6	17A0125	1	Carrier Guide Rod
7	17A0138	2	Retainers, Shaft (PP)
8	17A0128	1	Printhead Cartridge Interlock Key B/M
NS	13A3860	1	Garage Asm

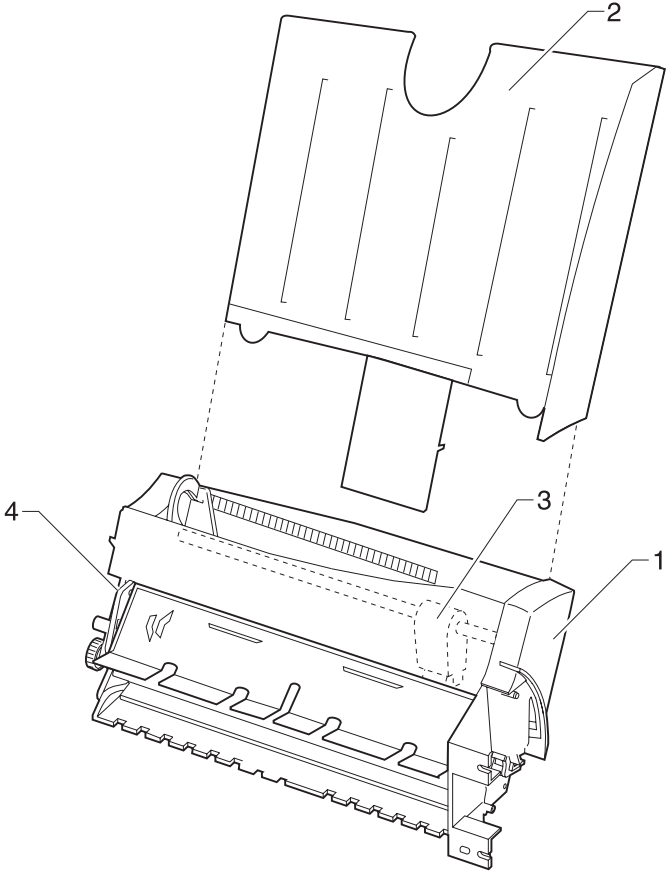
# Assembly 6: Carrier Transport



**Assembly 6: Carrier Transport**

<b>Asm-Index</b>	<b>Part Number</b>	<b>Units</b>	<b>Description</b>
6-1	17A0129	1	Motor, Carrier Transport Asm & Pulley (DC)
2	17A0130	1	Carrier Belt
3	17A0131	1	Encoder Strip
4	17A0138	1	Idler Pulley Tension Asm (PP)
5	17A0138	2	Screw, Carrier Transport Motor (PP)
6	12G0164	5	Retainer, Encoder Strip (5 in packet)

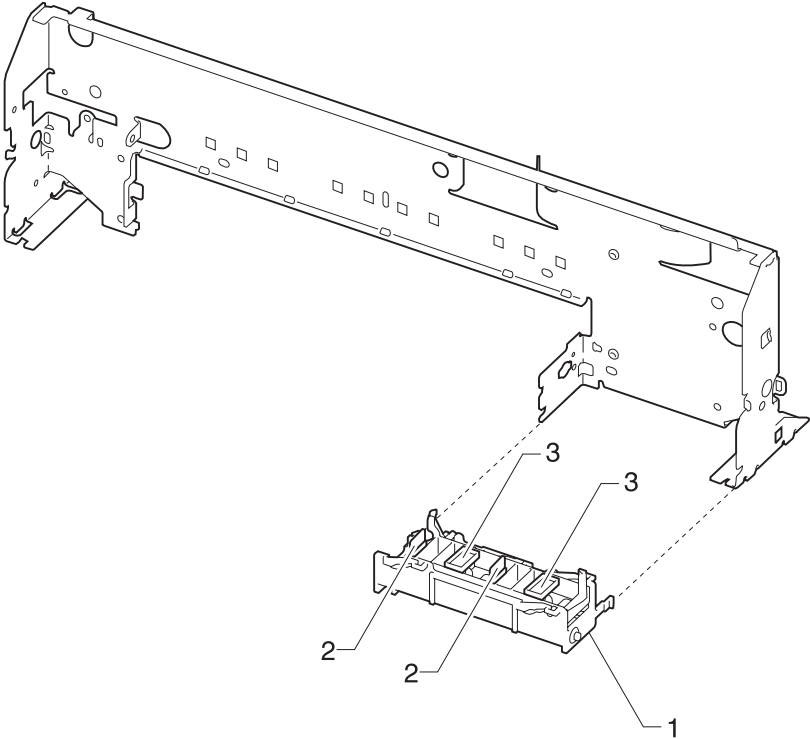
# Assembly 7: Sheet Feeder



**Assembly 7: Sheet Feeder**

<b>Asm-Index</b>	<b>Part Number</b>	<b>Units</b>	<b>Description</b>
7-1	17A0132	1	Sheet Feeder Asm (4093-S01,S04) (4094-S01)
1	17A0133	1	Sheet Feeder Asm (4093-S02) (4094-S02)
2	17A0102	1	Support, Paper (4093-S01,S04) (4094-S01)
2	17A0103	1	Support, Paper (4093-S02) (4094-S02)
3	17A0134	1	Paper Pick Assembly
4	17A0135	1	Belt, Sheet Feeder Drive

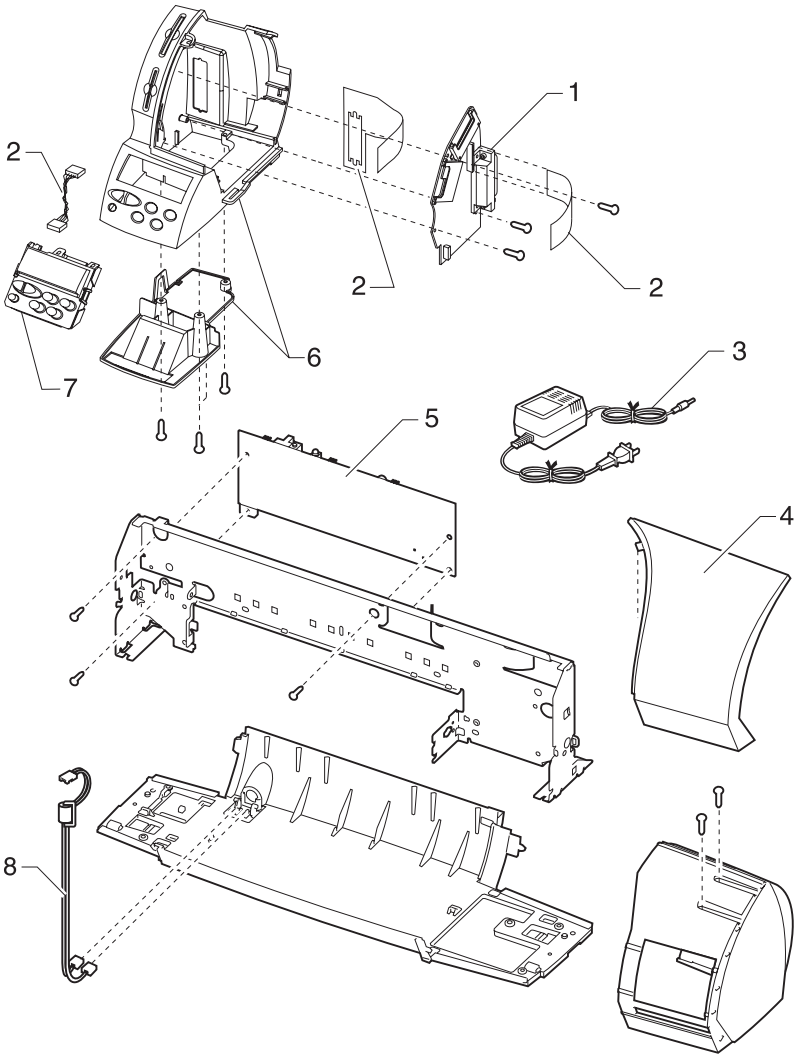
# Assembly 8: Maintenance Station



**Assembly 8: Maintenance Station**

<b>Asm-Index</b>	<b>Part Number</b>	<b>Units</b>	<b>Description</b>
8-1	17A0136	1	Maintenance Station Asm
2, 3	17A0137	1	Wiper and Cap B/M (one of each)

# Assembly 9: Photo Controller



**Assembly 9: Photo Controller**

<b>Asm-Index</b>	<b>Part Number</b>	<b>Units</b>	<b>Description</b>
9-1	12G0142	1	Board, Photo Controller
2	12G0145	1	Cables, Operator Panel and System Board and a System Board Cable Shield.
3	14R0172	1	Power Supply, External 100 V
3	14R0173	1	Power Supply, External 120-127 V
3	14R0174	1	Power Supply, External 220-240 V
4	12G0146	1	Cover, Accent
5	12G0141	1	Board, System
6	12G0143	1	Covers, Photo Controller
7	12G0144	1	Panel, Operator
8	17A0120	1	Power Connector