

# Parts Breakdown

## 1000 and 1100 Color Jetprinter™

**4096-00X**

Extracted From Service Manual



**LEXMARK™**

Passion for printing ideas.™

**First Edition (May, 1998)**

**The following paragraph does not apply to any country where such provisions are inconsistent with local law:** LEXMARK INTERNATIONAL, INC. PROVIDES THIS PUBLICATION "AS IS" WITHOUT WARRANTY OF ANY KIND, EITHER EXPRESS OR IMPLIED, INCLUDING, BUT NOT LIMITED TO, THE IMPLIED WARRANTIES OF MERCHANTABILITY OR FITNESS FOR A PARTICULAR PURPOSE. Some states do not allow disclaimer of express or implied warranties in certain transactions, therefore, this statement may not apply to you.

This publication could include technical inaccuracies or typographical errors. Changes are periodically made to the information herein; these changes will be incorporated in later editions. Improvements or changes in the products or the programs described may be made at any time.

A form for reader's comments is provided at the back of this publication. If the form has been removed, comments may be addressed to Lexmark International, Inc., Department D22/035-3, 740 New Circle Road N.W., Lexington, Kentucky 40550, U.S.A. Lexmark may use or distribute any of the information you supply in any way it believes appropriate without incurring any obligation to you. You can purchase additional copies of publications related to this product by calling 1-800-553-9727. In other countries, contact your point of purchase.

Lexmark and Optra are trademarks of Lexmark International, Inc., registered in the United States and/or other countries.

Color Jetprinter is a trademark of Lexmark International, Inc.

Other trademarks are the property of their respective owners.

© **Copyright Lexmark International, Inc. 1997, 1998.**

**All rights reserved.**

**UNITED STATES GOVERNMENT RESTRICTED RIGHTS**

This software and documentation are provided with RESTRICTED RIGHTS. Use, duplication or disclosure by the Government is subject to restrictions as set forth in subparagraph (c)(1)(ii) of the Rights in Technical Data and Computer Software clause at DFARS 252.227-7013 and in applicable FAR provisions: Lexmark International, Inc., Lexington, KY 40550.

---

## 7. Parts Catalog

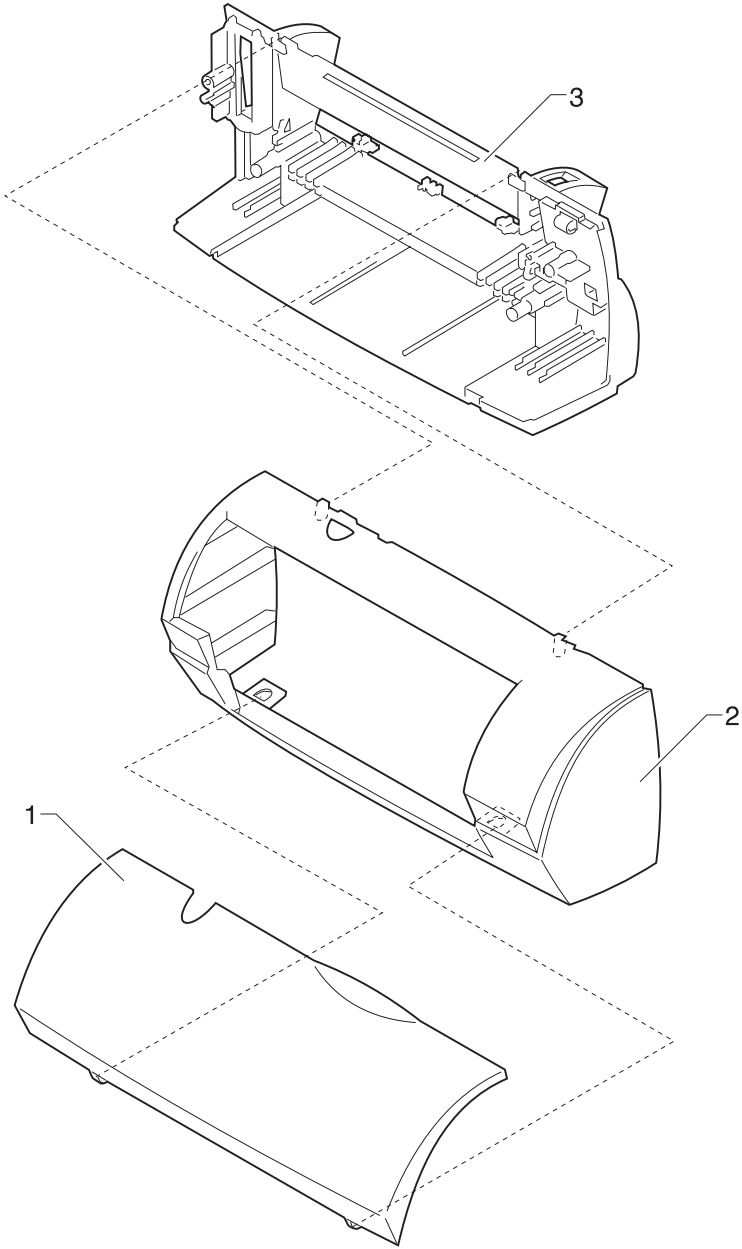
---

### How To Use This Parts Catalog

---

- **SIMILAR ASSEMBLIES:** If two assemblies contain a majority of identical parts, they are broken down on the same list. Common parts are shown by one index number. Parts peculiar to one or the other of the assemblies are listed separately and identified by description.
- **NS:** (Not Shown) in the Asm-Index column indicates that the part is procurable but is not pictured in the illustration.
- **PP:** in the parts description column indicates the part is available in the listed parts packet.

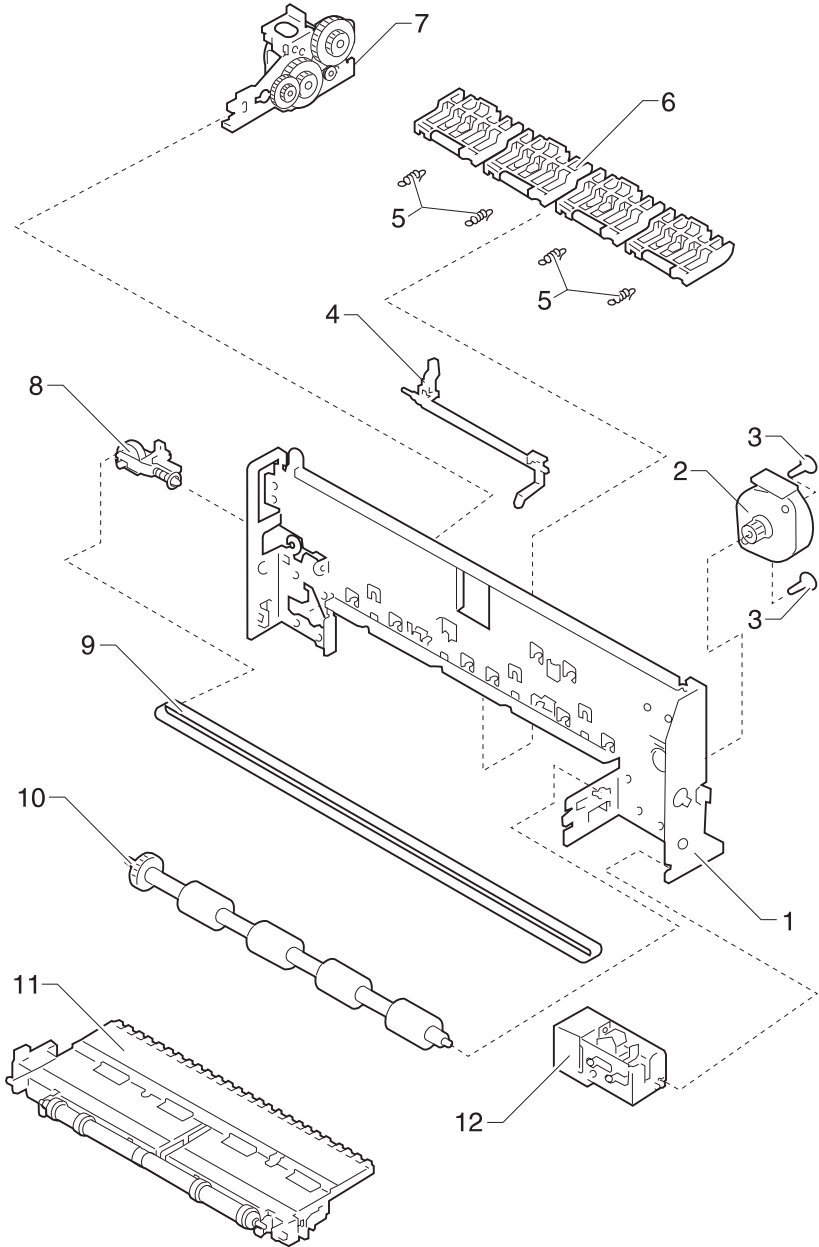
# Assembly 1: Covers



**4096-00X**

<b>Asm-Index</b>	<b>Part Number</b>	<b>Units</b>	<b>Description</b>
1 -1	11B5128	1	Cover, Access Asm, Star Wheels (002)
-1	11B5129	1	Cover, Access Asm, Star Wheels (001)
-1	17Z0177	1	Cover, Access Asm, Star Wheels (003)
-1	17Z0176	1	Cover, Access Asm, Star Wheels (004)
-2	11B5127	1	Cover, Front Asm & Button (001, 002)
-2	17Z0174	1	Cover, Front Asm & Button (003)
-2	17Z0175	1	Cover, Front Asm & Button (004)
-3	11B5125	1	Base Asm and Sheet Feed (001, 002)
-3	17Z0170	1	Base Asm and Sheet Feed (003)
-3	17Z0171	1	Base Asm and Sheet Feed (004)
NS	11B5111	1	Support, Banner Paper
NS	7349593	1	Replaceable Package B/M - Includes: (Carton, Cushion Set, Sealing Tape) (001, 002)
NS	7350132	1	Replaceable Package B/M - Includes: (Carton, Cushion Set, Sealing Tape) (003, 004)

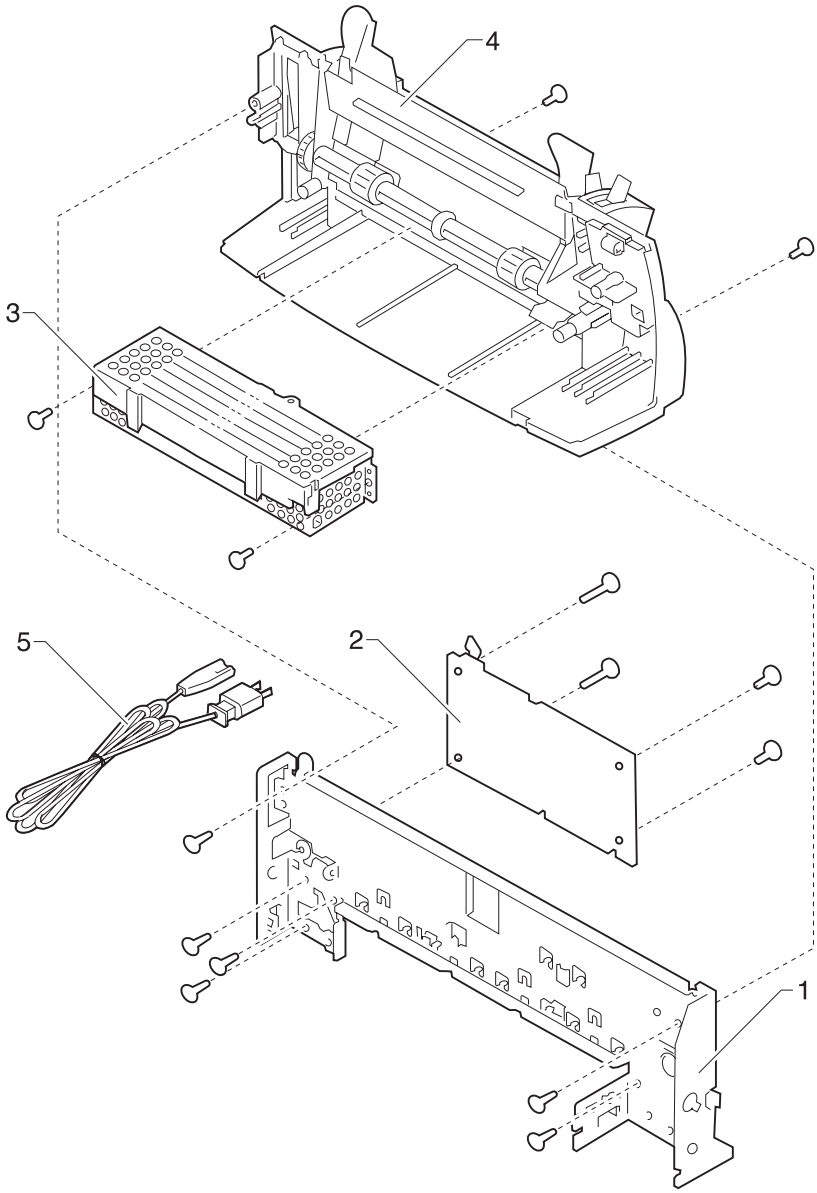
Assembly 2: Paper Feed / Carrier Transport / Maintenance



**4096-00X**

<b>Asm-Index</b>	<b>Part Number</b>	<b>Units</b>	<b>Description</b>
2 -1	11B5130	1	Frame, Carrier
-2	11B5142	1	Motor, Carrier Transport Assembly
-3	11B5144	1	Screw, (PP)
-4	11B5136	1	End-of-Form Flag and Spring
-5	11B5144	1	Spring, Small Feed Roll Asm, (PP)
-6	11B5135	1	Feed Roll Assembly, Small
-7	11B5137	1	Drive Train Assembly with Paper Feed Motor
-8	11B5144	1	Arm, Tensioner (PP)
-9	11B5144	1	Belt, Carrier (PP)
-10	11B5134	1	Feed Roll Assembly, Large with Gear
-11	11B5133	1	Frame, Mid Assembly
-12	11B5143	1	Maintenance Assembly
-NS	11B5144	6	Screw, (PP)

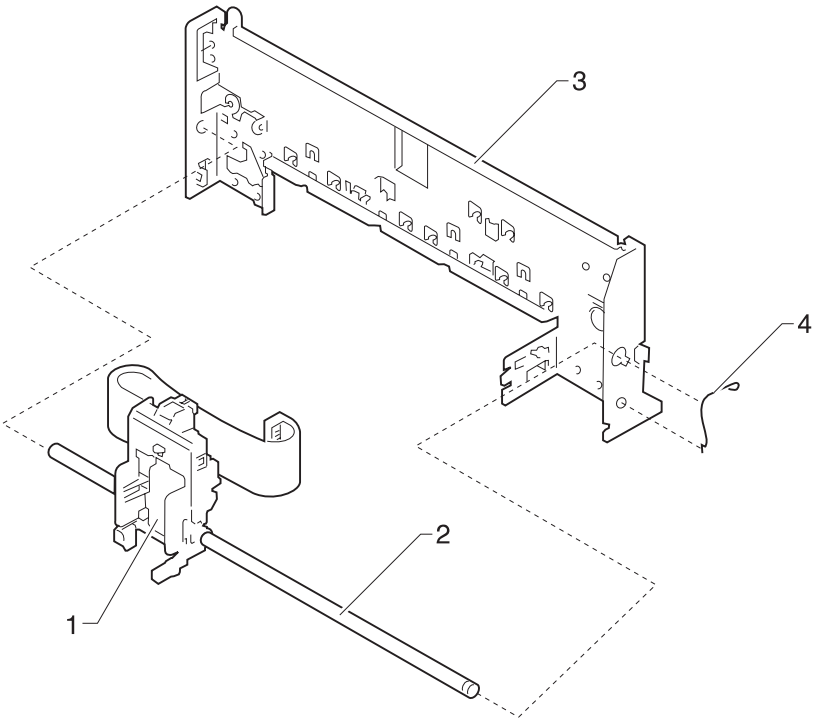
# Assembly 3: Electronics



**4096-00X**

<b>Asm-Index</b>	<b>Part Number</b>	<b>Units</b>	<b>Description</b>
3 -1	11B5130	1	Frame, Carrier
-2	11B5138	1	System Board with ROM (LV) (001, 002)
-2	11B6044	1	System Board with ROM (HV) (001, 002)
-2	17Z0180	1	System Board with ROM (LV & HV) (003, 004)
-3	11B5139	1	Power Supply: 110V
-3	11B5140	1	Power Supply: 220V
-4	11B5125	1	Base Asm and Sheet Feed (001, 002)
-5	11B5141	1	Power Cord, U.S.
	11B5624		Power Cord, Austria
	11B5622		Power Cord, Belgium
	11B5624		Power Cord, Brazil
	11B5624		Power Cord, Canada
	11B5622		Power Cord, Chile
	11B5622		Power Cord, Cyrillic
	11B5622		Power Cord, Denmark
	11B5622		Power Cord, East Turkey
	11B5622		Power Cord, Europe
	11B5622		Power Cord, Finland
	11B5622		Power Cord, France
	11B5622		Power Cord, Germany
	11B5622		Power Cord, Greece
	11B5623		Power Cord, Israel
	11B5622		Power Cord, Italy
	11B5141		Power Cord, Japan
	11B5622		Power Cord, Mexico
	11B5622		Power Cord, Netherlands
	11B5622		Power Cord, Norway
	11B5626		Power Cord, Peru
	11B5622		Power Cord, Portugal
	11B5625		Power Cord, South Africa
	11B5622		Power Cord, Spain
	11B5622		Power Cord, Sweden
	11B5621		Power Cord, UK, Ireland

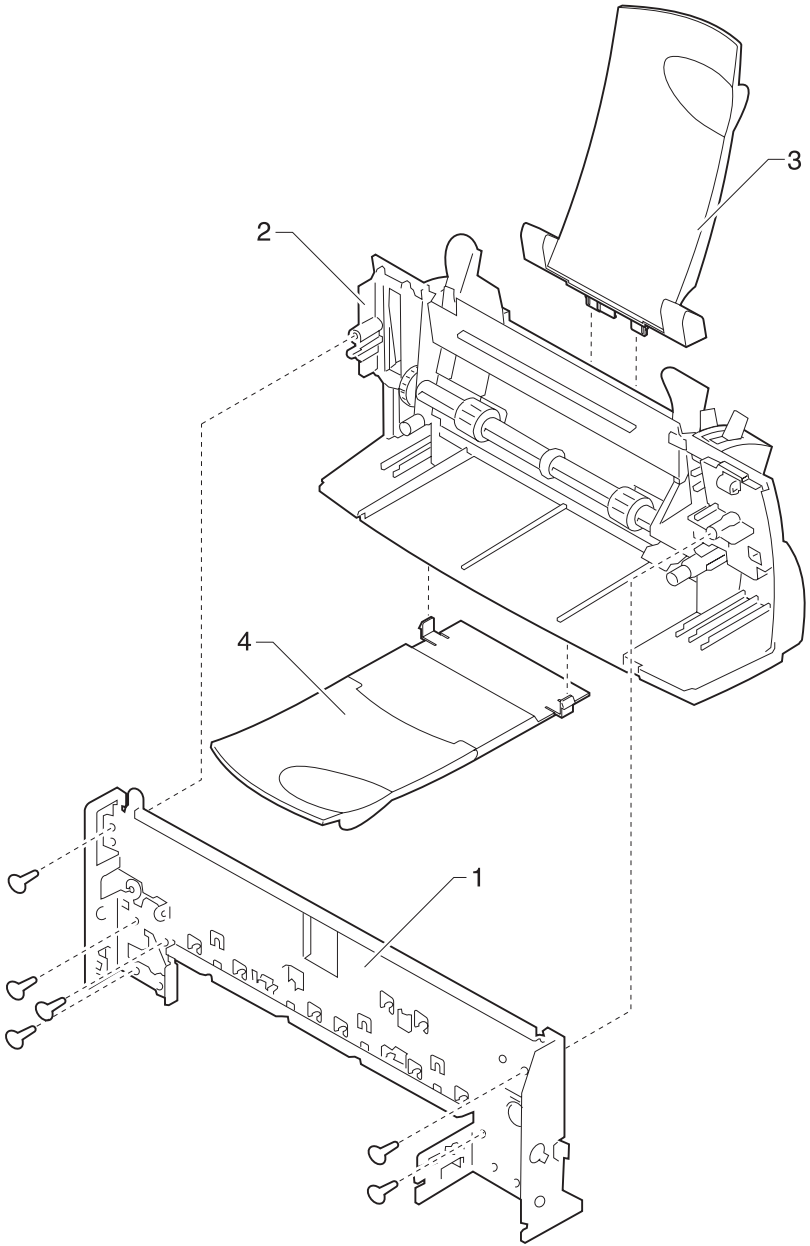
# Assembly 4: Carrier



**4096-00X**

<b>Asm-Index</b>	<b>Part Number</b>	<b>Units</b>	<b>Description</b>
4 -1	11B5131	1	Carrier Assembly, with Carrier Home Sensor
-2	11B5132	1	Rod, Carrier Guide
-3	11B5130	1	Frame, Carrier
-4	11B5144	1	Spring, Carrier Guide Rod (PP)

# Assembly 5: Sheet Feeder



**4096-00X**

<b>Asm-Index</b>	<b>Part Number</b>	<b>Units</b>	<b>Description</b>
5 -1	11B5130	1	Frame, Carrier
-2	11B5125	1	Base, Sheet Feeder Asm and Garage Assembly (001, 002)
-2	17Z0170	1	Base, Sheet Feeder Asm and Garage Assembly (003)
-2	17Z0171	1	Base, Sheet Feeder Asm and Garage Assembly (004)
-3	11B5126	1	Support, Upper Paper (001, 002)
-3	17Z0172	1	Support, Upper Paper (003)
-3	17Z0173	1	Support, Upper Paper (004)
-4	17Z0178	1	Tray, Exit (003)
-4	17Z0179	1	Tray, Exit (004)