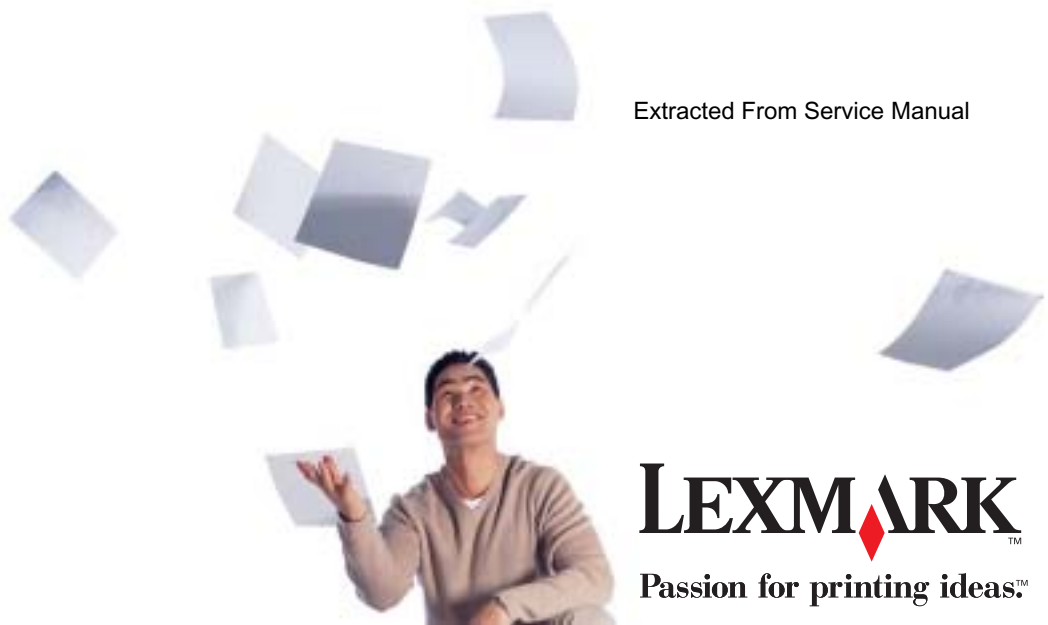


Parts Breakdown

Lexmark 3200 Color Jetprinter™

4097-00X

Extracted From Service Manual



LEXMARK™

Passion for printing ideas.™

First Edition (June, 1998)

The following paragraph does not apply to any country where such provisions are inconsistent with local law: LEXMARK INTERNATIONAL, INC. PROVIDES THIS PUBLICATION "AS IS" WITHOUT WARRANTY OF ANY KIND, EITHER EXPRESS OR IMPLIED, INCLUDING, BUT NOT LIMITED TO, THE IMPLIED WARRANTIES OF MERCHANTABILITY OR FITNESS FOR A PARTICULAR PURPOSE. Some states do not allow disclaimer of express or implied warranties in certain transactions, therefore, this statement may not apply to you.

This publication could include technical inaccuracies or typographical errors. Changes are periodically made to the information herein; these changes will be incorporated in later editions. Improvements or changes in the products or the programs described may be made at any time.

Comments may be addressed to Lexmark International, Inc., Department D22/035-3, 740 New Circle Road N.W., Lexington, Kentucky 40550, U.S.A. Lexmark may use or distribute any of the information you supply in any way it believes appropriate without incurring any obligation to you. You can purchase additional copies of publications related to this product by calling 1-800-553-9727. In other countries, contact your point of purchase.

Lexmark and Optra are trademarks of Lexmark International, Inc., registered in the United States and/or other countries.

Color Jetprinter is a trademark of Lexmark International, Inc.

Other trademarks are the property of their respective owners.

© Copyright Lexmark International, Inc. 1998.

All rights reserved.

UNITED STATES GOVERNMENT RESTRICTED RIGHTS

This software and documentation are provided with RESTRICTED RIGHTS. Use, duplication or disclosure by the Government is subject to restrictions as set forth in subparagraph (c)(1)(ii) of the Rights in Technical Data and Computer Software clause at DFARS 252.227-7013 and in applicable FAR provisions: Lexmark International, Inc., Lexington, KY 40550.

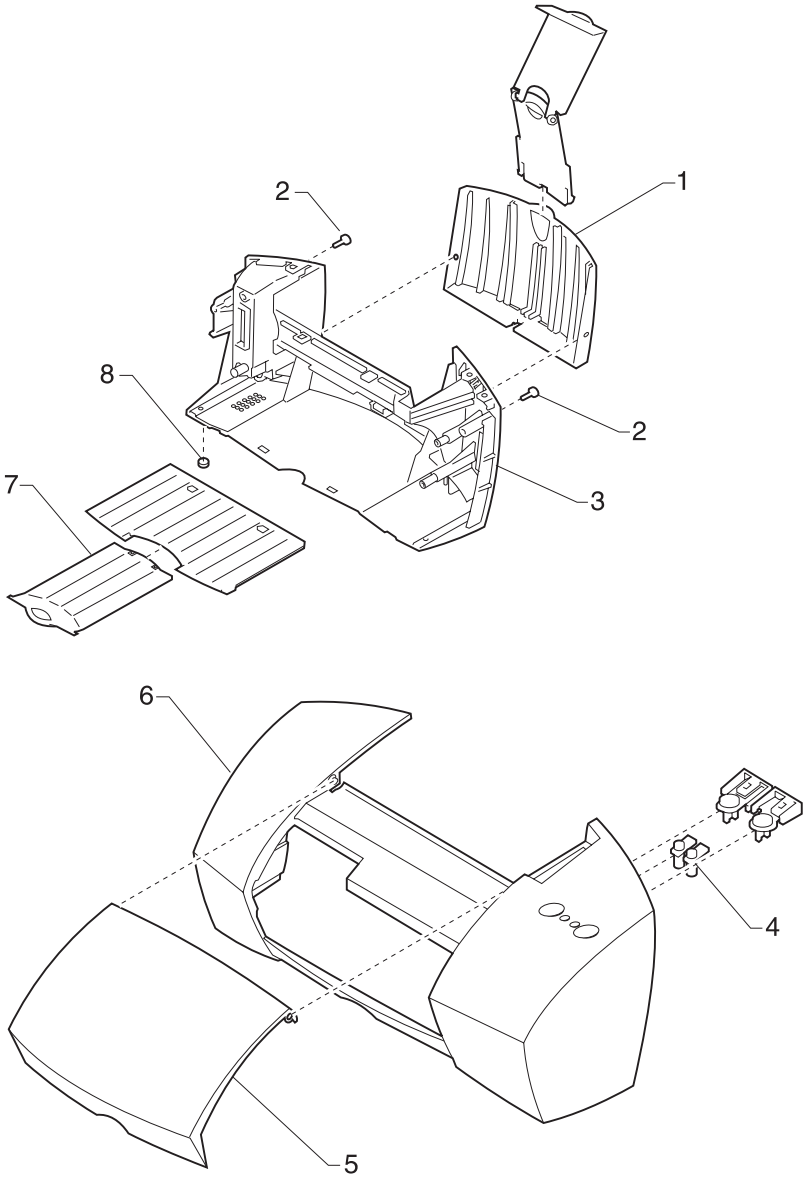
7. Parts Catalog

How to Use This Parts Catalog

- **SIMILAR ASSEMBLIES:** If two assemblies contain a majority of identical parts, they are broken down on the same list. Common parts are shown by one index number. Parts peculiar to one or the other of the assemblies are listed separately and identified by description.
- **NS:** (Not Shown) in the Asm-Index column indicates that the part is procurable but is not pictured in the illustration.
- **PP:** in the parts descriptions column indicates the part is available in the listed parts packet.

4097-00X

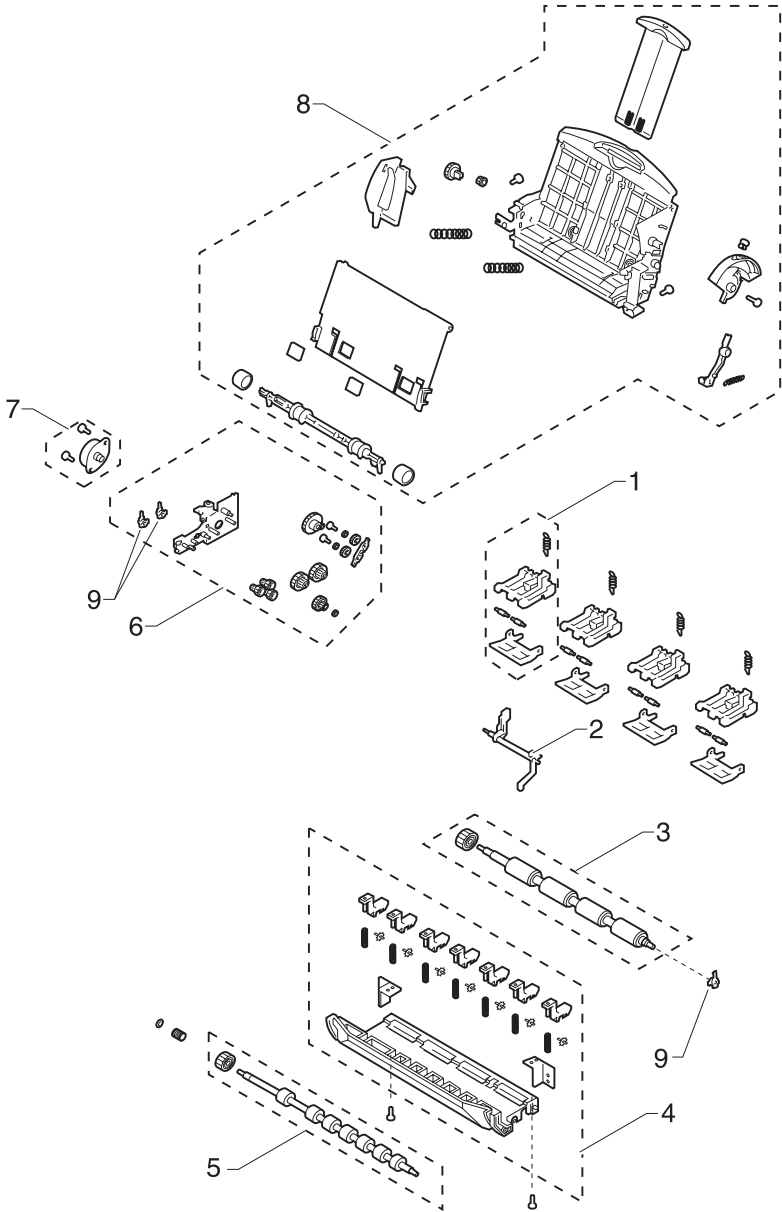
Assembly 1: Covers



4097-00X

Asm-Index	Part Number	Units	Description
1 -1	17D0561	1	Cover, Rear Asm (001)
1	17D0562	1	Cover, Rear Asm (002)
2	17D0590	2	Screws, (PP)
3	17D0550	1	Base Asm (001)
3	17D0551	1	Base Asm (002)
4	17D0560	1	Buttons and Lens Asm (Operator Panel)
5	17D0554	1	Cover, Access (001)
5	17D0555	1	Cover, Access (002)
6	17D0552	1	Cover, Front (001)
6	17D0553	1	Cover, Front (002)
7	17D0557	1	Tray, Exit Asm (001)
7	17D0558	1	Tray, Exit Asm (002)
8	17D0590	4	Feet, Machine (PP)
NS	7350160	1	Package, Plain B/M Includes: (Carton, Cushion Set, Sealing Tape)

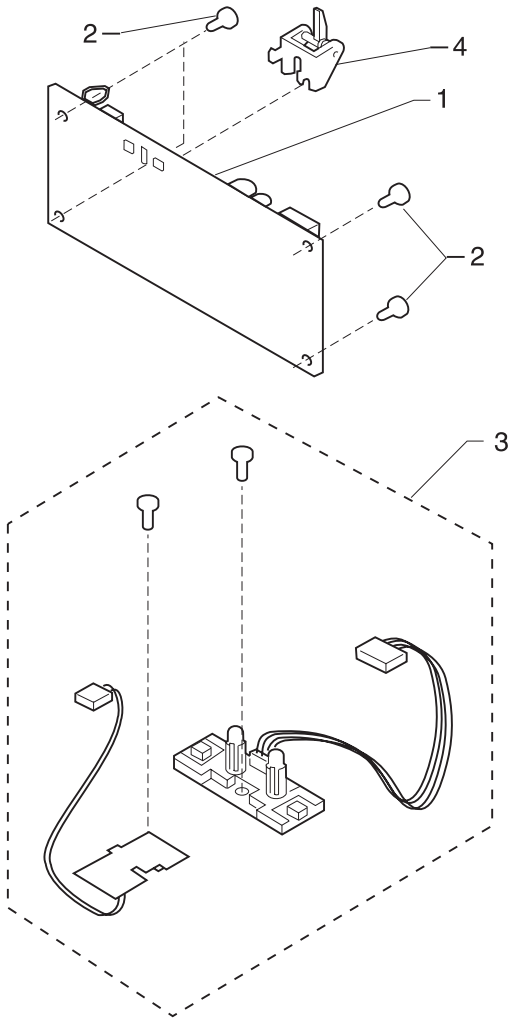
Assembly 2: Paper Feed / Carrier Transport



4097-00X

Asm-Index	Part Number	Units	Description
2 -1	17D0566	1	Roller, Small Feed Asm
2	17D0589	1	Lever, EOF Asm
3	17D0565	1	Roller, Large Feed with Gear Asm
4	17D0564	1	Roller, Star Asm / Mid Frame with Brackets
5	17D0569	1	Roller, Exit Asm with Gear
6	17D0568	1	Plate, Gear Asm without Motor
7	17D0567	1	Motor, Paper Feed Asm with Gear
8	17D0584	1	Sheet Feeder Asm (001)
8	17D0585	1	Sheet Feeder Asm (002)
9	17D0573	12	Bearings, Large Feed Roller

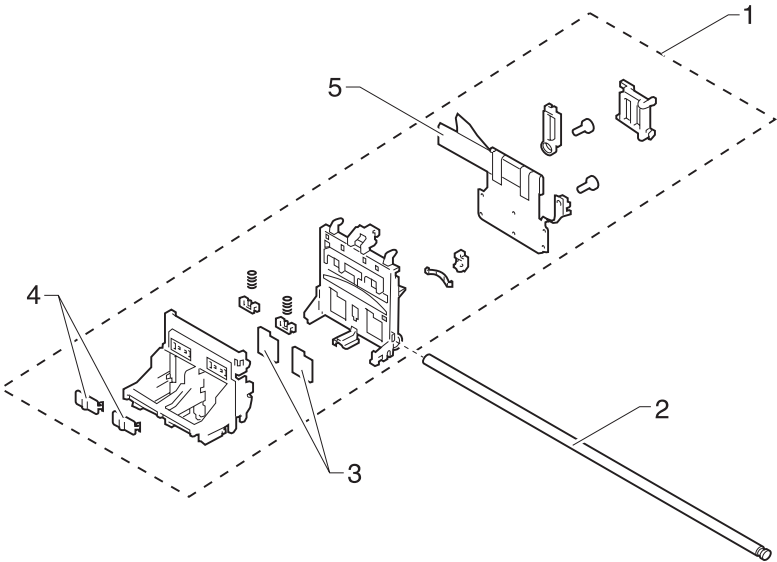
Assembly 3: Electronics



4097-00X

Asm-Index	Part Number	Units	Description
3 -1	17D0570	1	System Board
2	17D0590	4	Screws, (PP)
3	17D0559	1	Operator Panel / Power Connector
4	17D0574	1	Actuator Assembly
NS	17D0575	1	Power Supply, External (LV) 100 Japan
NS	17D0576	1	Power Supply, External (LV) 120
NS	17D0577	1	Power Supply, External (HV) 220

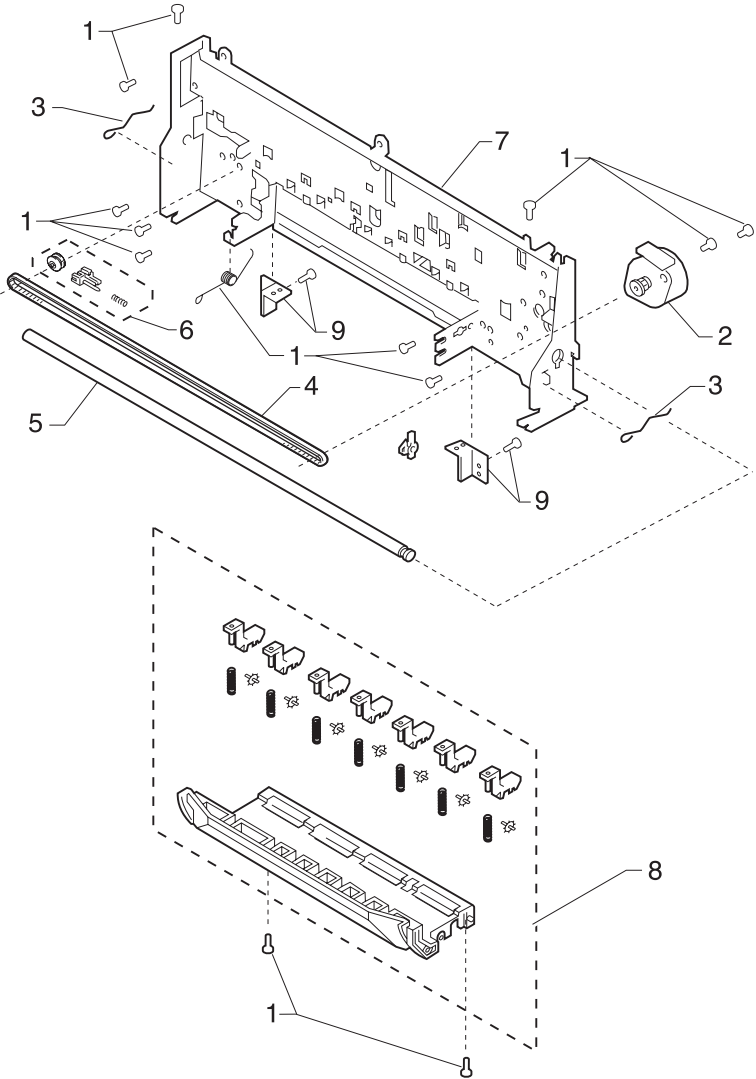
Assembly 4: Carrier



4097-00X

Asm- Index	Part Number	Units	Description
4 -1	17D0578	1	Carrier Assembly (Complete)
2	17D0580	1	Rod, Carrier Guide
3	17D0579	1	Printhead Rubber Backers
4	17D0581	1	Cartridge Interlock Keys
5	17D0572	1	Printhead / Home Sensor Cable

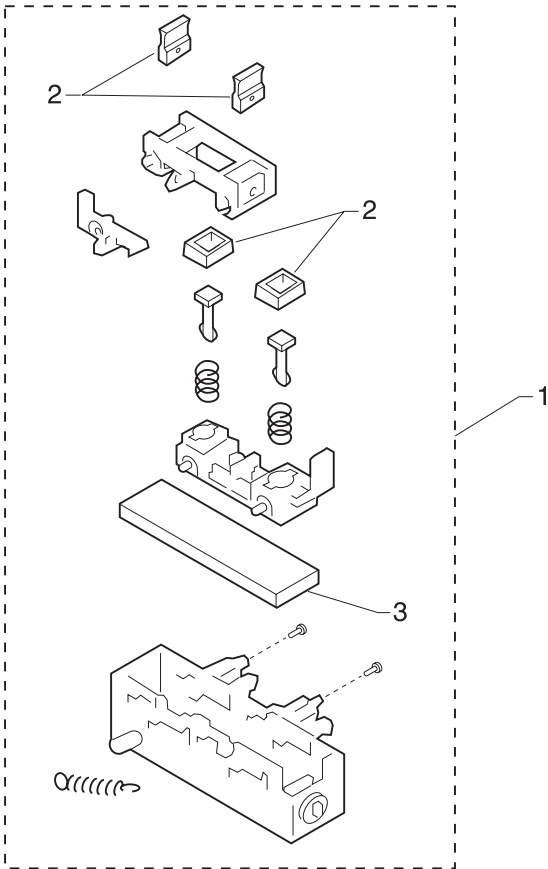
Assembly 5: Carrier Transport



4097-00X

Asm-Index	Part Number	Units	Description
5 -1	17D0590	11	Screws, (PP)
1	17D0590	1	Spring (PP)
2	17D0582	1	Motor, Carrier Transport with Gear
3	17D0590	2	Retainers, Carrier Guide Rod (PP)
4	17D0583	1	Belt, Carrier
5	17D0580	1	Rod, Carrier Guide
6	17D0588	1	Pulley, Idler Asm
7	17D0563	1	Frame, Carrier
8	17D0564	1	Roller, Star Asm / Mid Frame
9	17D0710	1	Accessory Packet II (Bracket Left & Right with Screws)

Assembly 6: Maintenance Station



4097-00X

Asm- Index	Part Number	Units	Description
7 -1	17D0586	1	Maintenance Station
2	17D0587	1	Wipers and Caps
3	17D0556	1	Gutter Pad