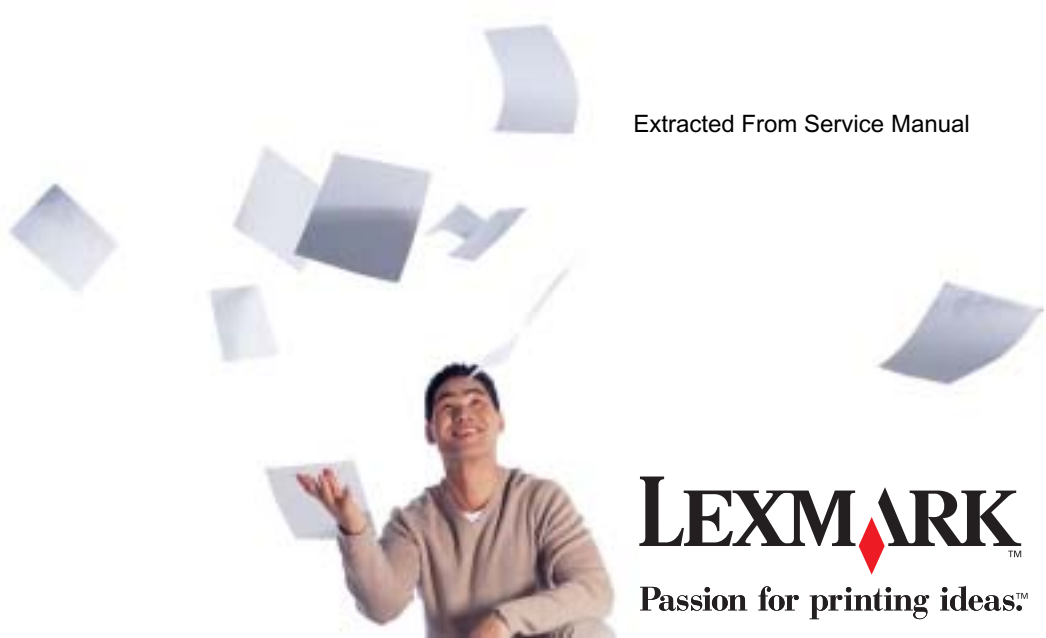


# Parts Breakdown

## Lexmark Z51 Color Jetprinter™

**4098-001**

Extracted From Service Manual



**LEXMARK™**  
Passion for printing ideas.™

**First Edition (March 1999)**

**The following paragraph does not apply to any country where such provisions are inconsistent with local law:** LEXMARK INTERNATIONAL, INC. PROVIDES THIS PUBLICATION "AS IS" WITHOUT WARRANTY OF ANY KIND, EITHER EXPRESS OR IMPLIED, INCLUDING, BUT NOT LIMITED TO, THE IMPLIED WARRANTIES OF MERCHANTABILITY OR FITNESS FOR A PARTICULAR PURPOSE. Some states do not allow disclaimer of express or implied warranties in certain transactions; therefore, this statement may not apply to you.

This publication could include technical inaccuracies or typographical errors. Changes are periodically made to the information herein; these changes will be incorporated in later editions. Improvements or changes in the products or the programs described may be made at any time.

A form for reader's comments is provided at the back of this publication. If the form has been removed, comments may be addressed to Lexmark International, Inc., Department D22/035-3, 740 West New Circle Road, Lexington, Kentucky 40550, U.S.A. Lexmark may use or distribute any of the information you supply in any way it believes appropriate without incurring any obligation to you. You can purchase additional copies of publications related to this product by calling 1-800-553-9727. In other countries, contact your point of purchase.

Lexmark and Lexmark with Diamond Design are trademarks of Lexmark International, Inc., registered in the United States and/or other countries.

Color Jetprinter is a trademark of Lexmark International, Inc.

Other trademarks are the property of their respective owners.

**© Copyright Lexmark International, Inc. 1999.**

**All rights reserved.**

**UNITED STATES GOVERNMENT RESTRICTED RIGHTS**

This software and documentation are provided with RESTRICTED RIGHTS. Use, duplication or disclosure by the Government is subject to restrictions as set forth in subparagraph (c)(1)(ii) of the Rights in Technical Data and Computer Software clause at DFARS 252.227-7013 and in applicable FAR provisions: Lexmark International, Inc., Lexington, KY 40550.

---

## 7. Parts Catalog

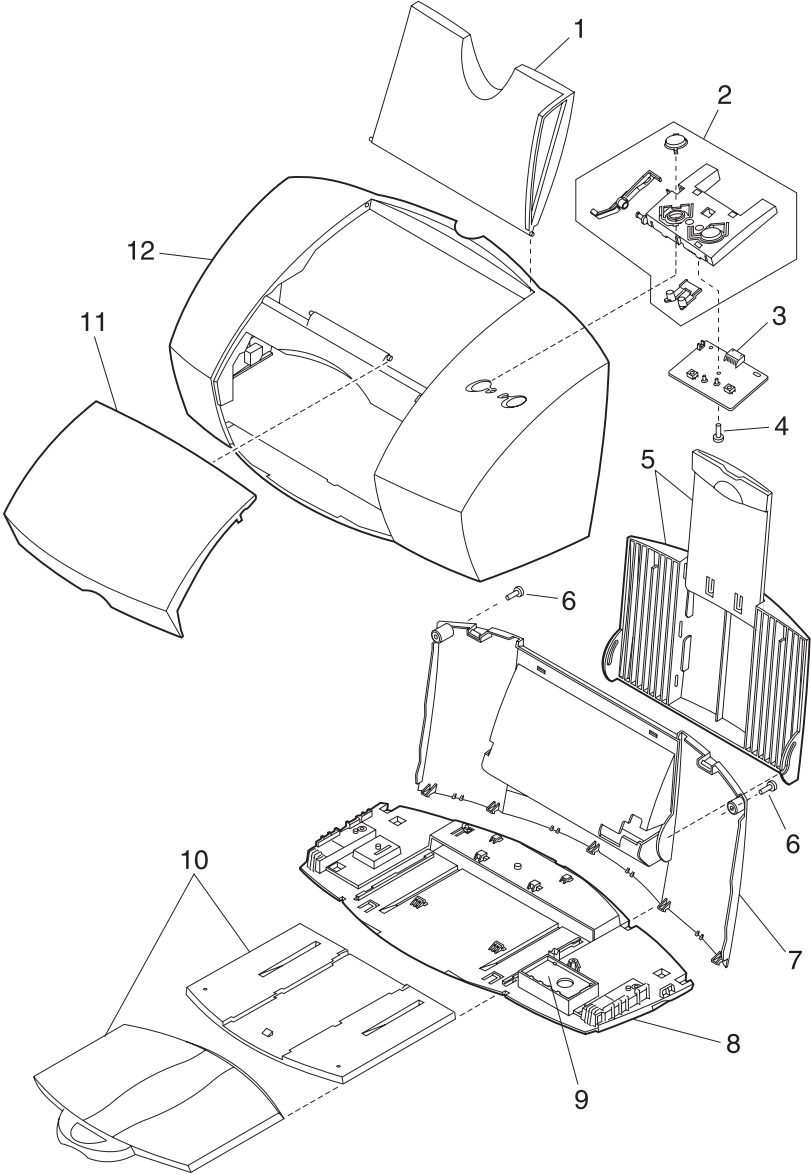
---

### How to Use This Parts Catalog

---

- **SIMILAR ASSEMBLIES:** If two assemblies contain a majority of identical parts, they are shown on the same list. Common parts are shown by one index number. Parts peculiar to one or the other of the assemblies are listed separately and identified by description.
- **NS:** (Not Shown) in the Asm-Index column indicates that the part is procurable but is not pictured in the illustration.
- **PP:** in the parts descriptions column indicates the part is available in the listed parts packet.

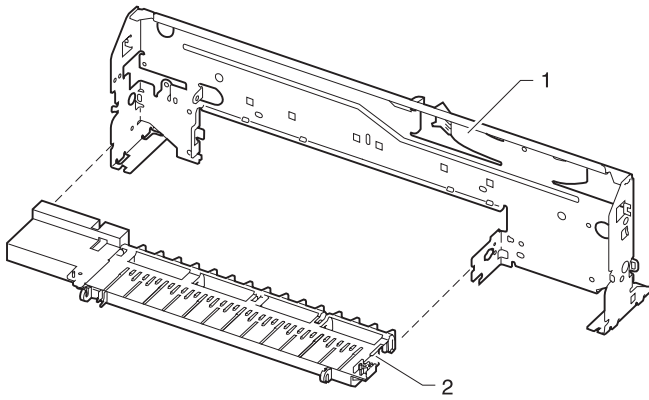
# Assembly 1: Covers



**Assembly 1: Covers**

| <b>Asm-Index</b> | <b>Part Number</b> | <b>Units</b> | <b>Description</b>   |
|------------------|--------------------|--------------|--|
| 1-1              | 14R0187            | 1            | Support, Paper   |
| 2                | 14R0156            | 1            | Buttons and Lens Asm   |
| 3                | 14R0171            | 1            | Card, Operator Panel   |
| 4                | 14R0192            | 1            | Screw, Operator Panel Card Mount (PP)                          |
| 5                | 14R0157            | 1            | Tray, Banner Paper   |
| 6                | 14R0192            | 2            | Screws, Rear Cover Mount (PP)                                  |
| 7                | 14R0151            | 1            | Cover, Rear  |
| 8                | 14R0145            | 1            | Base, Cover with four feet and Gutter Pad                      |
| 9                | 14R0153            | 1            | Pads, Gutter   |
| 10               | 14R0154            | 1            | Tray, Exit Asm   |
| 11               | 14R0147            | 1            | Door, Access and Need More Ink Label                           |
| 12               | 14R0149            | 1            | Cover, Front with Label  |
| NS               | 7350234            | 1            | Plain Package B/M includes: (Carton Cushion Set, Sealing Tape) |
| NS               | 14R0193            | 1            | Label, Need More Ink   |
| NS               | 14R0194            | 1            | Label, Cartridge Install                                       |

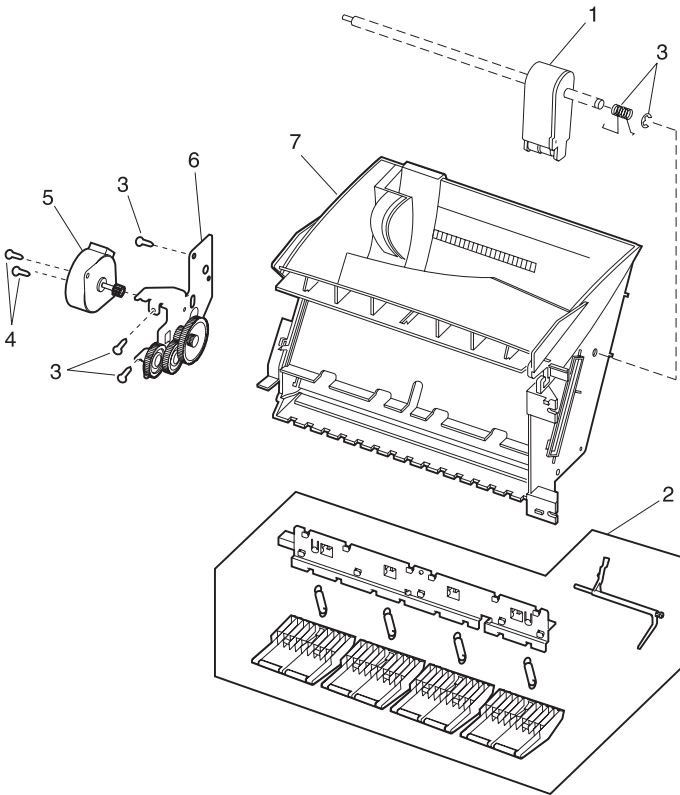
## Assembly 2: Frames



**Assembly 2: Frames**

| <b>Asm-Index</b> | <b>Part Number</b> | <b>Units</b> | <b>Description</b> |
|------------------|--------------------|--------------|--------------------|
| 2-1              | 14R0160            | 1            | Frame, Main        |
| 2                | 14R0159            | 1            | Frame, Mid         |

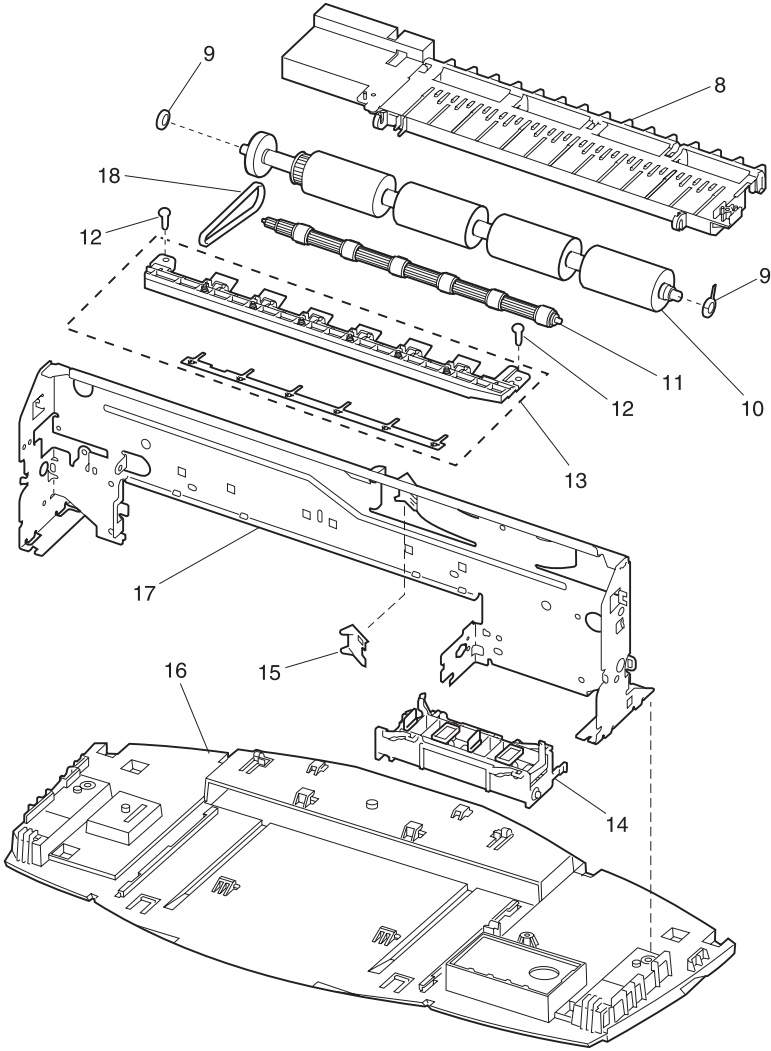
# Assembly 3: Paper Feed



**Assembly 3: Paper Feed**

| <b>Asm-Index</b> | <b>Part Number</b> | <b>Units</b> | <b>Description</b>                             |
|------------------|--------------------|--------------|--|
| 3-1              | 14R0189            | 1            | Auto Compensator Assembly                      |
| 2                | 14R0161            | 1            | Small Feed Roller Asm w/Holder & Flag          |
| 3                | 14R0192            | 1            | Screws, Gear Plate Asm Mount (PP)              |
| 3                | 14R0192            | 1            | Spring and C-Clip, Auto Compensator Shaft (PP) |
| 4                | 14R0192            | 1            | Screws, Paper Feed Motor Mount (PP)            |
| 5                | 14R0164            | 1            | Paper Feed Motor Asm with Gear                 |
| 6                | 14R0165            | 1            | Gear Plate Asm without Motor                   |
| 7                | 14R0185            | 1            | ASF Asm without Auto Compensator               |

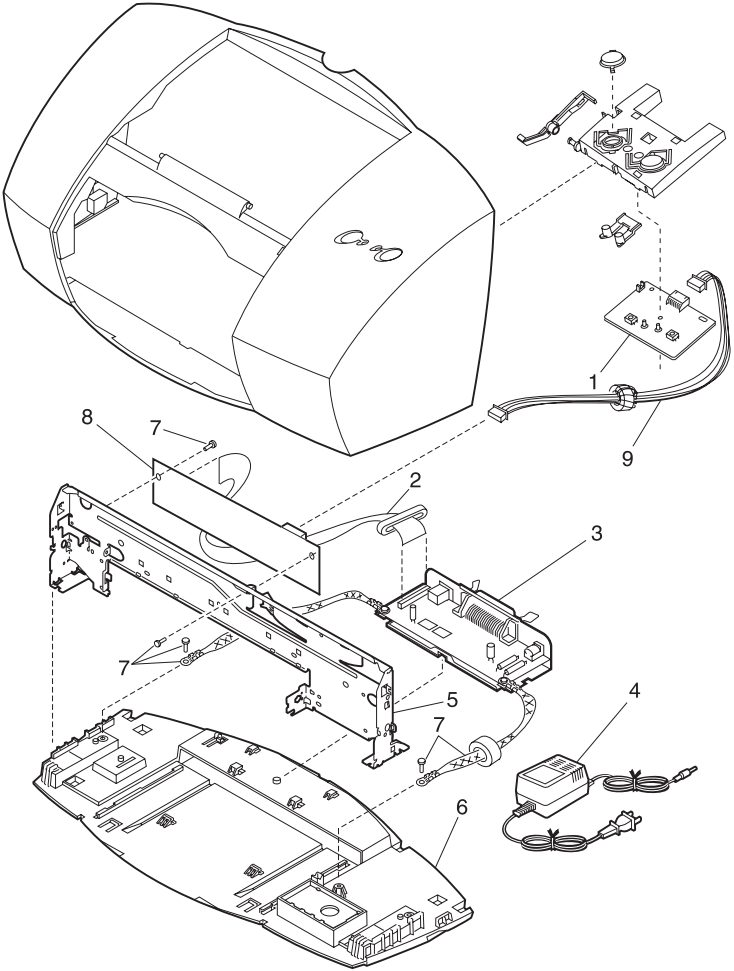
# Assembly 3 (cont.): Paper Feed



**Assembly 3 (cont.): Paper Feed**

| <b>Asm-Index</b> | <b>Part Number</b> | <b>Units</b> | <b>Description</b>                        |
|------------------|--------------------|--------------|---|
| 3-8              | 14R0159            | 1            | Frame, Mid                                |
| 9                | 14R0192            | 2            | Bushing, Large Feed Roll (PP)             |
| 10               | 14R0163            | 1            | Large Feed Roller Asm w/Gear & Pulley     |
| 11               | 14R0166            | 1            | Exit Roller Asm                           |
| 12               | 14R0192            | 2            | Screws, Star Roller Mount (PP)            |
| 13               | 14R0162            | 1            | Star Roller Crossbar Asm                  |
| 14               | 14R0190            | 1            | Maintenance Station Asm                   |
| 15               | 14R0192            | 1            | Holder, Printhead Cable Guide Clip (PP)   |
| 16               | 14R0145            | 1            | Base, Cover with four feet and Gutter Pad |
| 17               | 14R0160            | 1            | Frame, Main                               |
| 18               | 14R0167            | 1            | Exit Drive Belt                           |

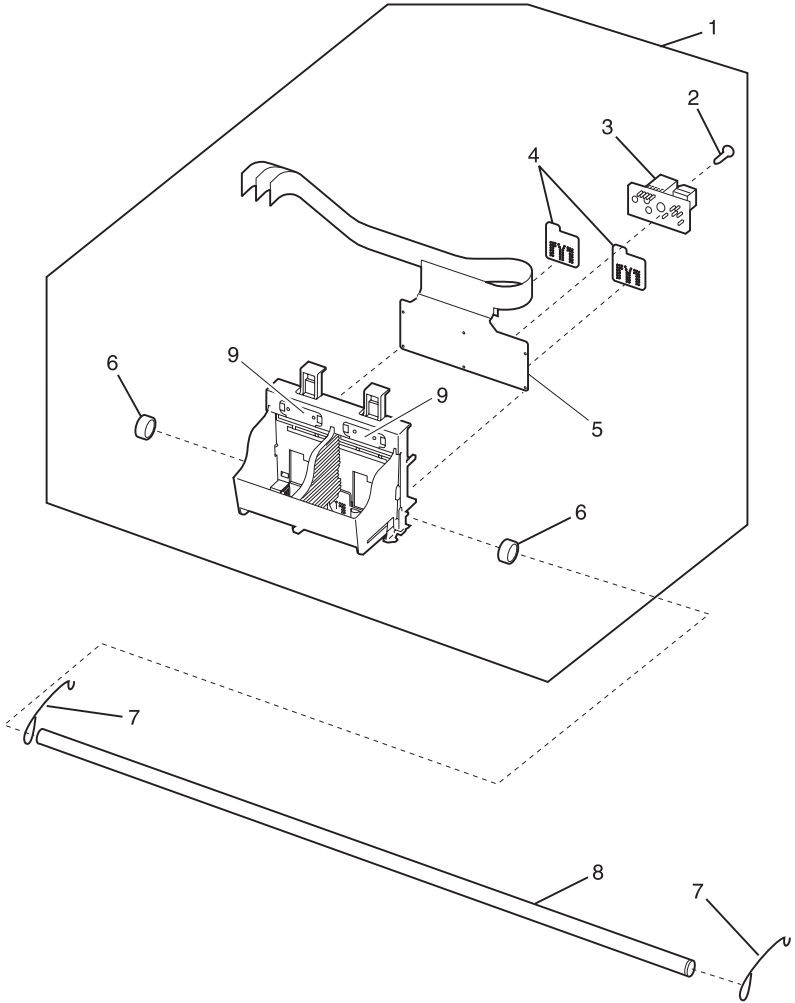
# Assembly 4: Electronics



**Assembly 4: Electronics**

| <b>Asm-Index</b> | <b>Part Number</b> | <b>Units</b> | <b>Description</b>                           |
|------------------|--------------------|--------------|--|
| 4-1              | 14R0171            | 1            | Card, Operator Panel                         |
| 2                | 14R0170            | 1            | Cable, System Board                          |
| 3                | 14R0169            | 1            | Board, Power / Parallel / USB                |
| 4                | 12G1812            | 1            | Power Supply, External (LV) 100 V (Japan)    |
| 4                | 12G1813            | 1            | Power Supply, External (LV) 120 V (U.S.A.)   |
| 4                | 12G1814            | 1            | Power Supply, External (HV) 220 V            |
| 5                | 14R0160            | 1            | Frame, Main                                  |
| 6                | 14R0145            | 1            | Base, Cover with four feet & gutter pad      |
| 7                | 14R0192            | 1            | Screws, System Board Mount (PP)              |
| 7                | 14R0192            | 1            | Ground Cables, Power/Parallel/USB Board (PP) |
| 8                | 14R0168            | 1            | System Board                                 |
| 9                | 14R0195            | 1            | Cable with/Torroid, Operator Panel           |
| NS               | 11B6073            | 1            | Power Cable (United Kingdom)                 |
| NS               | 11B6074            | 1            | Power Cable (Europe)                         |
| NS               | 11B6075            | 1            | Power Cable (Israel)                         |
| NS               | 11B6076            | 1            | Power Cable (Australia /New Zealand)         |
| NS               | 11B6077            | 1            | Power Cable (South Africa)                   |

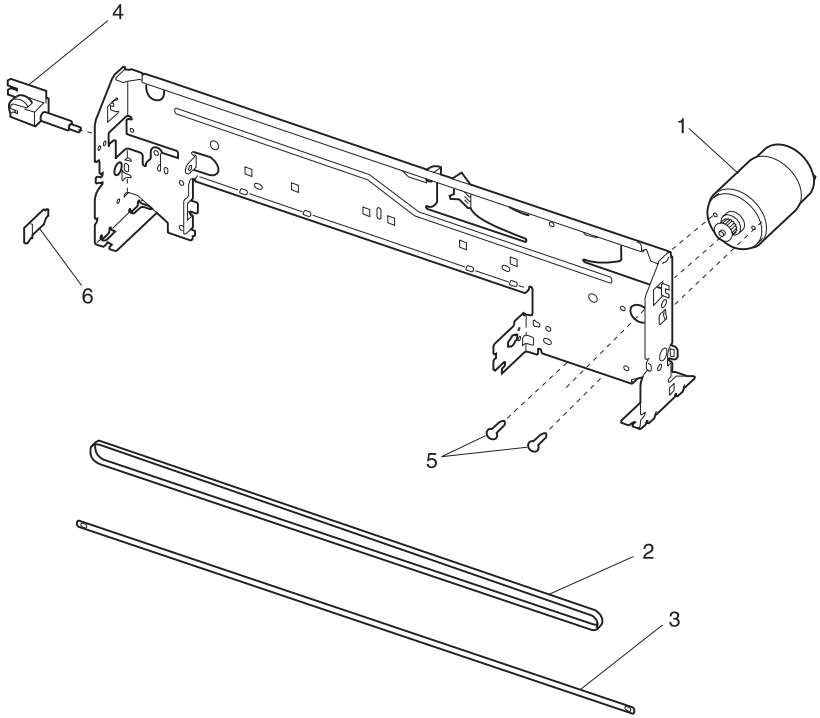
# Assembly 5: Carrier



**Assembly 5: Carrier**

| <b>Asm-Index</b> | <b>Part Number</b> | <b>Units</b> | <b>Description</b>                       |
|------------------|--------------------|--------------|--|
| 5-1              | 14R0175            | 1            | Printhead Carrier Asm (complete)         |
| 2                | 14R0192            | 1            | Screw, Encoder Card Mount (PP)           |
| 3                | 14R0179            | 1            | Encoder Card Asm with Temperature Sensor |
| 4                | 17A0124            | 2            | Backer, Printhead Rubber                 |
| 5                | 14R0176            | 1            | Cable, Printhead                         |
| 6                | 14R0192            | 2            | Bearing, Carrier (PP)                    |
| 7                | 14R0192            | 2            | Retainers, Shaft (PP)                    |
| 8                | 17A0125            | 1            | Shaft, Carrier                           |
| 9                | 14R0180            | 2            | Cartridge Interlock Keys B/M             |

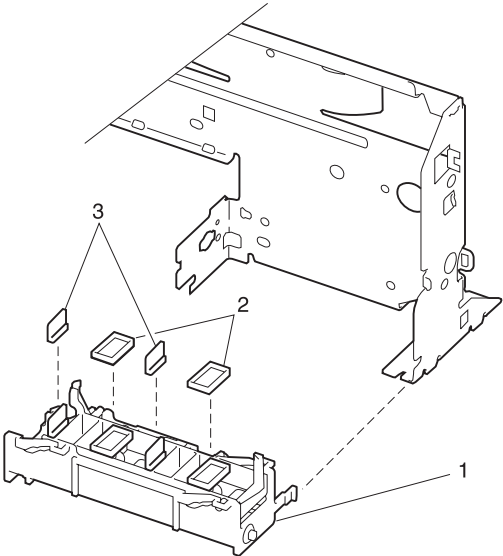
## Assembly 6: Carrier Transport



**Assembly 6: Carrier Transport**

| <b>Asm-Index</b> | <b>Part Number</b> | <b>Units</b> | <b>Description</b>                     |
|------------------|--------------------|--------------|--|
| 6-1              | 14R0181            | 1            | Carrier Transport Motor Asm and Pulley |
| 2                | 14R0182            | 1            | Belt, Carrier                          |
| 3                | 14R0183            | 1            | Encoder Strip                          |
| 4                | 14R0184            | 1            | Pulley, Idler Tension                  |
| 5                | 14R0192            | 2            | Screws, Carrier Transport Motor (PP)   |
| 6                | 14R0192            | 1            | Retainer, Encoder Strip (PP)           |

# Assembly 7: Maintenance Station



**Assembly 7: Maintenance Station**

| <b>Asm-Index</b> | <b>Part Number</b> | <b>Units</b> | <b>Description</b>       |
|------------------|--------------------|--------------|--------------------------|
| 7-1              | 14R0190            | 1            | Maintenance Station Asm  |
| 2                | 14R0191            | 1            | Caps, Maintenance (PP)   |
| 3                | 14R0191            | 1            | Wipers, Maintenance (PP) |