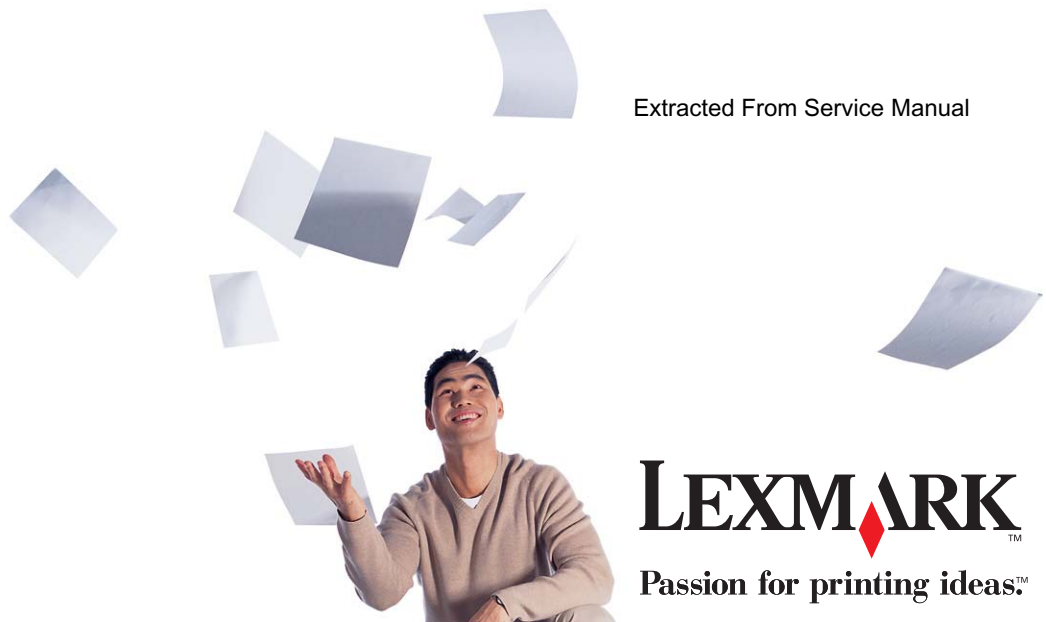


Parts Breakdown

Lexmark W812

4022-XXX

Extracted From Service Manual



LEXMARK
Passion for printing ideas.™

Edition: October 2002

The following paragraph does not apply to any country where such provisions are inconsistent with local law:
LEXMARK INTERNATIONAL, INC. PROVIDES THIS PUBLICATION "AS IS" WITHOUT WARRANTY OF ANY KIND, EITHER EXPRESS OR IMPLIED, INCLUDING, BUT NOT LIMITED TO, THE IMPLIED WARRANTIES OF MERCHANTABILITY OR FITNESS FOR A PARTICULAR PURPOSE. Some states do not allow disclaimer of express or implied warranties in certain transactions; therefore, this statement may not apply to you.

This publication could include technical inaccuracies or typographical errors. Changes are periodically made to the information herein; these changes will be incorporated in later editions. Improvements or changes in the products or the programs described may be made at any time.

Comments may be addressed to Lexmark International, Inc., Department D22A/032-2, 740 West New Circle Road, Lexington, Kentucky 40550, U.S.A or e-mail at ServiceInfoAndTraining@Lexmark.com. Lexmark may use or distribute any of the information you supply in any way it believes appropriate without incurring any obligation to you. You can purchase additional copies of publications related to this product by calling 1-800-553-9727. In other countries, contact your point of purchase.

Lexmark Lexmark with diamond design, and MarkNet are trademarks of Lexmark International, Inc., registered in the United States and/or other countries. Optra Forms is a trademark of Lexmark International, Inc.

PostScript is a registered trademark of Adobe Systems Incorporated.

Other trademarks are the property of their respective owners.

**© Copyright Lexmark International, Inc. 2002.
All rights reserved.**

UNITED STATES GOVERNMENT RESTRICTED RIGHTS

This software and documentation are provided with RESTRICTED RIGHTS. Use, duplication or disclosure by the Government is subject to restrictions as set forth in subparagraph (c)(1)(ii) of the Rights in Technical Data and Computer Software clause at DFARS 252.227-7013 and in applicable FAR provisions: Lexmark International, Inc., Lexington, KY 40550. U.S.A.

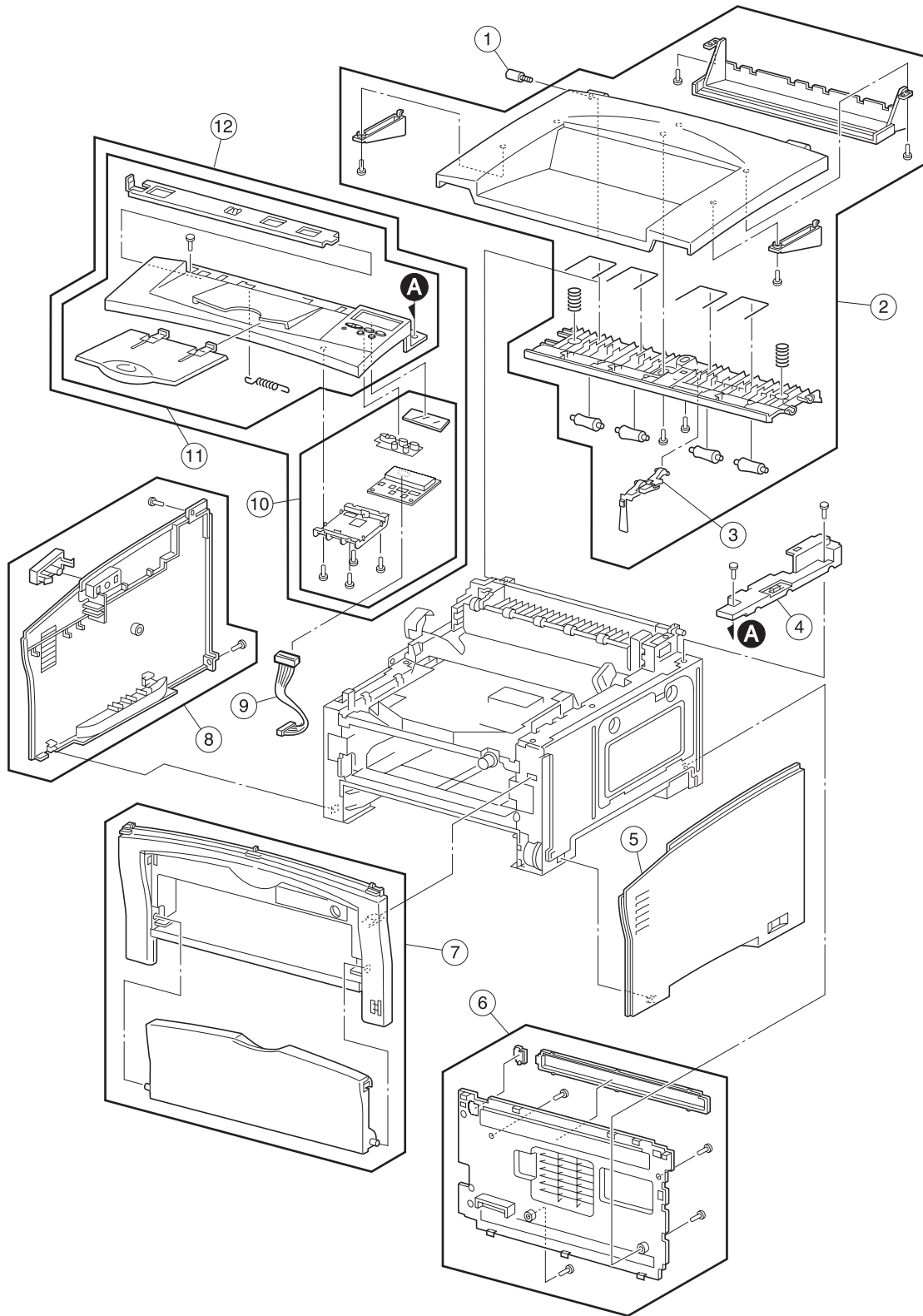
U.S.A. P/N 12G9161

7. Parts Catalog

How to Use This Parts Catalog

- **SIMILAR ASSEMBLIES:** If two assemblies contain a majority of identical parts, they are shown on the same list. Common parts are shown by one index number. Parts peculiar to one or the other of the assemblies are listed separately and identified by description.
- **AR:** (As Required) in the Units column indicates that the quantity is not the same for all machines.
- **CC:** (Color Code) in the Description column indicates the part is identified by a color marking on the part.
- **NS:** (Not Shown) in the Asm-Index column indicates that the part is procurable but is not pictured in the illustration.
- **PP:** (Parts Packet) in the Description column indicates the part is contained in a parts packet.

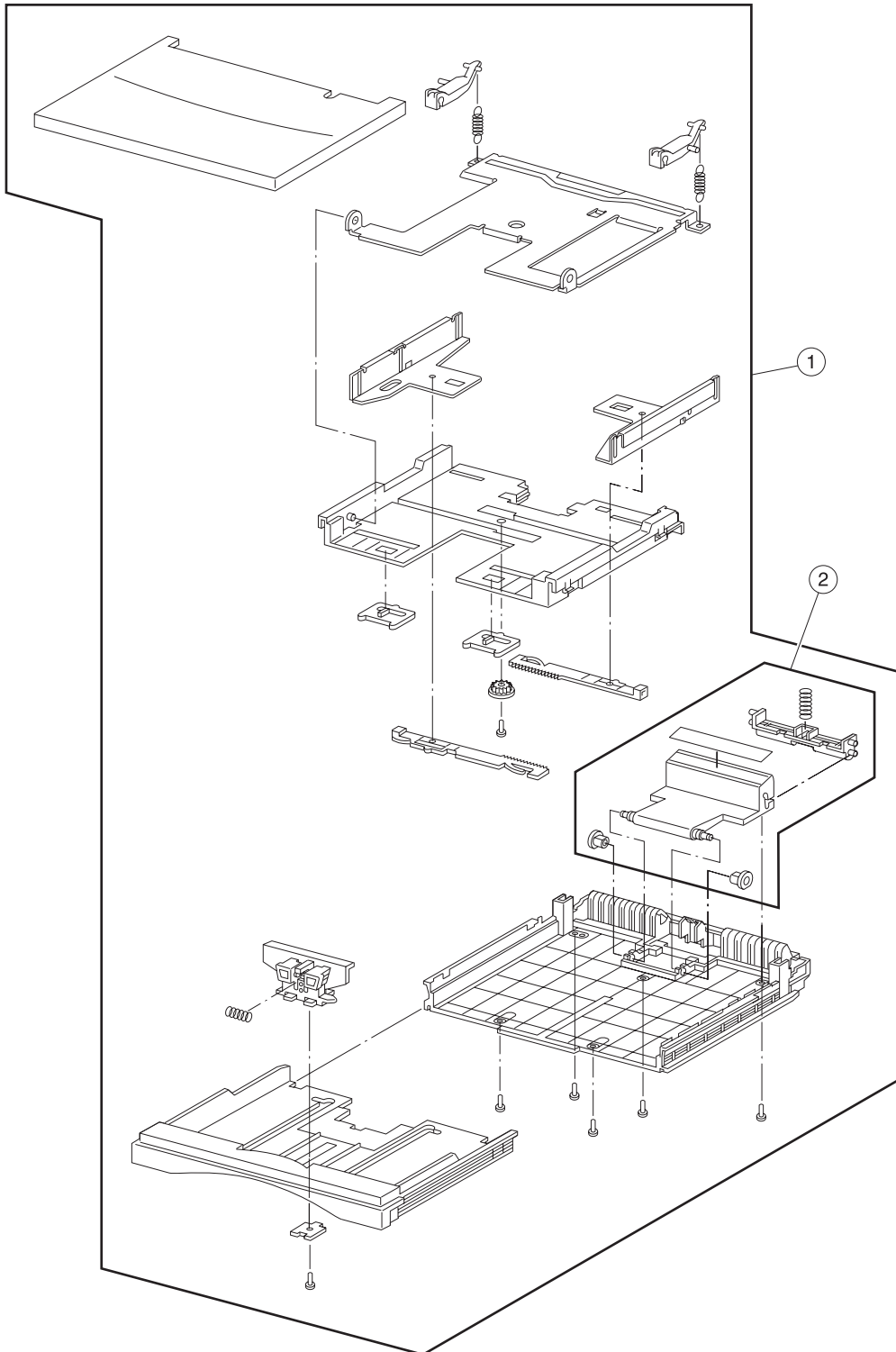
Assembly 1: Covers



Assembly 1: Covers

Asm-Index	Part Number	Units	Description
1-1	56P0956	1	Screw, Shoulder
2	56P0822	1	Cover Assembly, Top
3	56P0958	1	Kit Assembly, Bin Full Sensor
4	56P0823	1	Cover, Upper Card Cage
5	56P0825	1	Cover, Right
6	56P0834	1	Cover Assembly, Rear
7	56P0826	1	Cover Assembly, Front
8	56P0827	1	Cover Assembly, Left
9	56P0833	1	Cable, Operator Panel
10	56P0957	1	Panel Assembly, Operator, 120 V/220 V
10	56P0967	1	Panel Assembly, 100V
11	56P0828	1	Cover Assembly, Operator Panel
12	56P0959	1	Cover Assembly, Operator Panel with Card Assembly, 120 V/220 V
12	56P0966	1	Cover Assembly, Operator Panel with Card Assembly, 100 V

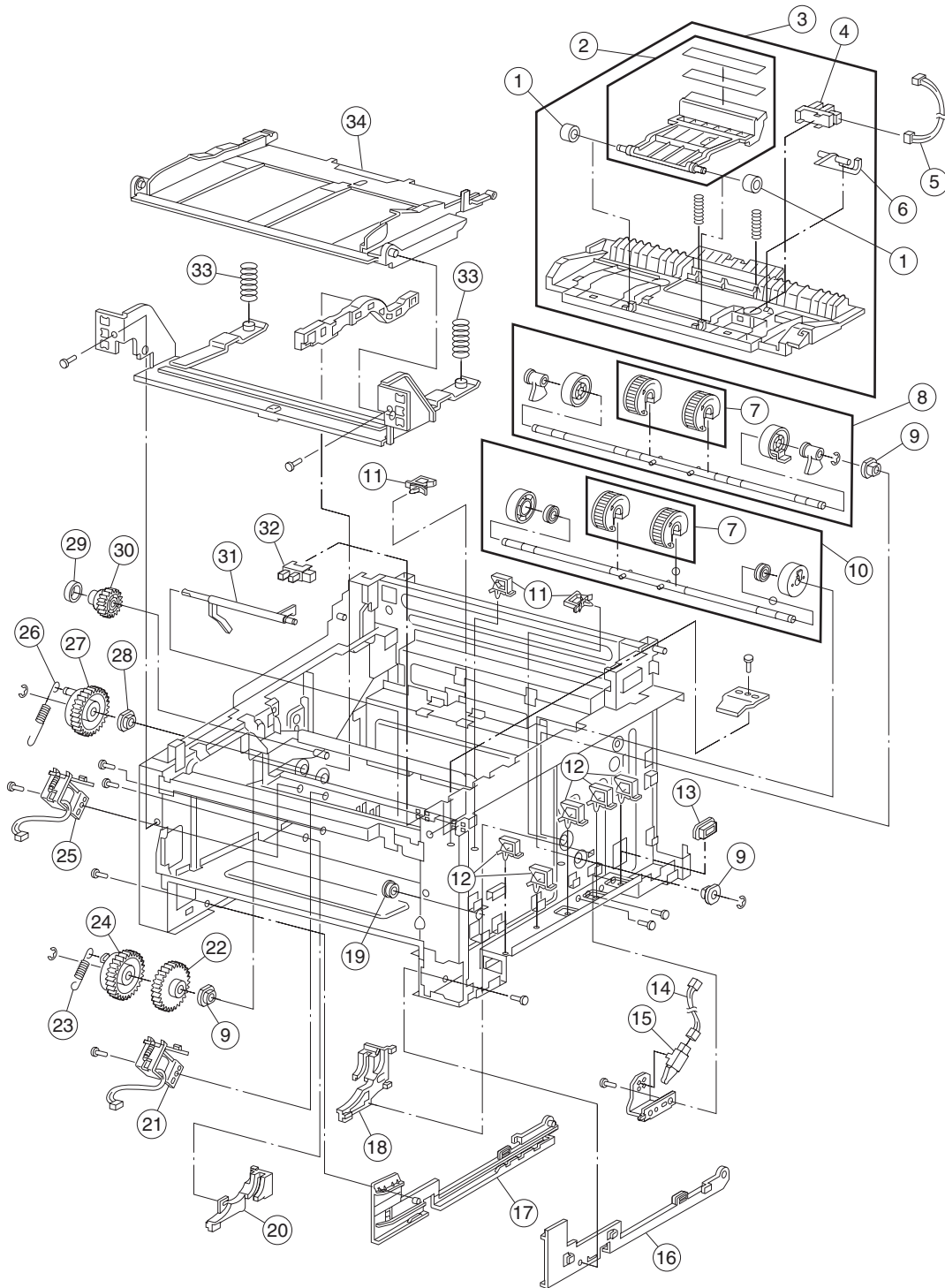
Assembly 2: Standard 250 Sheet Paper Tray



Assembly 2: Standard 250-Sheet Paper Tray

Asm-Index	Part Number	Units	Description
2-1	56P0835	1	Tray Assembly, 250-Sheet Paper
2	56P0836	1	Pad Assembly, 250-Sheet Separator

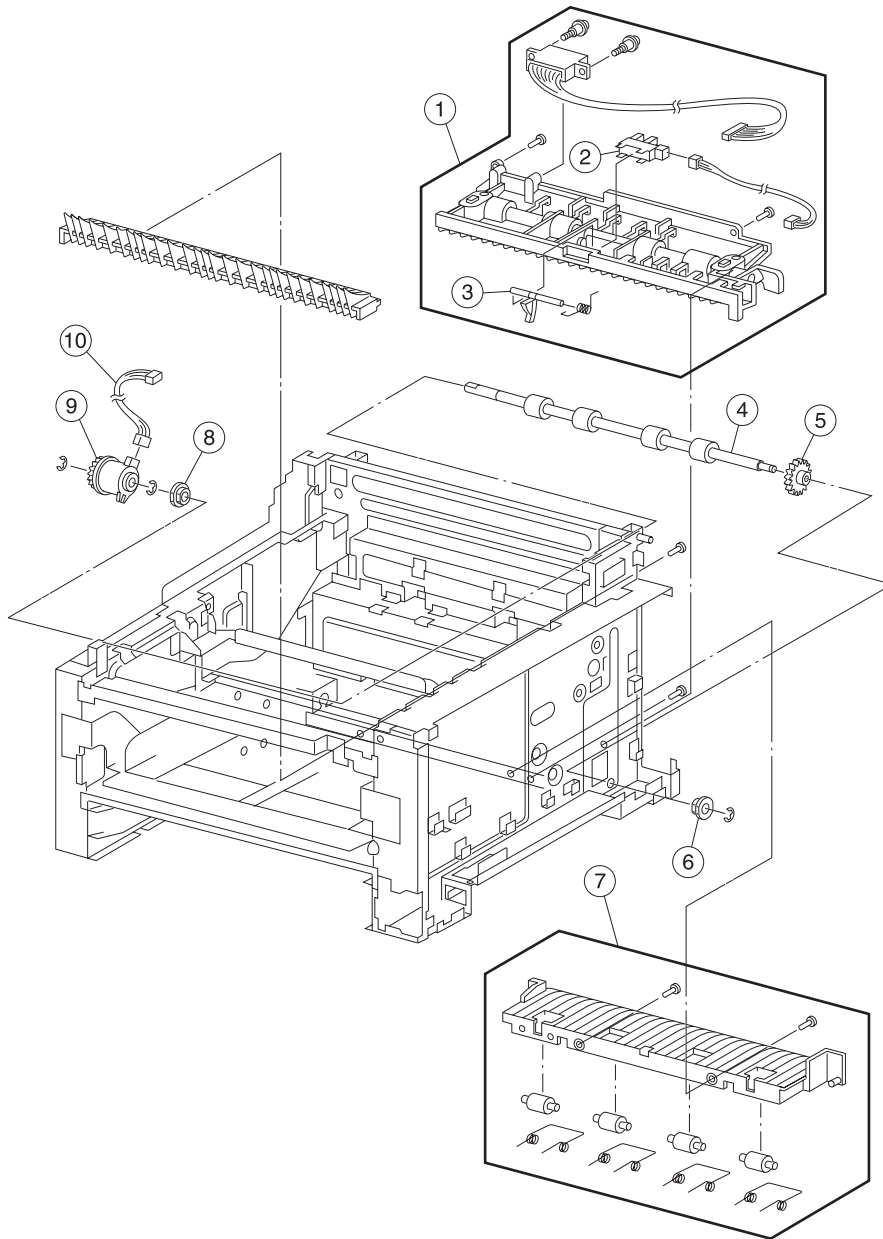
Assembly 3: Paper Pick/Feed



Assembly 3: Paper Pick/Feed

Asm-Index	Part Number	Units	Description
3-1	56P0867	2	Bearing, MPF Separator Pad
2	56P0838	1	Pad Assembly, MPF Separator
3	56P0837	1	Feed Assembly, Input Paper
4	56P0802	1	Sensor, Photo (Tray 1 Empty)
5	56P0840	1	Cable, Engine (P12) to Tray 1 Empty Sensor
6	56P0839	1	Flag, Tray 1 Empty
7	56P0800	2	Kit, Pick Roll (contains 2)
8	56P0841	1	Roll Assembly, MPF Pick
9	56P0801	3	Bearing, Right Feed Roll/Right Feeder
10	56P0847	1	Roll Assembly, Tray 1 Pick
11	56P0863	3	Clamp, Cable
12	56P0864	5	Clamp, Cable
13	56P0865	1	Grommet, Cable
14	56P0856	1	Cable, Tray 1 Present Switch
15	56P0804	1	Switch, Tray Present
16	56P0857	1	Guide, Tray 1 Right
17	56P0858	1	Guide, Tray 1 Left
18	56P0859	1	Holder, Tray 1 Right
19	56P0866	1	Grommet, Cable
20	56P0860	1	Holder, Tray 1 Left
21	56P0851	1	Solenoid, Tray 1
22	56P0848	1	Gear, 40
23	56P0850	1	Spring, Pick Up Tray 1
24	56P0849	1	Gear, Pick Up Tray 1
25	56P0846	1	Solenoid, MPF
26	56P0845	1	Spring, Pick Up MPF
27	56P0844	1	Gear, Pick Up MPF
28	56P0803	1	Bearing, Left Feed Roll
29	56P0843	1	Damper, Gear Vibration
30	56P0842	1	Gear, 23 MPF
31	56P0854	1	Flag, MPF Empty
32	56P0802	1	Sensor, Photo (MPF Empty)
33	56P0862	2	Spring, MPF Tray
34	56P0861	1	Tray Assembly, MPF

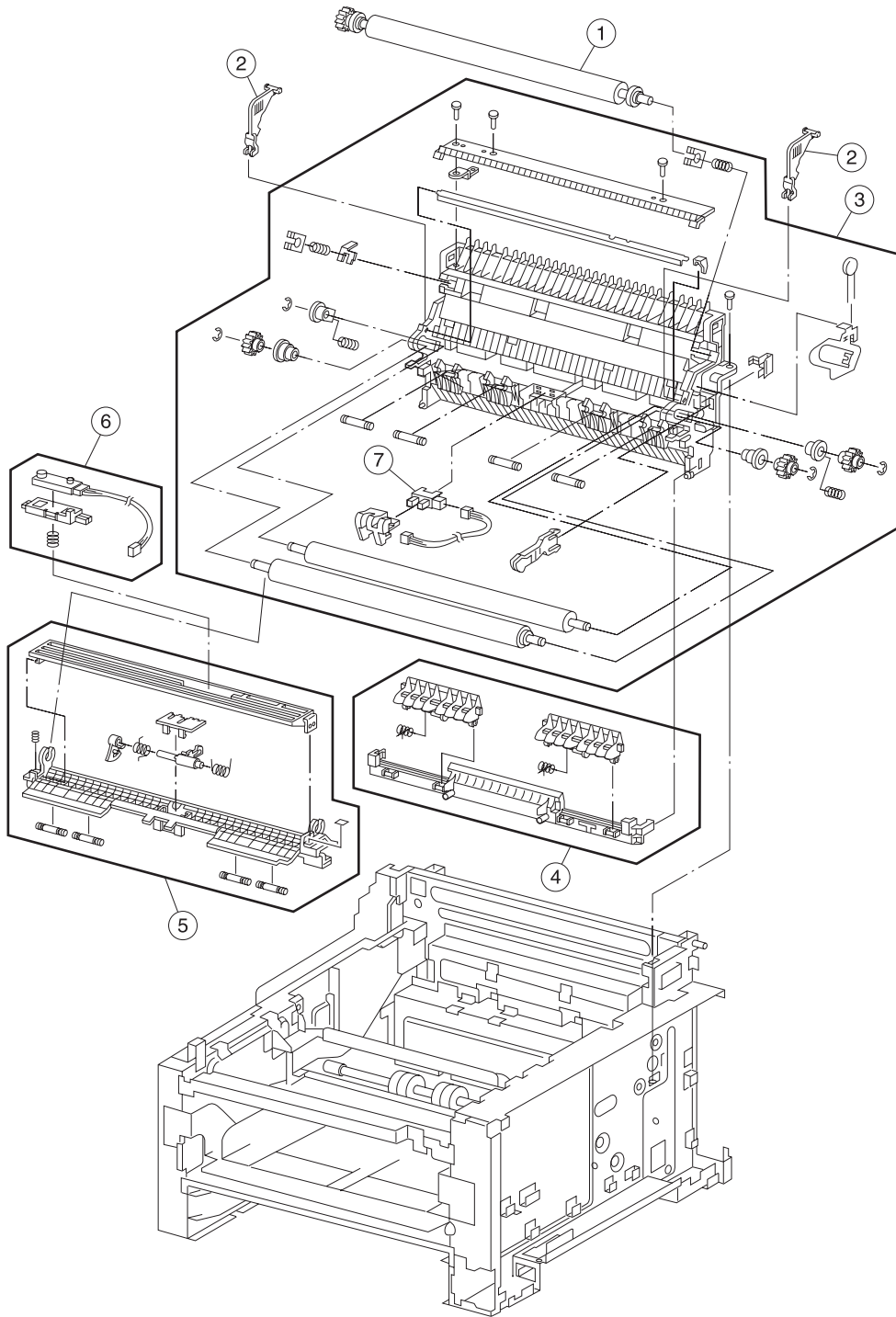
Assembly 4: Duplex Paper Feed



Assembly 4: Duplex Paper Feed

Asm-Index	Part Number	Units	Description
4-1	56P0868	1	Guide Assembly, Upper Duplex Out
2	56P0802	1	Sensor, Photo (Duplex Sensor 2)
3	56P0869	1	Flag, Duplex Output Sensor
4	56P0870	1	Roll Assembly, Duplex Output Feed
5	56P0872	1	Gear, Optional Feeder Drive
6	56P0803	1	Bearing, Feed Roll (Right)
7	56P0877	1	Guide Assembly, Lower Duplex Out
8	56P0873	1	Bearing, Feed Roll (Left)
9	56P0874	1	Clutch, Duplex Output Feed Roll
10	56P0875	1	Cable, Duplex Clutch

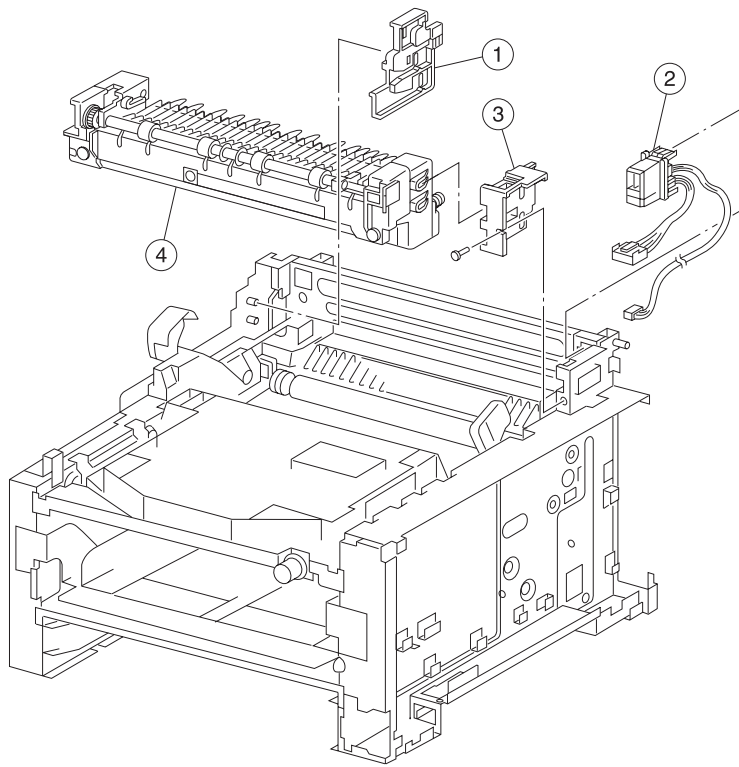
Assembly 5: Main Paper Feed



Assembly 5: Main Paper Feed

Asm-Index	Part Number	Units	Description
5-1	56P0878	1	Roll Assembly, Transfer
2	56P0882	2	Stop, Transfer Roll Assembly (for shipping purposes only)
3	56P0883	1	Guide Assembly, Transfer
4	56P0880	1	Guide Assembly, Duplex to Registration
5	56P0879	1	Guide Assembly, Registration Paper
6	56P0881	1	Sensor, Toner Low
7	56P0802	1	Sensor, Photo (Registration)

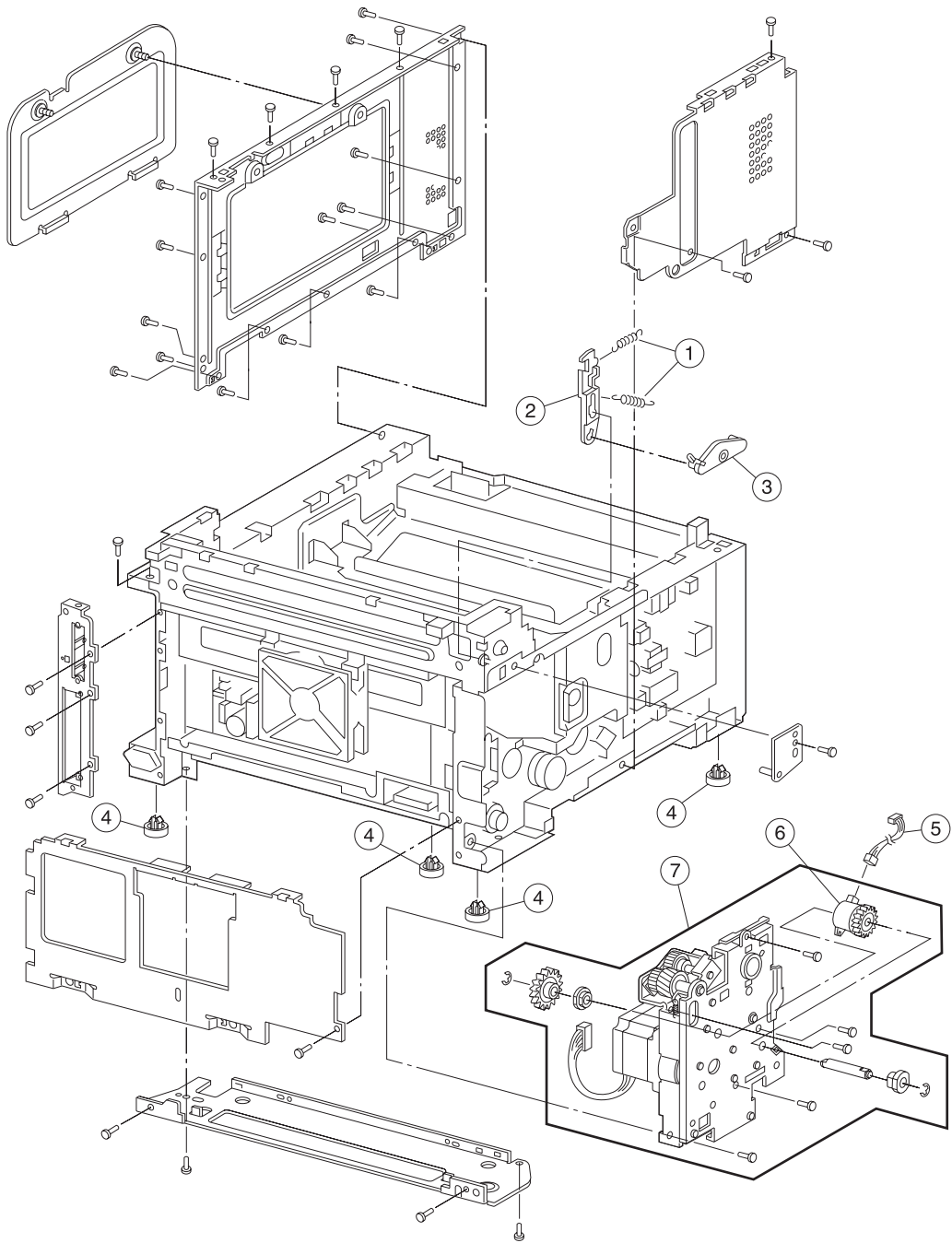
Assembly 6: Fuser



Assembly 6: Fuser

Asm-Index	Part Number	Units	Description
6-1	56P0886	1	Latch, Left Fuser
2	56P0888	1	Cable, Engine (P15) to Fuser 100V/120V
2	56P0961	1	Cable, Engine (P15) to Fuser 220V
3	56P0887	1	Latch, Right Fuser
4	56P0968	1	Fuser Assembly, 100 V Complete
4	56P0884	1	Fuser Assembly, 120 V, Complete
4	56P0885	1	Fuser Assembly, 220 V, Complete

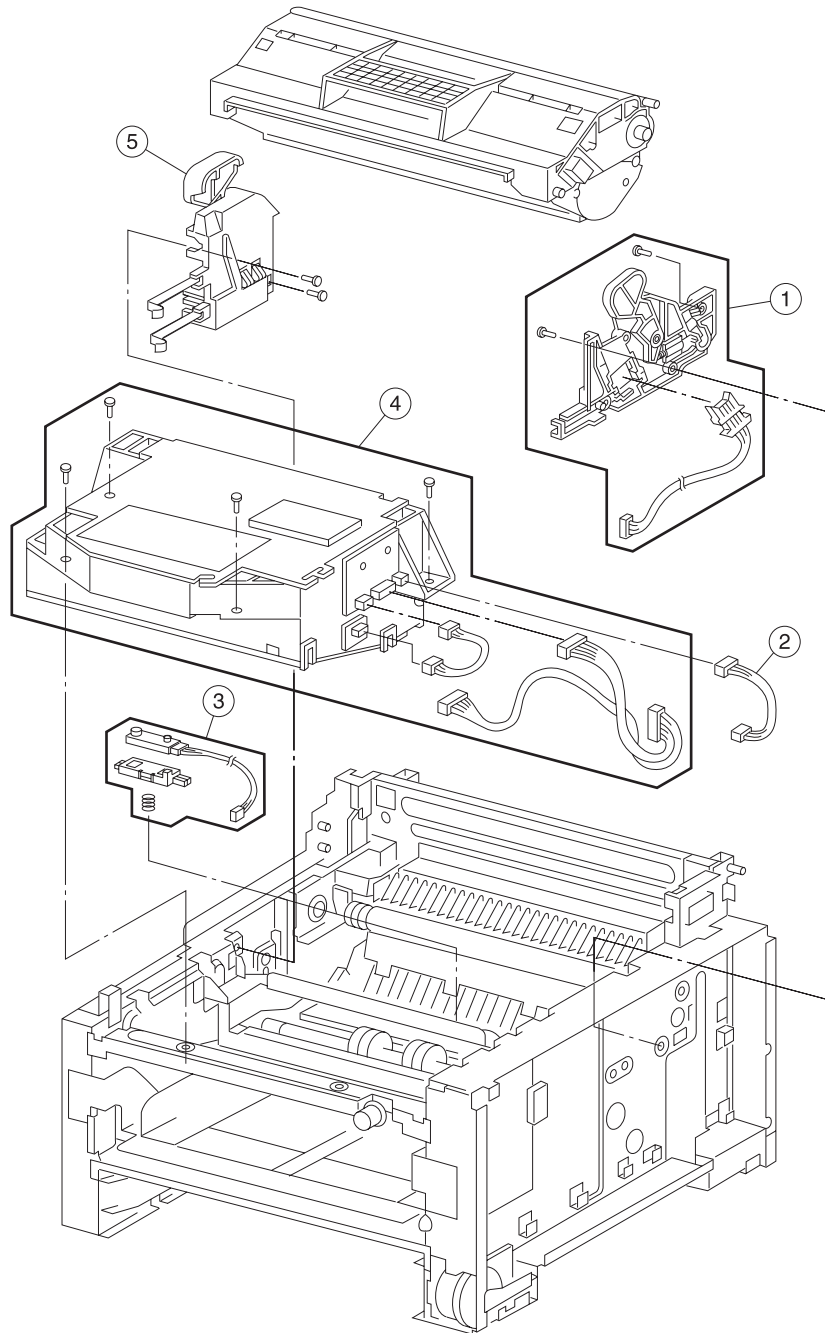
Assembly 7: Main Drive



Assembly 7: Main Drive

Asm-Index	Part Number	Units	Description
7-1	56P0889	2	Spring, Cover Open Link
2	56P0890	1	Link, Cover Open
3	56P0891	1	Cam, Cover Open
4	56P0809	4	Foot, Rubber
5	56P0894	1	Cable, Registration Clutch
6	56P0893	1	Clutch, Registration Roller
7	56P0892	1	Drive Assembly, Main

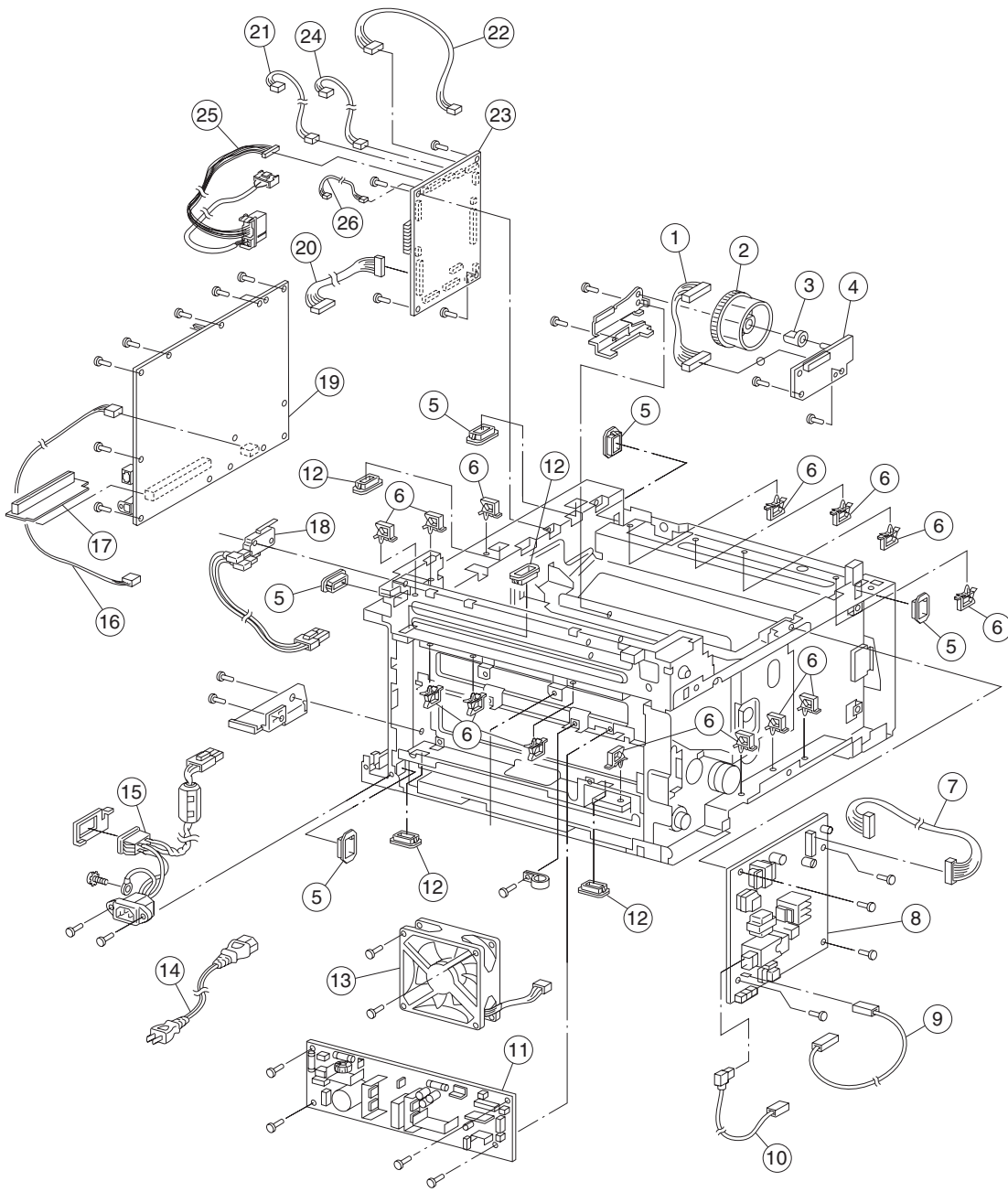
Assembly 8: Printhead



Assembly 8: Printhead

Asm-Index	Part Number	Units	Description
8-1	56P0896	1	Guide Assembly, Right Cartridge
2	56P0951	1	Cable, Engine (P22) to Printhead Video
3	56P0881	1	Sensor, Toner Low
4	56P0897	1	Printhead, Complete Laser
5	56P0895	1	Guide Assembly, Left Cartridge

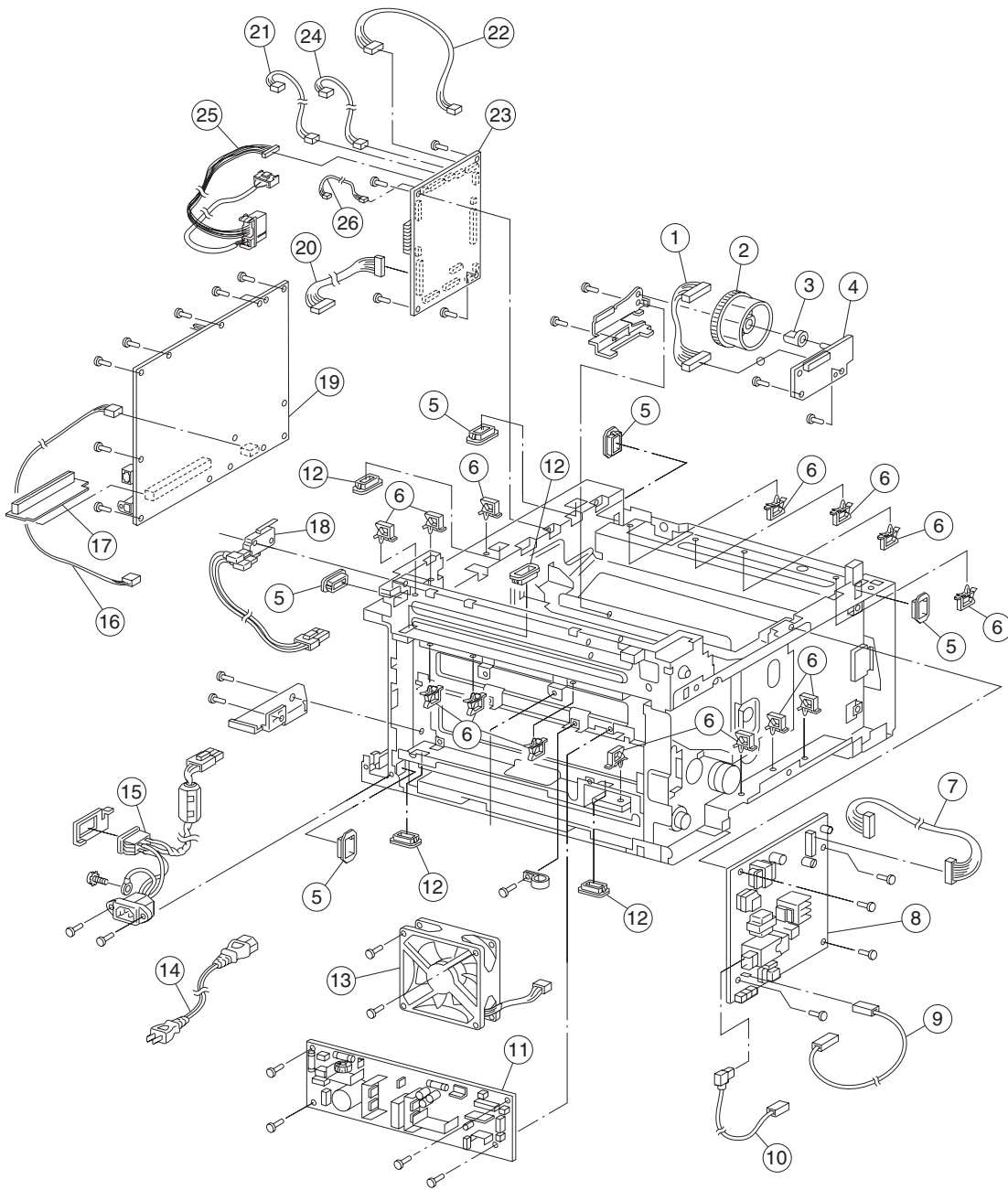
Assembly 9: Electronics



Assembly 9: Electronics

Asm-Index	Part Number	Units	Description
9-1	56P0899	1	Cable, Engine (P17) to Paper Size Card
2	56P0807	1	Dial, Paper Size
3	56P0806	1	Knob, Paper Size Dial
4	56P0898	1	Card Assembly, Paper Size
5	56P0916	5	Grommet, Cable
6	56P0863	14	Clamp, Cable
7	56P0904	1	Cable, Engine (P13) to HVPS
8	56P0903	1	Power Supply, High Voltage
9	56P0905	1	Cable, HVPS Detack
10	56P0906	1	Cable, HVPS Transfer
11	56P0907	1	Power Supply, Low Voltage 100V/120V
11	56P0908	1	Power Supply, Low Voltage, 220V
12	56P0917	4	Grommet, Cable
13	56P0909	1	Fan, Cooling
14	70G0478	1	Power Cord, U.S., Canada, Bolivia, Peru, Mexico, Saudi Arabia, Colombia, Costa Rica, Dominican Republic, Ecuador, El Salvador, Guatemala, Honduras, Japan, Nicaragua, Panama, Venezuela, Puerto Rico, Taiwan, The Virgin Islands, Caribbean countries
14	1339528	1	Power Cord, UK, Ireland, UAE, Kuwait, Bahrain, Qatar, Oman, Yemen, Cyprus
14	1339529	1	Power Cord, Austria, Belgium, Bosnia, Bulgaria, Catalan, Czech, Croatia, Egypt, Albania (part), Finland, France, Germany, Greece, Hungary, Iceland, Italy, Jordan, Lebanon, Macedonia, Netherlands, Norway, Paraguay, Poland, Portugal, Romania, Russia and CIS, Servia, Montenegro, Slovak countries, Slovenia, Spain, Sweden, Turkey, Yugoslavia
14	1339530	1	Power Cord, Israel
14	1339531	1	Power Cord, Switzerland
14	1339532	1	Power Cord, South Africa, Pakistan
14	1339533	1	Power Cord, Chile, Uruguay,
14	1339534	1	Power Cord, Denmark
14	11D0330	1	Power Cord, Argentina
14	43H5545	1	Power Cord, PR China
14	1339548	1	Power Cord, Brazil
14	1339520	1	Power Cord, U.S. (HV) RPQ

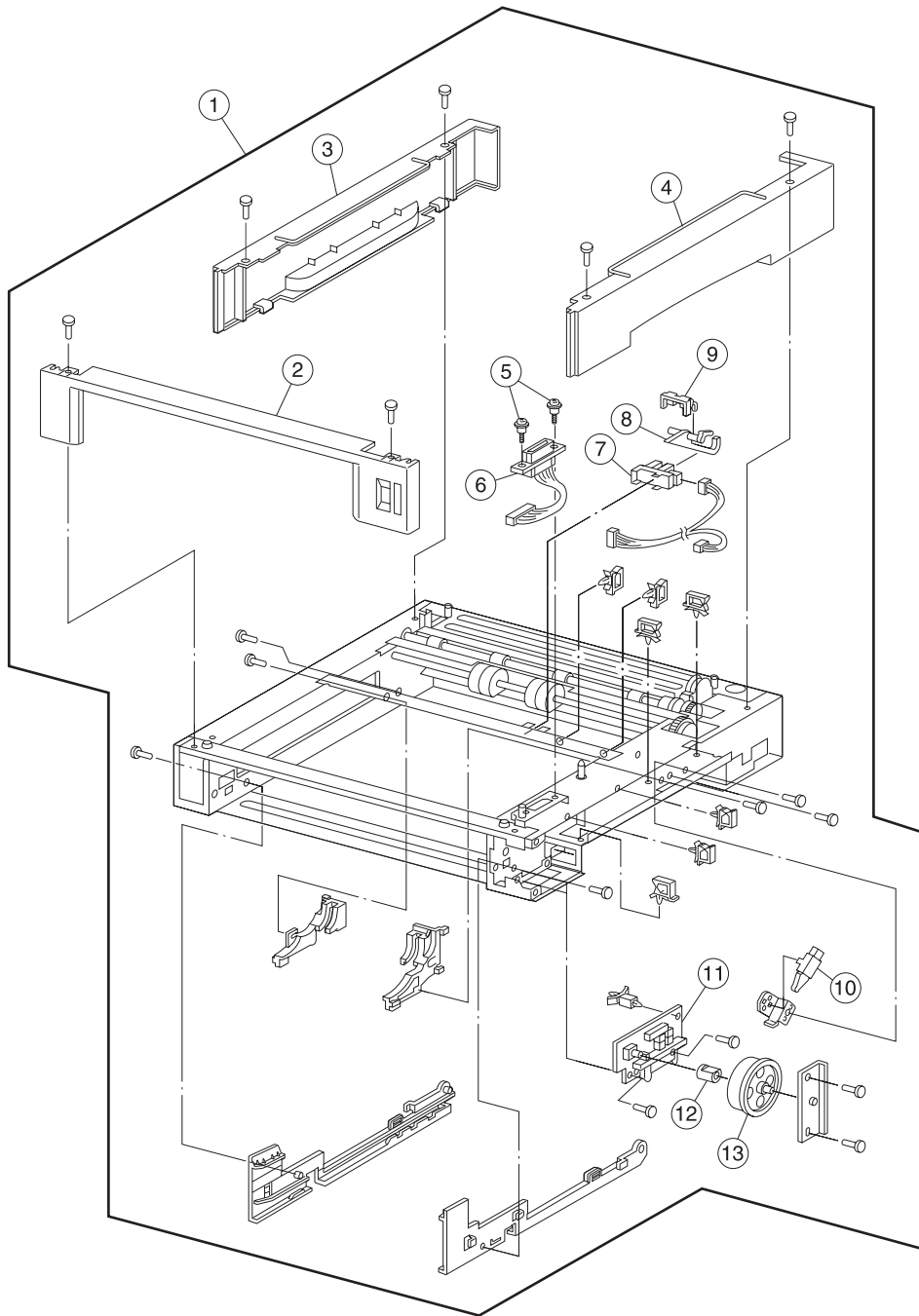
Assembly 9 (cont.): Electronics



Assembly 9 (cont.): Electronics

Asm-Index	Part Number	Units	Description
15	56P0918	1	Cable, Power Inlet
16	56P1218	1	Cable, LVPS to RIP Card Assembly
17	56P0954	1	Card Assembly, RIP Riser
18	56P0910	1	Switch, Cover Interlock
19	56P0953	1	Card Assembly, RIP (Network)
19	56P0952	1	Card Assembly, RIP
20	56P0912	1	Cable, Engine (P10) to LVPS
21	56P0913	1	Cable, Engine (P27) to LVPS (Fuser Control)
22	56P0914	1	Cable, Engine (P25) to MPF Empty Sensor
23	56P0911	1	Card Assembly, Engine
24	56P0840	1	Cable, Engine (P12) to Tray 1 Empty Sensor
25	56P0888	1	Cable, Engine (P15) to Fuser (100V/120V)
25	56P0961	1	Cable, Engine (P15) to Fuser (220V)
26	56P0951	1	Cable, Engine (P22) to Printhead Video

Assembly 10: Optional 250-Sheet Feeder



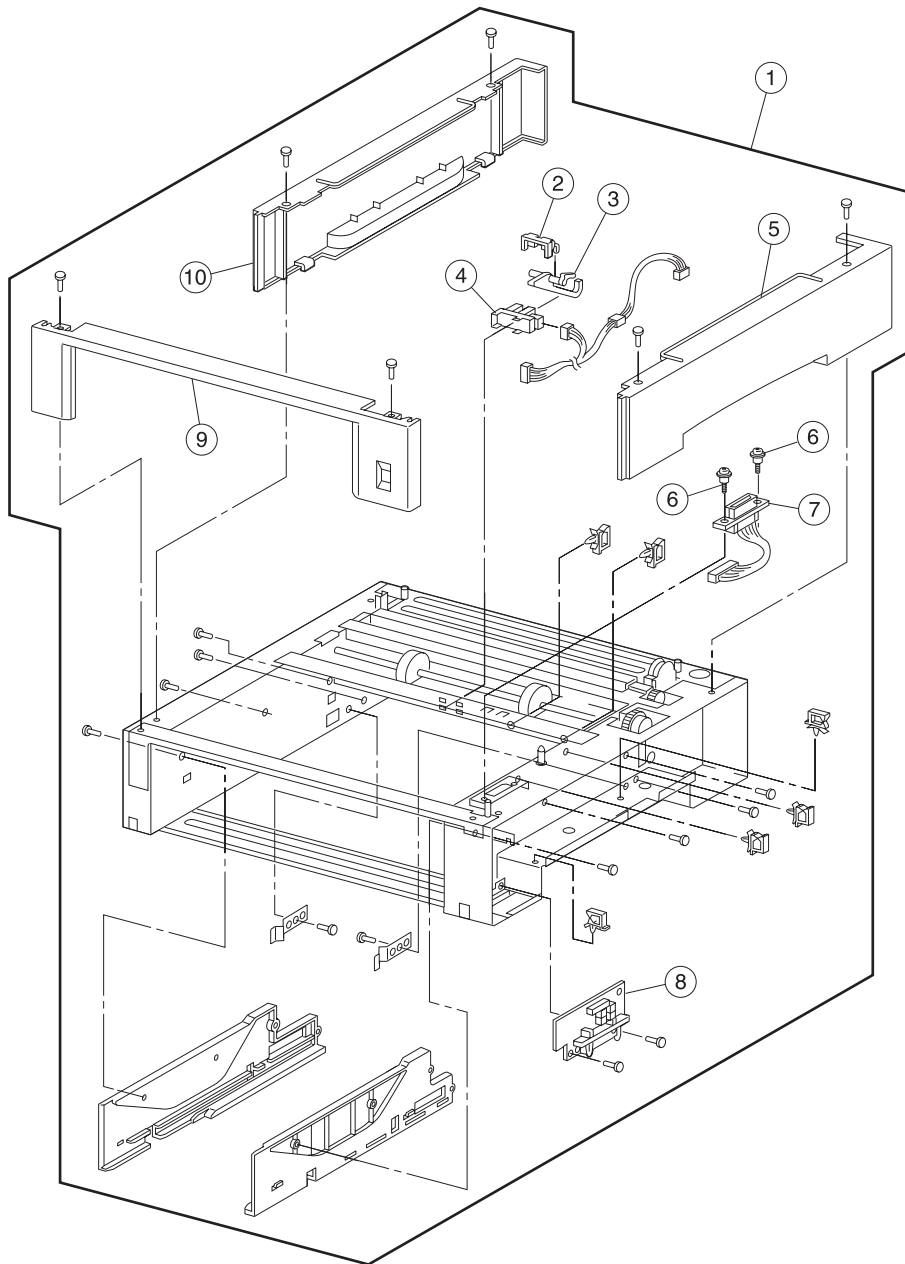
Assembly 10: Optional 250-Sheet Feeder

Asm-Index	Part Number	Units	Description
10-1	56P0808	1	Feeder Assembly, Optional 250-Sheet
2	56P0919	1	Cover, Optional 250 Front
3	56P0920	1	Cover, Optional 250 Left Side
4	56P0921	1	Cover, Optional 250 Right Side
5	56P0811	2	Screw, Optional Interconnect
6	56P0810	1	Cable, Optional Interconnect
7	56P0802	1	Sensor, Photo
8	56P0922	1	Flag, Optional 250 Paper Empty
9	56P0812	1	Clamp, Optional Sensor
10	56P0804	1	Switch, Tray Present
11	56P0923	1	Card Assembly, Paper Size Optional 250
12	56P0806	1	Knob, Paper Size Dial
13	56P0807	1	Dial, Paper Size

Assembly 10 (cont.): Optional 250-Sheet Feeder

Asm-Index	Part Number	Units	Description
10-1	56P0815	1	Clutch, Optional Feedroll
2	56P0800	1	Kit, Pick Roll (contains 2)
3	56P0817	4	Joint, Optional Feeder
4	56P0809	4	Foot, Rubber
5	56P0816	1	Solenoid, Optional 250/500 Roller
6	56P0925	1	Guide Assembly, Optional 250 Paper
7	56P0924	1	Roll Assembly, Optional 250 Pick
8	56P0814	1	Roll Assembly, Optional Feed

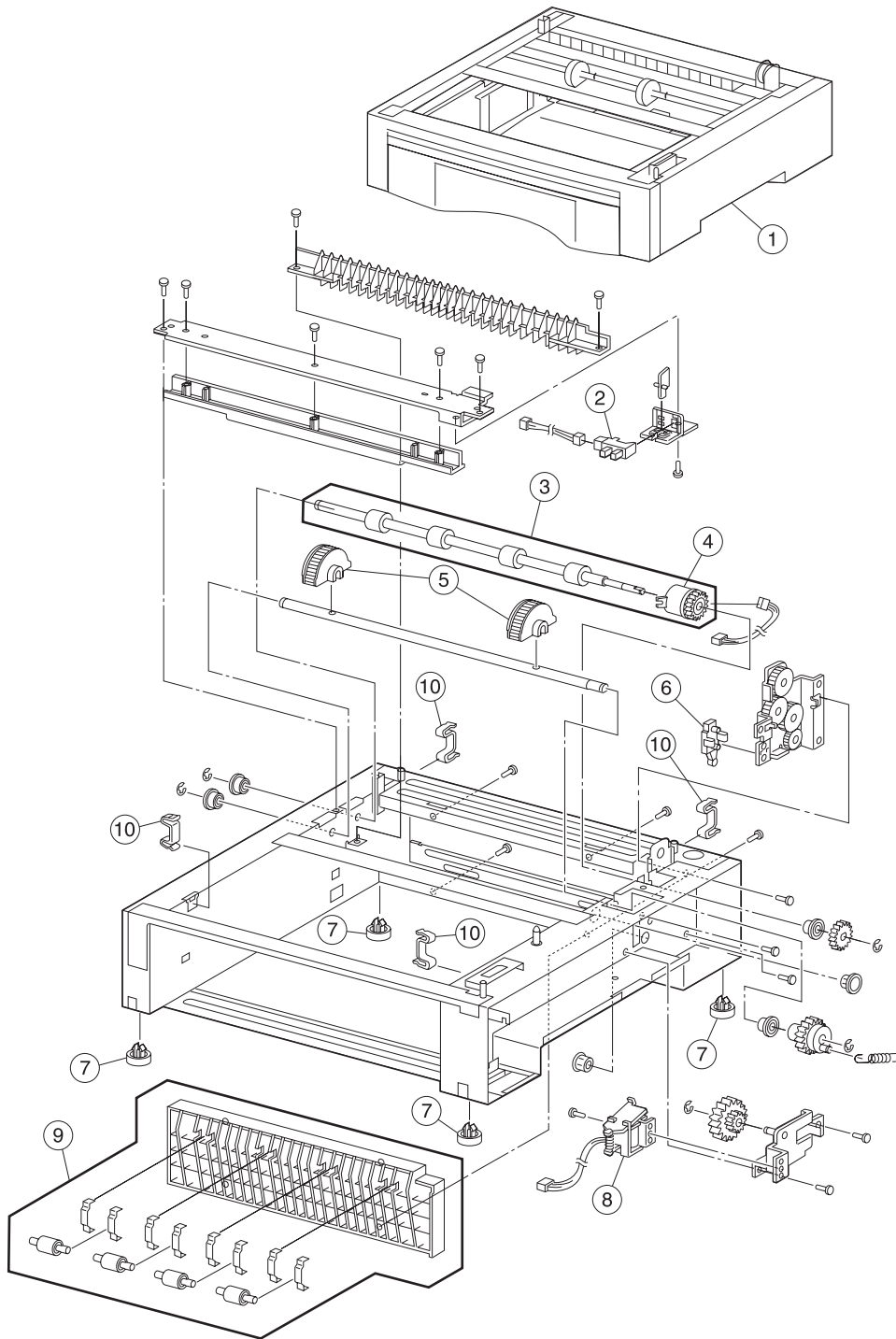
Assembly 11: Optional 500-Sheet Feeder



Assembly 11: Optional 500-Sheet Feeder

Asm-Index	Part Number	Units	Description
11-1	56P0813	1	Feeder Assembly, Optional 500-Sheet (LTR)
1	56P0962	1	Feeder Assembly, Optional 500-Sheet (A4)
2	56P0812	1	Clamp, Optional Sensor
3	56P0929	1	Flag, Optional 500 (Paper Empty)
4	56P0802	1	Sensor, Photo (Paper Empty)
5	56P0928	1	Cover, Optional 500 Right
6	56P0811	2	Screw, Optional Interconnect
7	56P0810	1	Cable, Optional Interconnect
8	56P0930	1	Card Assembly, Optional 500 Feeder (A4)
8	56P0969	1	Card Assembly, Optional 500 Feeder (LTR)
9	56P0926	1	Cover, Optional 500 Front (LTR)
9	56P0964	1	Cover, Optional 500 Front (A4)
10	56P0927	1	Cover, Optional 500 Left
NS	56P0965	1	Cable, Optional 500 Feeder (LTR)

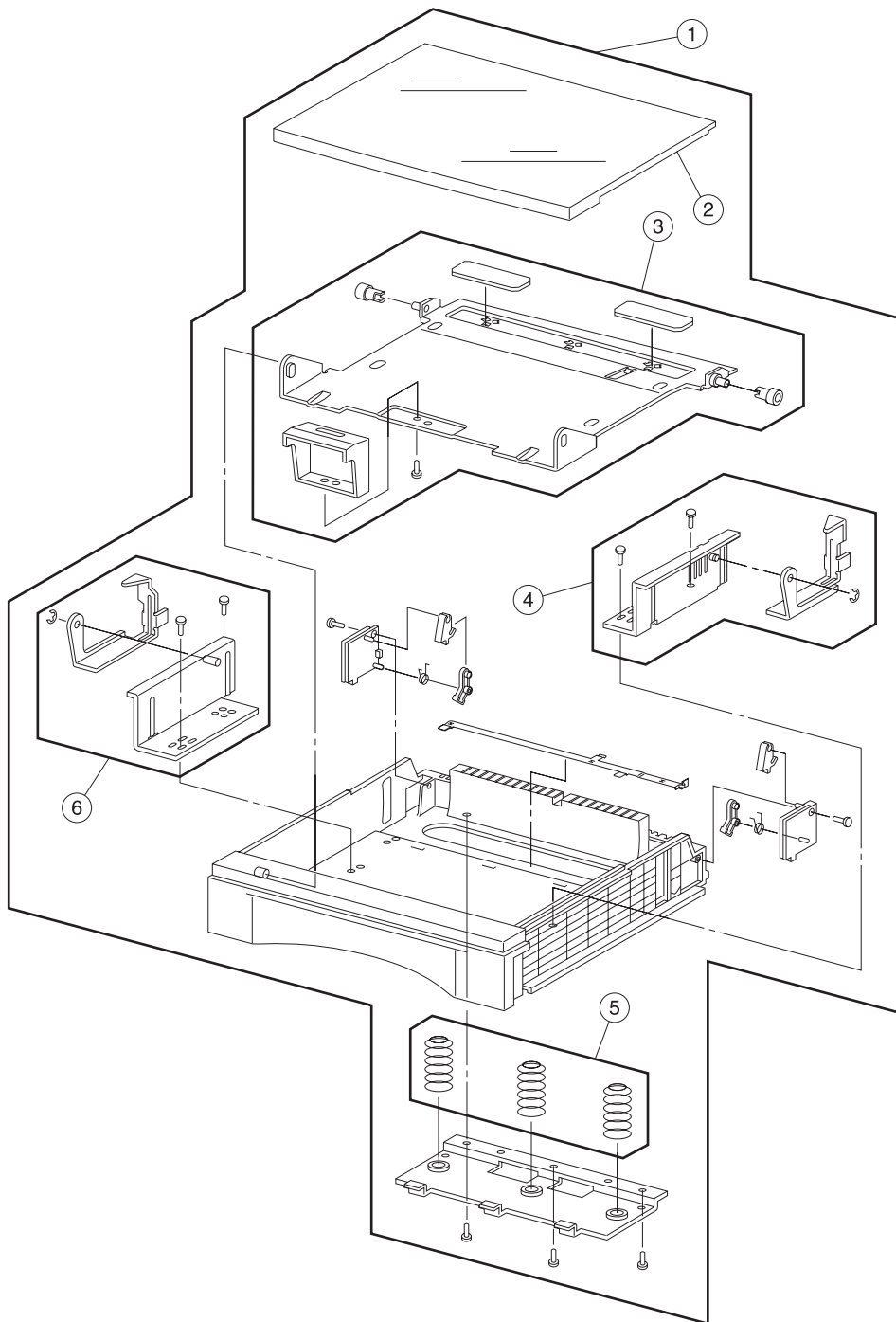
Assembly 11 (cont.): Optional 500-Sheet Feeder



Assembly 11 (cont.): Optional 500-Sheet Feeder

Asm-Index	Part Number	Units	Description
11-1	56P0813	1	Feeder Assembly, Optional 500-Sheet (LTR)
1	56P0962	1	Feeder Assembly, Optional 500-Sheet (A4)
2	56P0802	1	Sensor, Photo (Paper Empty)
3	56P0814	1	Roll Assembly, Optional Feed
4	56P0815	1	Clutch, Optional Feedroll
5	56P0932	2	Roll, Optional 500 Pick
6	56P0804	1	Sensor, Tray Present
7	56P0809	4	Foot, Rubber
8	56P0816	1	Solenoid, Optional 250/500 Roller
9	56P0933	1	Guide Assembly, Optional 500 Paper
10	56P0817	4	Joint, Optional Feeder

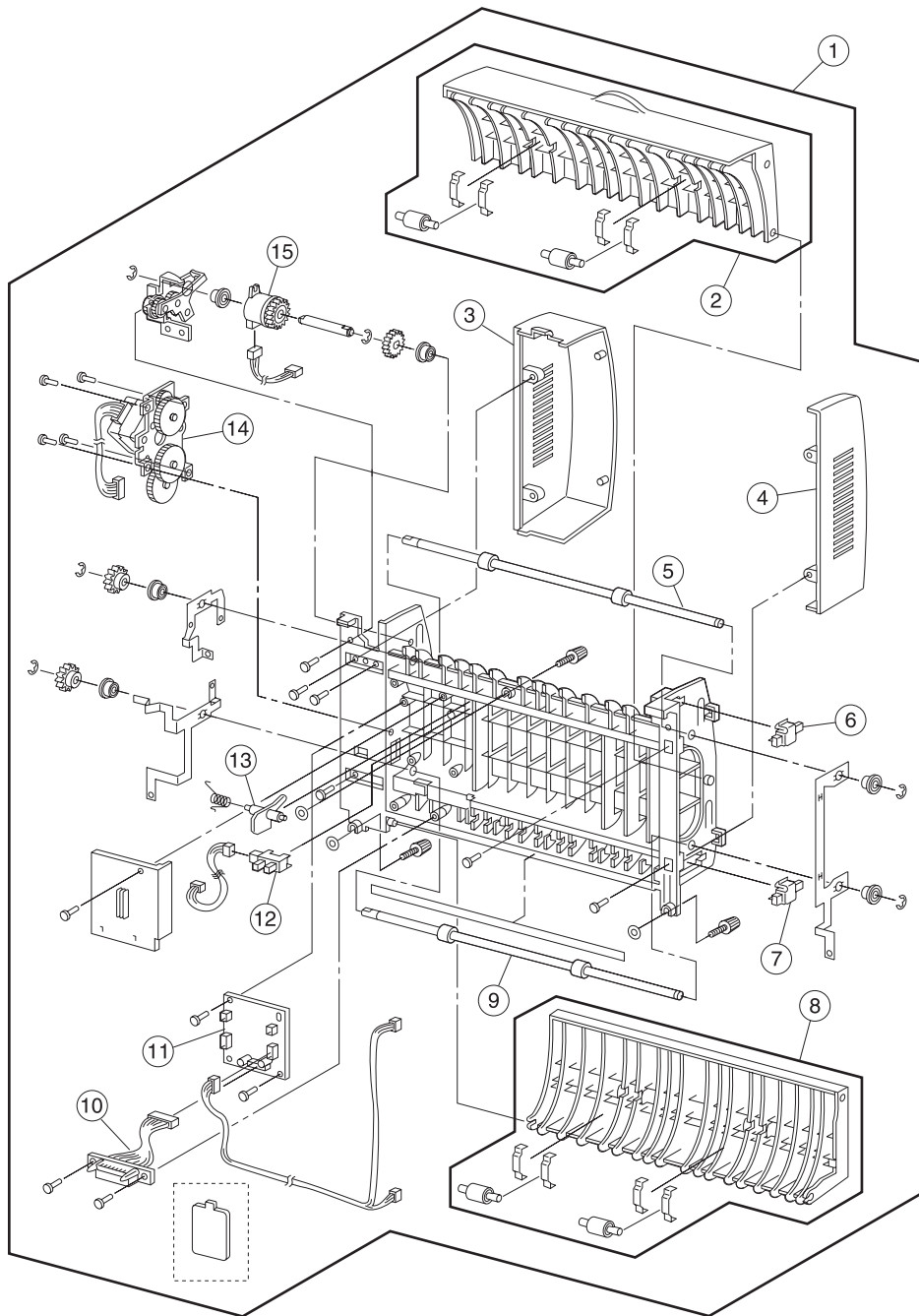
Assembly 12: Optional 500-Sheet Tray



Assembly 12: Optional 500-Sheet Tray

Asm-Index	Part Number	Units	Description
12-1	56P0934	1	Tray Assembly, 500-Sheet (LTR)
1	56P0963	1	Tray Assembly, 500-Sheet (A4)
2	56P0938	1	Cover, Optional 500 Tray Upper
3	56P0937	1	Plate Assembly, Optional 500 Lift
4	56P0935	1	Guide Assembly, Optional 500 Tray Right
5	56P0960	1	Kit Assembly, Optional 500 Spring
6	56P0936	1	Guide Assembly, Optional 500 Tray Left

Assembly 13: Duplex Unit



Assembly 13: Duplex Unit

Asm-Index	Part Number	Units	Description
13-1	56P0939	1	Duplex Assembly, Complete
2	56P0940	1	Door Assembly, Duplex Upper Access
3	56P0942	1	Cover, Duplex Left Side
4	56P0943	1	Cover, Duplex Right Side
5	56P0946	1	Roll Assembly, Upper Duplex Feed
6	56P0947	1	Switch, Duplex Upper Door Open
7	56P0947	1	Switch, Duplex Lower Door Open
8	56P0941	1	Door Assembly, Duplex Lower Access
9	56P0946	1	Roll Assembly, Lower Duplex Feed
10	56P0945	1	Cable, Duplex
11	56P0944	1	Card Assembly, Duplex
12	56P0802	1	Sensor, Photo, Duplex #1
13	56P0948	1	Flag, Duplex Paper Sensor
14	56P0949	1	Motor Assembly, Duplex
15	56P0950	1	Clutch, Duplex

Assembly 14: Miscellaneous/Options

Asm-Index	Part Number	Units	Description
NS	56P1101	1	Cable, A-C Parallel (6 ft)
NS	56P0695	1	Card Assembly, 8MB DIMM
NS	56P0696	1	Card Assembly, 16MB DIMM
NS	56P0697	1	Card Assembly, 32MB DIMM
NS	56P0698	1	Card Assembly, 64MB DIMM
NS	56P0699	1	Card Assembly, 128MB DIMM
NS	99A1757	1	Card Assembly, 2MB Flash DIMM
NS	99A1758	1	Card Assembly, 4MB Flash DIMM
NS	99A1759	1	Card Assembly, 8MB Flash DIMM
NS	99A1774	1	Card Assembly, 16MB Flash DIMM
NS	99A1683	1	Card Assembly, Optra Forms™ 2MB Flash DIMM
NS	99A1684	1	Card Assembly, Optra Forms 4MB Flash DIMM
NS	99A1685	1	Card Assembly, Optra Forms 8MB Flash DIMM
NS	99A1686	1	Card Assembly, Optra Forms 16MB Flash DIMM
NS	12G9833	1	Card Assembly, MarkNet™ X2011e Ethernet 10/100BaseTX
NS	12G9832	1	Card Assembly, MarkNet X2012e Ethernet 10/100BaseTX/10Base2 - 1 Port
NS	12G9831	1	Card Assembly, MarkNet X2031e Ethernet 10/100BaseTX - 3 Port
NS	12G9830	1	Card Assembly, MarkNet X2030t Token-Ring - 3 Port
NS	99A0545	1	Card Assembly, External Serial Adapter
NS	1329605	1	Cable, High-Speed Bidirectional Parallel Cable (10 ft)
NS	1427498	1	Cable, High-Speed Bidirectional Parallel Cable (20 ft)
NS	12A2405	1	Cable, USB 2-Meter Cable
NS	1038693	1	Serial Cable (50 ft)
NS	56P1101	1	Parallel 1284 A-C (6') Cable
NS	56P1226	1	Card Assembly for IPDS and SCS/TNe
NS	56P1229	1	Card Assembly, Bar Code
NS	12G1697	1	Card Assembly, MarkNet N2000t Token Ring
NS	12G1695	1	Card Assembly, MarkNet N2001e Ethernet 10/100TX
NS	12G1696	1	Card Assembly, MarkNet N2002e Ethernet 10Base T/2
NS	56P1250	1	W812 Simplified Chinese Font DIMM
NS	56P1251	1	W812 Traditional Chinese Font DIMM
NS	56P1248	1	W812 Japanese Font DIMM
NS	99A2488	1	5+GB Formatted Hard Disk
NS	56P0161	1	RS-232C Serial/Parallel 1284 A-C Interface Card
NS	56P0162	1	Parallel 1284 C-B Adapter
NS	56P1232	1	802.11b Adapter for United States, Canada, Mexico
NS	56P1233	1	802.11b Adapter - International
NS	56P0159	1	Coax/Twinax Adapter for SCS

Assembly 14 (cont.): Miscellaneous/Options

Asm-Index	Part Number	Units	Description
NS	56P1464	1	Card for IPDS & SCS/Tne
NS	56P1256	1	ImageQuick™ Card
NS	56P1229	1	Bar Code Card
NS	56P1230	1	Decryption Card
NS	56P9926	1	Optra Forms Software
NS	56P9927	1	Optra Forms Director Software