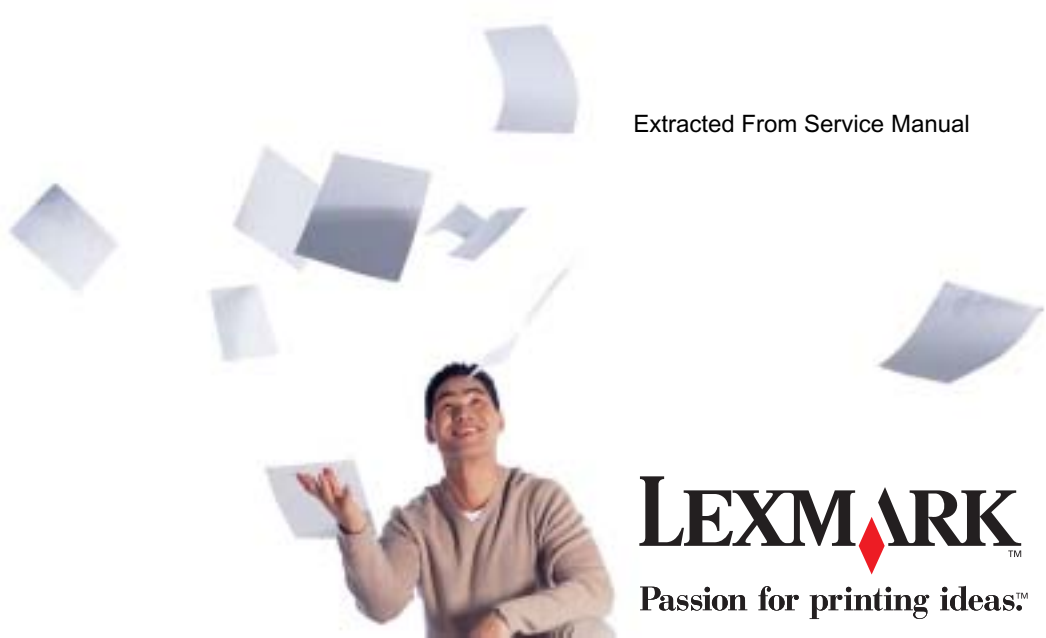


Parts Breakdown

Optra™ E

4026-0XX

Extracted From Service Manual



LEXMARK™

Passion for printing ideas.™

Third Edition (April 1997)

The following paragraph does not apply to the United Kingdom or any country where such provisions are inconsistent with local law: LEXMARK INTERNATIONAL, INC. PROVIDES THIS PUBLICATION "AS IS" WITHOUT WARRANTY OF ANY KIND, EITHER EXPRESS OR IMPLIED, INCLUDING, BUT NOT LIMITED TO, THE IMPLIED WARRANTIES OF MERCHANTABILITY OR FITNESS FOR A PARTICULAR PURPOSE. Some states do not allow disclaimer of express or implied warranties in certain transactions, therefore, this statement may not apply to you.

This publication could include technical inaccuracies or typographical errors. Changes are periodically made to the information herein; these changes will be incorporated in later editions of the publication. Improvements or changes in the products or the programs described in this publication may be made at any time. Publications are not stocked at the address given below; requests for publications should be made to your point of purchase.

Comments may be addressed to Lexmark International, Inc., D22A/035-3, 740 New Circle Road NW, Lexington, Kentucky 40550, U.S.A. Lexmark may use or distribute any of the information you supply in any way it believes appropriate without incurring any obligation to you.

Lexmark and Optra are trademarks of Lexmark International, Inc., registered in the United States and/or other countries.

Other trademarks are the property of their respective owners.

**© Copyright Lexmark International, Inc. 1995, 1997
All rights reserved.**

UNITED STATES GOVERNMENT RESTRICTED RIGHTS

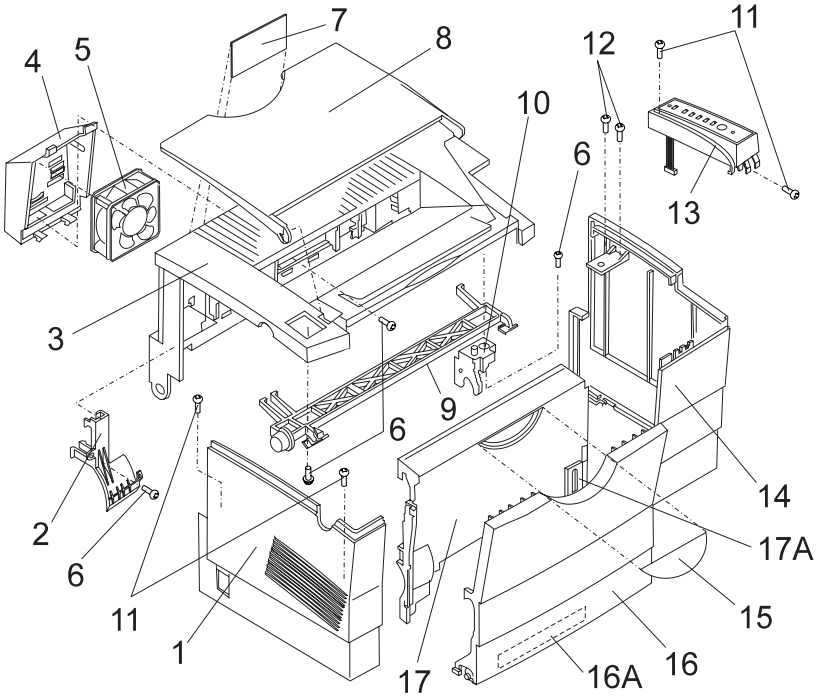
This software and documentation are provided with RESTRICTED RIGHTS. Use, duplication or disclosure by the Government is subject to restrictions as set forth in subparagraph (c)(1)(ii) of the Rights in Technical Data and Computer Software clause at DFARS 252.227-7013 and in applicable FAR provisions: Lexmark International, Inc., Lexington, KY 40550.

6. Parts Catalog

How To Use This Parts Catalog

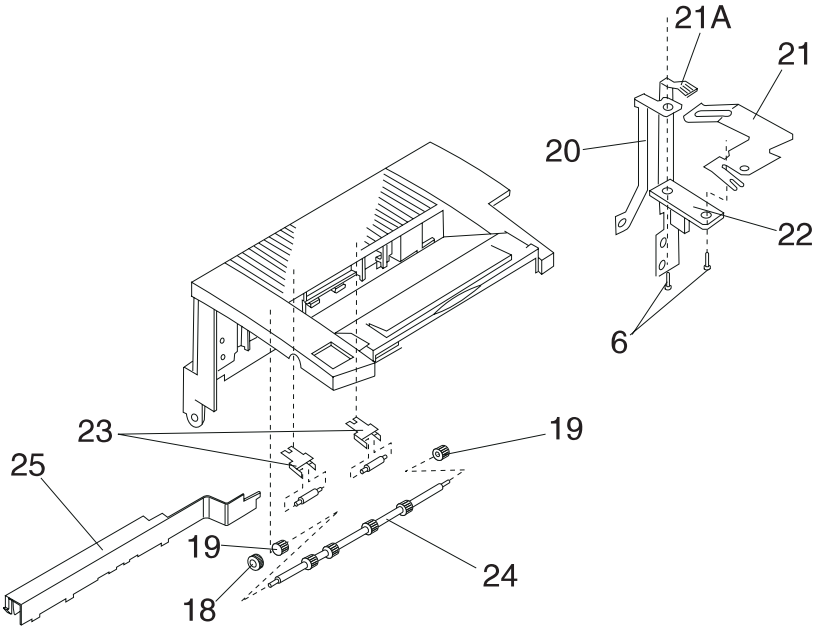
- **SIMILAR ASSEMBLIES:** If two assemblies contain a majority of identical parts, they are broken down on the same list. Common parts are shown by one index number. Parts peculiar to one or the other of the assemblies are listed separately and identified by description.
- **AR: (As Required)** in the Units column indicates that the quantity is not the same for all machines.
- **NS: (Not Shown)** in the Asm-Index column indicates that the part is procurable but is not pictured in the illustration.
- **PP: (Parts Packet)** in the parts description column indicates the part is contained in a parts packet.
- **INDENTURE:** The indenture is marked by a series of dots located before the parts description. The indenture indicates the relationship of a part to the next higher assembly. For example:
 - INDENTURE RELATIONSHIP OF PARTS
 - (No dot) MAIN ASSEMBLY
 - (One dot) o Detail parts of a main assembly
 - (One dot) o Subassembly of the main assembly
 - (Two dot) o o Detail part of a one-dot subassembly
 - (Two dot) o o Subassembly of a one-dot subassembly

Assembly 1: Covers



Asm-Index	Part Number	Units	Description
1-1	69G8341	1	Left Side Cover
1-2	69G9969	1	Cover, Cable 06A/06B/06D/06J/070
1-2	11A7376	1	Cover, Cable 06C/06F/071
1-3	69G8301	1	Top Cover 06A/06B/06D/06J/070
1-3	11A7377	1	Top Cover 06C/06F/071
1-4	69G8306	1	Fan Cover 06A/06B/06D/06J/070
1-4	11A7378	1	Fan Cover 06C/06F/071
1-5	69G8305	1	Fan 06A/06B/06D/06J/070
1-5	11A7379	1	Fan 06C/06F/071
1-6		8	Screw, Type 3704 PP 69G9974
1-7	69G9990	1	Label, S/N Blank
1-8	69G8340	1	Exit Paper Tray
1-9	69G8303	1	Cover Release Assembly
1-10	69G8302	1	Printhead Interlock Actuator
1-11		4	Screw, Type 3504 PP 69G9974
1-12		2	Screw, Type 4011 PP 69G9974
1-13	69G8396	1	Operator Panel Assembly inc. English Overlay
1-13	69G9981	1	Operator Panel Assembly inc. Overlay W.T. Kit
1-13	11A7458	1	Operator Panel Assembly inc. Japanese Overlay
1-14	69G8342	1	Right Side Cover with shield
1-15	69G9690	1	Logo, Optra E 06A/06B/06J
1-15	11A7443	1	Logo, Optra Ep 06D
1-15	69G9690	1	Logo, Optra Es 06C/06F/071
1-15	11A7759	1	Logo, Optra E+ 070
1-16	69G8344	1	Input Paper Tray
1-16A	11A7463	1	Label, Lever Overlay Sheet U.S.
1-16A	11A7464	1	Label, Lever Overlay Sheet W.T.
1-17	69G8343	1	Front Cover
1-17A	69G8298	1	Input Paper Tray Extended Guide w/screw
NS	11A7758	1	Input Tray Legs, Left and Right Side
NS	11A7757	1	Input Tray Cover Assembly
NS	11A7761	1	Manual Feed Tray Right Paper Guide

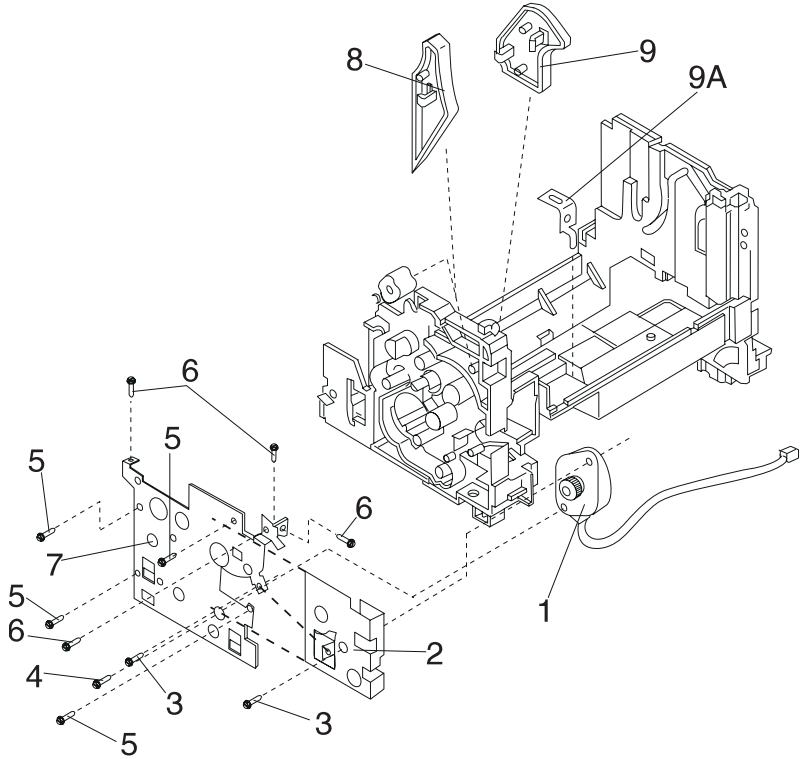
Assembly 1: Covers (continued)



4026-0XX

Asm-Index	Part Number	Units	Description
1-18	69G8337	1	Gear, 15T
1-19	69G8338	2	Bushing
1-20	11A7404	1	Terminal, PWB-R to Fuser Frame
1-21	69G9998	1	Terminal, Paper Feed Exit Shaft to Board PWB-R
1-21A	11A7403	1	Terminal, Top Cover Ground to PWB-T
1-22	69G9999	1	Board, PWB-R
1-23	69G9971	2	Exit Paper Feed Roller/Clip Assembly
1-24	69G8336	1	Exit Paper Feed Roller/Shaft Assembly 06A/ 06B/06D/06J/070
1-24	11A7465	1	Exit Paper Feed Roller/Shaft Assembly 06C/ 06F/071
1-25	69G8304	1	Cover, Wiring Harness Cable

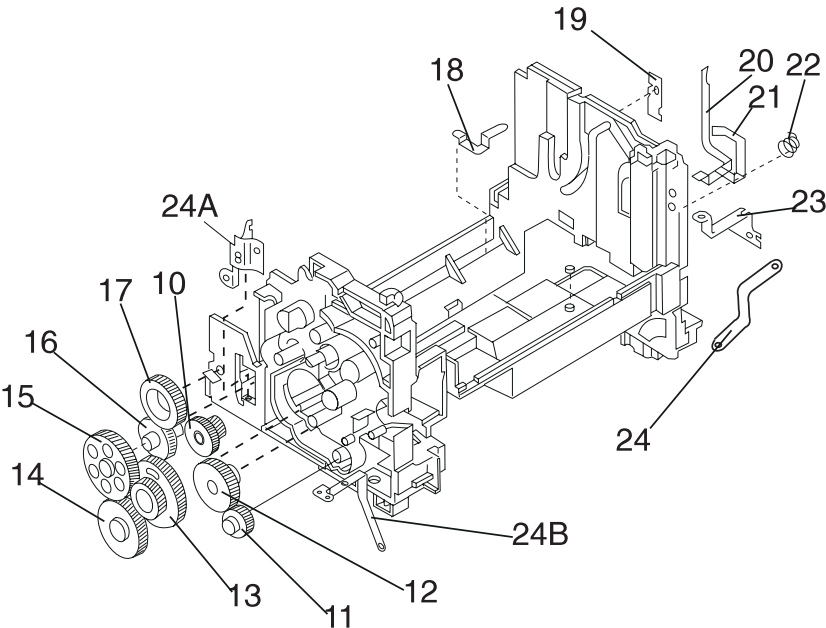
Assembly 2: Frame



4026-0XX

Asm-Index	Part Number	Units	Description
2-1	69G9962	1	Motor, Main Drive 06A/06B/06D/06J/070
2-1	11A7381	1	Motor, Main Drive 06C/06F/071
2-2	69G9691	1	Left Side Plate Motor Bracket 06A/06B/06D/ 06J/070
2-2	11A7382	1	Left Side Plate Motor Bracket 06C/06F/071
2-3		2	Screw, Type 1308 PP 69G9974
2-4		1	Screw, Type 3501 PP 69G9974
2-5		3	Screw, Type 3704 PP 69G9974
2-6		2	Screw, Type 3504 PP 69G9974
2-7	69G8345	1	Left Side Plate
2-8	69G8346	1	Guide, photoconductor unit
2-9	69G8347	1	Guide, Toner Cartridge/Photoconductor Unit
2-9A	11A7420	1	Bracket, Printhead Mounting

Assembly 2: Frame (continued)

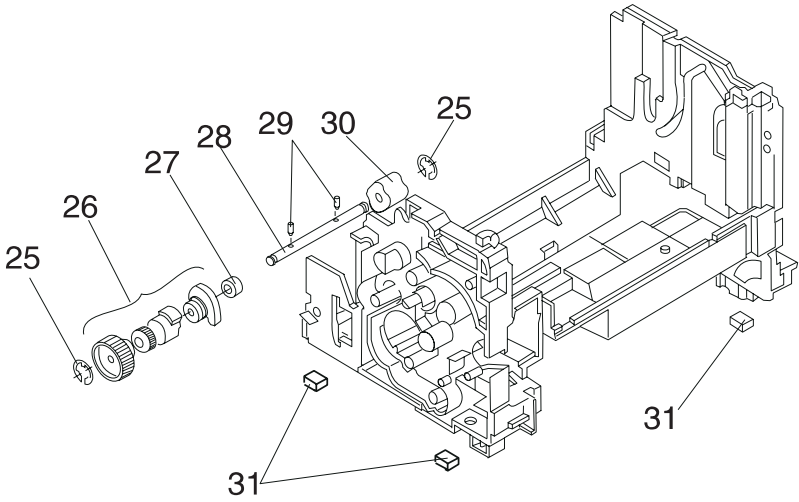


4026-0XX

Asm-Index	Part Number	Units	Description
2-10		1	Gear, 20/41T PP 69G9989
2-11		1	Gear, 29T PP 69G9989
2-12		1	Gear, 22/57T PP 69G9989
2-13		1	Gear, 44/109T PP 69G9989
2-14		1	Gear, 29/65T PP 69G9989
2-15		1	Gear, 25/72T PP 69G9989
2-16		1	Gear, 22/45T PP 69G9989
2-17		1	Gear, 50T PP 69G9989
2-18	69G8358	1	Terminal, Rt Side Ground LVPS to Bd Cage
2-19	69G8360	1	Terminal, Rt Side Photoconductor Unit Ground
2-20	69G8361	1	Terminal, Rt Side, Photoconductor Unit Charge Bias
2-21	69G8362	1	Terminal, Rt Side Toner Cartridge
2-22	69G8357	1	Spring, Rt Side Frame, Cartridge Latching PP 69G9987
2-23	69G8359	1	Terminal, Rt Side Ground HVPS to Bd Cage
2-24	69G9982	1	Terminal, Ground
2-24A	11A7424	1	Terminal, Left Side Plate to LVPS
2-24B	11A7425	1	Terminal, Left Side Plate to Lift Plate

4026-0XX

Assembly 2: Frame (continued)

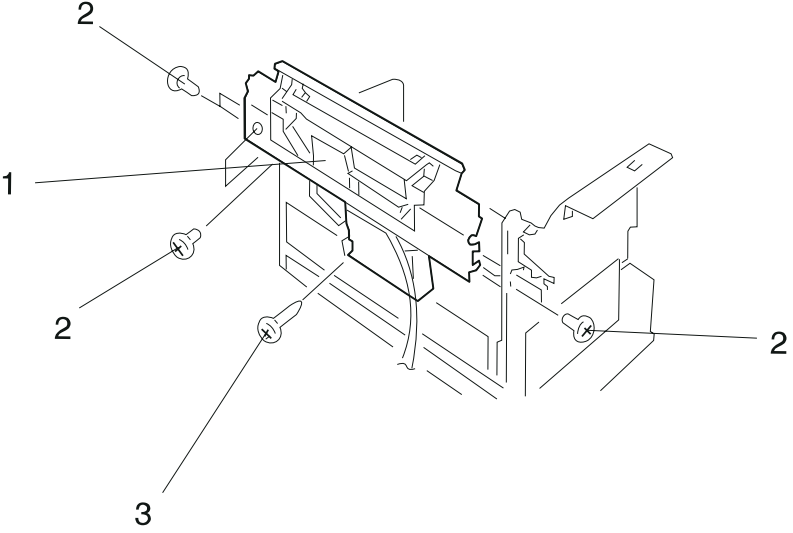


4026-0XX

Asm-Index	Part Number	Units	Description
2-25		2	C-Clip, Type 9107 PP 69G9986
2-26	69G8377	1	Clutch Cam Assembly
2-27	69G8379	1	Bushing
2-28	69G8393	1	D-Roll Shaft
2-29	69G9991	2	Pin, D-Roll Shaft
2-30	69G8375	1	D-Roll
2-31	69G8363	4	Rubber Foot 06A/06B/06D/06J
2-31	11A7467	4	Rubber Foot 06C/06F

4026-0XX

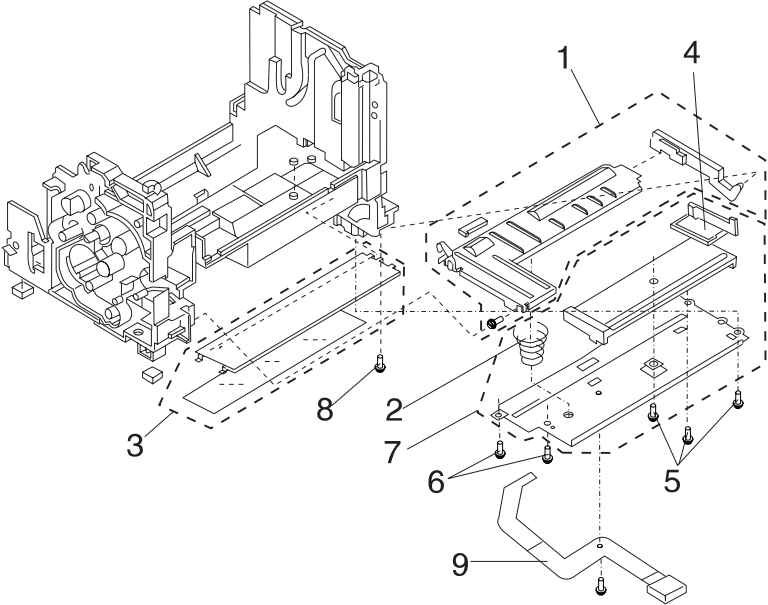
Assembly 3: Printhead



4026-0XX

Asm-Index	Part Number	Units	Description
3-1	69G8364	1	Printhead Assembly 600 dpi
3-2		5	Screw, Type 3504 PP 69G9974
3-3		1	Screw, Type 3519 PP 69G9974

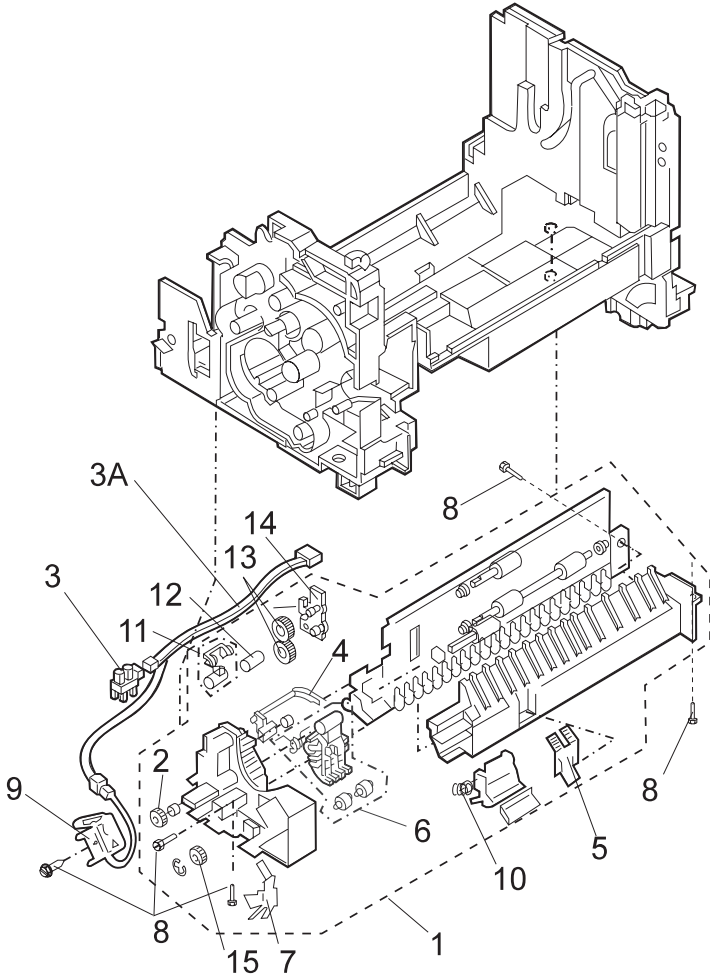
Assembly 4: Paper Feed Input Tray



4026-0XX

Asm-Index	Part Number	Units	Description
4-1	11A7419	1	Lift Plate Assembly
4-2	69G8367	1	Pressure Spring
4-3	69G8394	1	Guide Plate, Manual Feed 06A/06B/06D/06J/ 070
4-3	11A7460	1	Guide Plate, Manual Feed 06C/06F/071
4-4	69G8366	1	Guide, Movable Paper
4-5		3	Screw, Type 3704 PP 69G9974
4-6		2	Screw, Type 3504 PP 69G9974
4-7	69G8365	1	Paper Feed Input Tray Assembly 06A/06B/06D/06J/070
4-7	11A7466	1	Paper Feed Input Tray Assembly 06C/06F
4-8		1	Screw, Type 3907 PP 69G9974
4-9	11A7462	1	Lever, Print Media Selection w/screw 06C/06F/ 071

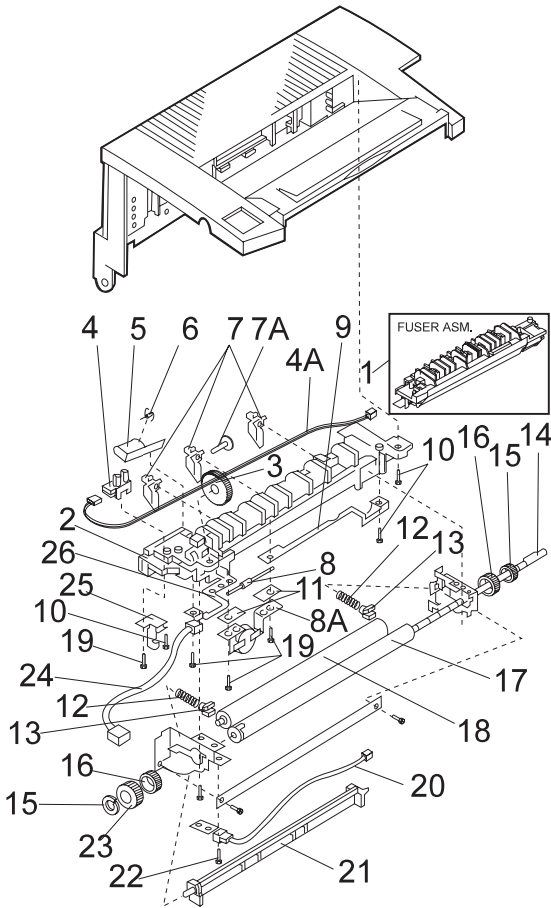
Assembly 5: Paper Feed Frame



4026-0XX

Asm-Index	Part Number	Units	Description
5-1	69G8368	1	Paper Feed Frame Assembly 06A/06B/06D/06J/070
5-1	11A7384	1	Paper Feed Frame Assembly 06C/06F/071
5-2	69G8369	1	Gear, 16T Top Paper Feed
5-3	69G8371	1	Sensor, Paper Entry
5-3A	11A7409	1	Cable, Input Sensor/Solenoid to Engine Board
5-4	69G8372	1	Flag, Paper Entry Sensor
5-5	69G8373	1	Separator, Paper 06A/06B/06D/06J070
5-5	11A7459	1	Separator, Paper 06C/06F/071
5-6	11A7442	1	Front Paper Feed Pressure Roller Assembly
5-7	69G8374	1	Terminal, Solenoid Ground
5-8		5	Screw, Type 3907 PP 69G9974
5-9	69G8370	1	Solenoid, Paper Feed
5-10	11A7386	2	Spring, Pressure 06C/06F/071
5-11	11A7385	1	Bracket, Rear Paper Feed Pressure Roller 06C/06F/071
5-12	11A7389	1	Rear Paper Feed Pressure Roller 06C/06F/071
5-13	11A7387	2	Gears, Idler 16T 06C/06F/071
5-14	11A7388	1	Bracket, Idler Gear 06C/06F/071
5-15	11A7461	1	Gear, 16T Bottom Paper Feed

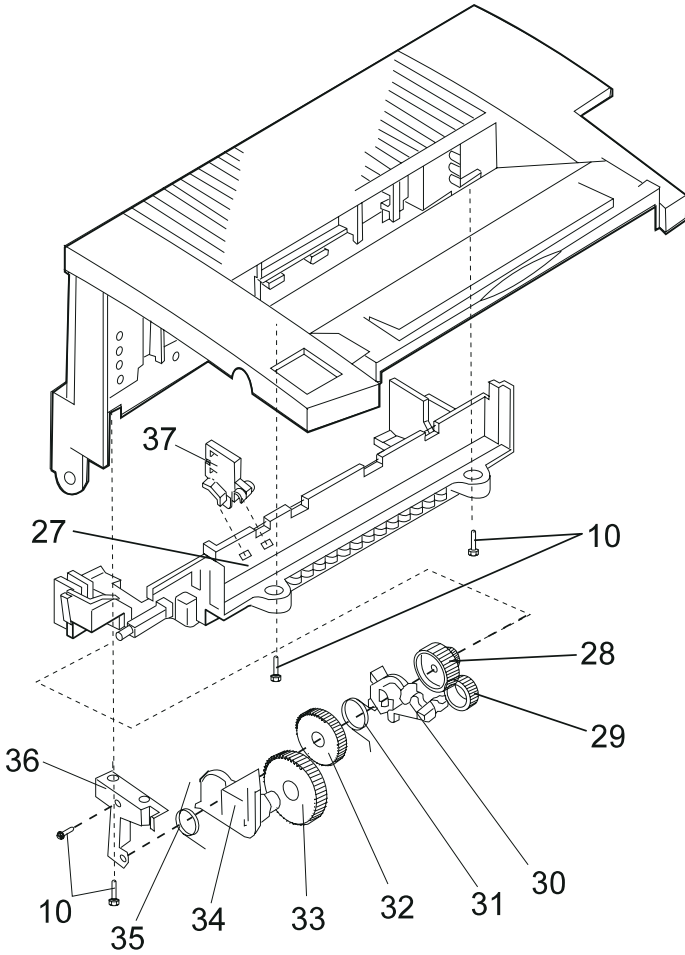
Assembly 6: Fuser



4026-0XX

Asm-Index	Part Number	Units	Description
6-1	69G8312	1	Fuser Assembly, 120 V ac 06A/06B/06D/070
6-1	11A7390	1	Fuser Assembly, 120 V ac 06C/06F/071
6-1	11A7455	1	Fuser Assembly, 100 V ac 06J
6-1	69G8313	1	Fuser Assembly, 220/230 V ac 06A/06B/06D/070
6-1	11A7391	1	Fuser Assembly, 220/230 V ac 06C/06F/071
6-2	69G8328	1	Lower Fuser Assembly 06A/06B/06D/06J/070
6-2	11A7392	1	Lower Fuser Assembly 06C/06F/071
6-3		1	Gear, 40T PP 69G9988
6-4	69G8371	1	Sensor, Paper Exit
6-4A	11A7408	1	Cable, Paper Exit Sensor
6-5	69G8332	1	Flag, Paper Exit Sensor
6-6	11A7423	1	Spring, Exit Sensor Flag
6-7	69G8333	3	Separator, Paper Hot Roll 06A/06B/06D/06J/070
6-7	11A7393	3	Separator, Paper Hot Roll 06C/06F/071
6-7A	11A7421	1	Separator Roll
6-8	69G8314	1	Thermal Fuse 06A/06B/06D/06J/070
6-8A	11A7394	1	Thermostat 06C/06F/071
6-9	69G8327	1	Terminal, Fuser Lamp Right Side 06A/06B/06D/06J/070
6-9	11A7395	1	Terminal, Thermostat/Fuser Lamp Right Side 06C/06F/071
6-10		9	Screw, Type 3704 PP 69G9974
6-11	69G8329	2	Support Plate, Thermal Fuse 06A/06B/06D/06J/071
6-12	69G9973	2	Spring, Backup Roll PP 69G9987
6-13	11A7422	2	Bracket, Backup Roll Spring
6-14	69G8315	1	Fuser Lamp, 120 V ac
6-14	69G8316	1	Fuser Lamp, 220/230 V ac
6-14	11A7456	1	Fuser Lamp, 100 V ac 06J
6-15	69G9694	2	G-Ring, Hot Roll
6-16	69G9695	2	Bearing, Hot Roll
6-17	69G9977	1	Hot Roll 06A/06B/06D/06J/070
6-17	11A7396	1	Hot Roll 06C/06F/071

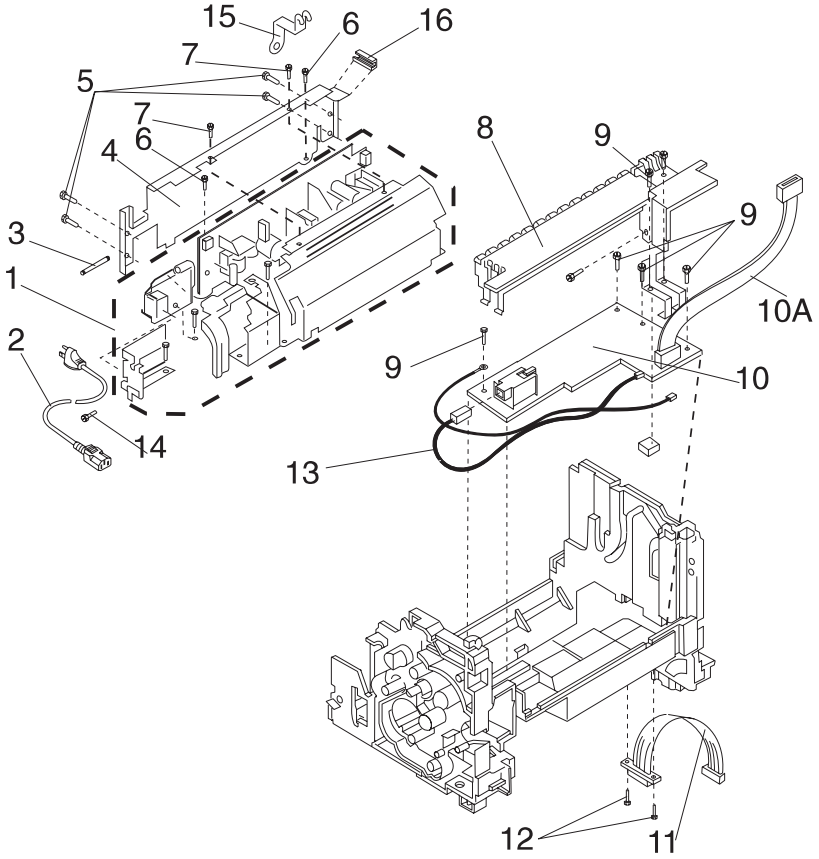
Assembly 6: Fuser (continued)



4026-0XX

Asm-Index	Part Number	Units	Description
6-18	69G9978	1	Backup Roll 06A/06B/06D/06J/070
6-18	11A7397	1	Backup Roll 06C/06F/071
6-19		4	Screw, Type 1305 PP 69G9974
6-20	69G8317	1	Thermistor 06A/06B/06D/06J/070
6-20	11A7398	1	Thermistor 06C/06F/071
6-21	69G8330	1	Separator, Paper
6-22		1	Screw, Type 3504 PP 69G9974
6-23		1	Gear, 30T PP 69G9988
6-24	69G8325	1	Cable, Fuser Lamp
6-25	69G8326	1	Terminal, Fuser Lamp Left side
6-26	69G9979	1	Terminal, Fuser Lamp/Thermal Fuse
6-26	11A7399	1	Terminal, Thermostat Left Side 06C/06F/071
6-27	69G8318	1	Upper Fuser Assembly
6-28		1	Gear, 21/38T PP 69G9988
6-29		1	Gear, 22T PP 69G9988
6-30	69G9697		Lever, Fuser Drive
6-31	69G8323	1	Spring, Inside PP 69G9987
6-32			Gear, 44T PP 69G9988
6-33		1	Gear, 25/50T PP 69G9988
6-34	69G9698		Arm, Fuser Drive
6-35	69G8324	1	Spring, Outside PP 69G9987
6-36	69G9699		Bracket, Fuser Drive
6-37	11A7431	1	Transfer Corona cleaning tool

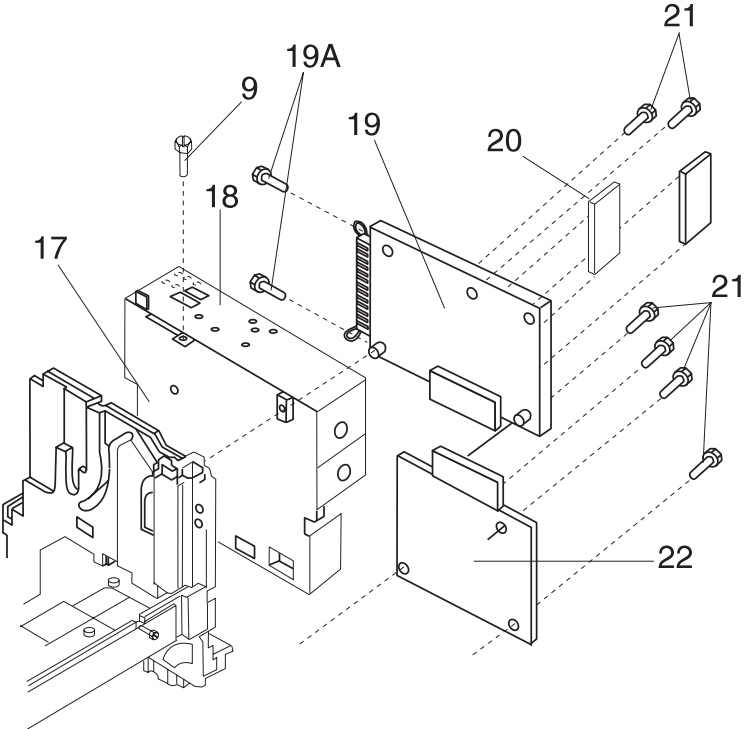
Assembly 7: Electronics



4026-0XX

Asm-Index	Part Number	Units	Description
7-1	69G8380	1	Power Supply, 120 V ac U.S.
7-1	69G8382	1	Power Supply, 220/230 V ac W.T.
7-1	11A7454	1	Power Supply, 100 V ac Japan
7-2	1339526	1	Power Cord; U.S., AP-Taiwan, Australia, Bolivia, Brazil, Canada, Columbia, Costa Rica, Ecuador, El Salvador, Guatemala, Honduras, Hong Kong, Mexico, Nicaragua, Panama, Peru (HV), Venezuela
7-2	1342536	1	Power Cord; Argentina, Paraguay, Uruguay
7-2	1339520	1	Power Cord; Austria, Belgium, Eastern Countries, Finland, France, Germany, Greece, Iceland, Netherlands, Norway, Portugal, Spain, Sweden, Turkey
7-2	1339519	1	Power Cord; Bahrain, Egypt, Iraq, Ireland, Jordan, Kuwait, Oman Qatar, Sudan, U.K., Yeman
7-2	1342534	1	Power Cord; Chile (HV)
7-2	1339525	1	Power Cord; Denmark
7-2	1339521	1	Power Cord; Israel
7-2	1339524	1	Power Cord; Italy
7-2	70G0496	1	Power Cord; Japan
7-2	1339517	1	Power Cord; Saudi Arabia
7-2	1339523	1	Power Cord; South Africa
7-2	1339522	1	Power Cord; Switzerland
7-3	69G8381	1	Fuse, 125 V ac, 5 A
7-3	69G9976	1	Fuse, 250 V ac, 3.15 A
7-3	11A7457	1	Fuse, 125 V ac, 6.3 A
7-4	69G9972	1	Rear Frame
7-5		4	Screw, Type 3504 PP 69G9974
7-6		2	Screw, Type 3907 PP 69G9974
7-7		1	Screw, Type 4307 PP 69G9974
7-8	69G8356	1	Cover, High Voltage Power Supply
7-9		4	Screw, Type 3704 PP 69G9974
7-10	69G8383	1	Board, HVPS 06A/06B/06D/06J/070
7-10	11A7400	1	Board, HVPS 06C/06F/071
7-10A	11A7410	1	Cable, HVPS to Engine Board
7-11	69G8385	1	Cable, 2nd Paper Drawer

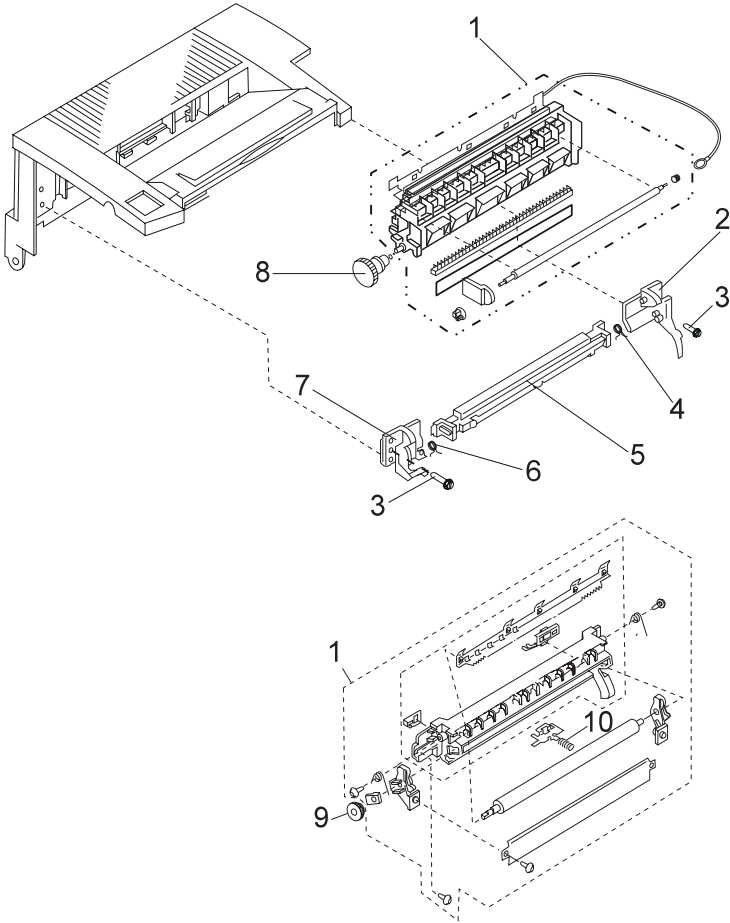
Assembly 7: Electronics (continued)



4026-0XX

Asm-Index	Part Number	Units	Description
7-15	11A7417	1	Terminal, Rear Frame Ground to Control Card Cage
7-12		2	Screw, shouldered cable mtg. PP 69G9974
7-13	11A7406	1	Cable, Transfer Assembly to HVPS
7-14		1	Screw, Type 3501 PP 69G9974
7-16	11A7418	1	Cover, LVPS Edge
7-17	69G9985	1	Controller Board Cage
7-18	69G8386	1	Controller Board Bracket W/O Cage
7-19	11A7439	1	Controller Board W/O ROM SIMM includes Print Registration Diskette 06A/06B/06C/06F/06J
7-19	69G8262	1	Controller Board W/O ROM SIMM includes Print Registration Diskette 06D/070/071
7-19A	11A7433	2	Screw, 4/40 Controller Board to Board Cage
7-20	69G9983	1	ROM SIMM 06A/06J
7-20	69G9984	1	ROM SIMM w/Flash 06B
7-20	11A7296	1	ROM SIMM 06C/070/071
7-20	11A7272	1	ROM SIMM 06D
7-20	11A7300	1	ROM SIMM w/Flash 06F
7-21		6	Screw, Type 3501 PP 69G9974
7-22	69G8384	1	Engine Board 06A/06B/06D/06J
7-22	11A7451	1	Engine Board 06C/06F
7-22	11A7762	1	Engine Board 070/071

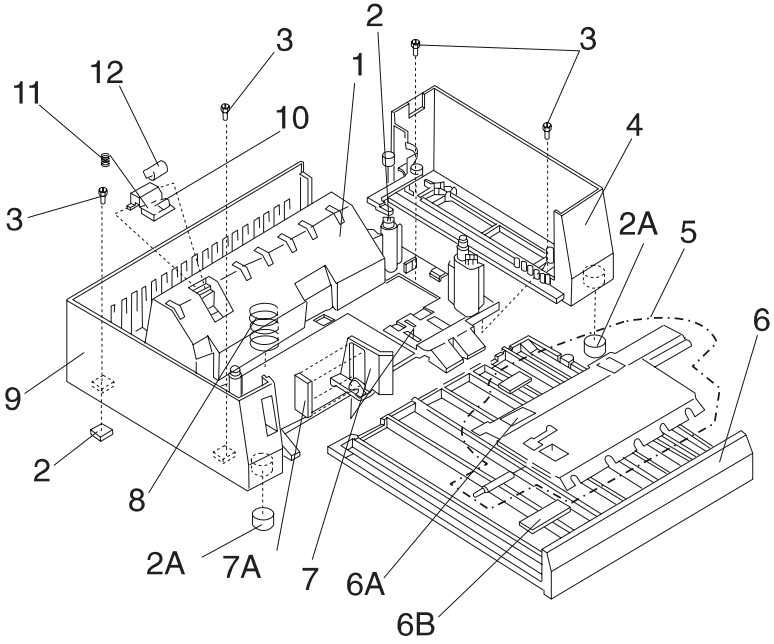
Assembly 8: Transfer Assembly



4026-0XX

Asm-Index	Part Number	Units	Description
8-1	69G8307	1	Transfer Assembly 06A/06B/06D/06J/070
8-1	11A7452	1	Transfer Assembly 06C/06F/071
8-2	69G8310	1	Right Transfer Frame Guide 06A/06B/06D/06J/070
8-3		2	Screw, Type 3704 PP 69G9974 06A/06B/06D/06J/070
8-4	69G8311	1	Spring, Right Transfer Guide 06A/06B/06D/06J/070 PP 69G9987
8-5	69G9968	1	Transfer Corona Assembly 06A/06B/06D/06J/070
8-6	69G9967	1	Spring, Left Transfer Guide 06A/06B/06D/06J/070 PP 69G9987
8-7	69G8308	1	Left Transfer Frame Guide 06A/06B/06D/06J/070
8-8	69G8309	1	Gear, 18/21T 06A/06B/06D/06J/070
8-9	11A7453	1	Gear, 18/21T 06C/06F/071
8-10	11A7383	1	Spring, Pressure 06C/06F/071

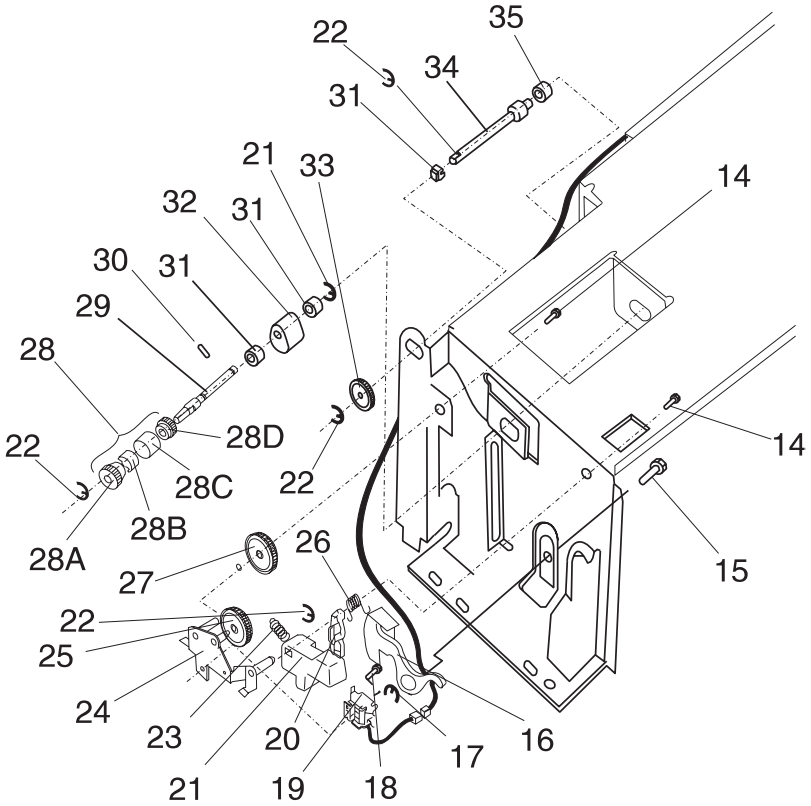
Assembly 9: Option - Second Paper Drawer



4026-0XX

Asm-Index	Part Number	Units	Description
9-1	69G9929	1	Frame, Base
9-2	69G9927	2	Foot, square rubber
9-2A	11A7416	2	Foot, round rubber
9-3		7	Screw, Type 3704 PP 11A7434
9-4	69G9926	1	Right Side Cover
9-5	69G9937	1	Lift Plate Assembly
9-6	69G9928	1	Tray, Paper
9-6A	11A7428	1	Pad
9-6B	11A7429	1	Label, Paper Set
9-7	69G9933	1	Adjustable Paper Guide
9-7A	11A7430	1	Regulating Plate, paper guide
9-8	69G9938	1	Spring, Lift Plate
9-9	69G9925	1	Left Side Cover
9-10	69G9931	1	Bracket, Roller
9-11		1	Spring, PP 11A7436
9-12	69G9930	1	Roller

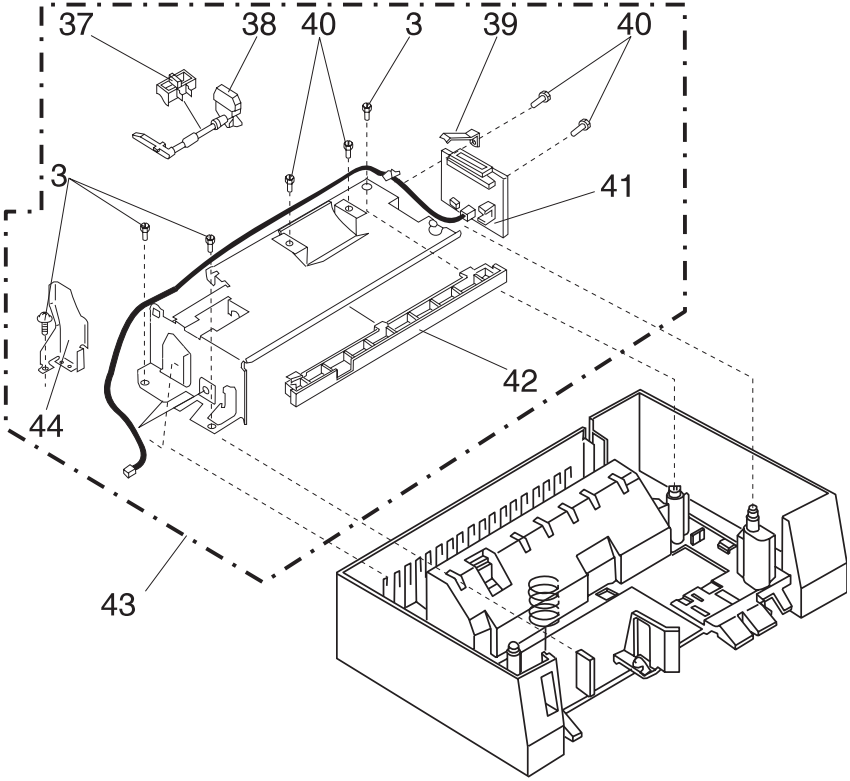
Assembly 9: Option - Second Paper Drawer (continued)



4026-0XX

Asm-Index	Part Number	Units	Description
9-14		2	Screw, Type 1305 PP 11A7434
9-15	69G9942	1	Stud, Solenoid Mounting
9-16	69G9965	1	Lever, Lift Plate Release
9-17		1	C-Clip, Type 9105 PP 69G9986
9-18		2	Screw, Type 3504 PP 11A7434
9-19	69G8370	1	Solenoid
9-20	69G9958	1	Lever, Knockoff
9-21	69G9963	1	Button, Lift Plate Release
9-22		5	C-Clip, Type 9107 PP 69G9986
9-23		1	Spring, Lift Plate Release Button PP 11A7436
9-24	69G9943	1	Bracket
9-25	69G9945	1	Gear, 13/45T
9-26		1	Spring, Torsion Release Lever PP 11A7436
9-27	69G9944	1	Gear, 41T
9-28	69G9946	1	Clutch Assembly, complete
9-28A	69G9947	1	Gear, 28T
9-28B		1	Spring, Clutch PP 11A7436
9-28C	69G9949	1	Ratchet
9-28D	11A7414	1	Collar, clutch
9-29	69G9955	1	Shaft, D-Roll
9-30	69G9991	1	Pin, D-Roll Shaft
9-31	69G9957	3	Bushing, D-Roll Shaft
9-32	69G9956	1	D-Roll
9-33	69G9953	1	Gear, 14T
9-34	69G9950	1	Paper Feed Shaft W/Roller
9-35	69G9951	1	Bushing, Paper Feed Shaft, Inside

Assembly 9: Option - Second Paper Drawer (continued)



4026-0XX

Asm-Index	Part Number	Units	Description
9-37	69G9959	1	Bracket, Sensor Flag
9-38	69G9960	1	Sensor Flag
9-39	69G9935	1	Ground Terminal
9-40		4	Screw, Type 3501 PP 11A7434
9-41	69G9934	1	Sensor/Interface Board
9-42	69G9940	1	Cover, Front.
9-43	69G9939	1	Paper Feed Assembly, complete
9-44	11A7427	1	Guide Plate

Assembly 10: Options

Asm-Index	Part Number	Units	Description
10	1364936	1	Memory SIMM, 1MB
10	1364906	1	Memory SIMM, 2MB
10	1364907	1	Memory SIMM, 4MB
10	1368706	1	Serial Adapter

Assembly 11: Miscellaneous

Asm-Index	Part Number	Units	Description
11	69G9986	1	Parts Packet, C-Clips for printer and Second Paper Drawer
11	69G9987	1	Parts Packet, Springs
11	69G9988	1	Parts Packet, Fuser Gears
11	69G9989	1	Parts Packet, Paper Feed Gears
11	69G9974	1	Parts Packet, Screws
11	11A7436	1	Parts Packet, Second Paper Drawer Springs
11	11A7434	1	Parts Packet, Second Paper Drawer Screws