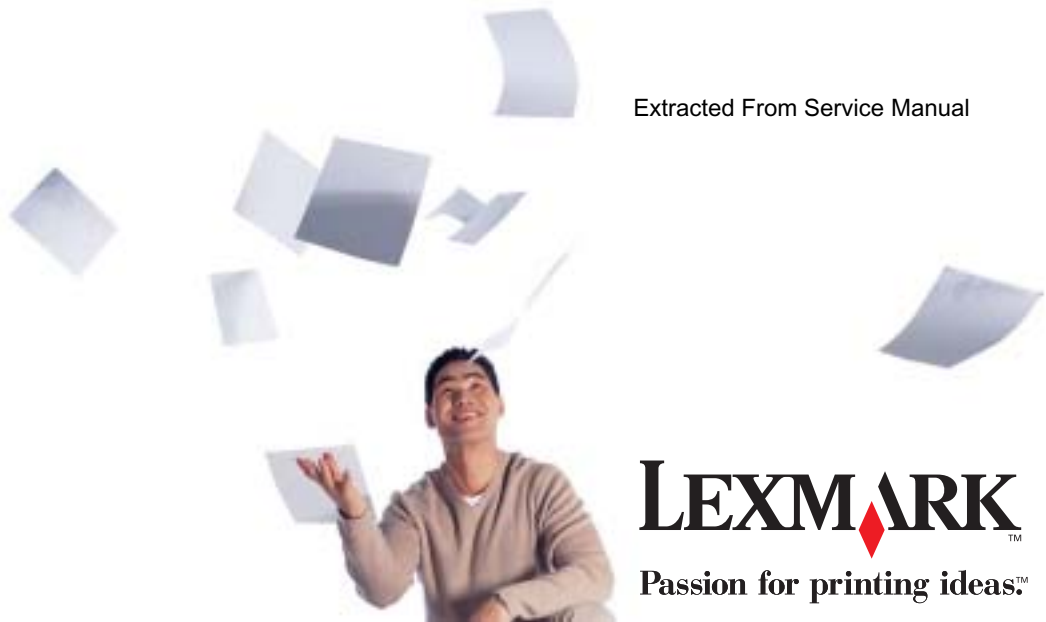


Parts Breakdown

Optra™ N Finisher Option

4040-FIN

Extracted From Service Manual



LEXMARK
Passion for printing ideas.™

4040 Finisher

Second Edition (November 1997)

The following paragraph does not apply to the United Kingdom or any country where such provisions are inconsistent with local law: LEXMARK INTERNATIONAL, INC. PROVIDES THIS PUBLICATION "AS IS" WITHOUT WARRANTY OF ANY KIND, EITHER EXPRESS OR IMPLIED, INCLUDING, BUT NOT LIMITED TO, THE IMPLIED WARRANTIES OF MERCHANTABILITY OR FITNESS FOR A PARTICULAR PURPOSE. Some states do not allow disclaimer of express or implied warranties in certain transactions, therefore, this statement may not apply to you.

This publication could include technical inaccuracies or typographical errors. Changes are periodically made to the information herein; these changes will be incorporated in later editions of the publication. Improvements or changes in the products or the programs described in this publication may be made at any time. Publications are not stocked at the address given below; requests for publications should be made to your point of purchase.

Comments may be addressed to Lexmark International, Inc., Department D22A/035-3, 740 New Circle Road NW, Lexington, Kentucky 40550, U.S.A. Lexmark may use or distribute any of the information you supply in any way it believes appropriate without incurring any obligation to you.

Lexmark and Optra are trademarks of Lexmark International, Inc.

Other trademarks are the property of their respective owners.

© Copyright Lexmark International, Inc. 1996, 1997. All Rights Reserved.

UNITED STATES GOVERNMENT RESTRICTED RIGHTS

This software and documentation are provided with RESTRICTED RIGHTS. Use, duplication or disclosure by the Government is subject to restrictions as set forth in subparagraph (c)(1)(ii) of the Rights in Technical Data and Computer Software clause at DFARS 252.227-7013 and in applicable FAR provisions: Lexmark International, Inc., Lexington, KY 40550.

5. Parts Catalog

How to Use This Parts Catalog

- **SIMILAR ASSEMBLIES:** If two assemblies contain a majority of identical parts, they are broken down on the same list. Common parts are shown by one index number. Parts peculiar to one or the other of the assemblies are listed separately and identified by description.
- **AR:** (As Required) in the Units column indicates that the quantity is not the same for all machines.
- **NP:** (Non-Procurable) in the Units column indicates that the part is non-procurable and that the individual parts or the next higher assembly should be ordered.
- **NR:** (Not Recommended) in the Units column indicates that the part is procurable but not recommended for field replacement, and that the next higher assembly should be ordered.
- **R:** (Restricted) in the Units column indicates that the part has a restricted availability.
- **NS:** (Not Shown) in the Asm-Index column indicates that the part is procurable but is not pictured in the illustration.
- **PP:** (Parts Packet) in the Description column indicates that the part is contained in a parts packet.
- A part reference within a circle indicates an assembly or a bill-of-material. An assembly is complete. A bill-of-material contains unassembled parts.
- **INDENTURE:** The indenture is marked by a series of dots located before the parts description. The indenture indicates the relationship of a part to the next higher assembly. For example:

INDENTURE RELATIONSHIP OF PARTS

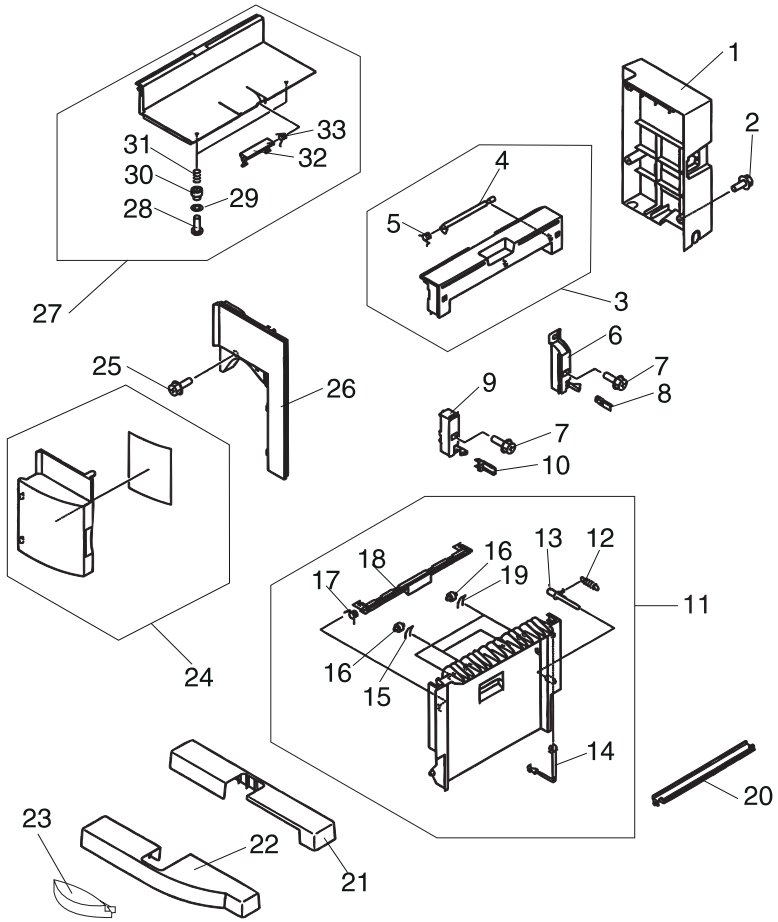
(No dot) MAIN ASSEMBLY

(One dot) ● Detail parts or subassembly of a main assembly

(Two dot) ●● Detail part or subassembly of a one-dot subassembly

4040 Finisher

Assembly 1: External Covers

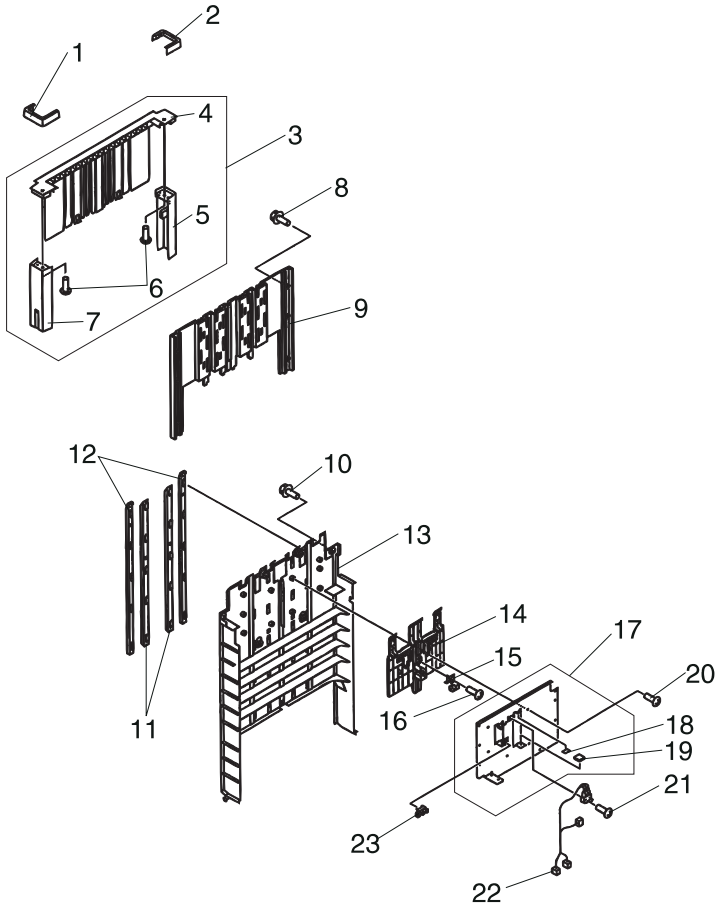


4040 Finisher

Ref	Part Number	Units	Description
1	11D0017	1	Cover, Rear
2		3	Screw, PP 11D0300
3	11D0013	1	Top Cover Assembly
4	11D0015	1	• Flag, Sensor
5		1	• Spring, Torsion, PP 11D0302
6	11D0023	1	Latch, Rear
7		1	Screw, PP 11D0300
8	11D0024	1	Stop, Latch, Rear
9	11D0021	1	Latch, Front
10	11D0022	1	Stop, Latch, Front
11	11D0025	1	Right Guide Assembly
12		1	• Spring, Torsion, PP 11D0301
13		1	• Flag, Sensor, PP 11D0302
14		1	• Hinge, PP 11D0302
15	11D0032	1	• Spring, Torsion
16	11D0303	1	• Roller A
17		1	• Spring, Torsion, PP 11D0301
18	11D0027	1	• Latch, Right Guide
19	11D0030	1	• Spring, Torsion
20	11D0034	1	Guide, Delivery
21	11D0035	1	Cover, Lower, Rear
22	11D0036	1	Cover, Lower, Front
23	11D0306	1	Cover, Caster
24	11D0020	1	Cover, Door
25		3	Screw, PP 11D0300
26	11D0019	1	Cover, Front
27	11D0005	1	Top Door Assembly
28		1	• Screw, PP 11D0300
29		2	• Washer, PP 11D0302
30	11D0011	1	• Spacer, Pressure
31		1	• Spring, Torsion, PP 11D0302
32	11D0010	1	• Latch
33		1	• Spring, Torsion, PP 11D0301

4040 Finisher

Assembly 2: External Covers (Cont)

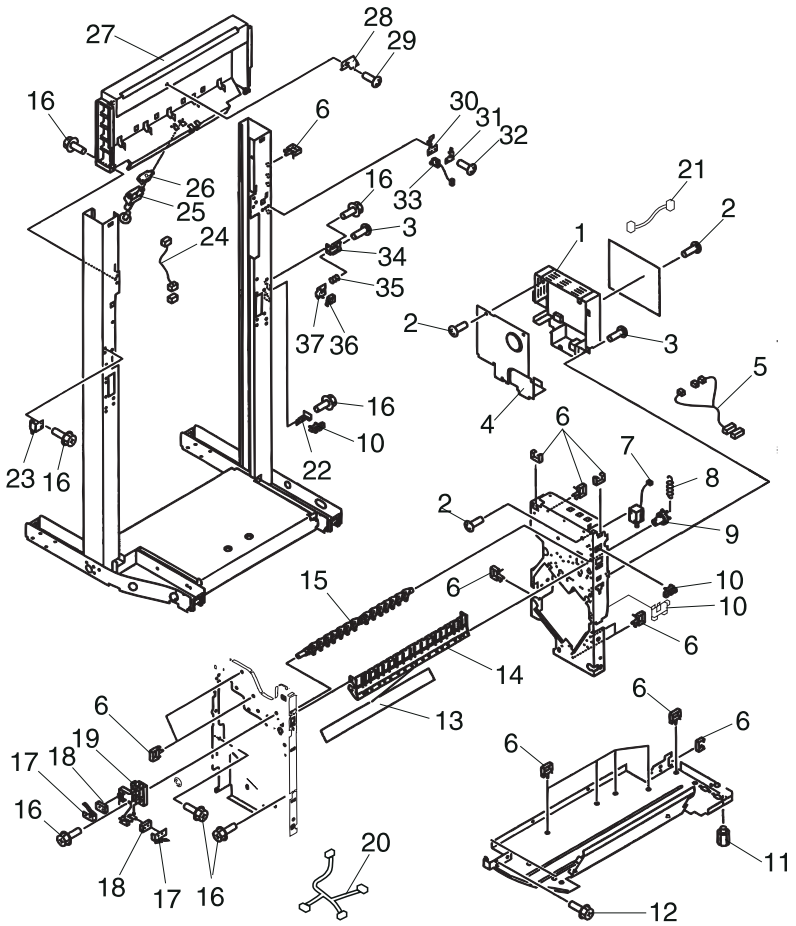


4040 Finisher

Ref	Part Number	Units	Description
1	11D0038	1	Cap, Cover, Front
2	11D0037	1	Cap, Cover, Rear
3	11D0039	1	Slide, Guide Assembly
4	11D0040	1	• Guide, Slide
5	11D0042	1	• Cover, Slide, Rear
6		2	• Screw, PP11D0300
7	11D0041	1	Cover, Slide, Front
8		6	Screw, PP 11D0300
9	11D0044	1	Guide, Hurdle, Top
10		6	Screw, PP11D0300
11	11D0047	2	Plate, Hurdle 1
12	11D0046	1	Plate, Hurdle 2
13	11D0048	1	Guide, Hurdle, Lower
14	11D0050	1	Shutter, Hurdle
15	11D0051	1	Spring, Leaf
16		1	Screw, PP 11D0300
17	11D0053	1	Plate, Shutter
18	11D0054	1	Damper, Shutter
19	11D0055	1	Damper
20		11	Screw, PP 11D0300
21		1	Screw, PP 11D0300
22	11D0057	1	Cable Shutter, MS4
23	11D0071	1	Photo Interrupter, PI-5, Shutter Open/Close Detection Sensor

4040 Finisher

Assembly 3: Stapler, Main Body

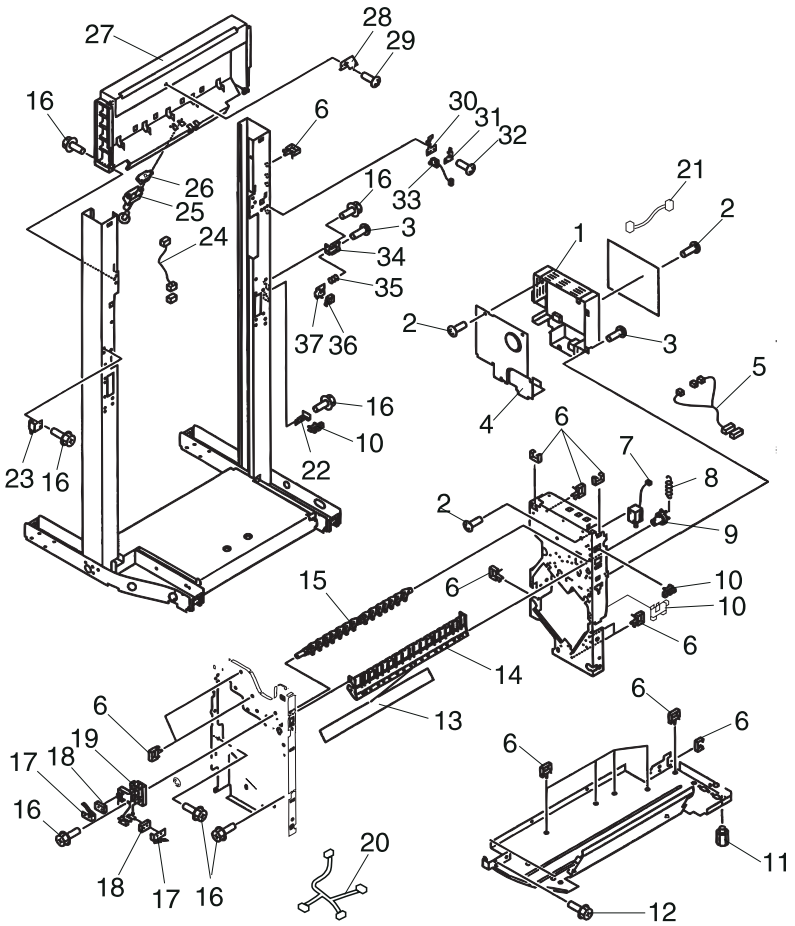


4040 Finisher

Ref	Part Number	Units	Description
1	11D0076	1	Power Supply
2		4	Screw, PP 11D0300
3		2	Screw, PP 11D0300
4	11D0079	1	Cover, Power Supply
5	11D0080	1	Cable, Sensor
6		1	Clamp, Cord, PP 11D0302
7	11D0084	1	Solenoid, SL8
8		1	Spring, Tension, PP 11D0301
9	11D0086	1	Arm, Deflector
10	11D0071	1	Photo Interrupter, PI-1, PI-8, PI-15
11		4	Thumb Screws, PP 11D0300
12		1	Screw, PP 11D0300
13	11D0089	1	Paper Detector Strip
14	11D0090	1	Guide, Paper Feed
15	11D0092	1	Deflector
16		1	Screw, PP 11D0300
17	11D0094	1	Spring, Leaf
18	11D0095	1	Microswitch, MS1, MS7
19	11D0096	1	Cover, Switch
20	11D0307	1	Cable, Switch
21	11D0308	1	Cable, Power Supply
22	11D0070	1	Mount, Sensor
23	11D0075	1	Hinge, Door
24	11D0072	1	Cable, Sensor
25	11D0073	1	Duct, Sensor
26	11D0074	1	Sensor, Paper Height, PS1, Distance Detecting Sensor
27	11D0059	1	Mount, Slide
28	11D0060	1	Spring, Leaf
29		1	Screw, PP 11D0300
30	11D0062	1	Spring, Leaf
31	11D0063	1	Holder, Sensor
32		1	Screw, PP 11D0300
33	11D0064	1	Microswitch, MS5, Tray Upper Limit Detection Switch
34	11D0066	1	Bracket
35	11D0067	1	Spring, Compression

4040 Finisher

Assembly 3: Stapler, Main Body (Cont)

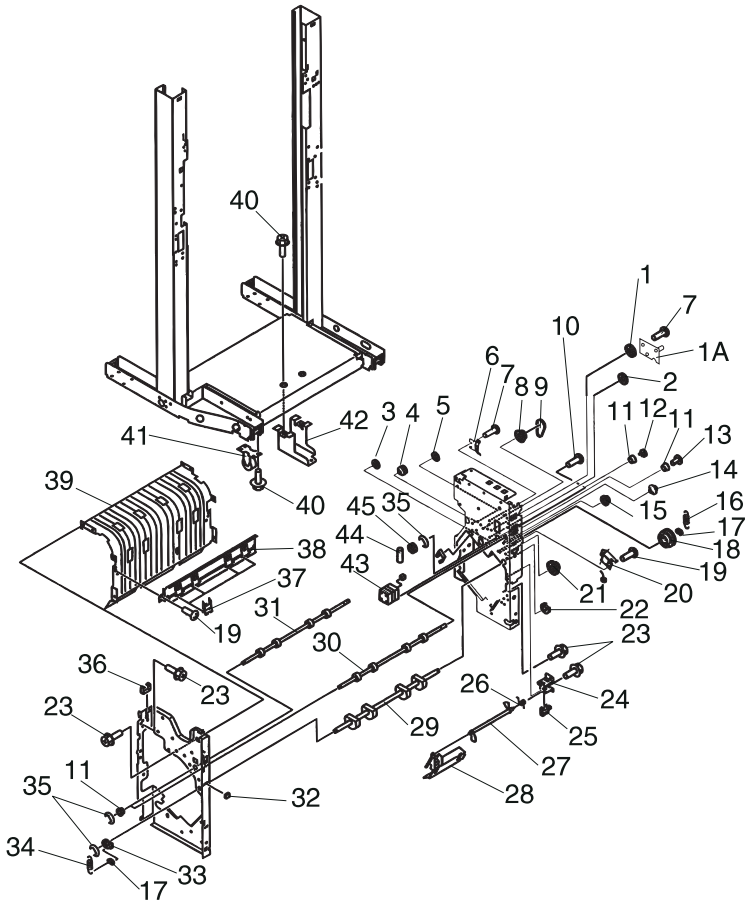


4040 Finisher

Ref	Part Number	Units	Description
36	11D0068	1	Microswitch Rail, Tray Lift, MS3
37	11D0069	1	Holder
NS	11D0343	1	Fuse, Power Supply

4040 Finisher

Assembly 4: Stapler, Main Body

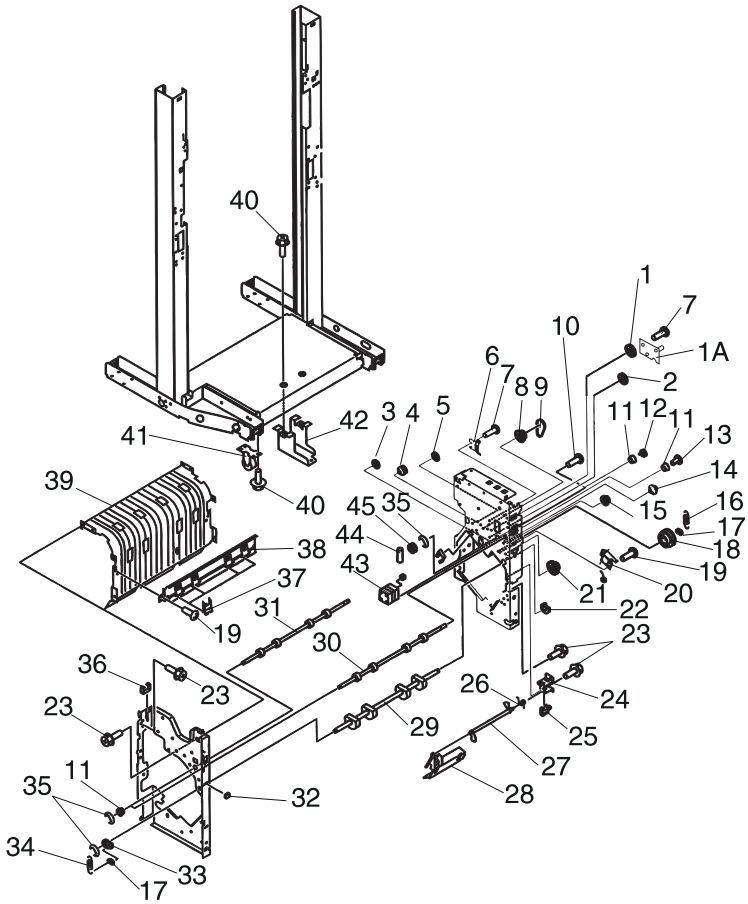


4040 Finisher

Ref	Part Number	Units	Description
1	11D0311	1	Gear, 20T/42T
1A	11D0309	1	Plate, Shaft
2	11D0103	1	Gear, 20T/36T
3	11D0108	1	Gear, 26T
4	11D0107	1	Gear, 18T/24T
5	11D0109	1	Gear, 28T
6	11D0310	1	Plate, Grounding
7		4	Screws, PP 11D0300
8	11D0100	1	Gear, 27T/Pulley, 48T
9	11D0099	1	Belt, Timing
10		1	Screw, PP 11D0300
11	11D0166	2	Bushing
12	11D0313	1	Gear 18T
13	11D0312	1	Gear, 22T/42T
14	11D0104	1	Gear, 15T/27T
15	11D0105	1	Gear, 16T/24T
16		1	Spring, Tension, PP 11D0301
17		1	Collar, Spring, PP 11D0302
18	11D0110	1	Gear, 45T/55T
19		1	Screw, PP 11D0302
20	11D0114	1	Solenoid, Reversing, SL7
21	11D0106	1	Gear, 17T/46T
22	11D0113	1	Gear, 30T
23		2	Screw, PP 11D0300
24	11D0119	1	Mount, Sensor
25	11D0071	1	Photo Interrupter, PI-2
26		1	Spring, Torsion, PP 11D0301
27	11D0121	1	Flag, Sensor
28	11D0122	1	Guide, Cable
29	11D0123	1	Shaft, Roller, Reversing
30	11D0124	1	Shaft, Roller, Paper Feed 1
31	11D0125	1	Shaft, Roller, Paper Feed 2
32	11D0133	1	Hook, Reversing Roller
33	11D0130	1	Arm, Reverse
34		1	Spring, PP 11D0301
35		1	C-Clip, PP 11D0302
36		1	Clamp, PP 11D0302

4040 Finisher

Assembly 4: Stapler, Main Body (Cont)

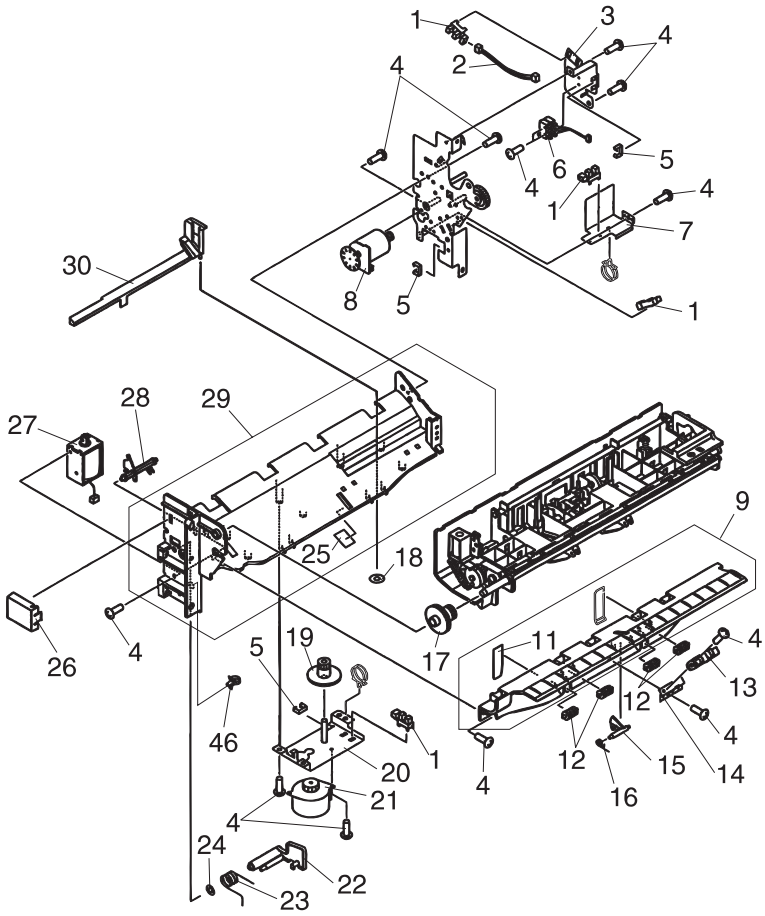


4040 Finisher

Ref	Part Number	Units	Description
37	11D0127	1	Cover, Spring
38	11D0126	1	Guide, Reverse
39	11D0128	1	Guide, Center
40		2	Screw, PP 11D0300
41	11D0134	1	Caster
42	11D0135	1	Mount, Rail
43	11D0118	1	Motor, Paper Feed, M1
44		1	Pin, Parallel, PP 11D0302
45	11D0117	1	Gear, 20T

4040 Finisher

Assembly 5: Stapler Tray, Main Body

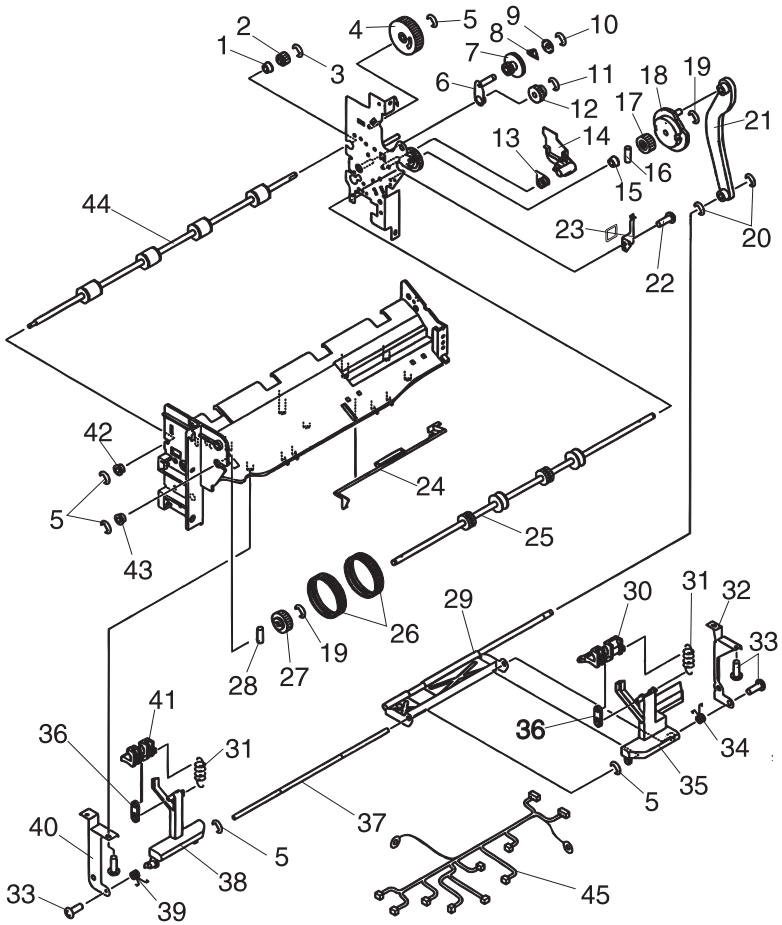


4040 Finisher

Ref	Part Number	Units	Description
1	11D0071	1	Photo Interrupter, PI-4, PI-6, PI-10, PI-18
2	11D0136	1	Cable, Sensor
3	11D0137	1	Plate, Swing
4		6	Screws, PP 11D0300
5		1	Clamp, Cord, PP 11D0302
6	11D0139	1	Cable with Sensor, MS2, MS6
7	11D0141	1	Mount, Sensor
8	11D0142	1	Motor, Paper Delivery Motor, M3
9	11D0143	1	Guide, Staple
11	11D0145	1	Paper Guide Strip
12	11D0146	1	Roller, Staple Tray
13	11D0151	1	Photo Interrupter, PI-3
14	11D0150	1	Mount, Sensor
15	11D0148	1	Flag, Sensor
16		1	Spring, Torsion, PP 11D0301
17	11D0299	1	Gear, 15T/32T
18		1	Washer, PP 11D0302
19	11D0165	1	Gear, 12T/36T
20	11D0163	1	Mount, Motor
21	11D0162	1	Motor, Alignment Plarte Shift, M2
22	11D0161	1	Shutter
23	11D0160	1	Spring, Torsion
24	11D0159	1	Shim
25	11D0155	1	Seal
26	11D0158	1	Cover, Cable
27	11D0157	1	Solenoid, Standard Plate Withdraw, SL6
28	11D0156	1	Lever, Shutter
29	11D0154	1	Tray, Stapler
30	11D0153	1	Plate, Paper Adjusting

4040 Finisher

Assembly 6: Stapler Tray, Main Body (Cont)

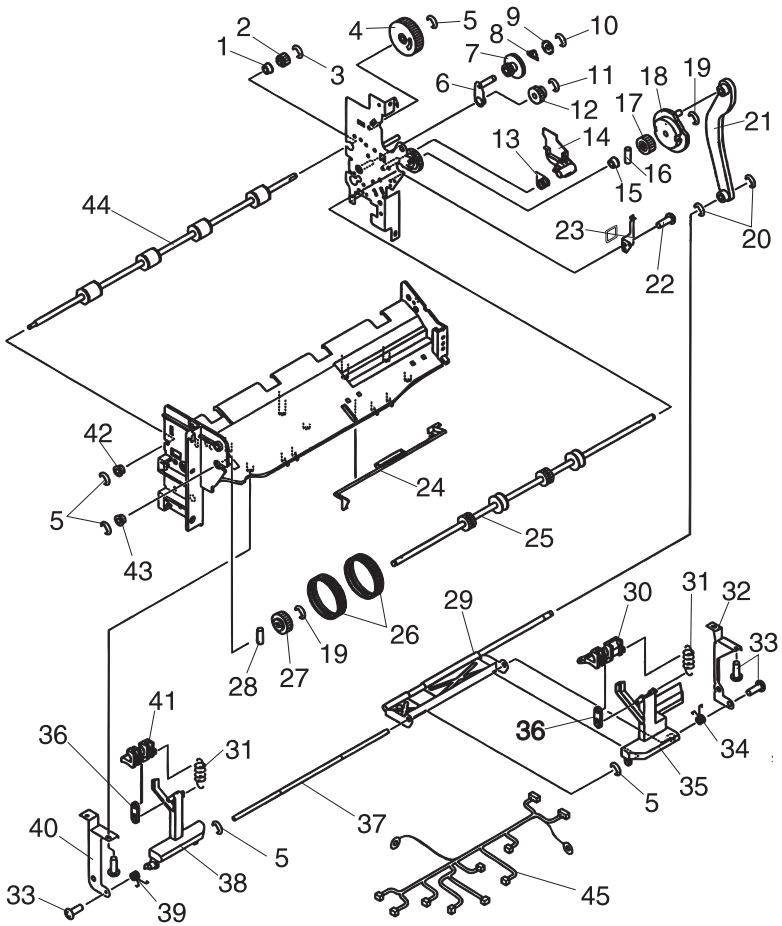


4040 Finisher

Ref	Part Number	Units	Description
1	11D0166	1	Bearing, Brass
2	11D0167	1	Gear, 15T
3		2	C-Clip, PP 11D0302
4	11D0169	1	Gear, 50T
5		1	C-Clip, PP 11D0302
6	11D0171	1	Lever, Swing
7	11D0172	1	Gear, 15T/34T
8	11D0173	1	Spring, Leaf
9	11D0174	1	Washer
10		1	C-Clip, PP 11D0302
11		1	C-Clip, PP 11D0302
12	11D0177	1	Gear, 15T/23T
13	11D0178	1	Spring, Torsion
14	11D0179	1	Plate, Gear
15	11D0166	1	Bushing
16		1	Pin, Parallel, PP 11D0302
17	11D0180	1	Gear, 18T
18	11D0181	1	Cam, Shutter
19		1	C-Clip, PP 11D0302
20		2	C-Clip, PP 11D0302
21	11D0184	1	Link, Shutter B
22		1	Screw, PP 11D0300
23	11D0186	1	Spring, Leaf
24	11D0187	1	Lever, Sensor
25	11D0188	1	Roller 1, Delivery
26	11D0189	1	Belt, Delivery
27	11D0320	1	Gear, 22T
28		1	Pin, Parallel, PP 11D0302
29	11D0201	1	Link, Shutter A
30	11D0202	1	Stop, Rear
31		2	Spring, Tension, PP 11D0301
32	11D0321	1	Plate, Support, Rear
33		4	Screw, PP 11D0300
34	11D0205	1	Spring, Torsion
35	11D0198	1	Lever, Stop, Rear
36	11D0200	1	Link
37	11D0203	1	Crossbar, Stop

4040 Finisher

Assembly 6: Stapler Tray, Main Body (Cont)

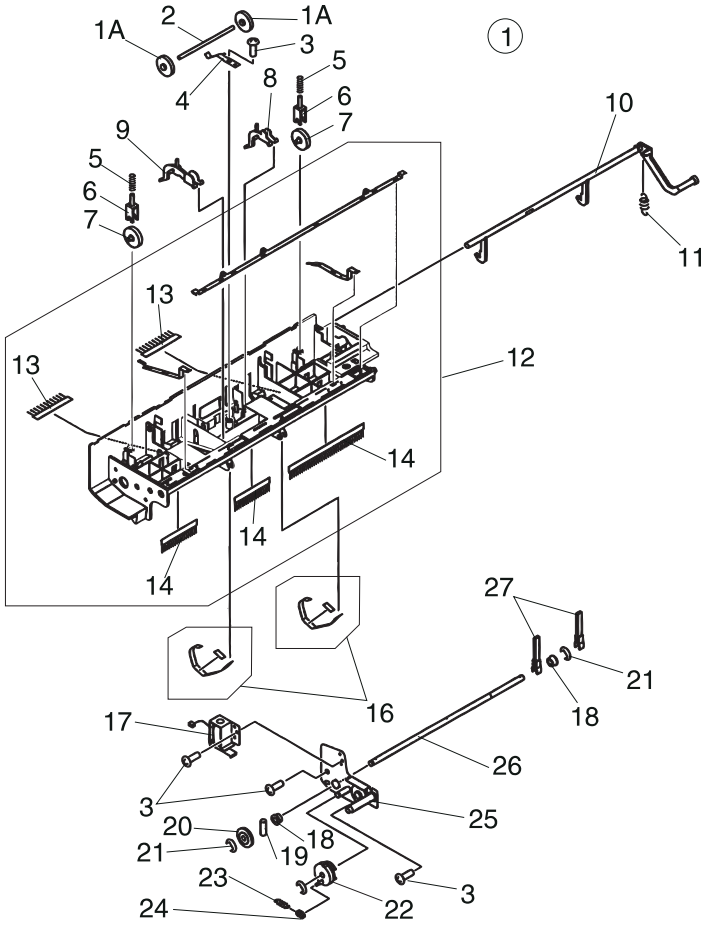


4040 Finisher

Ref	Part Number	Units	Description
38	11D0204	1	Lever, Stop, Front
39	11D0205	1	Spring, Torsion
40	11D0206	1	Plate, Support, Front
41	11D0207	1	Stop, Front
42	11D0193	1	Bearing
43	11D0191	1	Bearing
44	11D0194	1	Shaft, Delivery Roller 2
45	11D0318	1	Cable, Swing Guide
NS	11D0319	1	Cable Clip, Swing Guide Cable

4040 Finisher

Assembly 7: Swing Guide Assembly

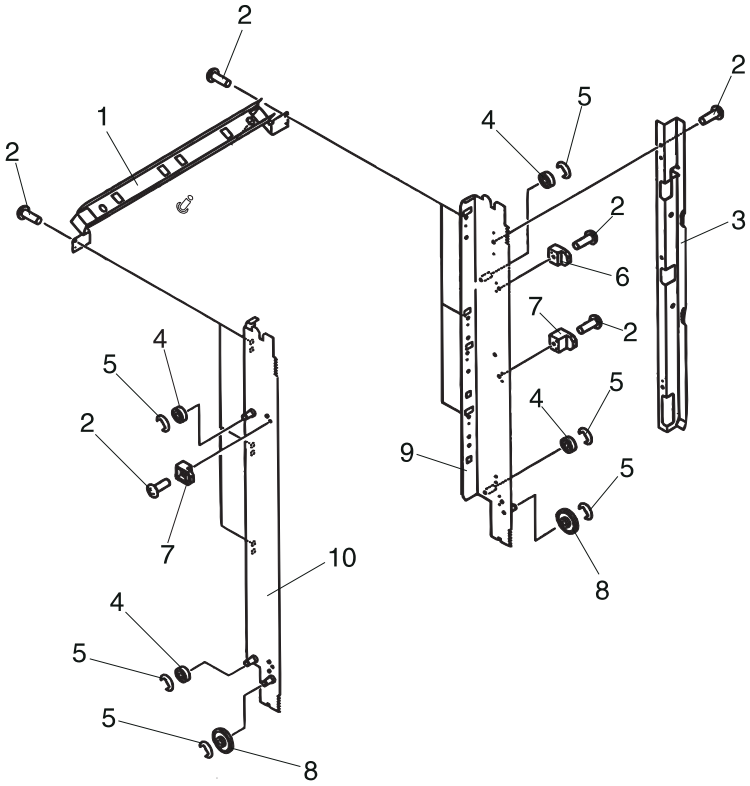


4040 Finisher

Ref	Part Number	Units	Description
1	11D0304	1	Swing Guide Assembly
1A	11D0208	1	Roller, Center Swing Guide
2	11D0209	1	Shaft, Roller, Center Swing Guide
3		3	Screw, PP 11D0301
4	11D0212	1	Spring, Retainer
5		2	Spring, PP 11D0302
6	11D0215	1	Holder, Roller
7	11D0216	1	Roller, Outside Swing Guide
8	11D0211	1	Arm, Stop, Rear
9	11D0213	1	Arm, Stop, Front
10	11D0217	1	Lever, Swing
11		1	Spring, Tension, PP 11D0301
12	11D0219	1	Guide, Swing
13	11D0220	1	Static Eliminator
14	11D0221	2	Static Eliminator
15	11D0222	1	Static Eliminator
16	11D0223	1	Plate, Paper Pressure
17	11D0114	1	Solenoid, Paddle Drive, SL5
18	11D0166	1	Bushing
19		1	Pin, Parallel, PP 11D0302
20	11D0224	1	Gear, 21T
21		3	C-Clip, PP 11D0302
22	11D0225	1	Gear, 21T
23		1	Spring, Torsion, PP 11D0301
24		1	Collar, Spring, PP 11D0302
25	11D0226	1	Plate, Drive
26	11D0227	1	Shaft, Swing Guide
27	11D0228	1	Shaft, Reversing

4040 Finisher

Assembly 8: Stapler Tray

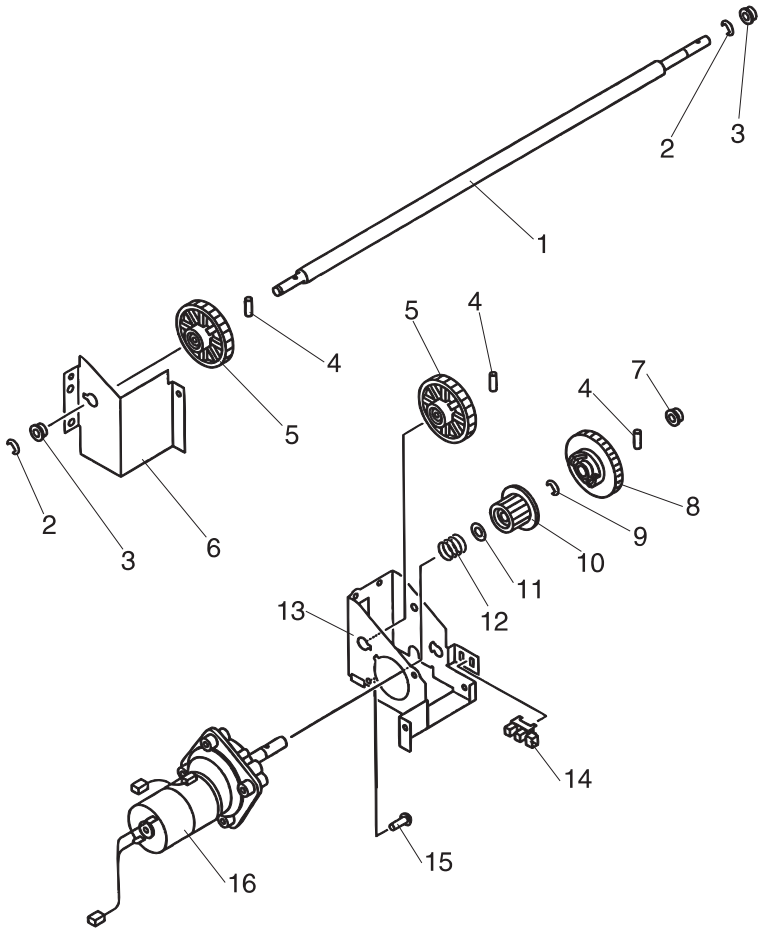


4040 Finisher

Ref	Part Number	Units	Description
1	11D0232	1	Rail, Tray
2		3	Screw, PP 11D0300
3	11D0238	1	Plate, Guide
4	11D0233	1	Roller, Stapler Tray Frame
5		4	C-Clip, PP 11D0302
6	11D0234	1	Guide, Slide, Top
7	11D0235	1	Guide, Slide, Bottom
8	11D0240	1	Roller, Bottom, Stapler Tray Frame
9	11D0237	1	Frame, Tray, Rear
10	11D0236	1	Frame, Tray, Front

4040 Finisher

Assembly 9: Tray Drive

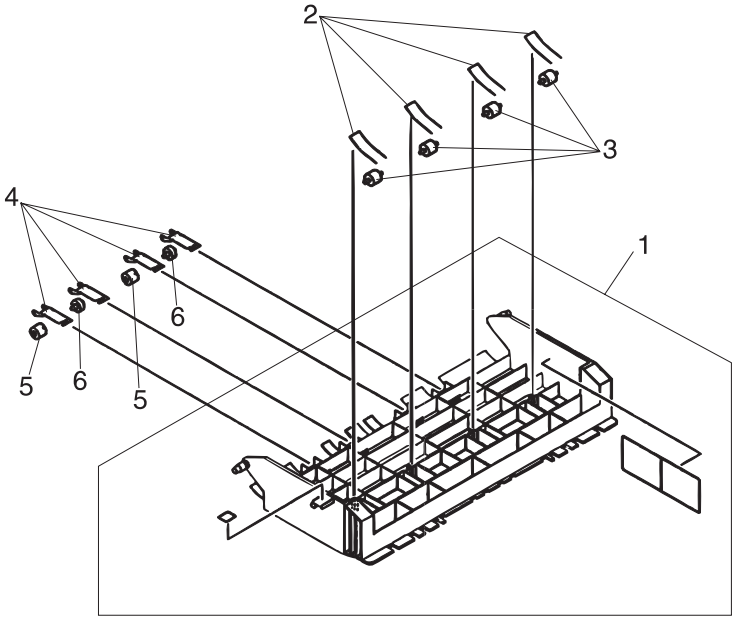


4040 Finisher

Ref	Part Number	Units	Description
1	11D0241	1	Shaft, Tray
2		2	C-Clip, PP 11D0302
3	11D0166	1	Bushing
4		1	Pin, PP 11D0302
5	11D0245	1	Gear, 48T
6	11D0243	1	Bracket, Drive, Small
7	11D0246	1	Bushing
8	11D0247	1	Cam
9		1	C-Clip, PP 11D0302
10	11D0249	1	Gear, 22T
11		1	Washer, PP 11D0302
12	11D0251	1	Spring, Compression
13	11D0252	1	Bracket, Drive
14	11D0071	1	Photo Interrupter, PI-9
15		2	Screw, PP 11D0300
16	11D0254	1	Motor, Tray Elevator, M5

4040 Finisher

Assembly 10: Upper Feeder

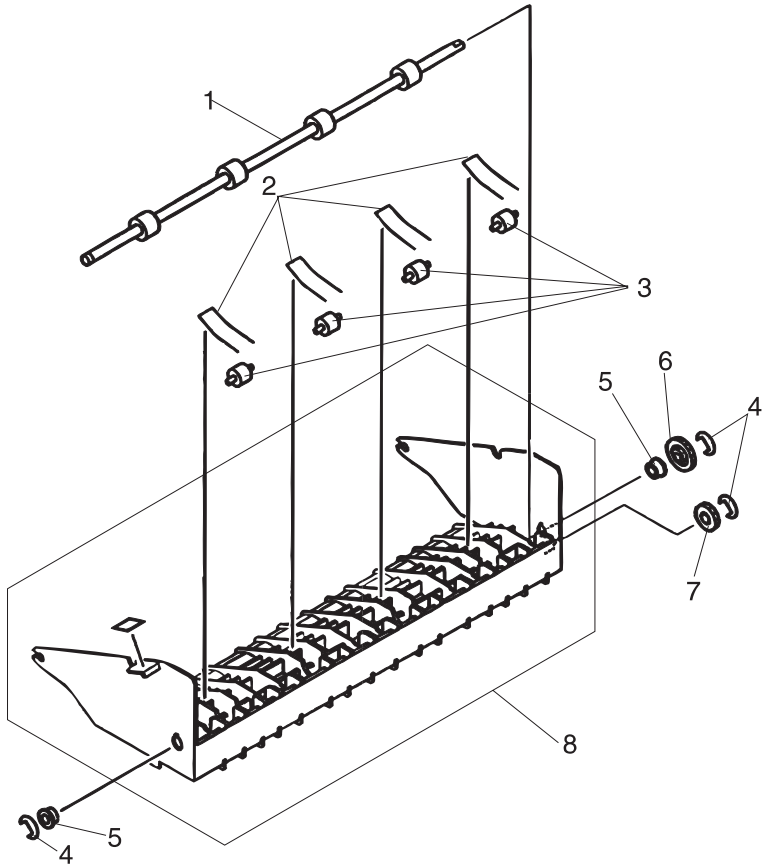


4040 Finisher

Ref	Part Number	Units	Description
1	11D0255	1	Guide, Upper (labeled 1)
2	11D0259	1	Spring, Torsion
3	11D0303	4	Roller A
4	11D0257	1	Spring, Roller Holder
5	11D0256	1	Roller B
6	11D0258	1	Roller C

4040 Finisher

Assembly 11: Center Guide

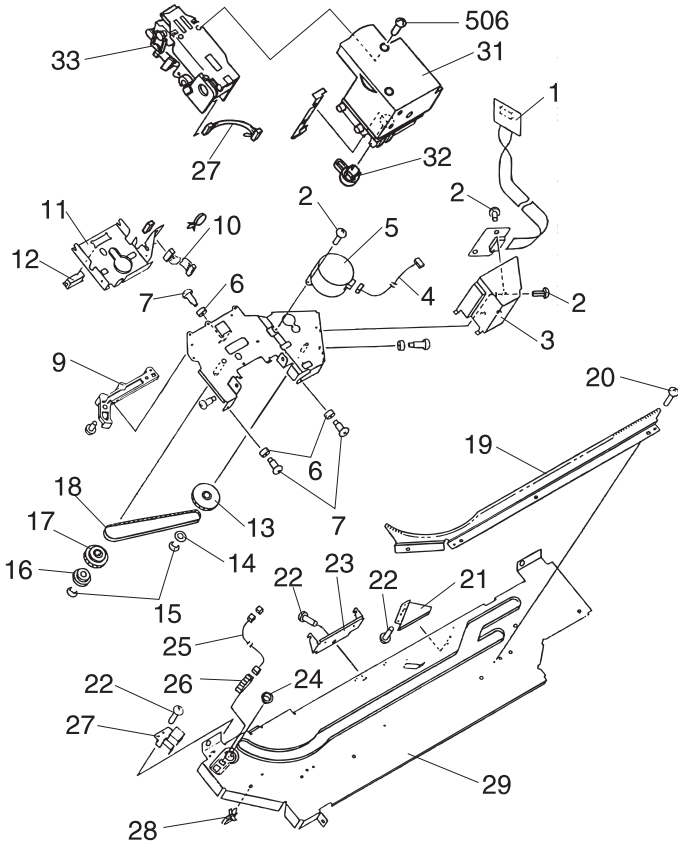


4040 Finisher

Ref	Part Number	Units	Description
1	11D0260	1	Shaft, Stapler Roller
2	11D0259	4	Spring, Torsion
3	11D0303	4	Roller, A
4		2	C-Clip, PP 11D0302
5	11D0191	1	Bushing
6	11D0261	1	Gear, 20T
7	11D0262	1	Gear, 16T
8	11D0263	1	Guide, Center (labeled 2)

4040 Finisher

Assembly 12: Stapler

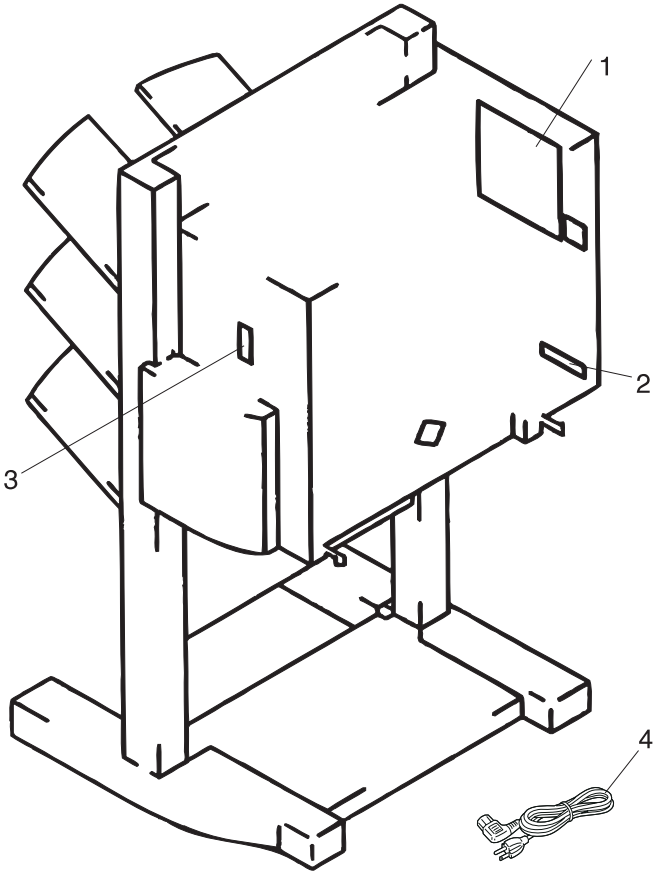


4040 Finisher

Ref	Part Number	Units	Description
1	11D0264	1	Cable, Flat
2		3	Screw, PP 11D0300
3	11D0267	1	Cover
4	11D0268	1	Cable, Stapler
5	11D0269	1	Motor, Stapler Shift, M4
6	11D0270	1	Roller
7	11D0271	1	Screw, Stepped
9	11D0273	1	Cam, Stop
10	11D0274	1	Cable, Stapler
11	11D0275	1	Mount, Stapler
12	11D0276	1	Catch, Magnet
13	11D0277	1	Gear, 44T/Pulley, 16T
14	11D0278	1	Flange, Pulley
15		1	C-Clip, PP 11D0302
16	11D0281	1	Roller
17	11D0282	1	Gear, 16T/Pulley, 40T
18	11D0283	1	Belt, Timing
19	11D0284	1	Plate, Rack
20		5	Screw, PP 11D0302
21	11D0286	1	Plate, Guide
22		1	Screw, PP 11D0300
23	11D0287	1	Bracket, Staple
24	11D0288	1	Grommet, Cord
25	11D0289	1	Cable, Stapler
26	11D0071	1	Photo Interrupter, PI-7
27	11D0290	1	Cover, Sensor
28		1	Cable Tie, PP 11D0302
29	11D0293	1	Guide, Stapler
30	11D0347	1	Cable, Stapler
31	11D0345	1	Cover, Stapler
32	11D0346	1	Lever, Lock
33	11D0344	1	Stapler Assembly
34		2	Screws, PP 11D0300

4040 Finisher

Assembly 13: Electronic Boards and Power Cords

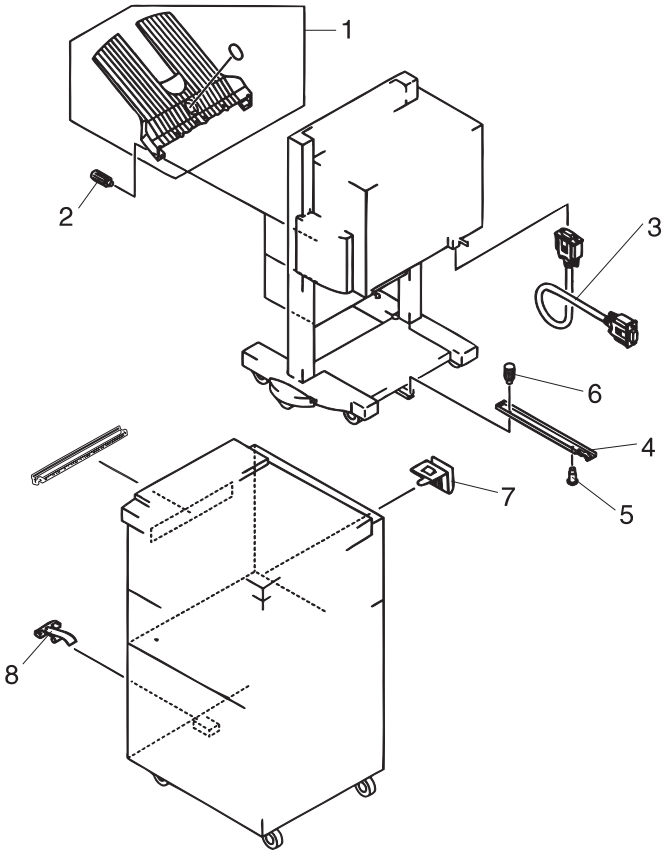


4040 Finisher

Ref	Part Number	Units	Description
1	11D0294	1	Finisher Driver Board
2	11D0296	1	Interface Board
3	11D0298	1	Switch Board, Stapler
4	11D0328	1	Power Cord, U.S, Canada, APG (LV), LAD (LV)
4	11D0333	1	Power Cord, Denmark
4	11D0334	1	Power Cord, Europe, England
4	11D0334	1	Power Cord, France
4	11D0334	1	Power Cord, Germany
4	11D0335	1	Power Cord, Italy
4	11D0334	1	Power Cord, Spain
4	11D0336	1	Power Cord, Swiss/French
4	11D0336	1	Power Cord, Swiss/German
4	11D0336	1	Power Cord, Swiss/Italian
4	11D0337	1	Power Cord, U.K.
4	11D0338	1	Power Cord, Israel
4	11D0339	1	Power Cord, South Africa
4	11D0334	1	Power Cord, Belgium
4	11D0330	1	Power Cord, Argentina
4	11D0331	1	Power Cord, Brazil
4	11D0332	1	Power Cord, Chile
4	11D0329	1	Power Cord, Peru
NS	11D0326	1	Finisher Option Control Board (To be used when the finisher is installed)

4040 Finisher

Assembly 14: Attachment Parts



4040 Finisher

Ref	Part Number	Units	Description
1	11D0229	3	Tray, Face-up
2	11D0231	2	Screw, Tray
3	11D0305	1	Cable, Interface
4	11D0322	1	Rail
5	11D0325	1	Screw, Stepped
6	11D0327	2	Screw
7	11D0323	1	Holder, Interface Cable
8	11D0324	1	Ground Adapter