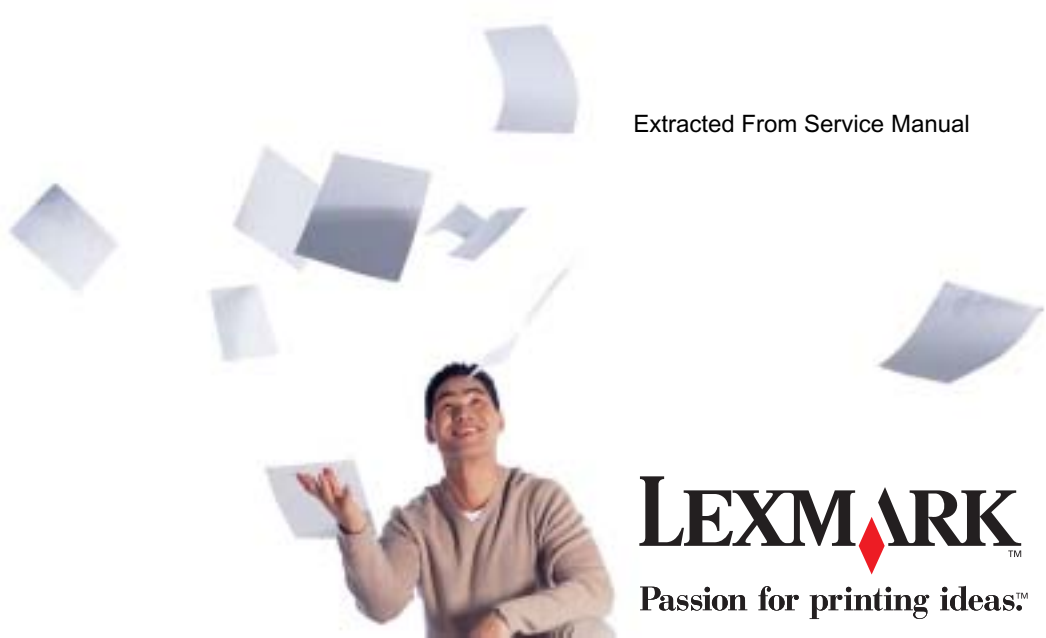


Parts Breakdown

Lexmark Optra™ Series

4049-XXX

Extracted From Service Manual



LEXMARK[™]

Passion for printing ideas.[™]

Third Edition (November, 1996)

The following paragraph does not apply to the United Kingdom or any country where such provisions are inconsistent with local law: LEXMARK INTERNATIONAL, INC. PROVIDES THIS PUBLICATION "AS IS" WITHOUT WARRANTY OF ANY KIND, EITHER EXPRESS OR IMPLIED, INCLUDING, BUT NOT LIMITED TO, THE IMPLIED WARRANTIES OF MERCHANTABILITY OR FITNESS FOR A PARTICULAR PURPOSE. Some states do not allow disclaimer of express or implied warranties in certain transactions, therefore, this statement may not apply to you.

This publication could include technical inaccuracies or typographical errors. Changes are periodically made to the information herein; these changes will be incorporated in later editions of the publication. Improvements or changes in the products or the programs described in this publication may be made at any time. Publications are not stocked at the address given below; requests for publications should be made to your point of purchase.

Comments may be addressed to Lexmark International, Inc., D22A/035-3, 740 New Circle Road NW, Lexington, Kentucky 40550, U.S.A. Lexmark may use or distribute any of the information you supply in any way it believes appropriate without incurring any obligation to you.

Lexmark is a trademark of Lexmark International, Inc., registered in the United States and/or other countries.

**©Copyright Lexmark International, Inc. 1995, 1996
All rights reserved.**

UNITED STATES GOVERNMENT RESTRICTED RIGHTS

This software and documentation are provided with RESTRICTED RIGHTS. Use, duplication or disclosure by the Government is subject to restrictions as set forth in subparagraph (c)(1)(ii) of the Rights in Technical Data and Computer Software clause at DFARS 252.227-7013 and in applicable FAR provisions: Lexmark International, Inc., Lexington, KY 40550.

7. Parts Catalog

How To Use This Parts Catalog

- **SIMILAR ASSEMBLIES:** If two assemblies contain a majority of identical parts, they are broken down on the same list. Common parts are shown by one index number. Parts peculiar to one or the other of the assemblies are listed separately and identified by description.
- **PP:** (Parts Packet) in the parts description column indicates the part is contained in a parts packet.
- **AR:** (As Required) in the Units column indicates that the quantity is not the same for all machines.
- **NS:** (Not Shown) in the Asm-Index column indicates that the part is procurable but is not pictured in the illustration.
- **INDENTURE:** The indenture is marked by a series of dots located before the parts description. The indenture indicates the relationship of a part to the next higher assembly. For example:

INDENTURE RELATIONSHIP OF PARTS

(No dot) MAIN ASSEMBLY

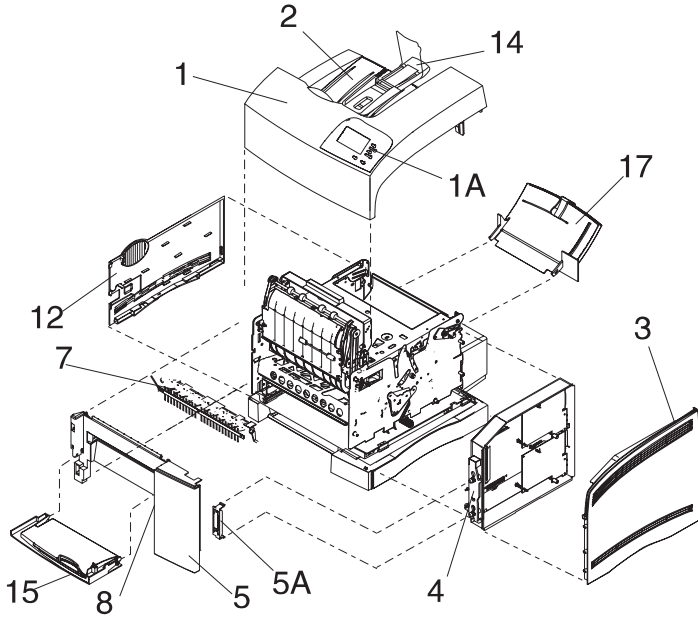
(One dot) o Detail parts of a main assembly

(One dot) o Subassembly of the main assembly

(Two dot) o o Detail part of a one-dot subassembly

(Two dot) o o Subassembly of a one-dot subassembly

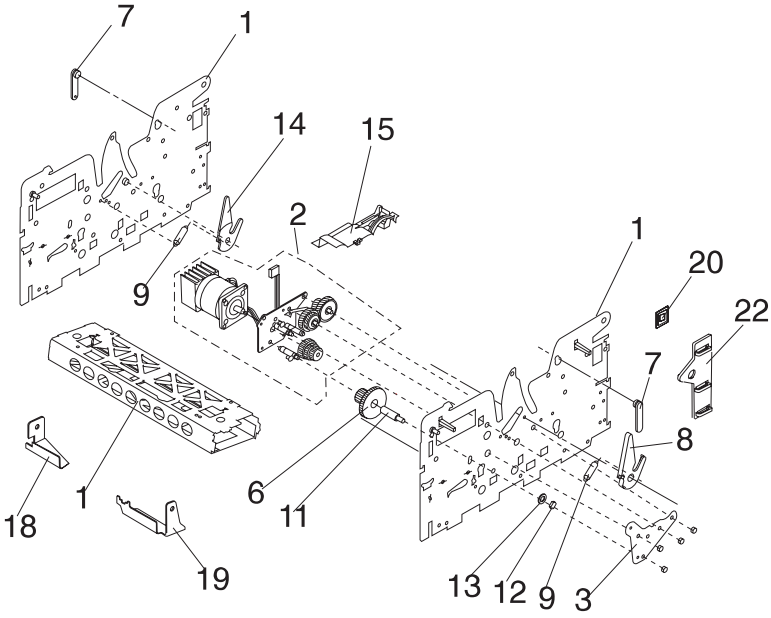
Assembly 1: Covers



4049-XXX

Asm-Index	Part Number	Units	Description
-1-1	1408175	1	Top Cover, R
-1	1427491	1	Top Cover, Rx
-1	1408173	1	Top Cover, L
-1	1425483	1	Top Cover, Lx/Lxi
-1	69G3152	1	Top Cover, Rt
-1	1381852	1	Top Cover, R ⁺
-1	1381851	1	Top Cover, Rt ⁺
-1	1381850	1	Top Cover, Lx ⁺ /Lxi ⁺
-1A	1381631	1	Operator Panel Asm
NS		4	Screw, Operator Panel-Parts Packet 1381663
NS	1408172	1	Plug, Printhead Adjustment, R/Rx/Rt
-2	1381656	1	Tray Asm, Stacker, L/Lx
NS		1	Spring, Stacker-Parts Packet 1381666
-3	1408176	1	Right Cover Asm
-4	1381865	1	Plastic Latch, Right Cover
-4	1381862	1	Metal Latch, Right Cover
NS	1408233	1	Spring, Right Cover Latch
-5	1408184	1	Front Cover Asm, R/Rx/Rt (plastic latch)
-5	1408384	1	Front Cover Asm, L/Lx (plastic latch)
-5	69G9481	1	Front Cover Asm, R/Rx/Rt (metal latch)
-5	69G9482	1	Front Cover Asm, L/Lx (metal latch)
-5A	1381858	1	Bracket, Front Cover Retaining (plastic latch)
-5A	1381864	1	Bracket, Front Cover Retaining (metal latch)
-7	1329070	1	Output Deflector
-8	69G9483	1	Output Deflector Lever, W/spring
-12	1408188	1	Left Cover
-14	1381657	1	Paper Stop Asm, R/Rx/Rt
-14	1381658	1	Paper Stop Asm, L/Lx
-15	1381875	1	Cover Asm, Front Exit Tray
-17	1408394	1	Manual Feed Tray with guide

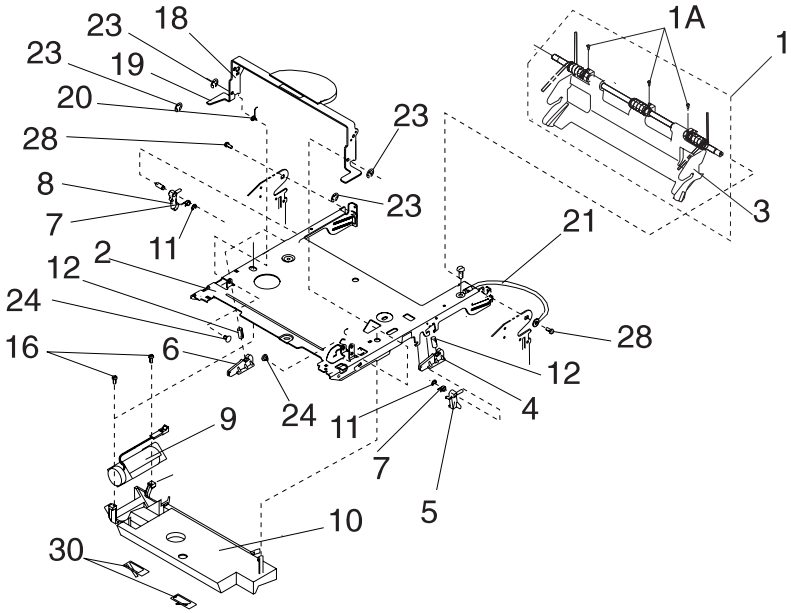
Assembly 2: Lower Frame



4049-XXX

Asm-Index	Part Number	Units	Description
2-1	1381667	1	Lower Frame Assembly
-2	1381632	1	Motor, Brkt. and Gear Asm, R/L/Rt
-2	1381633	1	Motor, Brkt. and Gear Asm, Lx/Rx/R ⁺ /Rt ⁺ /Lx ⁺
-3	1408572	1	Plate Asm. Gear Box Mtg.
NS	1408779	1	Clip, Ground, Motor Mtg.
NS		2	Mtg. Screw, Motor Asm-Parts Packet 1381663
NS		4	Mtg. Nut, Gear Asm.-Parts Packet 1381663
-6	1328243	1	Gear No. 2
-7	1039391	2	Detent, Box
-8	1329013	1	Right Cartridge Latch
-9		1	Spring, Parts Packet 1381666
-11	1039271	1	Shaft, Gear 2
-12		1	Nut, Gear 2, Parts Packet 1381663
-13		1	Lockwasher, Gear 2, Parts Packet 1381663
-14	1329144	1	Left Cartridge Latch
-15	1408645	1	Gear Train Cover
-18	1328428	1	LH Bracket, Duplex
-19	1328427	1	RH Bracket, Duplex
NS		1	Screw, Duplex Bracket, Parts Packet 1381663
-20	1039476	1	Grommet, Printhead Cable
-22	1408623	2	Cable Clamp
NS	1408721	1	Guide, Cable
NS		4	Screw, Cable Clamp, Parts Packet 1381663

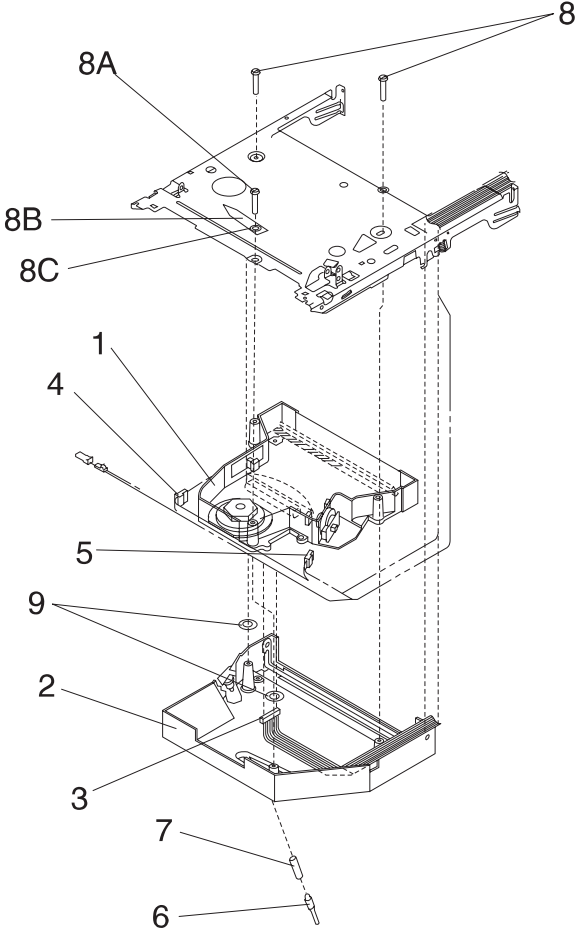
Assembly 3: Upper Frame



4049-XXX

Asm-Index	Part Number	Units	Description
3-1	1325196	1	Cover Hinge Asm R/Rx/Rt (does not include the load box)
-1	1381045	1	Cover Hinge Asm L/Lx (does not include the load box)
-1A		1	Screw, Cover Hinge Parts Packet 1381663
-2	1325103	1	Upper Plate Asm R/Rx/Rt
-2	1328218	1	Upper Plate Asm L/Lx
-3	1427306	1	Cartridge Load Box
-4		1	Right Cam Button, Parts Packet 1381663
-5	1039693	1	Right Bellcrank
-6		1	Left Cam Button, Parts Packet 1381663
-7		1	Spring, Bellcrank, Parts Packet 1381666
-8	1039692	1	Left Bellcrank
-9	1383998	1	Fan Asm
NS	1424481	1	Pad, Acoustic (Fan)
-10	1328222	1	Plenum Asm
-11		1	Retainer, Parts Packet 1381663
-12		1	Spring, Parts Packet 1381666
-16		2	Screw, Plenum Mtg., Parts Packet 1381663
-18	1408616	1	Handle Latch, with Grip, R/Rx/Rt
-18	1408216	1	Handle Latch, with Grip, L/Lx
-19	1328308	2	Sleeve
-20		1	Spring, Handle-Parts Packet 1381666
-21		2	Ground Strap, Parts Packet 1381669
-23		1	Retainer, E-Clip, Parts Packet 1381663
-24		1	Pivot, Handle--Parts Packet 1381663
-27		1	Washer, Parts Packet 1381663
-28		2	Screw, Shaft Mtg., Parts Packet 1381663
-30	1328467	1	Spring, Plenum

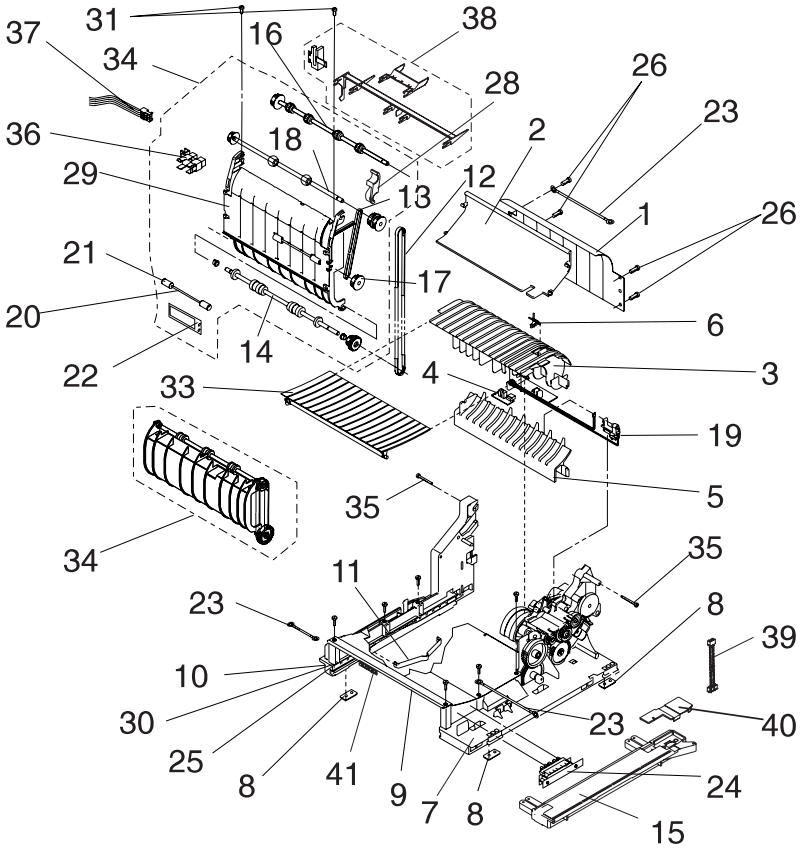
Assembly 4: Printhead



4049-XXX

Asm-Index	Part Number	Units	Description
4-1	1381635	1	Printhead
-2	1328431	1	Printhead Shroud Assembly
-3	1408033	1	Cable, Fan/Mirror Motor
-4	1408034	1	Cable, hsync
NS	1038199	1	Cable, Tie
-5	1425284	1	Cable, Laser (Install with marked end to Printhead)
-6		1	Pin, Parts Packet 1381666
-7		1	Spring, Parts Packet 1381666
-8		2	Screw, Printhead Mtg., Parts Packet 1381663
-8A		1	Screw, Hex Headed Parts Packet 1381663
-8B		1	Pointer, Parts Packet 1381663
-8C		1	Clip, Hex Screw Ground, Parts Packet 1381663
-9		2	Retainer, Parts Packet 1381663

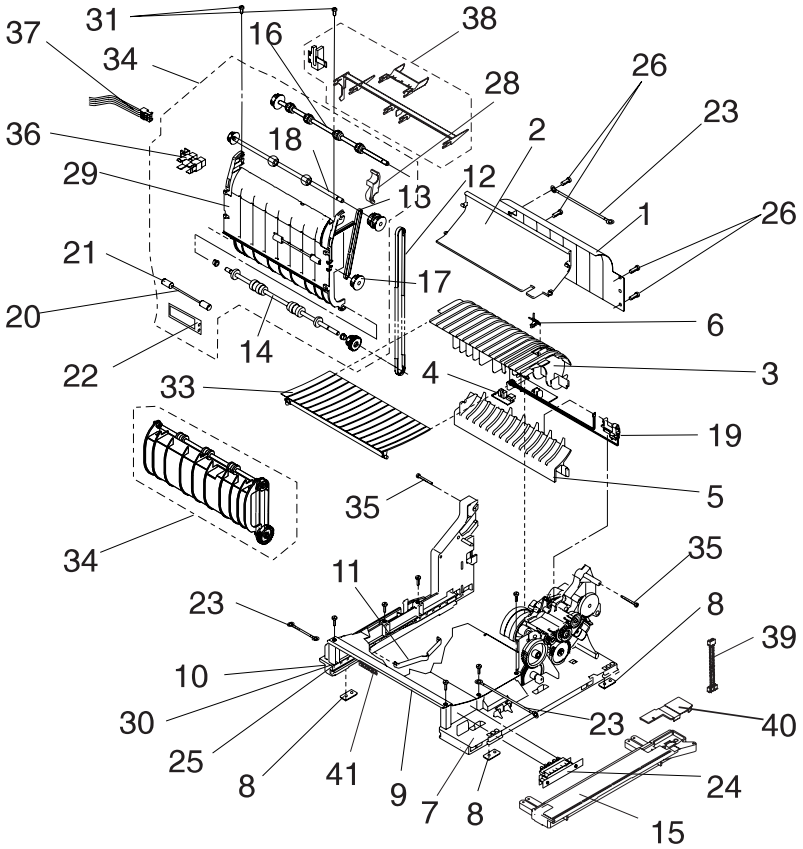
Assembly 5: Paper Feed



4049-XXX

Asm-Index	Part Number	Units	Description
5-1	1039101	1	Outer Deflector
-2	1183597	1	Upper Deflector
-3	1381670	1	Inner Deflector with Roller
NS	1381919	1	o Roller Asm
-4	1381636	1	Input Sensor Board
-5	1408859	1	Lower Deflector
-6		1	Flag, Input Sensor, Parts Packet 1381669
-7	1408703	1	Rt Rail Asm (without Gears)
-7	1381801	1	Rt Rail Asm w/Gears & Paper Solenoid
-8	1039170	4	Machine Pad
-9	1408690	1	Toner Shield
-10	1328317	1	Left Frame
-11	1039175	1	Tray Frame Spring
-12	1042211	1	Belt, Redrive R/Rx/Rt
-12	1328192	1	Belt, Redrive, L/Lx
-13	1328193	1	Belt, Auxiliary L/Lx
-14	1381912	1	Shaft Asm, Lower Redrive
-15	1408249	1	Extension Asm, Right Rail
-16	1381908	1	Shaft Asm, Upper Redrive
-17	1381914	1	Shaft Asm, Auxiliary Shaft L/Lx
-18	1381910	1	Shaft Asm, Middle Redrive R/Rx/Rt
-18	1328173	1	Shaft Asm, Middle Redrive L/Lx
-19	1381073	1	Toner Sensor
-20	1381915	1	Shaft, L/Lx
-21	1381926	2	Roller, backup L/Lx
-22	1328321	1	Spring, backup L/Lx
-23		2	Jumper, Ground, Parts Packet 1381669
-24	1381015	1	Sensor Asm, Paper Size
-25	1183244	1	Arm, Tray Frame
-26		4	Screw, Deflector Mtg, PP 1381663

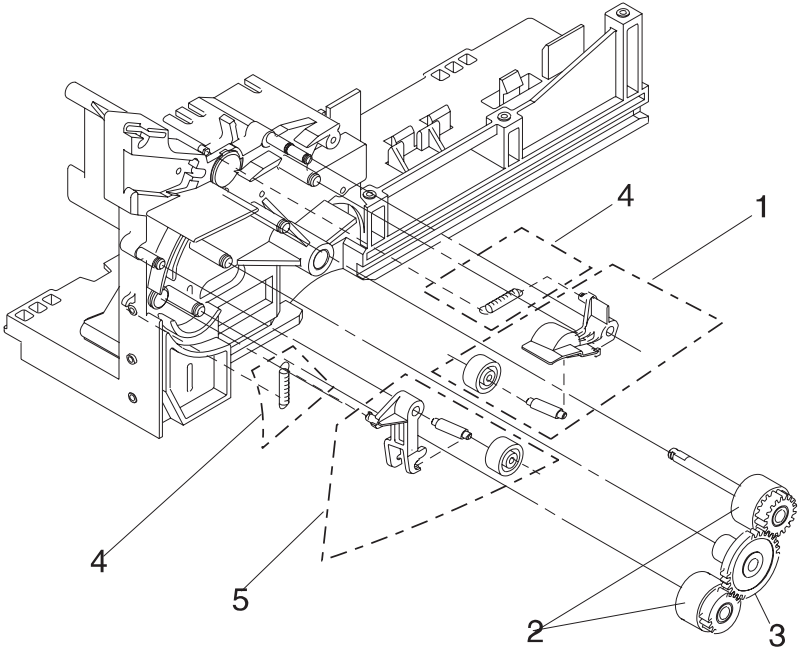
Assembly 5: Paper Feed (Continued)



4049-XXX

Asm-Index	Part Number	Units	Description
5-28	1402325	1	Bearing
NS	1328450	1	Spring, Shaft Grd. L/Lx
NS	1427418	1	Spring, Shaft Grd. R/Rx/Rt
-29	1408717	1	Outer Redrive Shield, R/Rx/Rt
-29	1328381	1	Outer Redrive Shield L/Lx
NS		2	Screw Backup Spring Mtg., Parts Packet 1381663
-30		1	Spring, Arm Tray Bias, Parts Packet 1381666
-31		2	Screw, Redrive Mtg., Parts Packet 1381663
-33	1038186	1	Guide, Fuser Input
-34	1381895	1	Redrive Assembly L/Lx
-34	1381899	1	Redrive Assembly, R/Rx/Rt
-35		6	Screw, Frame to Paper Feed, Parts Packet 1381663
NS	1328345	1	Spring, Bias, Transfer Housing
-36	1381298	1	Output Bin Sensor L/Lx
-37	1408064	1	Cable, Output Bin/Op Panel (Output Bin lead has no connection on R/Rx/Rt)
-38	1381567	1	Guide, Bail, and Minibail Kit (R/Rx/Rt uses Minibail only)
-39	1408061	1	Cable, Tray 2 (Tray 3 for Rt) Blind Mate
-40	1408792	1	Cover, Tray 2 Cable Opening
-41	1408892	1	Cable, Duplex Autoconnect

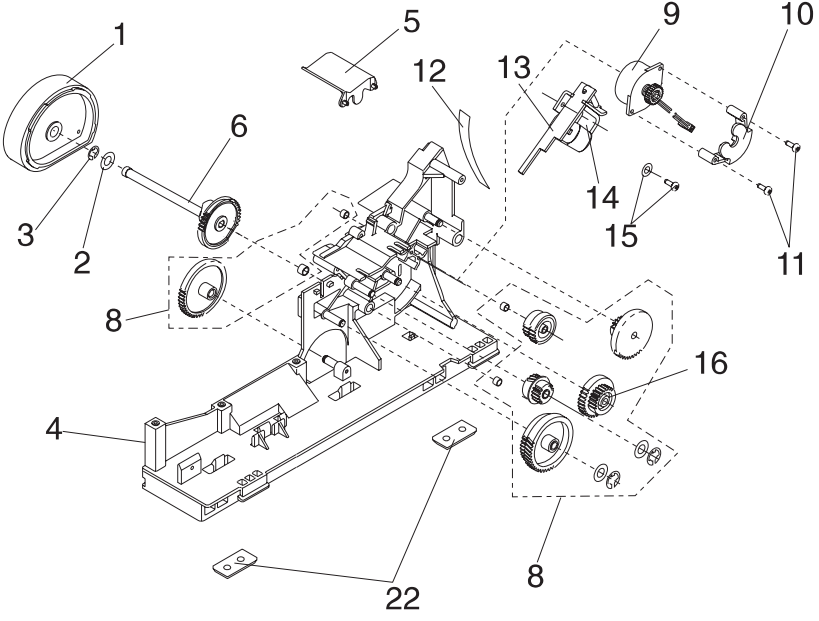
Assembly 6: Paper Feed Alignment Gears



4049-XXX

Asm-Index	Part Number	Units	Description
6-1	1427307	1	Bellcrank, Metering
-		1	o Shaft
-		1	o Bellcrank
-		1	o Roll
-		1	o Thrust Washer
-2	1381145	1	Kit, Prealigner and Auxiliary Rollers
-3	1039278	1	Gear, Idler, Prealigner
-4		1	Spring, Prealigner and Metering Bellcranks, Parts Packet 1381666
-5	1328384	1	Bellcrank, Prealigner
-		1	o Shaft
-		1	o Roll
-		1	o Bellcrank
-		1	o Thrust washer
N/S	1383580	1	Anchor Repair Kit (Metering)
N/S	1383908	1	Anchor Repair Kit (Prealigner)

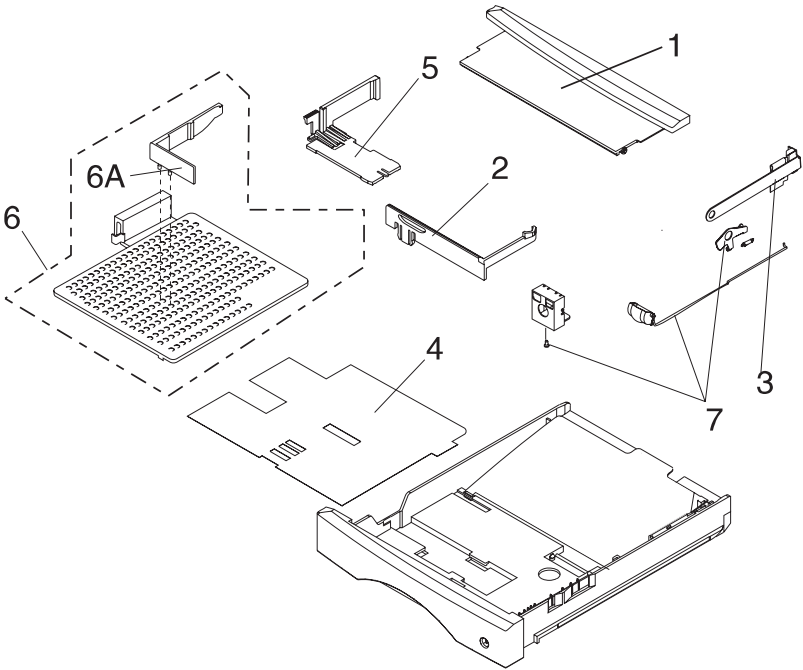
Assembly 7: Paper Feed Drive



4049-XXX

Asm-Index	Part Number	Units	Description
			Note: Machine may have either torquer motor (items 9, 10, and 11) or paper pick solenoid (items 12, 13, 14, and 15).
7-1	69G5480	1	D-Roller Asm
-2	1328279	1	Washer, Thrust
-3		1	Clip, D-roll, Parts Packet 1381663
-4	1408703	1	Rail Assembly, Right (w/o gears)
-4	1381801	1	Rail Asm, Right, with Gears and Paper Pick Solenoid
-5	1328313	1	Shield, D-Roll
-6	1328454	1	Shaft, D-Roll with Gear 11 (Solenoid)
-6	1381726	1	Shaft, D-Roll with Gear 11 (Torquer Motor)
-8	1381886	1	Gear Kit
-9	1381306	1	Torquer Motor
-10	1408243	1	Adapter, Torquer Motor
-11		1	Screw, Parts Packet 1381663
-12		1	Spring, Gear Advance, Parts Packet 1383316
-13	1383433	1	Solenoid, Paper Pick
-14		1	Spring, Magnet Arm, Parts Packet 1383316
-15		1	Screw & washer, Parts Packet 1383314
-16	1381881	1	Gear 9, Solenoid
-22	1039170	1	Machine Pad

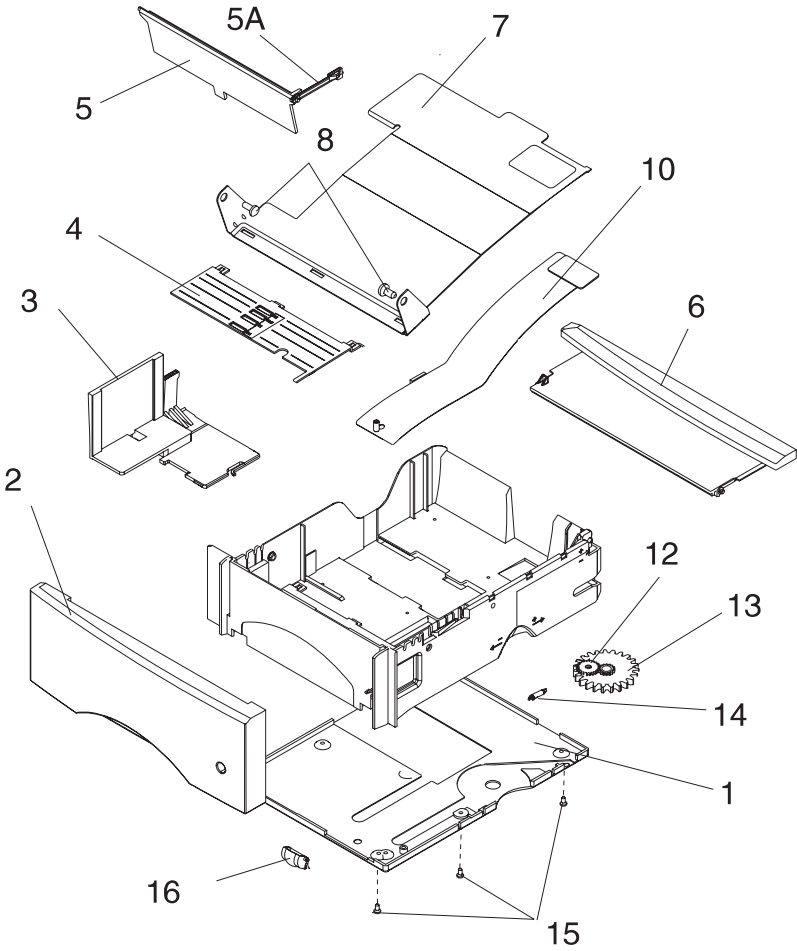
Assembly 8: Standard Paper Tray (200-Sheet)



4049-XXX

Asm-Index	Part Number	Units	Description
8-	1364894	1	Paper Tray Assembly, 11 in. (200-sheet)
-	1364893	1	Paper Tray Assembly, 14 in. (200-sheet)
-	1364892	1	Paper Tray Assembly for Labels, 11 in. (200-sheet)
-	1364890	1	Paper Tray Assembly for Labels, 14 in. (200-sheet)
-	1364891	1	Paper Tray Assembly, A5
-1	1408170	1	Cover, 14 in.
-2	1408725	1	Paper Stop
-3	1381577	1	Corner Buckler
-4	1408732	1	Liner, 11 in.
-4	1408733	1	Liner, 14 in.
-5	1408724	1	Adjustable Guide
-6	1058486	1	Universal Paper Tray
-6A	1058488	1	Guide, Universal Paper Tray
-7	1381661	1	Kit, Paper Level Indicator

Assembly 9: Paper Tray (500-Sheet)

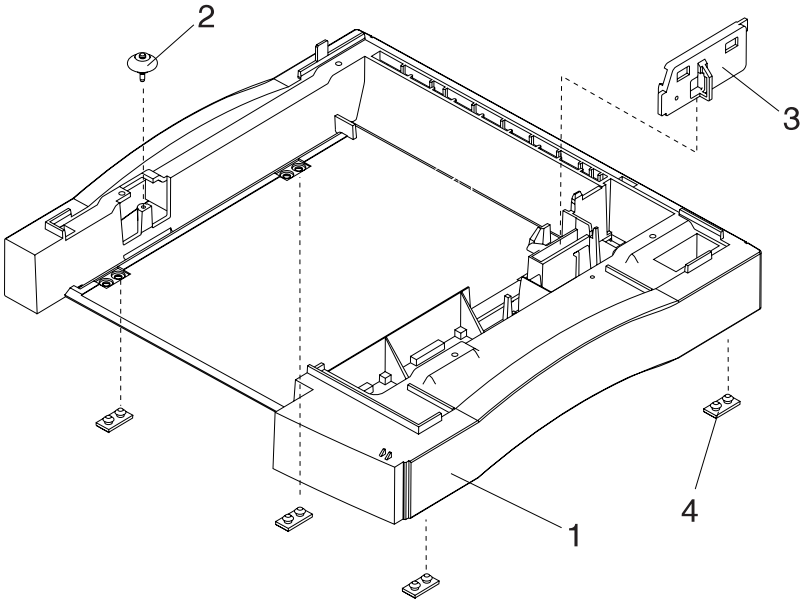


4049-XXX

Asm-Index	Part Number	Units	Description
9-	1381813	1	Paper Tray Assembly, Std. (450g Spring) 11 in.
-	1381814	1	Paper Tray Assembly, Std. (450g Spring) 14 in.
-	1381816	1	Paper Tray Assembly, Light Weight Labels (550g spring), 11 in.
-	1381815	1	Paper Tray Assembly, Light Weight Labels (550g spring), 14 in.
-	1381807	1	Paper Tray Assembly, Heavy Weight Labels (650g spring), 11 in.
-	1381808	1	Paper Tray Assembly, Heavy Weight Labels (650g spring), 14 in.
-	1381809	1	Paper Tray Assembly, Super Heavy Weight Labels (750g spring), 11 in.
-1	1408361	1	Bottom Cover 11 in.
-1	1408362	1	Bottom Cover 14 in.
-2	1381660	1	Cover, Front Trim 11 in.
-2	1408369	1	Cover, Front Trim 14 in.
-3	1408708	1	Paper Guide
-4	1408387	1	Slide 11 in.
-4	1408388	1	Slide 14 in.
-5	69G9056	1	Paper Stop
-5A	1408710	1	Slider, Paper Stop
-6	1408170	1	Cover 14 in.
-7	1195835	1	Pivot Plate, with label
-8		2	Retainer, Parts Packet 1381663
-10	1424558	1	Spring Assembly, (450g)
-11		1	Setscrew, Parts Packet 1381663
-12	1039594	1	Thumb Wheel Gear
-13	1408707	1	Wheel
-14	1039597	1	Detent Spring
-15		2	Screw, Parts Packet 1381663
-16	1408389	1	Indicator, Paper Level

4049-XXX

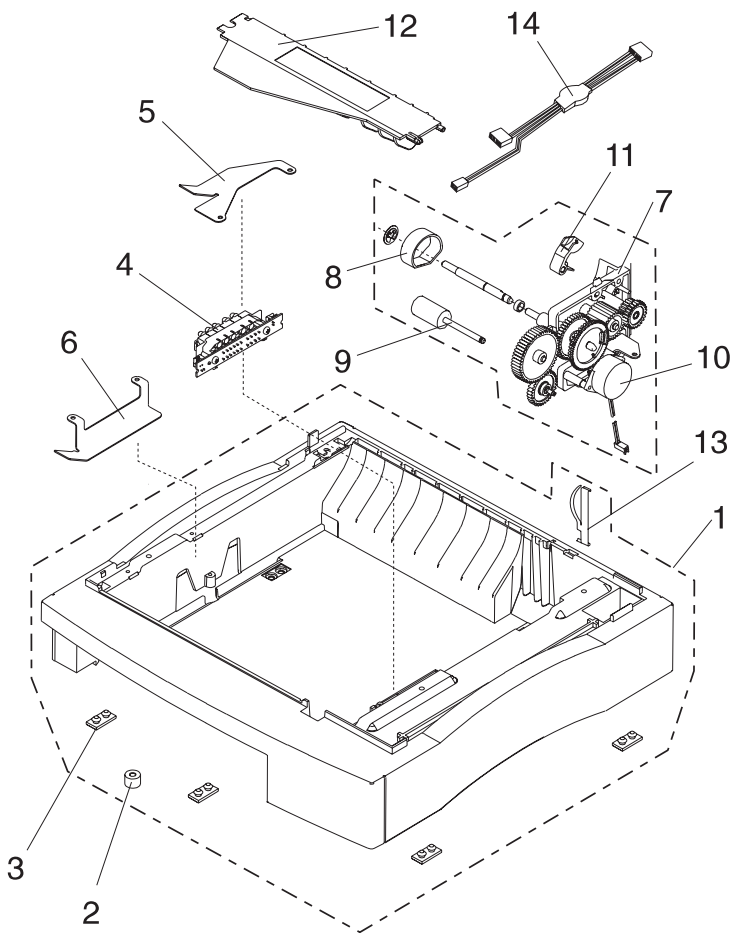
Assembly 10: Base for Paper Drawer (500-Sheet)



4049-XXX

Asm-Index	Part Number	Units	Description
10-1	1408289	1	Housing
-2	1039558	1	Roll
-3	1409146	1	Plate Assembly, Gear
-4	1039170	4	Pad, Machine
NS	1328674	1	Clip, Ground
NS		4	Screw, PP 1381663

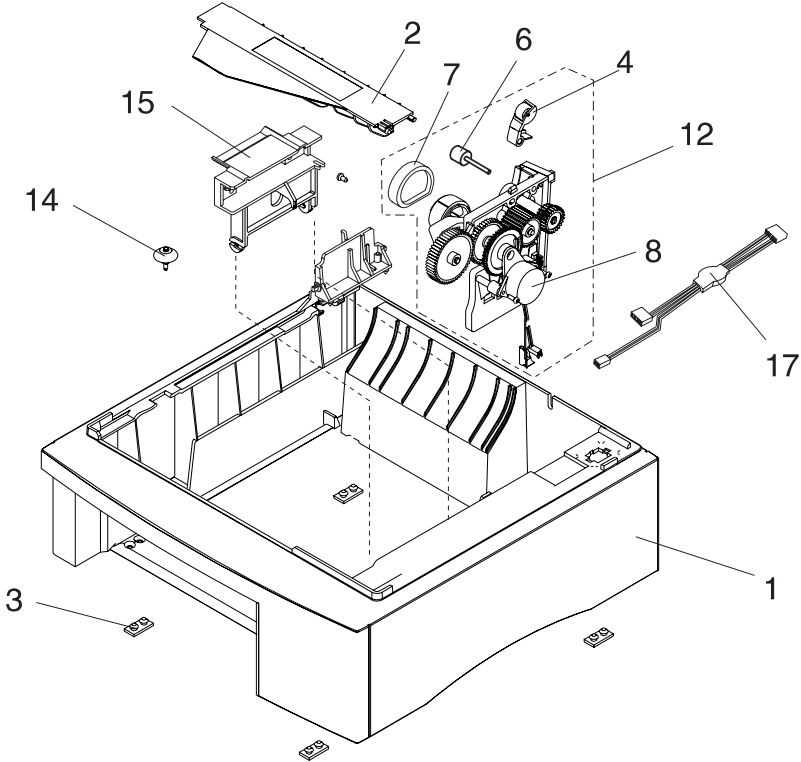
Assembly 11: Second Paper Drawer, (200-Sheet)



4049-XXX

Asm-Index	Part Number	Units	Description
11-1	1381836	1	Base Asm, Second Drawer, Rt
-1	1381860	1	Base Asm, Second Drawer, Non-Rt
-2	1381837	1	Detent Roller
-3	1381838	4	Foot
-4	1383922	1	Switch Asm
-5	1381839	1	Tray Guide, Right
-6	1381841	1	Tray Guide, Left
-7	1381831	1	Drive Asm
NS	1381918	1	o Drive Asm Gear Kit
-8	1381842	1	D-Roller Tire
-9	1381843	1	Drive Roller
-10	1381306	1	Torquer Motor
-11	1381844	1	Bellcrank Asm
-12	1381845	1	Deflector
-13	1381846	1	Ground Clip
-14	1381847	1	Cable, Engine Board, Rt
-14	1408062	1	Cable, Non-Rt
-NS	1381861	1	Mounting Plate, Connector, Non-Rt
-NS		1	Screw, Parts Packet 1381663

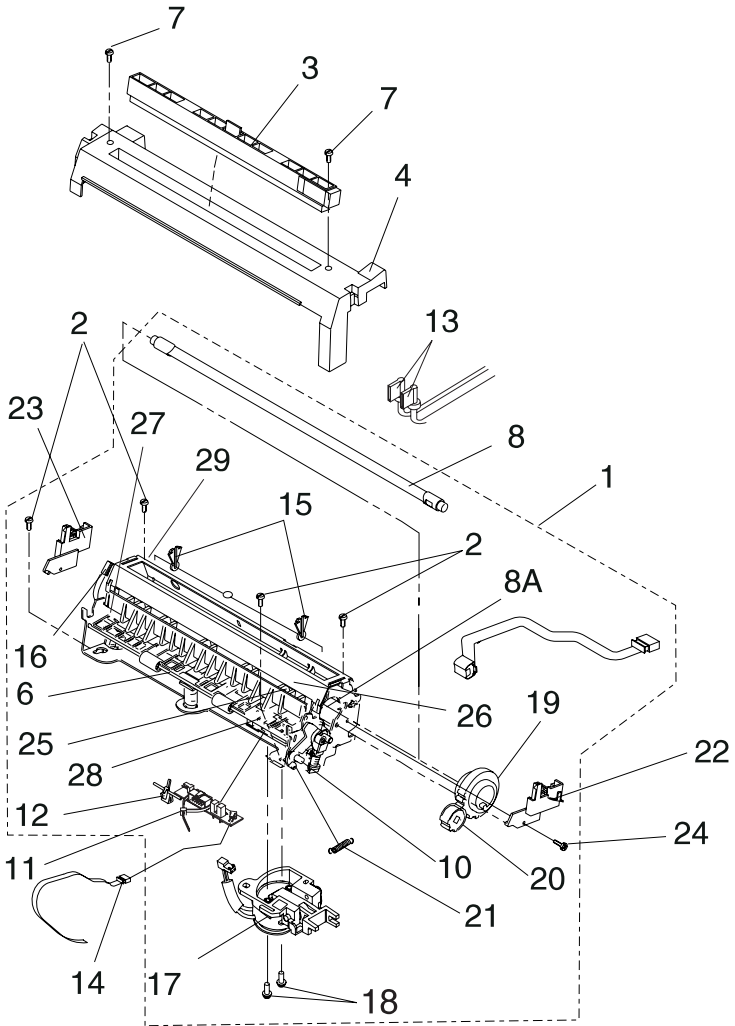
Assembly 12: Optional Paper Drawer (500-Sheet)



4049-XXX

Asm-Index	Part Number	Units	Description
12-1	1408161	1	Base Assembly
-2	1328630	1	Deflector
-3	1039170	4	Feet
-4	1039596	1	Bellcrank Assembly
NS		1	Spring, Bellcrank--Parts Packet 1381666
-6	1039603	1	Drive Roller
-7	1039540	1	D-Roller Tire
-8	1381306	1	Torquer Motor
-11		1	Spring--Parts Packet 1381666
-12	1381638	1	Drive Assembly
NS	1381920	1	o Drive Asm Gear Kit
-14	1039558	1	Roller
-15	1183299	1	Switch Assembly
-16		1	Screws--Parts Packet 1381663
-17	1381887	1	Cable, Paper Drawer

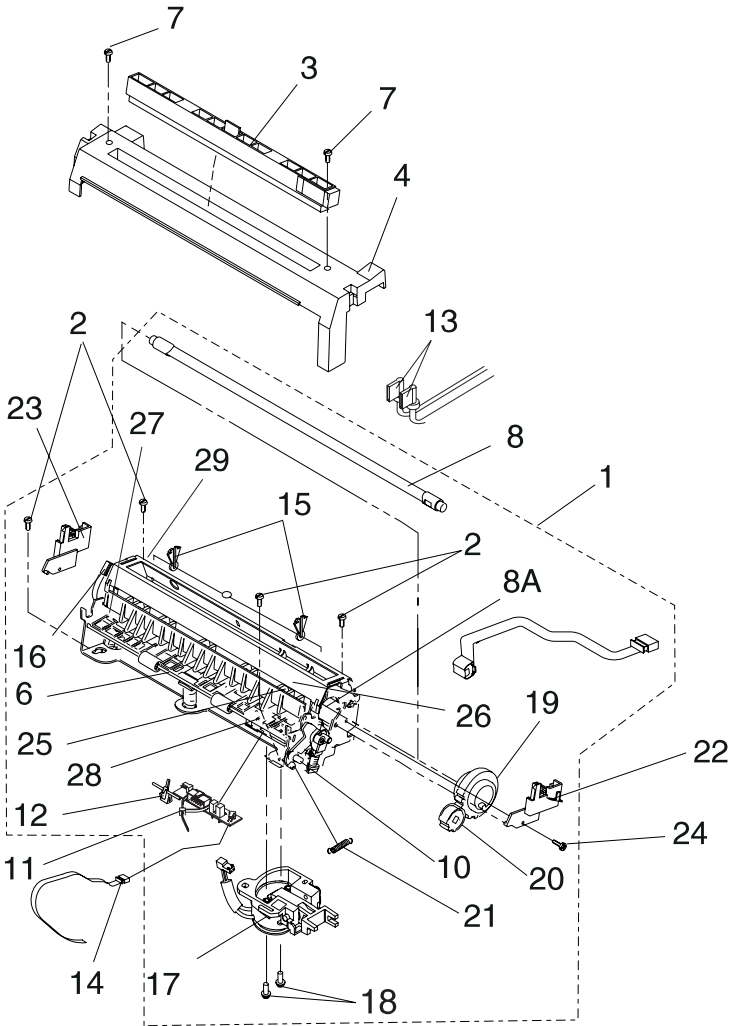
Assembly 13: Fuser



4049-XXX

Asm-Index	Part Number	Units	Description
13-1	1381639	1	Fuser and Lamp 110 V R/L/Rt
-1	1381641	1	Fuser and Lamp 220 V R/L/Rt
-1	1381640	1	Fuser and Lamp 110 V Rx/Lx/R ⁺ /Rt ⁺ /Lx ⁺
-1	1381642	1	Fuser and Lamp 220 V Rx/Lx/R ⁺ /Rt ⁺ /Lx ⁺
-2		4	Screw, Fuser Mounting, Parts Packet 1381663
-3	1382287	1	Fuser Wiper Assembly (supply item)
-4	1328132	1	Fuser Cover
-6		1	Spring Redrive Exit, Parts Packet 1381666
-7		2	Screw, Parts Packet 1381663
-8	1381523	1	Fuser Lamp 110 V R/L/Rt. Install lamp with color-coded end away from gear.
-8	1381524	1	Fuser Lamp 220 V R/L/Rt. Install lamp with color-coded end away from gear.
-8	1381011	1	Fuser Lamp 110 V Rx/Lx/R ⁺ /Rt ⁺ /Lx ⁺ . Install lamp with color-coded end away from gear.
-8	1381037	1	Fuser Lamp 220 V Rx/Lx/R ⁺ /Rt ⁺ /Lx ⁺ . Install lamp with color-coded end away from gear.
-8A	1381146	1	Hot Roll Assembly With Bearings
NS	1329928	1	Backup Roll
-10	1328458	1	Redrive Idle Arm Asm
-11	1381687	1	Paper Exit Bd Asm
-12		1	Flag, Parts Packet 1381669
-13	1039481	1	Fuser Power Cable
-14	1381662	1	Cable, Fuser/Paper Size Sensor

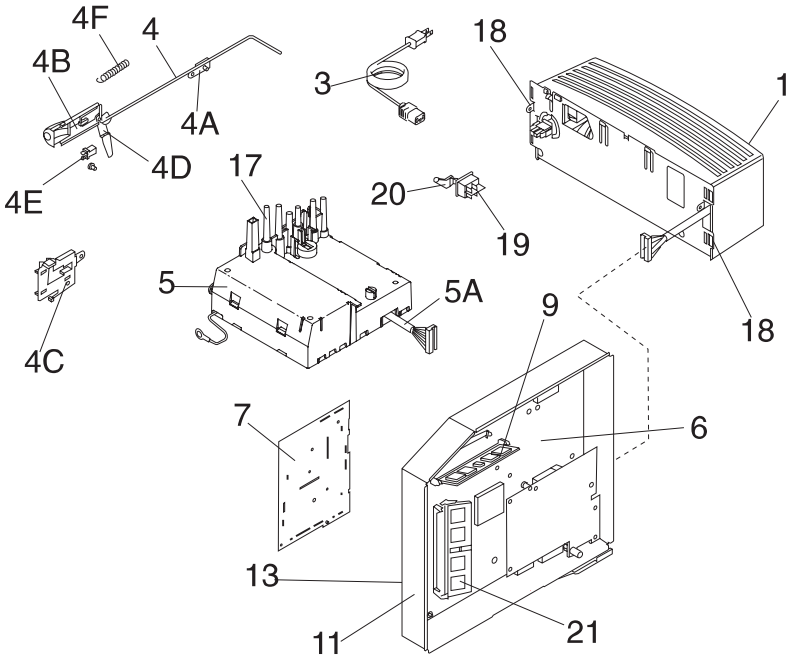
Assembly 13: Fuser (Continued)



4049-XXX

Asm-Index	Part Number	Units	Description
13-15	1328134	3	Clips, Thermal Fuse
-16	1381888	1	Bail Handle
-17	1381018	1	Fuser Solenoid Asm
-18		2	Screw, Solenoid Mtg., Parts Packet 1381663
-19	1328124	1	Gear No. 1, Hot Roll
-20		1	Gear 18T Redrive, Parts Packet 1381665
-21		1	Spring, Redrive Idler Parts Packet 1381666
-22	1328437	1	Contact Asm, Right Lamp
-23	1328438	1	Contact Asm, Left Lamp
-24		2	Screw, Mtg., Parts Packet 1381663
-25	1039316	5	Detack Fingers
-26	1039317	5	Detack Finger Springs
-27	1427473	1	Detack Housing, W/Fingers and Springs
-28	1375937	1	Lower Exit Guide
-29	1381786	1	Shroud, W/Thermal Fuse, Thermistor, and Clips, R/L/Rt
-29	1381788	1	Shroud, W/Thermal Fuse, Thermistor, and Clips, Rx/Lx/R ⁺ /Rt ⁺ /Lx ⁺
NS	1381826	1	Thermistor, high temperature

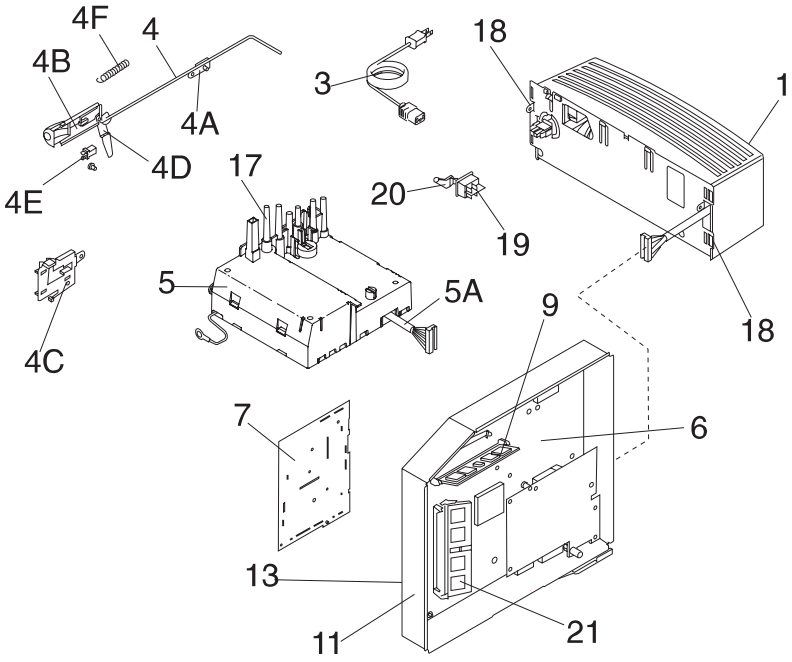
Assembly 14: Electronics



4049-XXX

Asm-Index	Part Number	Units	Description
14-1	1381643	1	LV Power Supply 110 V
-1	1381644	1	LV Power Supply 220 V
NS	1328463	1	Fuse, LVPS SB 12A 110 V
NS	1328464	1	Fuse, LVPS 6.3A 220 V
-3	1342514	1	Power Cord Set, U.S./Canada/Mexico/ Central and South America/Saudi Arabia (LV)
-3	1342530	1	Power Cord Set, Germany/France/Spain/ Norway/Finland/the Netherlands/Austria/ Belgium/Brazil/Greece/Luxembourg/Portu- gal/Sweden/Turkey/Indonesia/Saudi Arabia (HV)
-3	1342532	1	Power Cord Set, S. Africa
-3	1342533	1	Power Cord Set, Switzerland
-3	1342534	1	Power Cord Set, Chile/Italy
-3	1342535	1	Power Cord Set, Denmark
-3	1342536	1	Power Cord Set, New Zealand/Australia/ Argentina/Paraguay
-3	1342537	1	Power Cord Set, Israel
-3	1342543	1	Power Cord Set, UK/Malaysia/Singapore
-4	1408274	1	Rod, on/off
-4A	1408277	1	Support, Rod on/off
-4B	1408198	1	Actuator, On/Off
-4C	1408275	1	Plate, On/Off Actuator
-4D	1408276	1	Lever, Pivot
-4E	1408272	1	Latch, On/Off
-4F		1	Spring, PP 1381666
-5	1381645	1	HV Power Supply, with Cable
-5A	1381653	1	Cable, HVPS,
-6	1381853	1	RIP Board, Lx/Rx/Lx ⁺
-6	1381854	1	RIP Board, R/Rt/L/R ⁺ /Rt ⁺
NS	69G3072	1	Jumper, Engine Board, Rt (J16)
NS	1408063	1	Cable, Erase Lamps/Input Sensor

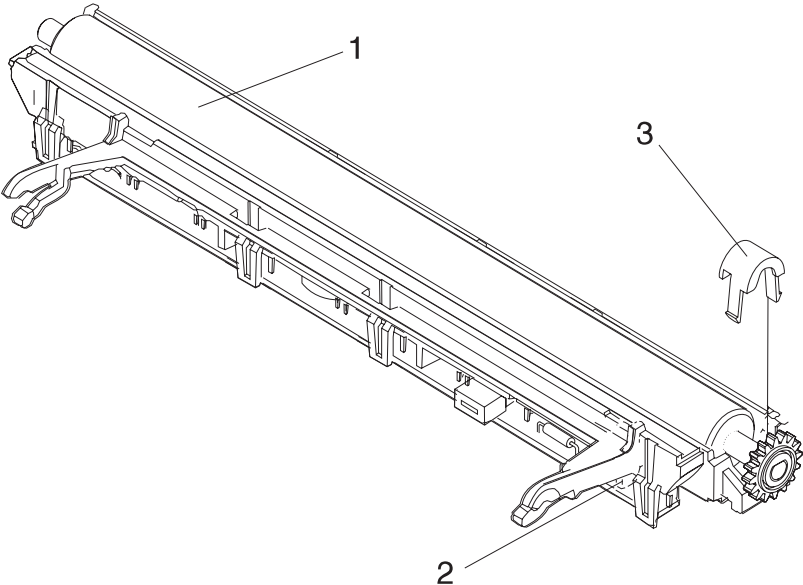
Assembly 14: Electronics (Continued)



4049-XXX

Asm-Index	Part Number	Units	Description
14-7	1381792	1	Engine Board, R/L/Rt
-7	1381796	1	Engine Board, Lx/Rx/R ⁺ /Rt ⁺ /Lx ⁺
-9	1364877	1	DRAM SIMM 4MB, Rx/L/Lx
-9	1364921	1	DRAM SIMM 2MB, R/Rt
-9	1364876	1	DRAM SIMM 8MB, Lxi
-11	1381651	1	Inner EMC Shield, R/Rt/L/Lx/Rx
-11	1381848	1	Inner EMC Shield, R ⁺ /Rt ⁺ /Lx ⁺
NS	1381664	1	Standoff Kit, Board Mounting
-13	1408106	1	Guide, Font Card
NS		2	Screw, HVPS Mtg., Parts Packet 1381663
-18		2	Screw, LVPS Mtg., Parts Packet 1381663
-19	1383513	1	Switch On/Off
-20	1039456	1	Switch Pivot
-21	1381840	1	ROM SIMM, R/Rt/L/Lx/Rx
-21	1381872	1	ROM SIMM, Lx ⁺ /R ⁺ /Rt ⁺

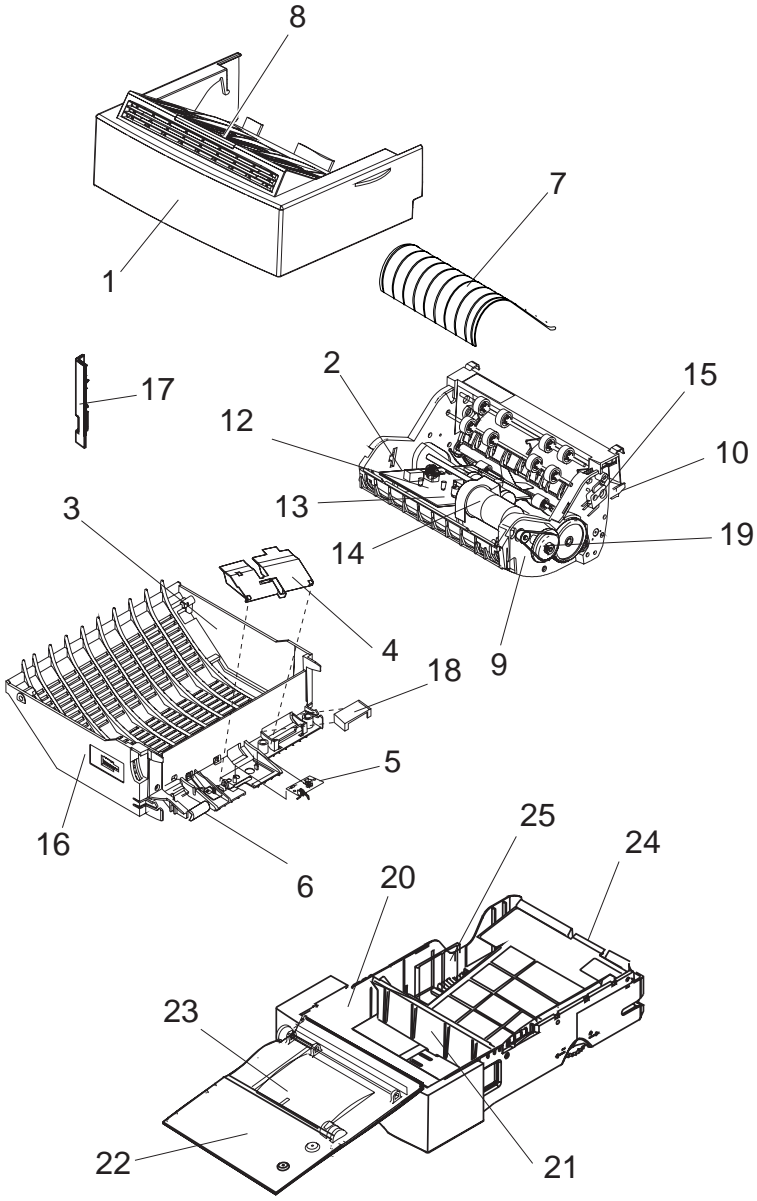
Assembly 15: Transfer Roll



4049-XXX

Asm-Index	Part Number	Units	Description
15	1381922	1	Transfer Roll Asm, complete
15-1	1381008	1	Roll Asm, Transfer, With Right Bearing
-2	1381652	1	Housing, Transfer
		1	o Rear Lens Asm, Erase
		1	o Contact, Transfer Roll
		1	o Lamp Asm, Erase
-3	1328356	1	Cover, Clip Bearing
NS	1381923	1	Erase Lamp Asm w/lens

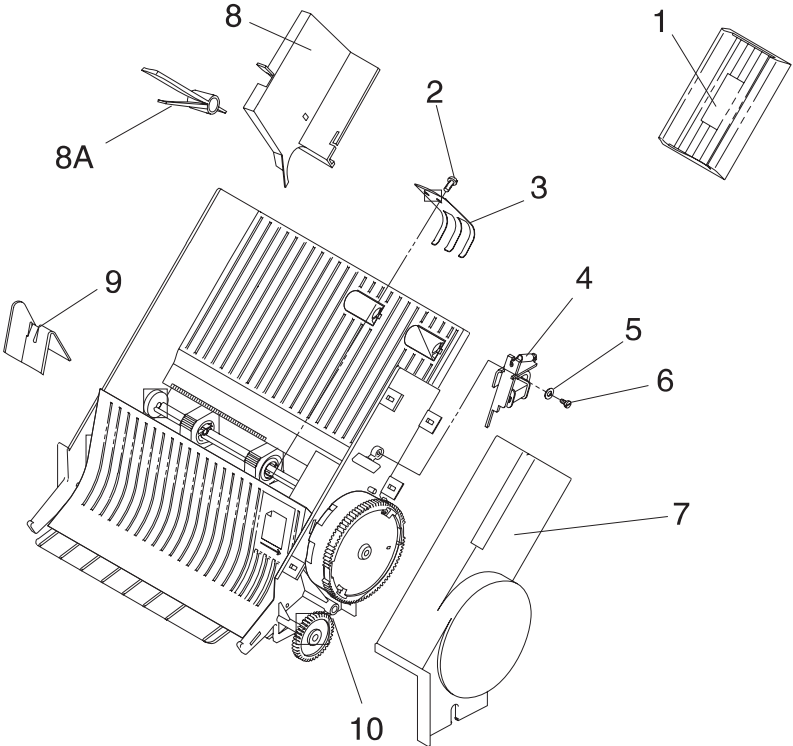
Assembly 16: Duplex Option



4049-XXX

Asm-Index	Part Number	Units	Description
16-1	1381551	1	Top Cover Asm
-2	1381552	1	Duplex System Card
-3	1381554	1	Bottom Cover
-4	1408940	1	Exit Sensor Cover
-5	1381555	1	Exit Sensor Asm
-6	1381602	1	Bellcrank Kit
-7	1408905	1	Table Cover (Floor)
-8	1408949	1	Paper Stop/Slide
-9	1381558	1	Gear Block Frame Asm
-10	1381559	1	Input Sensor Card
-12	1326042	1	Cable, Stepper Motor
-13	1408918	1	Cable, Sensor, and Autoconnect
-14	1381025	1	Paper Feed Motor (DC)
-15	1326113	1	Switch Asm Cover Open
-16	1381570	1	Switch Asm, Front Exit
-17	1408969	1	Cover, Corner Trim
-18	1408942	1	Cover, Auto-connect Plug
-19	1326064	1	Belt, Paper Drive
-20	1381803	1	Tray Asm, 300 w/Top Cover L/Lx
-20	1364882	1	Tray Asm, 130 w/Top Cover R/Rx/Rt
-21	1408888	1	Paper Stop, 300 Tray
-21	1408880	1	Paper Stop,130 Tray
-22	1381560	1	Top Cover, Paper Tray
-23	1038708	1	Belt, Paper Tray
-24	1408883	1	Down Stop, 130 Tray
-24	1408887	1	Down Stop, 300 Tray
-25	1408879	1	Guide, Edge, 130 Tray
NS	1381561	1	Gear Parts Pack
NS	1381048	1	Flag Parts Pack

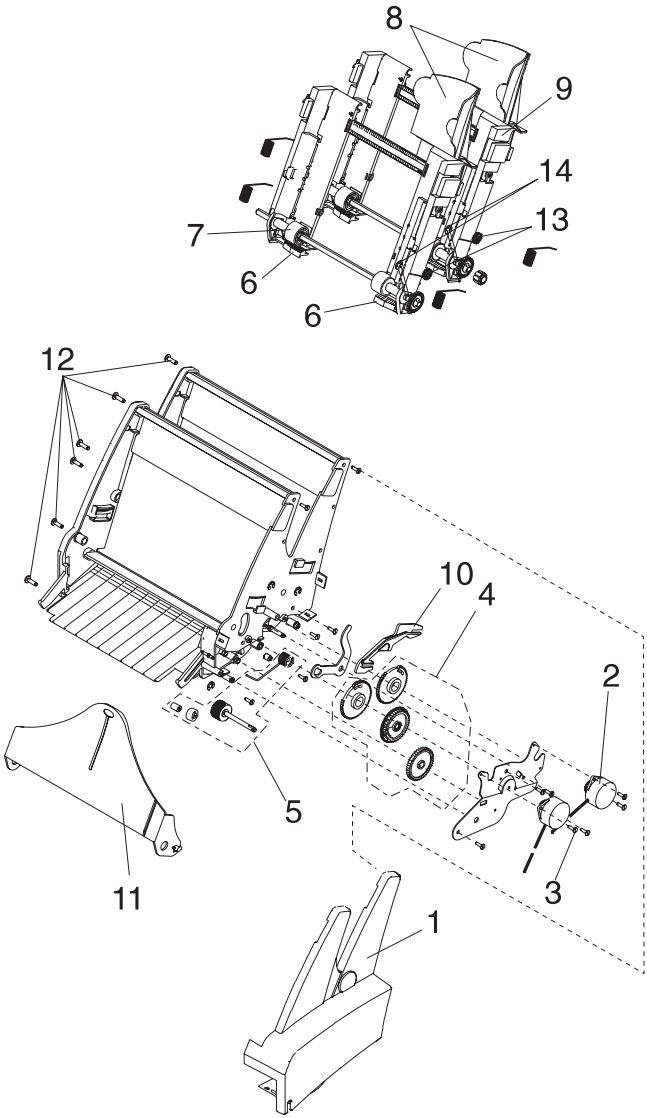
Assembly 17: Envelope+ and 100-Sheet Auxiliary Feeder



4049-XXX

Asm-Index	Part Number	Units	Description
17-	1408893	1	Envelope+ Feeder
-	1364895	1	100-Sheet Auxiliary Feeder
-1	1408862	1	Weight Assembly
-2	1622529	1	Screw
-3	1039615	1	Spring
-4	1383944	1	Magnet Assembly
-5	1622303	1	Washer
-6	1622536	1	Screw, Mtg
-7	1408869	1	Cover, Right
-8	1408868	1	Guide, Large
-8A	1408861	1	Latch, Guide
-9	1408863	1	Guide, Small
-10	1183273	1	Spring, Override Lever (100-Sheet Auxiliary Feeder Only)
NS	1383934	1	Roller Pack (Envelope+ Feeder Only)
NS	1383935	1	Roller Pack (100-Sheet Auxiliary Feeder Only)

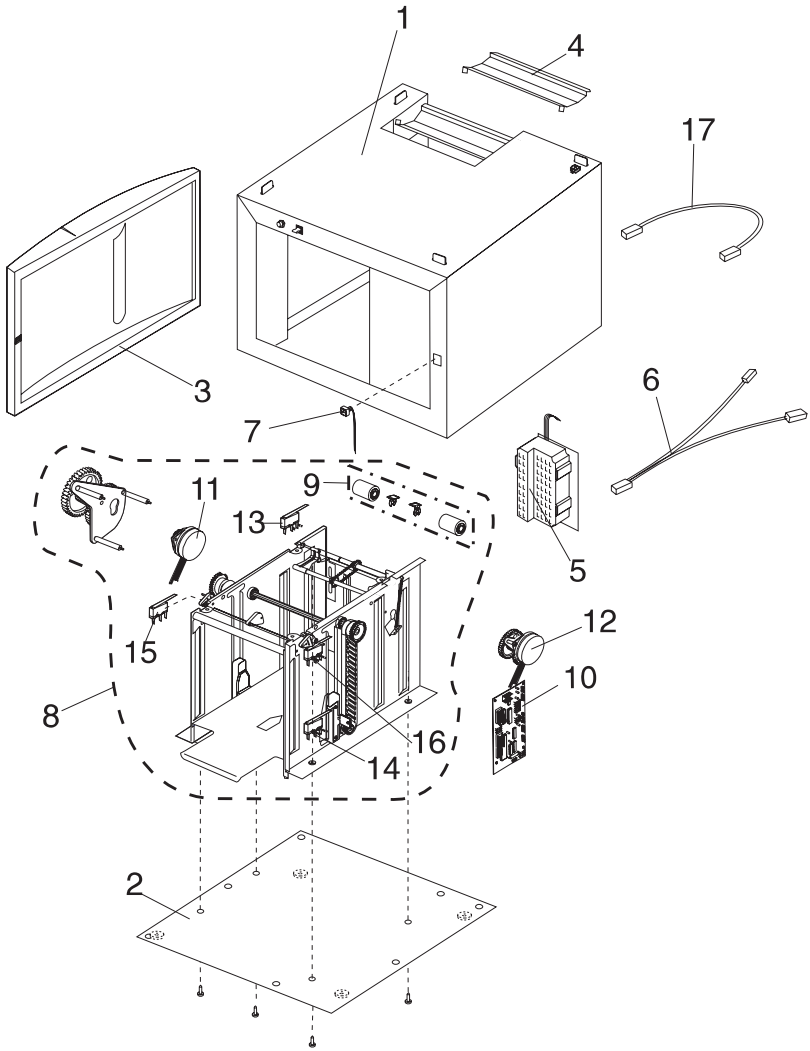
Assembly 18: Dual Rear Feeder



4049-XXX

Asm-Index	Part Number	Units	Description
18-	1381799	1	Dual Rear Feeder
-1	1381832	1	Cover, Right
-2	1381798	1	Dual Torquer Asm
-3		4	Screw, Torquer, PP 1367169
-4	1381793	1	Gear Kit
-5	1381794	1	Roller Kit
-6	1367019	1	Envelope Buckler Kit
-7	1367463	2	Pick Roll Hub Kit
-8	1381833	2	Extender
-9	1381795	2	Edge Guides & Width Adjust Strip Kit
-10	1381834	1	Slider
-11	1381797	1	Door
-12		3	Screw, Frame, PP 1367169
-13	1381835	2	Paper Load Shaft
-14		4	Clip, PP 1367169

Assembly 19: High Capacity Feeder



4049-XXX

Asm-Index	Part Number	Units	Description
19-1	1381928	1	Cover with A.C. inlet & cable and printer designator switch & cable
-2	1381930	1	Bottom Plate
-3	1381931	1	Door Assembly
-4	1381929	1	Rear Paper Path Deflector
-5	1381945	1	Power Supply
-6	1381932	1	Cable harness with circuit board, power supply and printer connectors
-7	1381934	1	Door Switch Cable Assembly
-8	1381942	1	Feeder Subassembly, U.S.
-8	1381943	1	Feeder Subassembly, A4
-9	1381941	1	Paper feed roller kit with retainers
-10	1381933	1	Circuit Board, *check A4/U.S. jumper position
-11	1381935	1	Elevator Motor with pinion
-12	1381936	1	Paper feed motor with pinion
-13	1381937	1	Microswitch, upper limit with cable
-14	1381938	1	Microswitch, lower limit with cable
-15	1381939	1	Microswitch, paper out with cable
-16	1381940	1	Microswitch, feeder ready with cable
-17	1381953	1	Power Jumper Cable
NS	1381944	1	Parts Packet

Assembly 20: Options

Asm-Index	Part Number	Units	Description
20-2	1364923	1	1MB Flash SIMM
-3	1364922	1	2MB Flash SIMM
-4	1364879	1	4MB Flash SIMM
-5	1364921	1	2MB DRAM SIMM
-6	1364877	1	4MB DRAM SIMM
-7	1364876	1	8MB DRAM SIMM
-8	1364875	1	16MB DRAM SIMM
-9	1364874	1	32MB DRAM SIMM
-10	13A0339	1	4MB DIMM
-11	13A0340	1	8MB DIMM
-12	13A0349	1	DE SIMM for IPDS
-13		1	Option Cards
-	1381050	1	o INA-LocalTalk
-	1446702	1	o INA-Ethernet 10BASE2
-	1402217	1	o INA-Token Ring
-	1402218	1	o INA-Ethernet 10BASE-T
-	1446702	1	o INA-Ethernet, Combined 10BASE2/ 10BASE-T
-	13A0294	1	o INA-SCS
-	13A0295	1	o INA-IPDS
-	13A0296	1	o 9 pin-to-Twinax cable, SCS or IPDS
-	13A0297	1	o 9 pin-to-BNC cable, SCS or IPDS
-	13A0298	1	o 9 pin-to-9 pin set up cable
-	1328563	1	o Thumbscrew, INA
-11	1364915	1	Font Card Adapter
-12	1381856	1	Hard Disk, 100MB, (40MB Drive No Longer Available; Use 100MB Drive)
-13	1381730	1	Stat Alert Light
-13A	1381728	1	Lens/Bulb Kit, Stat Alert Light

Assembly 21: Miscellaneous

Asm-Index	Part Number	Units	Description
-	1319128	1	Parallel Wrap Plug
-	1329048	1	Serial Wrap Plug
-	1381663	1	Fasteners parts packet
-	1381666	1	Springs parts packet
-	1381665	1	Gears (7-14) parts packet
-	1381145	1	Metering and Prealigner rolls parts packet
-	1329301	1	Grease, 2g
-	1384076	1	Grease, conductive 1 oz.
-	1383586	1	Grease, damping, 1 oz.
-	9900692	1	Grease, IBM #23
-	1280443	1	Oil, IBM #10 4 oz.
-	1381561	1	Duplex Gears parts packet
-	1381048	1	Duplex Flags parts packet
-	1381669	1	Jumpers/Flags parts packet
-	1381664	1	Standoffs parts packet
-	1381661	1	Indicator parts packet, 200-sheet tray
-	1383314	1	Thumbscrew, parallel cable