

Printing

Paper handling

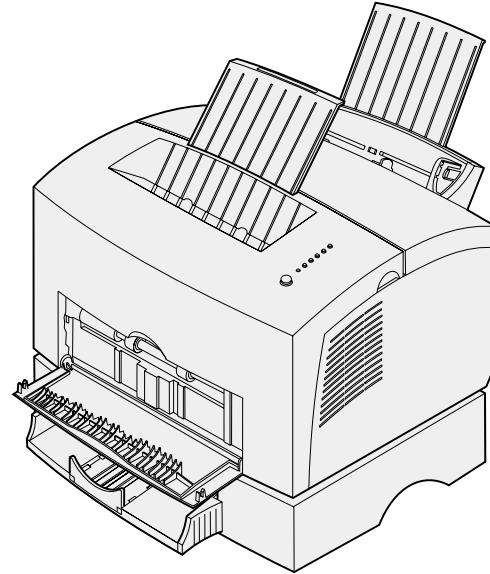
Maintenance

Troubleshooting

Administration

Index

## Lexmark E320/E322



Print as book



Printer  
overview

Notices

Other  
resources

Navigation



Change your  
language

[www.lexmark.com](http://www.lexmark.com)

Copyright © 2001 Lexmark International, Inc.  
All rights reserved.

