

Printing

Using color

Paper handling

Maintenance

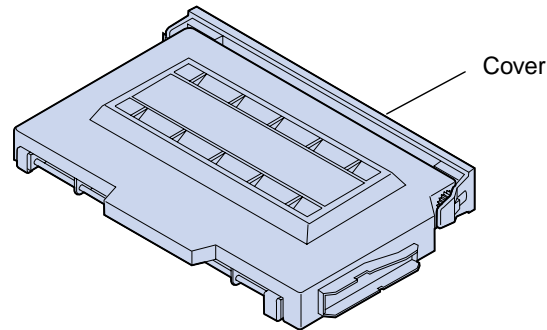
Troubleshooting

Administration

Index

Toner cartridges

Warning: Do not touch the cartridge roller located under the cover.



Your printer uses four separate toner cartridges, one for each color: cyan, yellow, magenta, and black. They are located behind the front door. The stacking order from top to bottom is black, yellow, magenta, and cyan.

The approximate yield of the black toner cartridge is 12,000 pages. The cyan, yellow, and magenta toner cartridges have an approximate yield of 7,200 pages.

The average yield is determined using A4 or letter size paper with a 5% toner coverage. The actual yield depends on the toner coverage on each page.



Printing

Using color

Paper handling

Maintenance

Troubleshooting

Administration

Index

When the printer detects the toner supply in a particular cartridge is getting low, it displays **88 <color> Toner Low**. If you do not already have a replacement toner cartridge available, order one at this time. For more information on ordering toner cartridges, see [Ordering supplies](#).

Press **Go** to clear the message. The **supplies** message appears on the second line of the operator panel to remind you that supplies need attention. Open the Supplies Menu to see which toner cartridge is low.

The printer continues to display the **<color> Toner Low** in the Supplies Menu until you replace the toner cartridge or until it is empty.

When the life of the toner cartridge has expired, the printer display alternates between the **88 <color> Toner Empty** and **Open Door Replace <color>** messages. You must replace the toner cartridge to continue printing.

If you notice a reduction in print quality before the **88 <color> Toner Low** message appears, you may want to replace the cartridge before the message appears. See [Identifying other problems](#) for information about printing problems that may indicate it is time to replace the toner cartridge.

When you need to install a new toner cartridge, see [Replacing toner cartridges](#) or the installation instructions that come with the new cartridge.



Printing

Using color

Paper handling

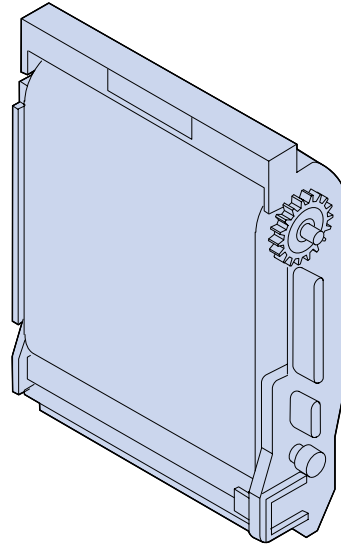
Maintenance

Troubleshooting

Administration

Index

Photo developer cartridge



The photo developer cartridge receives toner from the toner cartridges. The toner image is generated on the photo developer media. The photo developer transfers the generated image onto the transfer drum so it can be placed on the print media you selected.

The approximate yield of the photo developer cartridge is 40,000 images. The average yield is determined by the number of pages in each print job.

Printing

Using color

Paper handling

Maintenance

Troubleshooting

Administration

Index

To ensure print quality, your photo developer cartridge has a developer charger. The charger removes excess toner, dust, and other debris from your photo developer film before the next image is applied. The developer charger needs to be cleaned periodically to prevent streaks and voids. We recommend cleaning the discharger when you replace the waste toner bottle. For more information, see [Cleaning the developer charger](#).

Your printer monitors the life of your photo developer cartridge. When the photo developer cartridge reaches the end of its life, the printer shows **82 Photo Dev Cart Exhausted**. It is time for you to replace the photo developer cartridge.

If you do not already have a replacement photo developer cartridge available, order one at this time. For more information on ordering a photo developer cartridge, see [Ordering supplies](#).

Press **Go** to clear the message. The **Supplies** message appears on the second line of the operator panel to remind you that supplies need attention.

The printer continues to show **Photo Dev Cart Exhausted** in the Supplies Menu until you replace the photo developer cartridge.

When you need to install a new photo developer cartridge, see [Replacing the photo developer cartridge](#) or the installation instructions that come with the new cartridge.



Printing

Using color

Paper handling

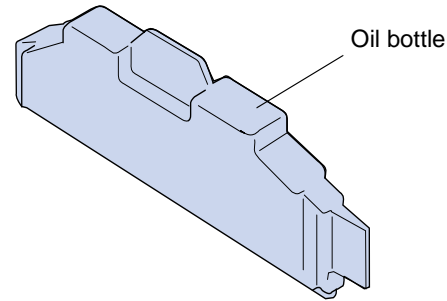
Maintenance

Troubleshooting

Administration

Index

Oil bottle



The oil bottle provides oil that lubricates the fuser. The approximate yield of the oil bottle is 12,000 pages. The average yield is determined by the number of printing of A4 or letter size pages printed.

Your printer monitors the life of your oil bottle. When the oil bottle becomes low, **Oil Bottle Low** appears. It is time for you to replace your oil bottle.

If you do not already have a replacement oil bottle available, order one at this time. For more information on ordering an oil bottle, see [Ordering supplies](#).

Press **Go** to clear the message. The **Supplies** message appears on the second line of the operator panel to remind you that supplies need attention.



Printing

Using color

Paper handling

Maintenance

Troubleshooting

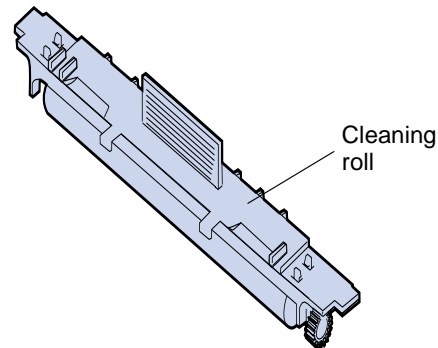
Administration

Index

The printer continues to show **Oil Bottle Low** in the Supplies Menu until you replace the oil bottle or until the oil bottle is empty.

When the oil bottle is empty, the printer shows **Oil Bottle Empty or Missing** and stops printing. You must replace the oil bottle to continue printing. When you need to install a new oil bottle, see [Replacing the oil bottle](#) or the installation instructions that come with the new oil bottle.

Cleaning roll



The cleaning roll removes excess toner and other contaminants from the fuser. It is located under the top door. The approximate yield of the cleaning roll is 12,000 pages. The actual yield depends on the toner coverage on each printed page.



Printing

Using color

Paper handling

Maintenance

Troubleshooting

Administration

Index

Your printer monitors the life of your cleaning roll. When the cleaning roll is nearing the end of its life, the printer shows **85 Fuser Cleaner Life Warning**. It is time for you to replace your cleaning roll.

If you do not already have a replacement cleaning roll available, order one at this time. For more information on ordering a cleaning roll, see [Ordering supplies](#).

Press **Go** to clear the message. The **Supplies** message appears on the second line of the operator panel to remind you that supplies need attention.

The printer continues to show **Fuser Cleaner Life Warning** in the Supplies Menu until you replace the cleaning roll or until the cleaning roll is exhausted.

When the life of the cleaning roll is exhausted, the printer displays **85 Fuser Cleaner Exhausted** and stops printing. You must replace the cleaning roll to continue printing. When you need to install a new cleaning roll, see [Replacing the cleaning roll](#) or the installation instructions that come with the new cleaning roll.



Printing

Using color

Paper handling

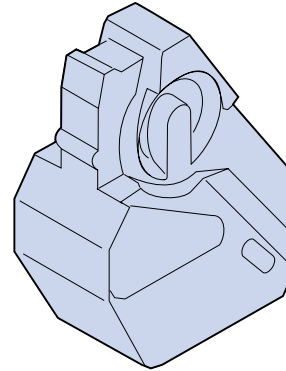
Maintenance

Troubleshooting

Administration

Index

Waste toner bottle



The toner used for printing is a fine powder. When creating an image, some excess toner remains on the photo developer after the image is placed on the transfer drum. A wiper and collector assembly remove the excess toner and place it in the waste toner bottle so it cannot contaminate your next image.

The approximate yield of the waste toner bottle is 12,000 images. The actual yield varies depending on factors such as the printer settings you choose, the toner coverage on each printed page, and the size of the paper you use.



Printing

Using color

Paper handling

Maintenance

Troubleshooting

Administration

Index

Your printer monitors the life of your waste toner bottle. When the waste toner bottle is nearing full, the printer shows **83 Waste Toner Bottle Near Full**. It is time for you to replace or empty your waste toner bottle.

If you do not already have a replacement waste toner bottle available, order one at this time. For more information on ordering a waste toner bottle, see [Ordering supplies](#).

Press **Go** to clear the message. The **Supplies** message appears on the second line of the operator panel to remind you that supplies need attention.

The printer continues to show **Waste Toner Bottle Near Full** in the Supplies Menu until you replace or empty the waste toner bottle or until it is full.

When the waste toner bottle becomes full, the printer stops printing and **83 Waste Bottle Full or Missing** appears. You must replace the waste toner bottle to clear this message and continue printing.

Whenever you install a new waste toner bottle, make sure you clean the developer charger on the photo developer. The developer charger prepares the photo developer to accept the toner that makes up your printed image. To prevent streaks and voids and to ensure print quality, the developer charger needs to be cleaned periodically. We recommend cleaning the developer charger when you replace the waste toner bottle. For more information, see [Cleaning the developer charger](#).

When you need to install a new waste toner bottle, see [Replacing the waste toner bottle](#) or the installation instructions that come with the new waste toner bottle.



Printing

Using color

Paper handling

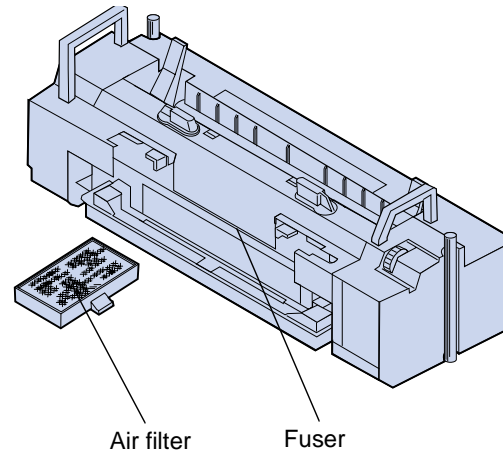
Maintenance

Troubleshooting

Administration

Index

Fuser and air filter kit



The fuser uses heat and pressure to permanently bond the toner to the print media. The air filter removes dust and other contaminants from the printer. You receive a new filter each time you order the fuser kit. The approximate yield of the fuser and air filter is 40,000 pages.

Your printer monitors the life of your fuser. When the fuser reaches the end of its life, the printer shows 87 **Fuser Exhausted**. It is time for you to replace your fuser and air filter.



Printing

Using color

Paper handling

Maintenance

Troubleshooting

Administration

Index

If you do not already have a replacement fuser and air filter kit available, order one at this time. For more information on ordering a fuser and air filter kit, see [Ordering supplies](#).

Press **Go** to clear the message. The **Supplies** message appears on the second line of the operator panel to remind you that supplies need attention.

The printer continues to display the **Fuser Exhausted** in the Supplies Menu until you replace the fuser and air filter.

When the fuser is exhausted you may experience poor print quality and an increase in paper jams. When you need to install a new fuser and air filter, see [Replacing the fuser kit](#) or the installation instructions that come with the new fuser and air filter.



Printing

Using color

Paper handling

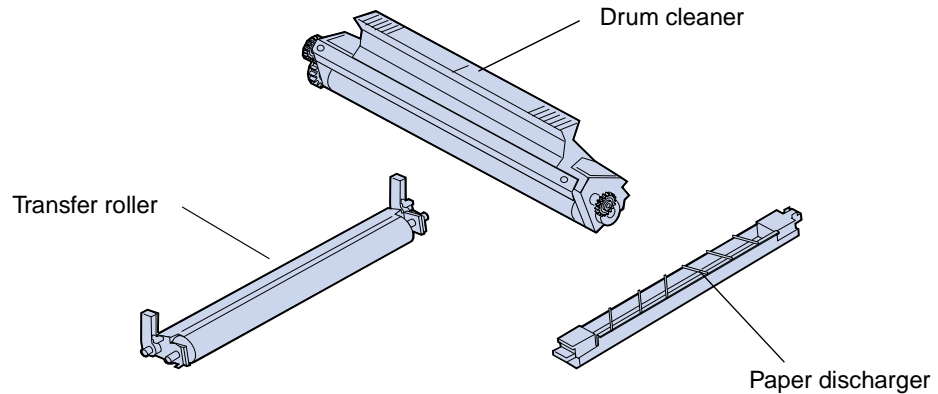
Maintenance

Troubleshooting

Administration

Index

Maintenance kit



The maintenance kit consists of three components; the transfer roller, paper discharger and drum cleaner. These components work together to transfer your print image to the media you have selected.

The paper discharger reduces the occurrence of paper jams at the transfer drum. The transfer roller pulls the image from the transfer drum onto the print media. The drum cleaner removes excess toner and other contaminants from the transfer drum after the print image is



Printing

Using color

Paper handling

Maintenance

Troubleshooting

Administration

Index

transferred to the print media. All three components have an effect on print quality. The approximate yield of the maintenance kit is 120,000 pages.

Your printer monitors the life of your maintenance kit. When the maintenance kit reaches the end of its life, the printer shows **80 Scheduled Maintenance**. It is time for you to replace your maintenance kit.

If you do not already have a replacement maintenance kit available, order one at this time. For more information on ordering a maintenance kit, see [Ordering supplies](#).

Press **Go** to clear the message. The **Supplies** message appears on the second line of the operator panel to remind you that supplies need attention.

The printer continues to show **Scheduled Maintenance** in the Supplies Menu until you replace the maintenance kit.

When the maintenance kit is exhausted, you may experience poor print quality. When you need to install a new maintenance kit, see [Replacing the maintenance kit](#) or the installation instructions that come with the new maintenance kit.



Printing

Using color

Paper handling

Maintenance

Troubleshooting

Administration

Index

Ordering supplies

Routine maintenance supplies

Part number	Item	Approximate yield
15W0903	Black toner cartridge	12,000 pages (5% toner coverage)
15W0901	Magenta toner cartridge	7,200 pages (5% toner coverage)
15W0900	Cyan toner cartridge	
15W0902	Yellow toner cartridge	
15W0905	Fuser cleaning roll	12,000 pages
15W0906	Oil bottle	12,000 pages
15W0907	Waste toner bottle	12,000 images
15W0904	Photo developer cartridge	40,000 images
15W0908	Fuser kit (low voltage; consists of fuser and air filter)	40,000 pages
15W0909	Fuser kit (high voltage; consists of fuser and air filter)	40,000 pages
12G7220	Maintenance kit (consists; of transfer roller, paper discharger and drum cleaner)	120,000 pages



Printing

Using color

Paper handling

Maintenance

Troubleshooting

Administration

Index

Other supplies

Part number	Item
12A5590	Transparencies (letter size)
12A5591	Transparencies (A4 size)

For more information about the supplies available to you from Lexmark, you can visit Lexmark on the World Wide Web at www.lexmark.com. You can also get the latest information on the location and telephone numbers for Authorized Supplies Dealers in your area.

In the U.S., you can call 1-800-438-2468 to order supplies or to request information about Lexmark Authorized Supplies Dealers in your area. The following table lists appropriate phone numbers for other countries. In countries not listed, contact a representative at the place where you bought your printer.

Contacts for supplies information

Region	Country	Phone number
North America	Canada	(888) 453-9226
	U.S.	(800) 438-2468



Printing

Using color

Paper handling

Maintenance

Troubleshooting

Administration

Index

Contacts for supplies information (continued)

Region	Country	Phone number
Latin America	Headquarters	305 447 2200
	Argentina	54 1 319 8900
	Brazil	55 11 820 5733
	Mexico	52 5 254 2435
Asia / Pacific	Australia	1300 362 192
	Hong Kong	852 825 6168
	Japan	81 3 3523 7077
	Singapore	65 227 3488
	Taiwan	886 2 713 1000



Printing

Using color

Paper handling

Maintenance

Troubleshooting

Administration

Index

Contacts for supplies information (continued)

Region	Country	Phone number
Europe	Austria	43 1 797 32 0
	Belgium	32 2 716 74 11
	Denmark	45 45 82 55 11
	Finland	358 0 452 34 00
	France	33 1 46 67 40 00
	Germany	49 6074 488 0
	Italy	39 2 28 103 1
	Netherlands	31 20 56 32 800
	Norway	47 22 76 35 00
	Spain	34 1 436 0048
	Sweden	46 8 705 79 00
	Switzerland	41 1 722 88 11
United Kingdom	44 1628 481 500	



Printing

Using color

Paper handling

Maintenance

Troubleshooting

Administration

Index

Storing supplies

Choose a cool, clean storage area for your printer supplies. Store toner cartridges and other supplies in their original packaging until you are ready to install them.

Do not expose printer supplies to:

- Direct sunlight
- Temperatures above 35°C (95°F)
- High humidity (above 80%)
- Salty air
- Corrosive gases
- Heavy dust

