

Printing

Paper handling

Maintenance

Troubleshooting

Administration

Index

The pick rollers come in a package of 15 in the maintenance kit. Replace three in each tray when the printer issues the 80 **Scheduled Maintenance** message. If you don't have a high capacity feeder, you will have nine pick rollers left over from the package.

A pick roller transports the paper from an input tray to the paper path.

## Removing old pick rollers

- 1 Remove trays 1 and 2 from the printer, and trays 3 and 4 from the optional high capacity input feeder if it is installed. See the following topics to complete this step:
  - **Behind trays 1, 2, and 3**
  - **Behind Tray 4**
- 2 Set all trays aside.
- 3 Open tray 5 completely.

**Note:** The following illustrations show the process of removing old pick rollers; however, the illustrations do not show all the trays removed. Focus on the removal of the pick rollers. Ignore the trays still in the illustrations.



Printing

Paper handling

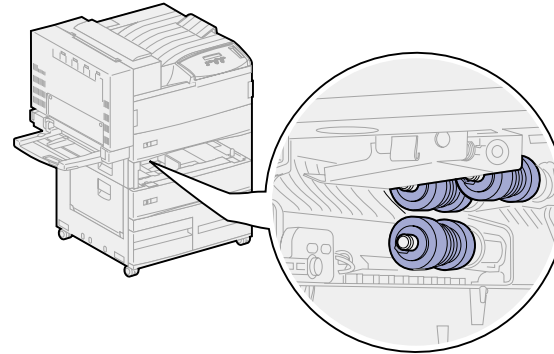
Maintenance

Troubleshooting

Administration

Index

- 4 Start with the opening left by removing tray 1 and locate three pick rollers in the upper left corner inside the printer.



Printing

Paper handling

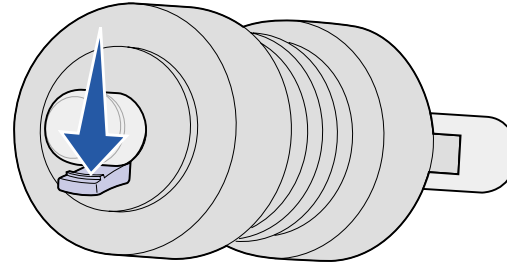
Maintenance

Troubleshooting

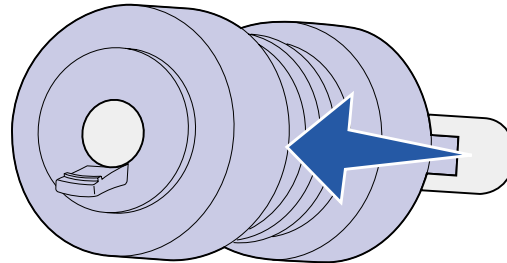
Administration

Index

- 5 Turn the bottom pick roller counterclockwise until you see the small tab on the end.
- 6 Push the tab away from the metal bar.



- 7 Pull the pick roller straight out.



Printing

Paper handling

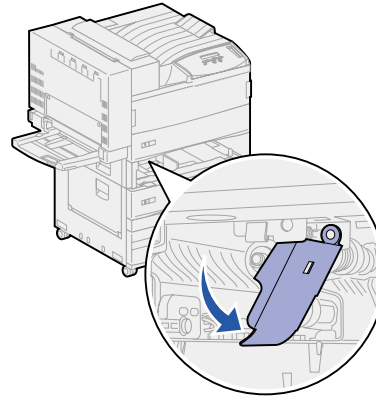
Maintenance

Troubleshooting

Administration

Index

- 8 Locate the spring-loaded metal plate in front of the two top pick rollers.
- 9 Pull the metal plate down and to the right. Hold it in place.



Printing

Paper handling

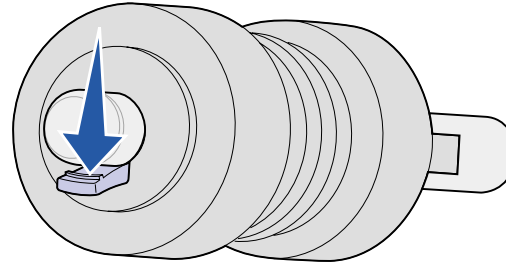
Maintenance

Troubleshooting

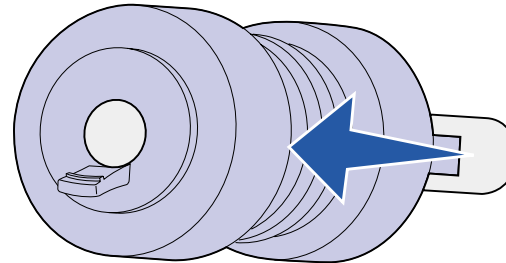
Administration

Index

- 10 Remove the other two pick rollers. Top pick rollers rotate either way to locate the tab.
  - a Push the tab away from the metal bar.



- b Pull the pick roller straight out.



- 11 Dispose of the pick rollers.

**CAUTION!** To prevent a falling hazard, dispose of the pick rollers immediately and in a proper manner.



Printing

Paper handling

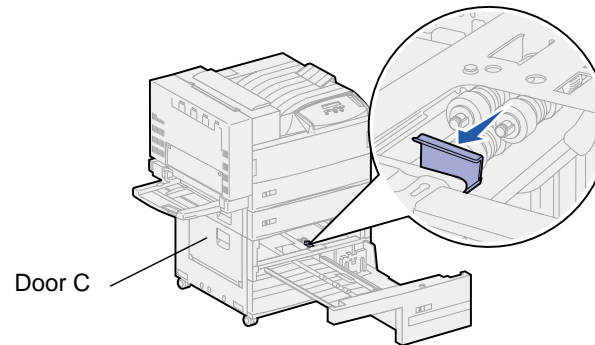
Maintenance

Troubleshooting

Administration

Index

- 12 Complete **step 5 on page 3** to **step 11 on page 5** for tray 2, and tray 3 if you have the optional high capacity feeder installed.
- 13 For tray 4, open Door C for better access. Then, complete **step 5 on page 3** to **step 11 on page 5**.
- 14 For tray 5, pull the metal plate in front of the pick rollers forward.



- 15 Remove the three pick rollers in tray 5 as follows:
  - a Complete **step 5 on page 3** to **step 7 on page 3**.
  - b Complete **step 10 on page 5** to **step 11 on page 5**.

Printing

Paper handling

Maintenance

Troubleshooting

Administration

Index

## Installing new pick rollers

- 1 Remove the packaging from the new pick rollers.

**Note:** Complete the following steps for trays 1 and 2, and for trays 3 and 4 if you have the optional high capacity feeder installed.



Printing

Paper handling

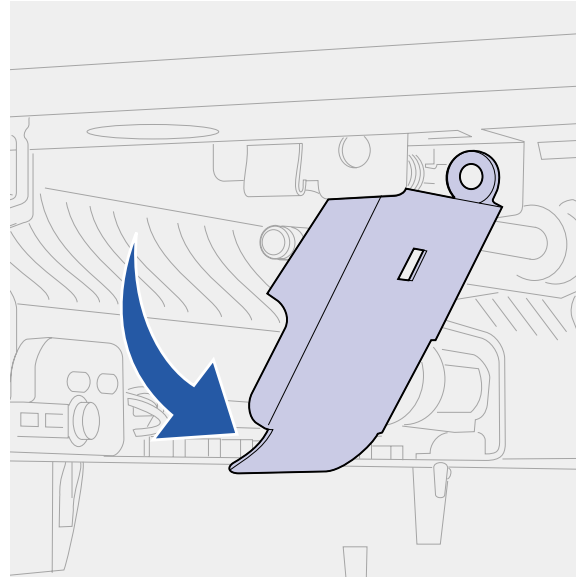
Maintenance

Troubleshooting

Administration

Index

2 Pull the spring-loaded metal plate down and to the right. Hold it in place.





Printing

Paper handling

Maintenance

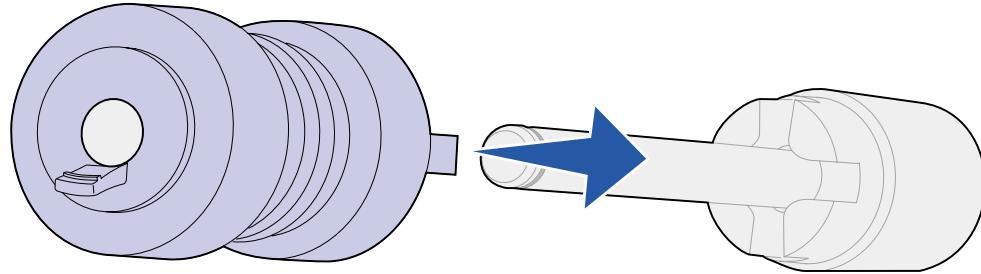
Troubleshooting

Administration

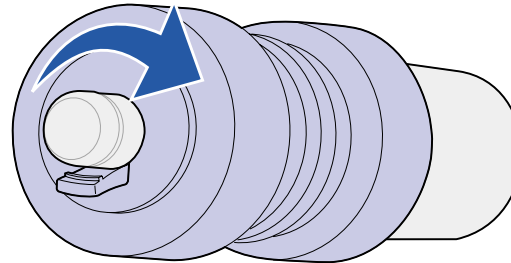
Index

**3** Install the top left pick roller:

**a** Slide the pick roller onto the metal bar until it *snaps* into place.



**b** Pull the pick roller gently to see if it is attached. If it pulls loose, then push it back on and turn it clockwise.



**4** Repeat the instructions for **step 3** to install the top right pick roller.



Printing

Paper handling

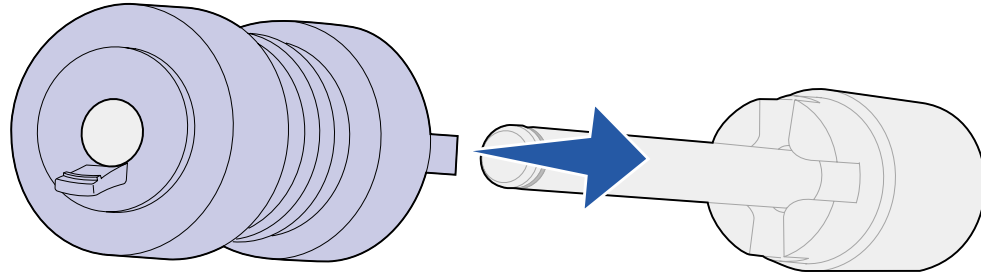
Maintenance

Troubleshooting

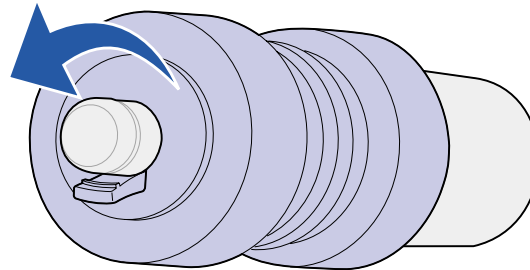
Administration

Index

- 5 Release the metal plate.
- 6 Slide the bottom pick roller onto its metal bar until it *snaps* into place.



- 7 Pull the pick roller gently to see if it is attached. If it pulls loose, then push it back on and turn it counterclockwise.



Printing

Paper handling

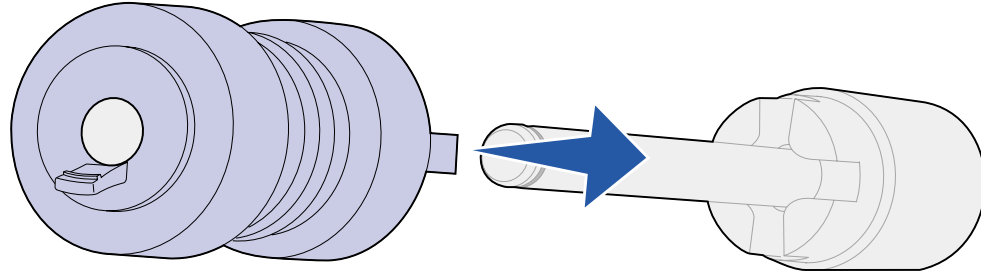
Maintenance

Troubleshooting

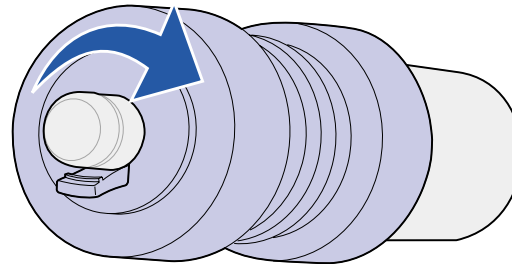
Administration

Index

- 8 For tray 5, pull the metal plate toward you. See [step 14 on page 6](#) for an illustration.
- 9 Install the top right pick roller:
  - a Slide the pick roller onto the metal bar until it *snaps* into place.



- b Pull the pick roller gently to see if it is attached. If it pulls loose, then push it back on and turn it clockwise.



Printing

Paper handling

Maintenance

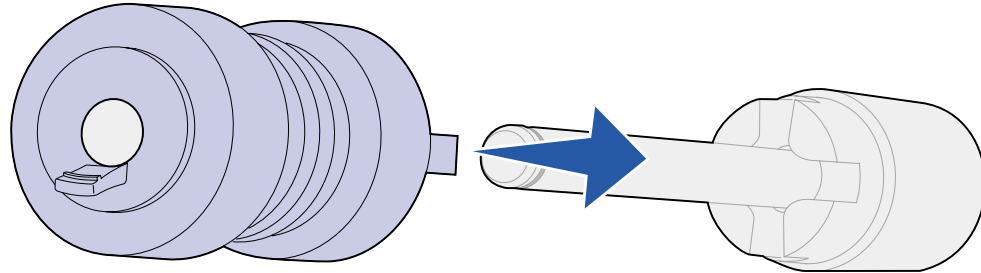
Troubleshooting

Administration

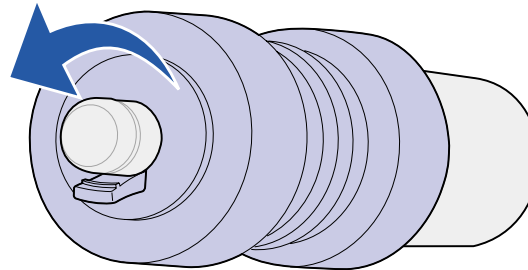
Index

**10** Repeat the instructions for **step 9 on page 11** to install the top left pick roller.

**11** Slide the bottom pick roller onto its metal bar until it *snaps* into place.



**12** Pull the pick roller gently to see if it is attached. If it pulls loose, then push it back on and turn it counterclockwise.



Printing

Paper handling

Maintenance

Troubleshooting

Administration

Index

## Closing up

- 1 Reinstall trays 1, 2, and 3. See **step 5** of **Behind trays 1, 2, and 3** or more information.
- 2 Reinstall tray 4. See **step 6** of **Behind Tray 4** for more information.
- 3 Close tray 5. The action of closing the tray forces the metal plate back into place.
- 4 If you have already replaced all the items listed in the following note, you may turn the printer on.

**Note:** Make sure you also follow the instructions in **Replacing the fuser**, **Replacing the transfer roller**, **Cleaning the wiper blade**, and **Resetting the maintenance page counter**. ▲

