

English

Edition: September 2004

The following paragraph does not apply to any country where such provisions are inconsistent with local law: LEXMARK INTERNATIONAL, INC., PROVIDES THIS PUBLICATION "AS IS" WITHOUT WARRANTY OF ANY KIND, EITHER EXPRESS OR IMPLIED, INCLUDING, BUT NOT LIMITED TO, THE IMPLIED WARRANTIES OF MERCHANTABILITY OR FITNESS FOR A PARTICULAR PURPOSE. Some states do not allow disclaimer of express or implied warranties in certain transactions; therefore, this statement may not apply to you.

This publication could include technical inaccuracies or typographical errors. Changes are periodically made to the information herein; these changes will be incorporated in later editions. Improvements or changes in the products or the programs described may be made at any time.

Comments about this publication may be addressed to Lexmark International, Inc., Department F95/032-2, 740 West New Circle Road, Lexington, Kentucky 40550, U.S.A. In the United Kingdom and Eire, send to Lexmark International Ltd., Marketing and Services Department, Westhorpe House, Westhorpe, Marlow Bucks SL7 3RQ. Lexmark may use or distribute any of the information you supply in any way it believes appropriate without incurring any obligation to you. You can purchase additional copies of publications related to this product by calling 1-800-553-9727. In the United Kingdom and Eire, call +44 (0)8704 440 044. In other countries, contact your place of purchase.

References in this publication to products, programs, or services do not imply that the manufacturer intends to make these available in all countries in which it operates. Any reference to a product, program, or service is not intended to state or imply that only that product, program, or service may be used. Any functionally equivalent product, program, or service that does not infringe any existing intellectual property right may be used instead. Evaluation and verification of operation in conjunction with other products, programs, or services, except those expressly designated by the manufacturer, are the user's responsibility.

Lexmark and Lexmark with diamond design, are trademarks of Lexmark International, Inc., registered in the United States and/or other countries. MarkVision is a trademark of Lexmark International, Inc., registered in the United States and/or other countries.

ImageQuick is a trademark of Lexmark International, Inc.

PostScript® is a registered trademark of Adobe Systems Incorporated.

© 2004 Lexmark International, Inc.

All rights reserved.

UNITED STATES GOVERNMENT RIGHTS

This software and any accompanying documentation provided under this agreement are commercial computer software and documentation developed exclusively at private expense.

FCC emissions information

Federal Communications Commission (FCC) compliance information statement

This MFP complies with the limits for a Class A digital device, pursuant to Part 15 of the FCC Rules. Operation is subject to the following two conditions:


- (1) this device may not cause harmful interference, and
- (2) this device must accept any interference received, including interference that may cause undesired operation.

Any questions on this statement should be directed to:

Director of Lexmark Technology & Services
Lexmark International, Inc.
740 West New Circle Road
Lexington, KY 40550
(859) 232-3000

Refer to the online documentation for additional compliance information.

Safety information

- If your product is *not* marked with this symbol , it *must* be connected to an electrical outlet that is properly grounded. **CAUTION:** Do not set up this product or make any electrical or cabling connections, such as the power cord or telephone, during a lightning storm.
- The power cord must be connected to an electrical outlet that is near the product and easily accessible.
- Refer service or repairs, other than those described in the operating instructions, to a professional service person.
- This product is designed, tested, and approved to meet strict global safety standards with the use of specific Lexmark components. The safety features of some parts may not always be obvious. Lexmark is not responsible for the use of other replacement parts.
- Your product uses a laser. **CAUTION:** Use of controls or adjustments or performance of procedures other than those specified herein may result in hazardous radiation exposure.
- Your product uses a printing process that heats the print media, and the heat may cause the print media to release emissions. You must understand the section in your operating instructions that discusses the guidelines for selecting print media to avoid the possibility of harmful emissions.

Conventions

It may help you to recognize the caution, warning, and note conventions used in this book. These appear in the left column for easy reference.

CAUTION: A caution identifies something that could cause you harm.

Warning: A warning identifies something that could damage your printer hardware or software.

Note: A note provides information you may find useful.

Static sensitivity notice



Warning: This symbol identifies static-sensitive parts. Do not touch in the areas near these symbols without first touching the metal frame of the MFP.

Contents

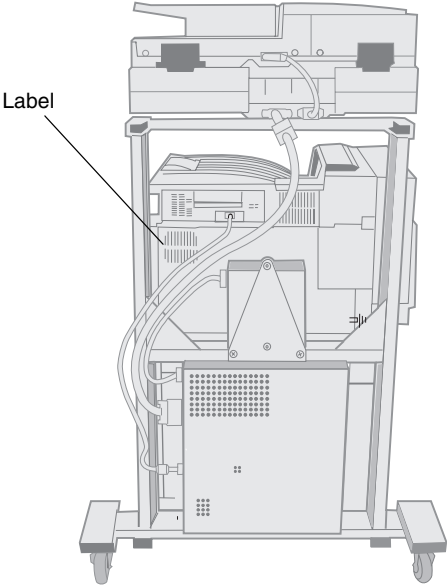


Look what's new	1
Setting up and using the Lexmark X830e and X832e	2
Maintaining the Lexmark X830e and X832e	2
Update to print cartridge information	2
Update to noise emission levels	3
ImageQuick	3
Installing drivers	3
MarkVision Professional	6
Update to MFP stand setup	7

Look what's new

This document provides product information updates for the Lexmark™ X830e (4025-N02) and Lexmark X832e (4025-N03). This information supplements information in the user documentation available on the publications CD and in the *Setup Guide*. Keep this booklet with the MFP user documentation.

To identify the MFP model you have, you must look for the type number of the MFP. The type number is located on the back of the printer:



Based on the following machine type, you can determine the print speed of the MFP you have:

Machine Type numbers	Print speed
4025-N02	35 ppm
4025-N03	45ppm

Setting up and using the Lexmark X830e and X832e

To set up the Lexmark X830e and X832e, refer to the instructions for the Lexmark X820e in the *Setup Guide*. To load the trays and for information on supported print media for the Lexmark X830e and X832e, refer to the instructions for the Lexmark X820e in the *User's Reference* available on the publications CD.

Maintaining the Lexmark X830e and X832e

To maintain the Lexmark X830e and X832e, refer to the instructions for the Lexmark X820e in the *User's Reference* available on the publications CD.

Update to print cartridge information

When installing or removing your print cartridge, refer to the print cartridge information in the Maintenance chapter of the *User's Guide*, available on the publications CD.

To order a print cartridge for the X830e or X832e, go to **www.lexmark.com** or contact a Lexmark authorized dealer. The part number is **X8302KH**.

Update to cartridge yield

Machine type number	Pages (letter/A4)	Approximate coverage
4025-N02	???	5%
4025-N03	???	5%

Lexmark Cartridge Collection Program

Follow the instructions located in the new print cartridge box to recycle the used print cartridge. When you return a used print cartridge, you contribute to a worldwide recycling effort at no cost to you.

To return your Lexmark products to Lexmark for recycling, visit our Web site at **www.lexmark.com/recycle** and follow the instructions on your screen.

Look what's new

Update to noise emission levels

The following measurements were made in accordance with ISO 7779 and reported in conformance with ISO 9296.

1-meter average sound pressure, dBA		
State	MFP Model	
	4025-N02	4025-N03
Printing	???	???
Idling	???	???
Copying	???	???
Scanning	???	???

NA = Not applicable

ImageQuick

Your X830e and X832e MFP bundle comes with the ImageQuick™ Card installed. ImageQuick lets you send images and PDF files directly to your printer using DOS, FTP, or lpr copy commands, bypassing any application and printer driver. For publications and other information about ImageQuick, visit our Web site at www.lexmark.com.

Installing drivers

Note: For the latest printer driver, visit our Web site at www.lexmark.com.

Use the drivers that are located on your printer drivers CD. For more information on installing your driver, refer to your printer setup guide.

Network printing

*Read the detailed instructions on the drivers CD. Click **View Documentation** and look for network printer installation.*

If you choose to install without using the instructions on the drivers CD, you need a basic understanding of network printing on TCP/IP networks, printer driver installation, and the process involved in adding new network ports.

Windows

Ports

The following network printer ports are supported:

- Microsoft IP port (Windows NT 4.0 and Windows 2000)
- Lexmark network port (Windows 95/98/Me, Windows NT 4.0, Windows XP, and Windows 2000)

Printer drivers

The following printer driver is supported:

- Lexmark W820 print driver

Printing methods

The following network printing methods are supported:

- Direct IP printing
- Shared printing (point and print, peer-to-peer)

Macintosh

Note: A PostScript Printer Description (PPD) file provides detailed information about the capabilities of a printer to UNIX or Macintosh drivers or applications.

This MFP has been designed to work with the W820 PPD. An installer and specific information about network installation on Macintosh computers can be found on the drivers CD that shipped with your printer. This PPD will need to be manually selected during setup.

UNIX/Linux

Your printer supports many UNIX and Linux platforms, such as Sun Solaris and RedHat.

Note: The Sun Solaris package is located on the drivers CD.

Lexmark provides a printer driver package on the drivers CD for each supported UNIX and Linux platform containing all the necessary drivers and PPDs. The User's Guide contained in each package gives detailed instructions for installing and using Lexmark printers in UNIX and Linux environments.

Look what's new

NetWare

Your Lexmark X830e and X832e MFP works with both Novell Distributed Print Services (NDPS) and regular queue-based NetWare environments.

Novell Distributed Print Services (NDPS)

If you have an NDPS environment, we recommend you install the Lexmark NDPS IP Gateway. The gateway tightly integrates your printers with NDPS so you can easily monitor, control, and print to them.

You can get the gateway, the snap-ins, the support files and a white paper with installation instructions on the Web at **www.lexmark.com**.

Additional information about network printer installation can be found in the online documentation on the drivers CD that shipped with your printer.

Non-NDPS (queue-based)

For the latest information about Lexmark support for non-NDPS (queue-based) environments, click **View Documentation** on the drivers CD and look for network printer installation.

Local printing

*Read the detailed online instructions on the drivers CD. Click **View Documentation** and look for information about local printer installation. Detailed instructions are provided for parallel and USB connections.*

Windows

Supported connections

The following printer connections are supported:

- Parallel (Windows 95/98/Me, Windows NT 4.0, Windows XP, and Windows 2000)
- USB (Windows 98/Me, Windows XP, and Windows 2000)

Look what's new

Printer drivers

The following printer driver is supported:

- Lexmark W820 print driver

Macintosh

This printer has been designed to work with the W820 PPD. An installer and specific information about local installation on Macintosh computers can be found on the drivers CD that shipped with your printer. This PPD will need to be manually selected during setup.

After the printer is installed, print a test page to verify your printer is correctly set up.

UNIX/Linux

Your printer supports many UNIX and Linux platforms, such as Sun Solaris and RedHat.

Lexmark provides a printer driver package on the drivers CD for each supported UNIX and Linux platform containing all the necessary drivers and PPDs. The User's Guide contained in each package gives detailed instructions for installing and using Lexmark printers in UNIX and Linux environments.

Note: The Sun Solaris package is located on the drivers CD.

All the driver packages support local printing using a parallel connection. The driver package for Sun Solaris supports USB connections to Sun Ray appliances and Sun workstations.

MarkVision Professional

MarkVision™ Professional, a printer management utility, indicates when it's time to replace supplies and points out actual or potential problems. When a printer needs attention, it alerts you with a detailed graphic of the printer showing the cause for the alert (for example, an empty paper tray).

Lexmark periodically updates the functionality of MarkVision Professional. To obtain the latest version of MarkVision Professional, including specific support for these MFPs, visit our Web site at www.lexmark.com.

Look what's new

Update to MFP stand setup

The setup instructions for the MFP stand that are in the MFP Setup Guide have been updated since the release of the publication. Please use the setup instructions that are included with the stand.

Look what's new