

Lexmark

2010 New York State Office of General Services Aggregate Printer Purchase Initiative

Lexmark Website
shop.lexmark.com/stateny

NY State Office of General Services Website
ogs.state.ny.us/purchase/printerpurchase.htm



Table of Contents

CONTACT INFORMATION

Contractor Contact Information	4
Reseller Contact Information	5
Ordering Information	6

OVERVIEW

Lexmark Official Press Release	8
Lexmark Products	9

WORKGROUP BLACK & WHITE - LOW END

Lexmark E460dn	10
Pricing	11
Integrated Wireless Option: Lexmark E460dw	12
Awards	12
Specifications	12
Options Configuration Infographic	13

WORKGROUP BLACK & WHITE - MID RANGE

Lexmark T650dn	14
Pricing	15
Awards	16
Specifications	16
Options Configuration Infographic	17

WORKGROUP BLACK & WHITE - HIGH END

Lexmark T654dn	18
Pricing	19
Integrated Hard Disk Option: Lexmark T656dne	20
Awards	20
Specifications	20
Options Configuration Infographic	21

WORKGROUP COLOR - LOW END

Lexmark C544dn	22
Pricing	23
Integrated Wireless Option: Lexmark C544dw	23
Awards	24
Specifications	24
Options Configuration Infographic	25

WORKGROUP COLOR - HIGH END

Lexmark C736dn	26
Pricing	27
Awards	28
Specifications	28
Options Configuration Infographic	29

MULTIFUNCTION COLOR - LOW END

Lexmark X544dn	30
Pricing	31
Integrated Wireless Option: Lexmark X544dw	32
Awards	32
Specifications	32
Options Configuration Infographic	33

MULTIFUNCTION COLOR - HIGH END

Lexmark X738de	34
Pricing	35
Awards	36
Specifications	36
Options Configuration Infographic	37

MULTIFUNCTION B&W - LOW END

Lexmark X464de	38
Pricing	39
Awards	40
Specifications	40
Options Configuration Infographic	41

MULTIFUNCTION B&W - MID RANGE

Lexmark X466de	42
Pricing	43
Integrated Wireless Option: Lexmark X466dwe	44
Awards	44
Specifications	44
Options Configuration Infographic	45

MULTIFUNCTION B&W - HIGH END

Lexmark X654de	46
Pricing	47
Integrated Hard Disk Option: Lexmark X656de	48
Awards	48
Specifications	48
Options Configuration Infographic	49

ADDITIONAL SERVICES

Basic Assessment Services	50
Deployment Services	50
Disposal Services	50
Trade-In Services	50
Lexmark Distributed Fleet Management (DFM)	51
Training	51
Discovery	51
Project Management	51
Forms Design, Data Mapping	51
Assessment Management	51

PART NUMBER & PRICING INDEX

Part Number Index	52
-------------------	----

Contractor Contact Information

Quotes, Orders, and Sales Inquiries:

Market	Contact Information	Named Accounts
NYC Agencies Hospitals / Health Systems	Name: Colleen Masri Phone: (212) 880-2823 Fax: (212) 880-2828 Email: cmasri@lexmark.com	City of New York (Agencies) NYC Health & Hospitals Corporation NY Presbyterian Healthcare System NYU Medical Center
Higher Education	Name: Jeff Giletto Phone: (212) 880-2812 Fax: (212) 880-2828 Email: jgiletto@lexmark.com	State University of New York System City University of New York System Columbia University New York University
NYC K-12 Education	Name: Mindy Maher Phone: (631) 724-5145 Fax: (212) 880-2828 Email: mmaher@lexmark.com	NYC Board of Education NYC Human Resources Administration
Long Island Local Government Long Island K-12 Education	Name: Patrick Leccese Phone: (631) 403-0539 Fax: (860) 675-0539 Email: pleccese@lexmark.com	County of Nassau (Gov't & K-12) County of Suffolk (Gov't & K-12) Hofstra University
Western NY Local Government Western NY K-12 Education Rochester	Name: Bob Foley Phone: (585) 415-9412 Fax: (212) 880-2828 Email: rfoley@lexmark.com	Rochester City School District Western NY Local Government Western NY K-12 WNYRIC BOCES
BOCES NY State Government NY State K-12 Education Local Government Albany Syracuse	Name: Vernon Aldershoff Phone: (518) 357-4029 Fax: (212) 880-2828 Email: vernona@lexmark.com	All Upstate Counties City of Syracuse CNYRIC BOCES County of Orange LHRIC BOCES MHRIC BOCES NERIC BOCES NY State & Local Government NY State K-12 Syracuse University Westchester County
Specific Health Systems	Name: Gail Zwerman Phone: (631) 271-1687 Fax: (631) 271-1788 Email: gzwerman@lexmark.com	North Shore LIJ Mount Sinai Hospital
All Other Inquiries	Name: Jared Vichengrad Phone: (212) 880-2806 Fax: (212) 880-2828 Email: jaredav@lexmark.com	District Manager, Northeast

Non-Hardware Related Contract Inquiries:

Business Name & Address	Contact Information	Contract	Federal ID
Lexmark International, Inc. 740 West New Circle Road Lexington, KY 40550	Name: Mary Beth Carter Title: Public Sector Contract Specialist Phone: (859) 232-2116 Email: carterm@lexmark.com	PT58730	06-1308215

Toll- Free Support: (877) 539-6275

Reseller Contact Information

Business Name & Address	Contact Information	Federal ID / MWBE / SBE
CDW Government Inc. 230 N Milwaukee Ave. Vernon Hills, IL 60061	Name: Mike Ballester Phone: (203) 851-7162 Fax: (203) 899-7641 Email: mike.ballester@cdwg.com	36-4230110
Core BTS 1373-10 Veterans Memorial Hwy Hauppauge, NY 11788	Name: Matthew Pomara Phone: (631) 730-7175 Fax: (631) 730-7173 Email: lexmark@corebts.com	20-3873764
Corporate Computer Solutions 55 Halstead Ave. Harrison, NY 10529	Name: Ann Martino Phone: (914) 835-1105 Fax: (914) 835-5947 Email: amartino@corporatecomputersol.com	13-3352744 MBE / SBE
Custom Computer Specialists Inc. 70 Suffolk Ct. Hauppauge, NY 11788	Name: Peter Hazen Phone: (800) 598-8989 Fax: (800) 986-5518 Email: sales@customonline.com	11-2497640
Garic Inc. 60 E 42nd St. Suite 2102 New York, NY 10165	Name: Patrick O'Keefe Phone: (646) 487-0103 x 105 Fax: (646) 227-1128 Email: patrick@garicinc.com	06-1591198 MBE / SBE
Metroland Business Machines 20 Petra Lane Albany, NY 12205	Name: David Richter Phone: (518) 452-2600 Fax: (518) 452-2603 Email: drichter@metrobusma.com	14-1560263 SBE
Nfrastructure Technologies 5 Enterprise Ave. Clifton Park, NY 12065	Name: Tony Riccio Phone: (518) 664-3899 Fax: (518) 664-1123 Email: tony.riccio@nfrastructure.com	22-3771456
PC University Distributors Inc. 99 W Hawthorne Ave Ste 521 Valley Stream, NY 11580	Name: Geoffrey Miller Phone: (516) 596-1500 Fax: (516) 596-1515 Email: gmm@pcuniversity.com	11-3318287 SBE

Business Name & Address	Contact Information	Federal ID / MWBE / SBE
Ready Data Inc. 347 5th Ave Ste 600A New York, NY 10016	Name: Floyd Eden Phone: (212) 725-3403 Fax: (212) 725-3986 Email: readydata@aol.com	13-3076674 SBE
Synergy Global Solutions Inc. 1100 Pittsford-Victor Rd Pittsford, NY 14534	Name: Jenifer Langer Phone: (585) 381-4120 x 7370 Fax: (585) 264-6058 Email: jlanger@synergy.gs	16-0985336
Stellar Services 57 West 38th Street, 11th Floor New York, NY 10018	Name: Han Lim Phone: (212) 432-2848 Fax: (212) 432-2846 Email: hlim@stellar4.com	11-3189413 MBE/SBE
TGI Office Automation 120 3rd Street Brooklyn, NY 11231	Name: Craig Barsky Phone: (718) 237-0060 Fax: (718) 694-9610 Email: cbarsky@tgioa.com	11-2202153 SBE
Trightec (A Division of Tri Group Holdings LLC) 459 Broadway Troy, NY 12180	Name: Chris Pickett Phone: 378-1789 Fax: (518) 664-5731 Email: chris.pickett@trightec.com	80-0335072 MBE
Usherwood Office Technology 1005 West Fayette Street Syracuse, NY 13204	Name: Andrew Flamik Phone: (315) 472-0050 Fax: (315) 472-5022 Email: aflamik@usherwood.com	16-1135311 SBE

Ordering Information

Orders: After placing your order, please send a copy of your completed PO & Quote to the OGS Aggregate Printer Purchase Initiative Administrator, Melissa Gretten, at melissa.gretten@ogs.state.ny.us or fax to (518) 486-6867.

Note: Lexmark International, Inc. is the Contractor and has Authorized Resellers to receive and ship orders. Purchase Orders should reference the Contract Number as well as the 2010 Aggregate Printer Purchase Initiative and be issued directly to a Reseller listed below. Delivery and Billing will be executed by the Reseller. Invoices from the Resellers should be submitted for payment in the usual manner and payment shall be made to the reseller appearing on the invoice. Lexmark International, Inc. will continue to assume full responsibility for all the Terms and Conditions of the Contract and 2010 Aggregate Printer Purchase Initiative.

For your convenience, this page left intentionally blank.

Overview

Lexmark Official Press Release



Contact:
Melissa Lucas
859-232-5806
mlucas@lexmark.com

Lexmark awarded multiple categories from New York State Office of General Services for Aggregate Printer Purchase Initiative

LEXINGTON, Ky., July 21, 2010 – The New York State Office of General Services (OGS) has awarded Lexmark International, Inc. (NYSE: LXX) a one-year purchase initiative for printers and multifunction products (MFPs) based on Lexmark's highest composite ranking in nearly all of the product categories and overall value in the state's Aggregate Printer Purchase Initiative¹.

Lexmark ranked first in nine out of 10 required product categories, following OGS' rigorous review of available printing technology offerings from a variety of suppliers. Lexmark was the only provider to be awarded products in all 10 required printer and MFP categories named in the initiative. Additionally, as part of the initiative Lexmark is providing a three-year warranty that enables OGS to extend the service period of the devices purchased.

Lexmark was named the leader in the following Aggregate Printer Purchase Initiative categories:

- Workgroup black/white (low end, 20 pages per minute (ppm)) - Lexmark E460dn
- Workgroup black/white (midrange, 30 ppm) - Lexmark T650dn
- Workgroup black/white (high end, 45 ppm) - Lexmark T654dn
- Workgroup color (low end, 20 ppm) - Lexmark C544dn
- Workgroup color (high end, 30 ppm) - Lexmark C736dn
- Workgroup multifunction color (low end, 20 ppm) - Lexmark X544dn
- Workgroup multifunction color (high end, 30 ppm) - Lexmark X738de
- Workgroup multifunction black/white (low end, 27 ppm) - Lexmark X464de
- Workgroup multifunction black/white (high end, 45 ppm) - Lexmark X654de

"This Aggregate Printer Purchase Initiative award demonstrates the competitive strength, breadth, depth and overall value of Lexmark's printer and MFP product lines," said Marty Canning, Lexmark vice president and president of its Printing Solutions and Services Division. "Lexmark's mission is to deliver products and services that help state and local agencies and educational institutions manage their output environments more effectively and reduce their overall costs."

For more information, see the "Lexmark" Facebook page and the "LexmarkNews" Twitter feed.

About Lexmark

Lexmark International, Inc. (NYSE: LXX) provides businesses of all sizes with a broad range of printing and imaging products, software, solutions and services that help them to be more productive. In 2009, Lexmark sold products in more than 170 countries and reported approximately \$4.0 billion in revenue. Learn how Lexmark can help you get more done at www.lexmark.com.

Lexmark and Lexmark with diamond design are trademarks of Lexmark International, Inc., registered in the U.S. and/or other countries. All other trademarks are the property of their respective owners.

¹The formal rankings from the 2010 New York State Aggregate Printer Purchase Initiative can be found at <http://www.ogs.state.ny.us/purchase/PrinterPurchase.htm>.

Lexmark Products

Workgroup Black & White: Categories 1, 2, & 3



E460dn
40 PPM



T650dn
45 PPM



T654dn
55 PPM

Workgroup Color: Categories 4 & 5



C544dn
25 PPM B&W / 25 PPM Color



C736dn
35 PPM B&W / 35 PPM Color

Workgroup Multifunction Color: Categories 6 & 7



X544dn
25 PPM B&W / 25 PPM Color



X738de
35 PPM B&W / 35 PPM Color

Workgroup Multifunction Black & White: Categories 8, 9, & 10



X464de
40 PPM



X466de
40 PPM



X654de
55 PPM

Lexmark E460dn

Overview

Ideal for small to midsized workgroups

Recommended monthly print volume: 1,500 – 10,000 pages



Lexmark E460dn

Pricing




A compact, high-endurance printer for individuals and small to midsize workgroups

Printer & Warranty Services	Part #	List Price	Contract Price	Quote Price
Lexmark E460dn Mono Laser Printer	34S0700	\$749.00	\$566.22	\$301.97
1st Year Upgrade to Onsite Service, Next Business Day	2350257	\$29.00	\$23.89	\$20.00
2 Year Extended Onsite Warranty, Next Business Day	2350259	\$249.00	\$205.16	\$167.73

In accordance with NYS OGS, everything must be quoted with a 3 year warranty

Total Price: \$489.70

Options	Part #	List Price	Contract Price	Quote Price
550-Sheet Drawer	34S0550	\$252.00	\$167.03	\$150.33
250-Sheet Drawer	34S0250	\$163.00	\$108.20	\$97.38
128MB DDR1-DRAM	1022298	\$724.00	\$486.38	\$437.74
256MB DDR1-DRAM	1022299	\$749.00	\$503.00	\$452.70
USB Cable (2-meter)	1021294	\$21.00	\$15.76	\$14.18
Ethernet Cable (2-meter)	16A0834	\$25.00	\$19.96	\$17.95
Asset Tag	43C0099	\$225.00	\$100.00	\$15.00
Integrated 802.11b/g/n Wireless: Lexmark E460dw	34S0600	\$874.00	\$660.76	\$410.31
 Pricing listed is for printer w/wireless bundle. +\$108.34 total additional cost for upgrade.				
DOE Bundle				\$30.00
USB Disabling Feature - Standard				

Consumables	Part #	List Price	Contract Price	Quote Price
Highest Yield				
Extra High Yield Return Program Toner Cartridge (15K)	E460X11A	\$336.00	\$196.20	\$131.50
Standard Yield				
Return Program Toner Cartridge (3.5K)	E260A11	\$133.41	\$78.58	\$68.50

Replaceable Service Parts	Part #	List Price	Contract Price	Quote Price
Photoconductor Kit	E260X22G	\$36.00	\$21.63	\$13.84
Fuser Maintenance Kit 110-120V	40X5400	\$399.00	\$225.00	\$0.00
<i>Eligibility for \$0.00 cost Maintenance Kit is contingent upon end-user providing Proof of Purchase of 2 Year Extended Warranty referenced above as well as proof of page count, warranting the order of this Part Number. Limit one maintenance kit per appropriate page volume cycle. Offer only good for the term of the Extended Warranty.</i>				

Additional Warranty Services	Part #	List Price	Contract Price	Quote Price
4 Year Extended Onsite Warranty, Next Business Day	2350261	\$479.00	\$394.66	\$379.33
<i>For State and City agencies seeking 5 years of warranty services. Intended to be purchased instead of the the 2 Year Extended Onsite Warranty, Next Business Day.</i>				

Integrated Wireless Option

Lexmark **E460dw**



Fast, high-quality duplex laser printing and Wi-Fi CERTIFIED™ b/g/n connectivity—a smart move into wireless freedom

Awards

- Better Buys for Business 2010 Editor's Choice Award
- BERTL's Best 2009
- BERTL Highly Recommended
- Better Buys for Business 2009 Editor's Choice Award
- Buyer's Laboratory 2008 Most Outstanding Monochrome Printer Line of the Year

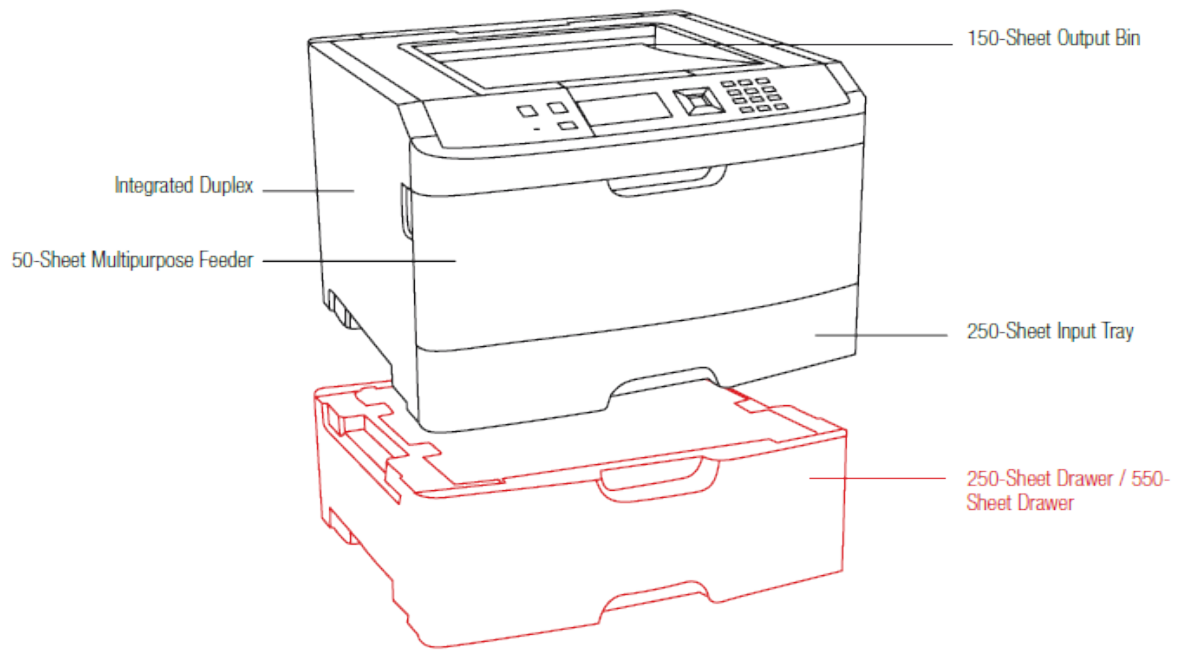


Specifications

Technical Attribute	Specification
Print Technology	Laser
Print Speed	40 PPM
Monthly Duty Cycle	80,000
Print Quality	1200 Image Quality, 1200 x 1200 dpi, 2400 Image Quality, 600 x 600 dpi
Connectivity	Integrated NIC, 10/100, Boot P Capable, Bonjour/Multicast-DNS (mDNS) Capable, USB 2.0 High Speed Certified (Type B)
Print Languages	PCL 5e emulation, PCL 6 emulation, PPDS, PS 3 Emulation, HTML, PDF 1.6 Emulation, Direct Image, Microsoft XPS
Memory	64 MB
Media Type	Paper, recycled paper, Card Stock, Dual Web Labels, Envelopes, Integrated Labels, Paper Labels, Plain Paper, Polyester Labels, Transparencies, Vinyl Labels
Compatibility	Mac OS X, Mac OS 9.2, Windows 7, Server 2008, (WHQL Certified), http://support.lexmark.com
Input	250 Sheet input tray adjustable to 8.5" x 11" and 8.5" x 14", 50 sheet Multi Purpose Feeder Tray.
Duplex	Integrated Automatic Duplex Unit
Energy Management	Energy Star
Footprint (H x W x D)	10.2 x 15.98 x 14.55 in.
Standard Input/Output Capacity	300 Input / 150 Output

Options Configuration

Infographic



- Paper Handling Standard
- Paper Handling Optional

Lexmark T650dn

Overview

Ideal for midsized to large workgroups

Recommended monthly print volume: 3,000 – 20,000 pages



Lexmark T650dn

Pricing



Duplex-printing capability meets great speed in a network-ready monochrome laser built for business

Printer & Warranty Services	Part #	List Price	Contract Price	Quote Price
Lexmark T650dn Mono Laser Printer	30G0106	\$1,039.00	\$791.02	\$528.06
1st Year Upgrade to Onsite Service, Next Business Day	2350301	\$49.00	\$40.37	\$25.00
2 Year Extended Onsite Warranty, Next Business Day	2350303	\$249.00	\$205.16	\$131.87

In accordance with NYS OGS, everything must be quoted with a 3 year warranty

Total Price: \$684.93

Options	Part #	List Price	Contract Price	Quote Price
2000-Sheet High Capacity Feeder	30G0804	\$633.00	\$419.15	\$377.24
550-Sheet Drawer	30G0802	\$316.00	\$209.05	\$188.15
250-Sheet Drawer	30G0800	\$252.00	\$167.03	\$150.33
T65x High Capacity Output Stacker	30G0853	\$506.00	\$335.11	\$301.60
T65x Output Expander	30G0851	\$189.00	\$125.01	\$112.51
T65x 5-Bin Mailbox	30G0852	\$506.00	\$335.11	\$301.60
Envelope Feeder	30G0807	\$316.00	\$209.05	\$188.15
T65x StapleSmart II Finisher	30G0850	\$316.00	\$209.05	\$188.15
400-Sheet Universally Adjustable Tray with Drawer	30G0860	\$421.00	\$278.38	\$250.55
200-Sheet Universally Adjustable Tray with Drawer	30G0871	\$337.00	\$222.71	\$200.44
550-Sheet Lockable Drawer	30G0849	\$379.00	\$251.07	\$225.96
T65x Caster Base	16M1207	\$443.00	\$293.09	\$263.79
128MB DDR1-DRAM	1022298	\$724.00	\$486.38	\$437.74
256MB DDR1-DRAM	1022299	\$749.00	\$503.00	\$452.70
80+GB Hard Disk	14F0102	\$598.00	\$402.34	\$150.00
USB Cable (2-meter)	1021294	\$21.00	\$15.76	\$14.18
Ethernet Cable (2-meter)	16A0834	\$25.00	\$19.96	\$17.95
MarkNet N8120 Gigabit Ethernet	14F0037	\$180.00	\$125.01	\$112.51
MarkNet N8150 802.11/b/g/n Wireless Print Server	14F0040	\$544.00	\$377.13	\$100.00
Asset Tag	43C0099	\$225.00	\$100.00	\$15.00
DOE Bundle				\$30.00
USB Disabling Feature - Standard				
Generic text compatible				
Meets US Department of Defense 5220.22 standard for removal of data, Option M compliant, when Hard Disk is installed				

Consumables	Part #	List Price	Contract Price	Quote Price
Highest Yield High Yield Return Program Print Cartridge (25K)	T650H11A	\$565.00	\$319.27	\$187.95
Standard Yield Return Program Print Cartridge (7K)	T650A11A	\$202.87	\$114.63	\$99.96

Replaceable Service Parts	Part #	List Price	Contract Price	Quote Price
Fuser Maintenance Kit 110-120V <i>Eligibility for \$0.00 cost Maintenance Kit is contingent upon end-user providing Proof of Purchase of 2 Year Extended Warranty referenced above as well as proof of page count, warranting the order of this Part Number. Limit one maintenance kit per appropriate page volume cycle. Offer only good for the term of the Extended Warranty.</i>	40X4724	\$350.00	\$239.28	\$0.00

Additional Warranty Services	Part #	List Price	Contract Price	Quote Price
4 Year Extended Onsite Warranty, Next Business Day <i>For State and City agencies seeking 5 years of warranty services. Intended to be purchased instead of the the 2 Year Extended Onsite Warranty, Next Business Day.</i>	2350305	\$479.00	\$394.66	\$379.33

Awards

- Buyer's Laboratory Fall Pick of the Year
- Buyer's Laboratory Highly Recommended
- BERTL's Best 2009
- Better Buys for Business 2009 Editor's Choice
- Buyer's Laboratory 2008 Most Outstanding Monochrome Printer Line of the Year
- PC Magazine Editor's Choice & 4 Stars

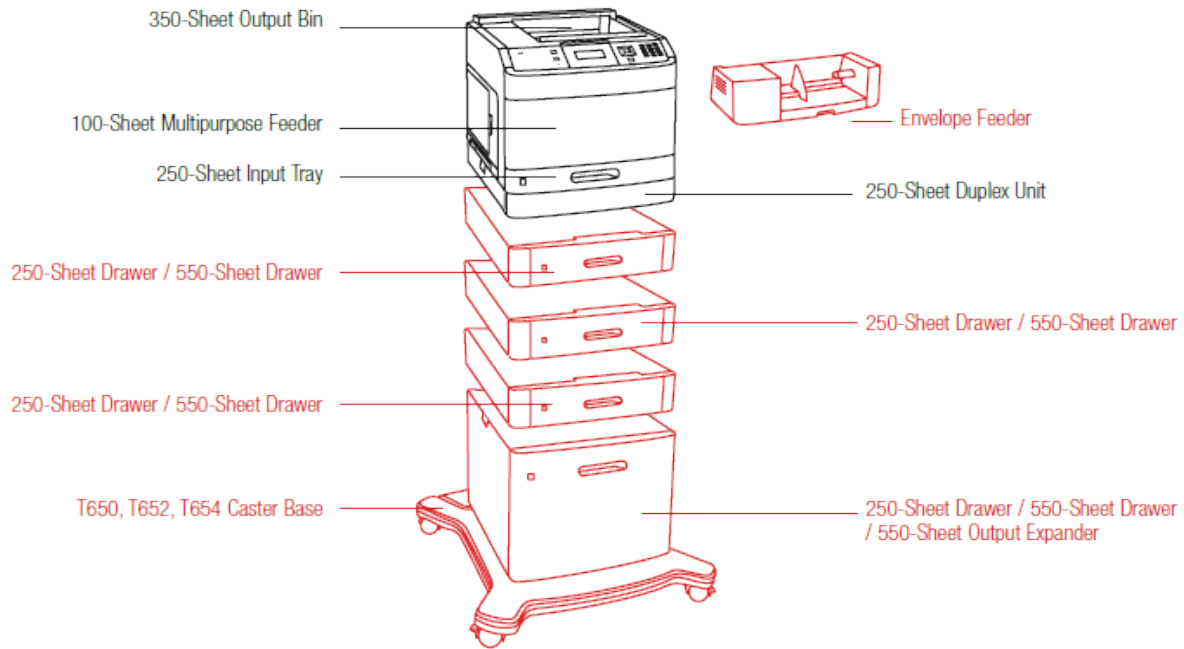


Specifications

Technical Attribute	Specification
Print Technology	Laser
Print Speed	45 PPM
Auto Duplex	Auto Duplex. Up to 36 sides per minute duplex speed.
First Page Out	7.5 Seconds
Monthly Duty Cycle	200,000
Print Quality	1200 Image Quality, 1200 x 1200 dpi, 2400 Image Quality, 600 x 600 dpi
Connectivity	Integrated NIC, 10/100, Boot P Capable, Bonjour/Multicast-DNS (mDNS) Capable, USB 2.0 High Speed Certified (Type B)
Print Languages	PCL 5e emulation, PCL 6 emulation, PPDS, PS 3 Emulation, HTML, PDF 1.6 Emulation, Direct Image, Microsoft XPS
Memory	128 MB
Media Type	Paper, recycled paper, Card Stock, Dual Web Labels, Envelopes, Integrated Labels, Paper Labels, Plain Paper, Polyester Labels, Transparencies, Vinyl Labels
Remote Management Compatibility	Web Based Remote Management via MarkVision Professional Mac OS X, Mac OS 9.2, Windows 7, Server 2008, (WHQL Certified), http://support.lexmark.com
Input	250 Page Drawer adjustable to 8.5" x 11" and 8.5" x 14", 100 Sheet Multipurpose Feeder
Duplex	Automatic
Energy Management	Energy Star
Footprint (H x W x D)	15.8 x 16.7 x 25.2 in.
Standard Input/Output Capacity	350 Input / 350 Output

Options Configuration

Infographic



T65x StapleSmart II Finisher



2 x T65x 5-Bin Mailbox



T65x High Capacity Output Stacker



3 x T65x Output Expander



T65x StapleSmart II Finisher + T65x Output Expander



T65x High Capacity Output Stacker + T65x Output Expander



T65x 5-Bin Mailbox + T65x Output Expander

Paper Handling Standard
 Paper Handling Optional

Lexmark T654dn

Overview

Ideal for midsized to large workgroups

Recommended monthly print volume: 5,000 – 35,000 pages



Lexmark T654dn

Pricing

Max speed, extra high yield, and our solutions-ready platform to boost efficiency and savings



Printer & Warranty Services	Part #	List Price	Contract Price	Quote Price
Lexmark T654dn Mono Laser Printer	30G0300	\$1,782.00	\$1,294.21	\$730.68
1st Year Upgrade to Onsite Service, Next Business Day	2350371	\$39.00	\$32.13	\$20.00
2 Year Extended Onsite Warranty, Next Business Day	2350373	\$349.00	\$287.55	\$210.08

In accordance with NYS OGS, everything must be quoted with a 3 year warranty

Total Price: \$1,060.76

Options	Part #	List Price	Contract Price	Quote Price
2000-Sheet High Capacity Feeder	30G0804	\$633.00	\$419.15	\$377.24
550-Sheet Drawer	30G0802	\$316.00	\$209.05	\$188.15
250-Sheet Drawer	30G0800	\$252.00	\$167.03	\$150.33
T65x High Capacity Output Stacker	30G0853	\$506.00	\$335.11	\$301.60
T65x Output Expander	30G0851	\$189.00	\$125.01	\$112.51
T65x 5-Bin Mailbox	30G0852	\$506.00	\$335.11	\$301.60
Envelope Feeder	30G0807	\$316.00	\$209.05	\$188.15
T65x StapleSmart II Finisher	30G0850	\$316.00	\$209.05	\$188.15
400-Sheet Universally Adjustable Tray with Drawer	30G0860	\$421.00	\$278.38	\$250.55
200-Sheet Universally Adjustable Tray with Drawer	30G0871	\$337.00	\$222.71	\$200.44
550-Sheet Lockable Drawer	30G0849	\$379.00	\$251.07	\$225.96
T65x Caster Base	16M1207	\$443.00	\$293.09	\$263.79
256MB DDR2-DRAM	1025041	\$749.00	\$503.19	\$452.88
512MB DDR2-DRAM	1025042	\$899.00	\$604.04	\$543.64
80+GB Hard Disk	14F0102	\$598.00	\$402.34	\$150.00
USB Cable (2-meter)	1021294	\$21.00	\$15.76	\$14.18
Ethernet Cable (2-meter)	16A0834	\$25.00	\$19.96	\$17.95
MarkNet N8120 Gigabit Ethernet	14F0037	\$180.00	\$125.01	\$112.51
MarkNet N8150 802.11/b/g/n Wireless Print Server	14F0040	\$544.00	\$377.13	\$100.00
Asset Tag	43C0099	\$225.00	\$100.00	\$15.00
DOE Bundle				\$30.00
USB Disabling Feature - Standard				
Generic text compatible				
Meets US Department of Defense 5220.22 standard for removal of data, Option M compliant, when Hard Disk is installed				

Consumables	Part #	List Price	Contract Price	Quote Price
Highest Yield Extra High Yield Return Program Print Cartridge (36K)	T654X11A	\$602.00	\$341.10	\$250.50
Less than Highest Yield High Yield Return Program Print Cartridge (25K)	T650H11A	\$565.20	\$319.27	\$187.95
Standard Yield Return Program Print Cartridge (7K)	T650A11A	\$202.87	\$114.63	\$99.96

Replaceable Service Parts	Part #	List Price	Contract Price	Quote Price
Fuser Maintenance Kit 110-120V <i>Eligibility for \$0.00 cost Maintenance Kit is contingent upon end-user providing Proof of Purchase of 2 Year Extended Warranty referenced above as well as proof of page count, warranting the order of this Part Number. Limit one maintenance kit per appropriate page volume cycle. Offer only good for the term of the Extended Warranty.</i>	40X4724	\$350.00	\$239.28	\$0.00

Additional Warranty Services	Part #	List Price	Contract Price	Quote Price
4 Year Extended Onsite Warranty, Next Business Day <i>For State and City agencies seeking 5 years of warranty services. Intended to be purchased instead of the the 2 Year Extended Onsite Warranty, Next Business Day.</i>	2350375	\$669.00	\$551.20	\$529.79

Integrated Hard Disk Option

Lexmark T656dne



A serious performer for high-volume duplex printing with an innovative twist – a large touch screen that lets you launch amazing Lexmark solution applications

Hard Disk Option	Part #	List Price	Contract Price	Quote Price
HARD DISK: Lexmark T656dne <i>**Pricing listed is for printer w/80+GB Hard Disk bundle. +\$509.58 total additional cost for upgrade.</i>	30G0400	\$2,507.00	\$1,843.62	\$1,490.26

Awards

- BERTL's Best 2009
- BERTL "Exceptional" Highly Recommended
- Better Buys for Business 2009 Editor's Choice
- Buyer's Laboratory Pick of the Year Fall 2008
- Buyer's Laboratory Highly Recommended
- Buyer's Laboratory Most Outstanding Monochrome Printer Line of the Year 2008

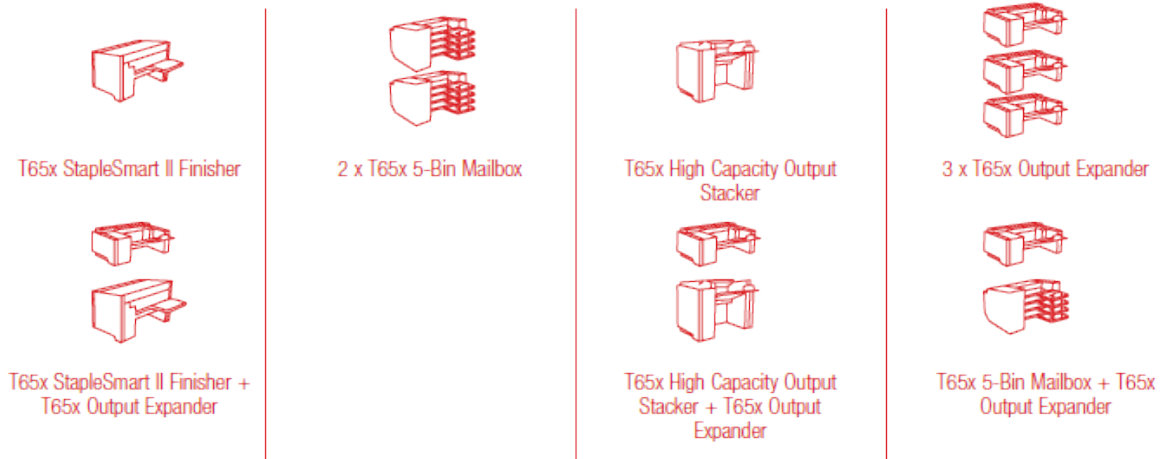
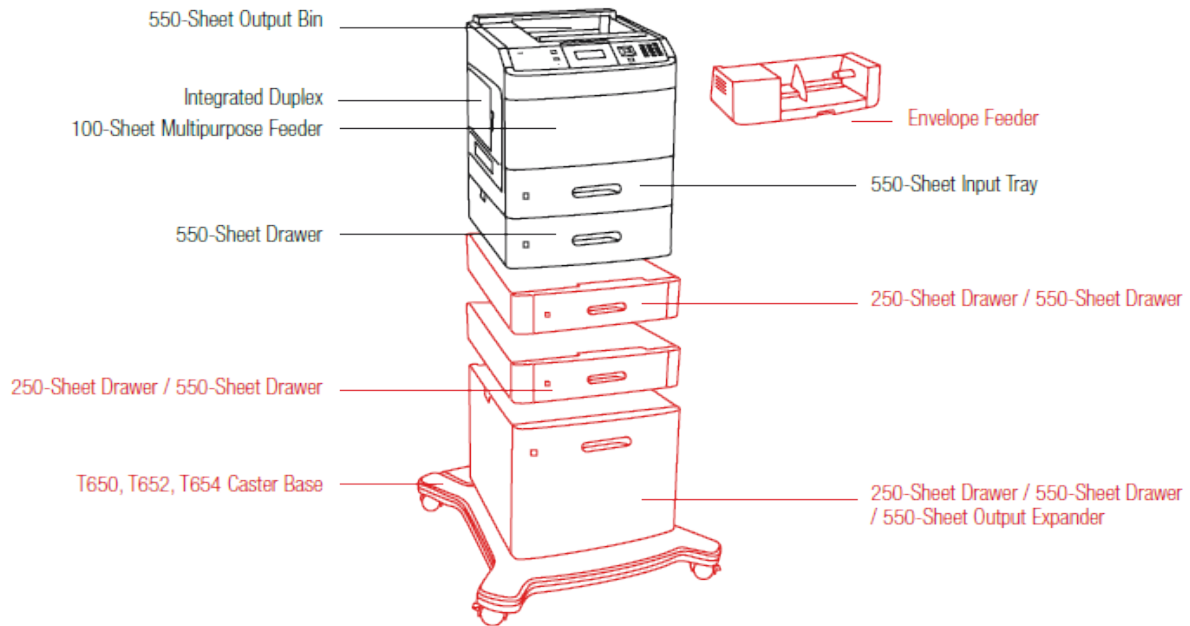


Specifications

Technical Attribute	Specification
Print Technology	Laser
Print Speed	55 ppm
Auto Duplex	Auto duplex standard, 37 sides per minute
First Page Out	7.5 seconds
Monthly Duty Cycle	275,000
Print Quality	1200 Image Quality, 1200 x 1200 dpi, 2400 Image Quality, 600 x 600 dpi
Connectivity	Integrated NIC, 10/100, Boot P Capable, Bonjour/Multicast-DNS (mDNS) Capable, USB 2.0 High Speed Certified (Type B)
Print Languages	PCL 5e Emulation, PCL 6 emulation, Personal printer Data Stream (PPDS), PostScript 3 Emulation, HTML. PDF 1.6 Emulation, Direct Image, Microsoft XPS (XML Paper Specification)
Memory	256 MB Standard
Media Type	Paper, recycled paper, Card Stock, Dual Web Labels, Envelopes, Integrated Labels, Paper Labels, Plain Paper, Polyester Labels, Transparencies, Vinyl Labels
Remote Management Compatibility	Web Based Remote Management via MarkVision Professional Mac OS X, Mac OS 9.2, Windows 7, Server 2008, (WHQL Certified), http://support.lexmark.com
Input	550 Sheet Drawer adjustable to 8.5" x 11" and 8.5" x 14", 100 sheet Multipurpose feeder
Duplex	Automatic
Energy Management	Energy Star
Footprint (H x W x D)	17.2 x 16.7 x 20.1 in.
Standard Input/Output Capacity	650 Input / 550 Output

Options Configuration*

Infographic



Paper Handling Standard
 Paper Handling Optional

*Options vary when selecting the Lexmark T656dne Hard Disk Option. Consult your sales representative for further information regarding that machine's configuration.

Lexmark C544dn

Overview

Ideal for small to midsized workgroups

Recommended monthly print volume: 800 – 3,000 pages



Lexmark C544dn

Pricing




Finally, an affordable solution for hardworking workgroups who value color's ability to impress

Printer & Warranty Services	Part #	List Price	Contract Price	Quote Price
Lexmark C544dn Color Laser Printer	26C0000	\$629.00	\$471.67	\$292.90
1st Year Upgrade to Onsite Service, Next Business Day	2350476	\$29.00	\$23.89	\$20.00
2 Year Extended Onsite Warranty, Next Business Day	2350478	\$169.00	\$139.24	\$113.06

In accordance with NYS OGS, everything must be quoted with a 3 year warranty

Total Price: \$425.96

Options	Part #	List Price	Contract Price	Quote Price
650-Sheet Duo Drawer with 100-Sheet Multipurpose Feeder	3051532	\$252.00	\$167.03	\$150.33
Lexmark Swivel Cabinet	3052765	\$316.00	\$209.05	\$188.15
128MB DDR1-DRAM	1022298	\$724.00	\$486.38	\$437.74
256MB DDR1-DRAM	1022299	\$749.00	\$503.00	\$452.70
USB Cable (2-meter)	1021294	\$21.00	\$15.76	\$14.18
Ethernet Cable (2-meter)	16A0834	\$25.00	\$19.96	\$17.95
Asset Tag	43C0099	\$225.00	\$100.00	\$15.00
Integrated 802.11b/g/n Wireless: Lexmark C544dw	26C0150	\$749.00	\$566.22	\$355.85
 Pricing listed is for printer w/wireless bundle. +\$62.95 total additional cost for upgrade.				
DOE Bundle				\$30.00
USB Disabling Feature - Standard				
Generic text compatible				

Consumables	Part #	List Price	Contract Price	Quote Price
Highest Yield				
Black Extra High Yield Return Program Toner Cartridge (6K)	C544X1KG	\$165.00	\$113.29	\$78.91
Cyan Extra High Yield Return Program Toner Cartridge (4K)	C544X1CG	\$162.00	\$111.13	\$77.40
Magenta Extra High Yield Return Program Toner Cartridge	C544X1MG	\$162.00	\$111.13	\$77.40
Yellow Extra High Yield Return Program Toner Cartridge (4K)	C544X1YG	\$162.00	\$111.13	\$77.40
Less than Highest Yield				
Black High Yield Return Program Toner Cartridge (4K)	C540H1KG	\$81.00	\$55.61	\$50.05
Cyan High Yield Return Program Toner Cartridge (2K)	C540H1CG	\$96.00	\$65.91	\$59.32
Magenta High Yield Return Program Toner Cartridge (2K)	C540H1MG	\$96.00	\$65.91	\$59.32
Yellow High Yield Return Program Toner Cartridge (2K)	C540H1YG	\$96.00	\$65.01	\$59.32
Standard Yield				
Return Program Black Toner Cartridge (1K)	C540A1KG	\$53.00	\$36.05	\$32.45
Cyan Return Program Toner Cartridge (1K)	C540A1CG	\$69.00	\$47.38	\$42.64
Magenta Return Program Toner Cartridge (1K)	C540A1MG	\$69.00	\$47.38	\$42.64
Yellow Return Program Toner Cartridge (1K)	C540A1YG	\$69.00	\$47.38	\$42.64

Replaceable Service Parts	Part #	List Price	Contract Price	Quote Price
Black & Color Imaging Kit	C540X74G	\$291.00	\$199.80	\$144.74
Waste Toner Bottle	C540X75G	\$12.00	\$8.03	\$5.82
Fuser Maintenance 110-120V	40X5437	\$399.00	\$100.50	\$55.96
Transfer Belt Maintenance	40X5403	\$399.00	\$100.50	\$55.96

Additional Warranty Services	Part #	List Price	Contract Price	Quote Price
4 Year Extended Onsite Warranty, Next Business Day	2350480	\$429.00	\$353.46	\$318.12
<i>For State and City agencies seeking 5 years of warranty services. Intended to be purchased instead of the the 2 Year Extended Onsite Warranty, Next Business Day.</i>				

Integrated Wireless Option

Lexmark C544dw



What a value: a Wi-Fi CERTIFIED™ color laser printer with standard duplexing and instant network compatibility

Awards

- BERTL Highly Recommended
- Better Buys for Business 2009 Editor's Choice
- Better Buys for Business 2008 Innovative Product of the Year
- PC Magazine Editor's Choice & 4 Stars

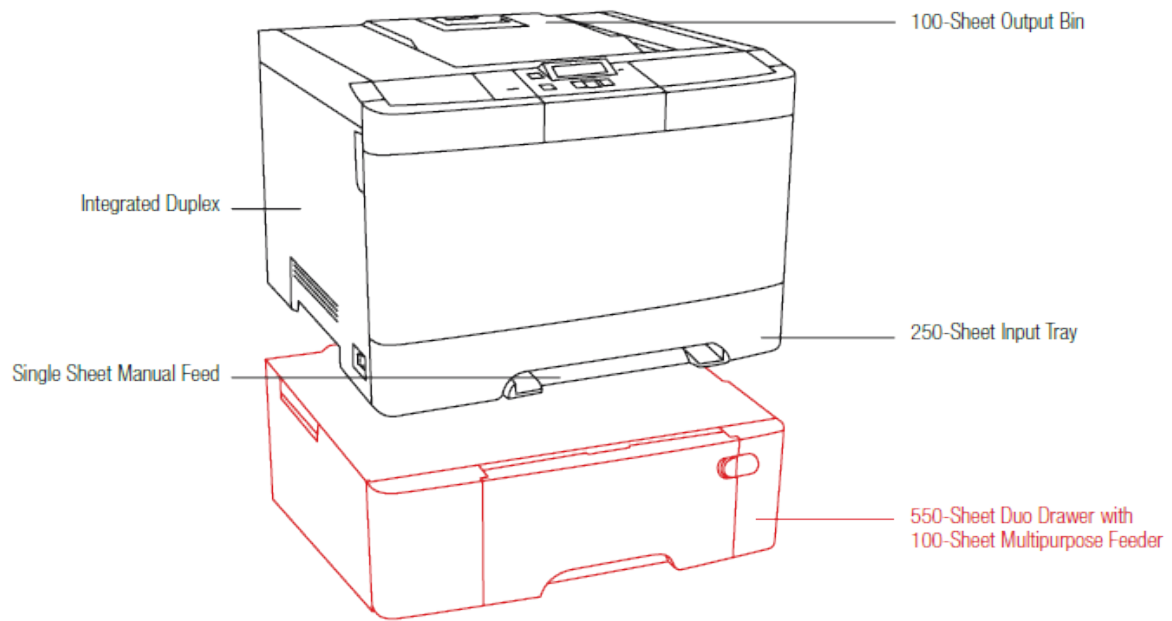


Specifications

Technical Attribute	Specification
Print Technology	Laser
Print Speed (Color)	25 PPM
Auto Duplex (Color)	Auto Duplex Standard - Up to 12 SPM
First Page Out	11 seconds
Monthly Duty Cycle	55,000
Print Quality	1200 x 1200 dpi, 4800 Color Quality (1200 x 600 dpi)
Connectivity	Integrated NIC, 10/100, Boot P Capable, Bonjour/Multicast-DNS (mDNS) Capable, USB 2.0 High Speed Certified (Type B)
Print Languages	PCL 5e emulation, PCL 6 emulation, PPDS, PS 3 Emulation, HTML, PDF 1.6 Emulation, Direct Image, Microsoft XPS
Memory	128MB Standard
Media Type	Paper, recycled paper, Card Stock, Dual Web Labels, Envelopes, Integrated Labels, Paper Labels, Plain Paper, Polyester Labels, Transparencies, Vinyl Labels
Remote Management Compatibility	Web Based Remote Management via MarkVision Professional Mac OS X, Mac OS 9.2, Windows 7, Server 2008, (WHQL Certified), http://support.lexmark.com
Input	Standard - two (2) input trays (1 - 250 sheet adjustable to 8.5"x11" and 8.5"x14"; 1 - Single Sheet Manual Feeder)
Duplex	Automatic
Energy Management	Energy Star
Footprint (H x W x D)	11.5 x 16.7 x 15.7 in.
Standard Input/Output Capacity	250 + 1 pages Input/100 pages output

Options Configuration

Infographic



■ Paper Handling Standard
■ Paper Handling Optional

Lexmark C736dn

Pricing

Ideal for midsized to large workgroups

Recommended monthly page volume: 2,500 – 10,000 pages



Lexmark C736dn

Pricing



Finally, an affordable solution for hardworking workgroups who value color's ability to impress

Printer & Warranty Services	Part #	List Price	Contract Price	Quote Price
Lexmark C736dn Color Laser Printer	25A0451	\$1,408.00	\$1,062.05	\$929.77
1st Year Warranty, Next Business Day - Included	N/A	\$0.00	\$0.00	\$0.00
2 Year Extended Onsite Warranty, Next Business Day	2350799	\$399.00	\$328.74	\$251.37

In accordance with NYS OGS, everything must be quoted with a 3 year warranty

Total Price: \$1,181.14

Options	Part #	List Price	Contract Price	Quote Price
550-Sheet Drawer	27S2100	\$379.00	\$251.07	\$225.96
2000-Sheet High Capacity Feeder	27S2400	\$760.00	\$503.19	\$452.87
Caster Base	16M1210	\$443.00	\$293.09	\$263.78
256MB DDR2-DRAM	1025041	\$749.00	\$503.19	\$452.88
512MB DDR2-DRAM	1025042	\$899.00	\$604.04	\$543.64
USB Cable (2-meter)	1021294	\$21.00	\$15.76	\$14.18
Ethernet Cable (2-meter)	16A0834	\$25.00	\$19.96	\$17.95
MarkNet N8120 Gigabit Ethernet	14F0037	\$180.00	\$125.01	\$112.51
MarkNet N8150 802.11b/g/n Wireless Print Server	14F0040	\$544.00	\$377.13	\$100.00
Asset Tag	43C0099	\$225.00	\$100.00	\$15.00
DOE Bundle				\$30.00
USB Disabling Feature - Standard				
Generic text compatible				
Meets US Department of Defense 5220.22 standard for removal of data, Option M compliant, when Hard Disk is installed				

Consumables	Part #	List Price	Contract Price	Quote Price
Highest Yield				
Black High Yield Return Program Toner Cartridge (12K)	C736H1KG	\$221.00	\$152.01	\$67.77
Cyan High Yield Return Program Toner Cartridge (10K)	C736H1CG	\$385.00	\$264.99	\$118.13
Magenta High Yield Return Program Toner Cartridge (10K)	C736H1MG	\$385.00	\$264.99	\$118.13
Yellow High Yield Return Program Toner (10K)	C736H1YG	\$385.00	\$264.99	\$118.13
Standard Yield				
Black Return Program Toner Cartridge (8K)	C734A1KG	\$156.00	\$107.11	\$85.69
Cyan Return Program Toner Cartridge (6K)	C734A1CG	\$247.00	\$170.19	\$136.15
Magenta Return Program Toner Cartridge (6K)	C734A1MG	\$247.00	\$170.19	\$136.15
Yellow Return Program Toner Cartridge (6K)	C734A1YG	\$247.00	\$170.19	\$136.15

Replaceable Service Parts	Part #	List Price	Contract Price	Quote Price
Photoconductor Unit, 4 Pack	C734X24G	\$138.00	\$94.75	\$42.24
Waste Toner Box	C734X77G	\$9.75	\$6.69	\$2.98
Transfer Belt Maintenance	40X5096	\$399.00	\$291.00	\$86.08
Fuser Maintenance 110-120V	40X5093	\$399.00	\$291.00	\$86.08

Additional Warranty Services	Part #	List Price	Contract Price	Quote Price
4 Year Extended Onsite Warranty, Next Business Day <i>For State and City agencies seeking 5 years of warranty services. Intended to be purchased instead of the the 2 Year Extended Onsite Warranty, Next Business Day.</i>	2350801	\$699.00	\$575.92	\$518.33

Awards

- Better Buys for Business 2010 Editor's Choice Award

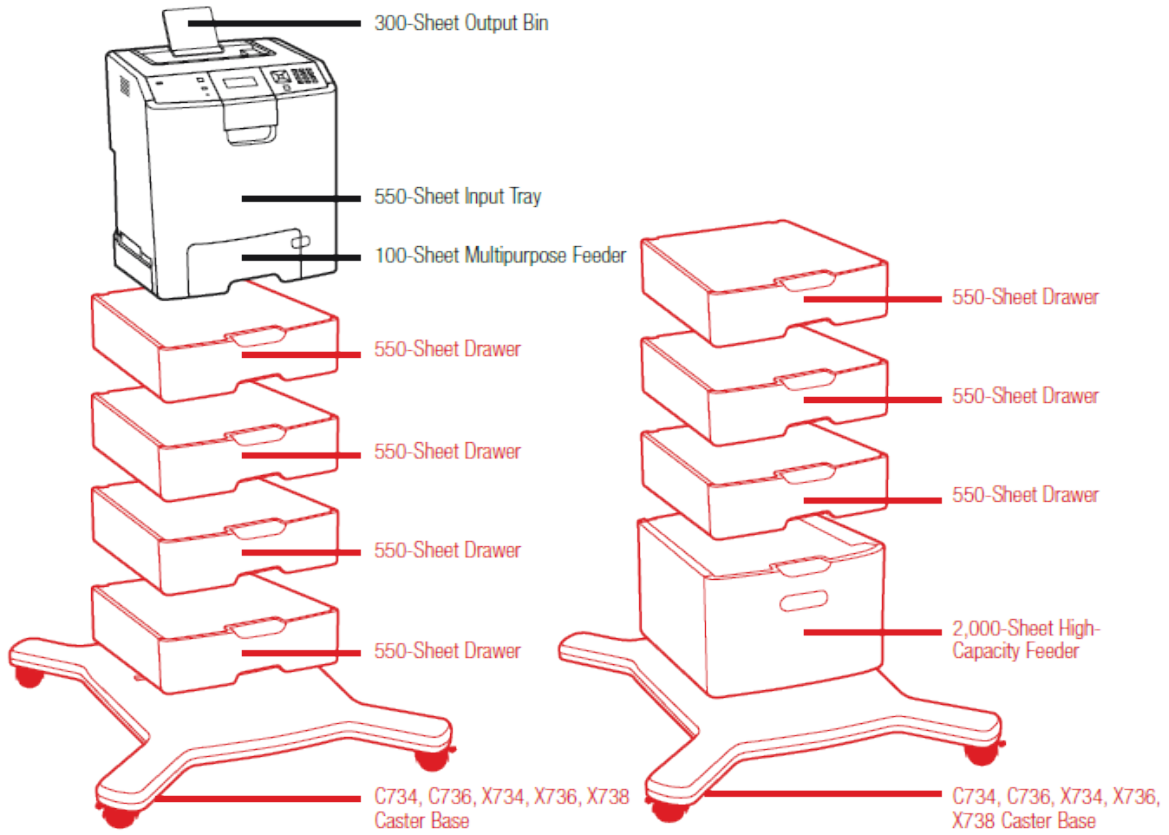


Specifications

Technical Attribute	Specification
Print Technology	Laser
Print Speed (Color)	35 PPM
Auto Duplex (Color)	Auto Duplex Standard - 23 SPM
First Page Out	9 seconds
Monthly Duty Cycle	85,000
Print Quality	1200 x 1200 dpi, 4800 Color Quality (2400 x 600 dpi)
Connectivity	Integrated NIC, 10/100, Boot P Capable, Bonjour/Multicast-DNS (mDNS) Capable, USB 2.0 High Speed Certified (Type B)
Print Languages	PCL 5e emulation, PCL 6 emulation, PPDS, PS 3 Emulation, HTML, PDF 1.6 Emulation, Direct Image, Microsoft XPS
Memory	256MB Standard
Media Type	Paper, recycled paper, Card Stock, Dual Web Labels, Envelopes, Integrated Labels, Paper Labels, Plain Paper, Polyester Labels, Transparencies, Vinyl Labels
Remote Management Compatibility	Web Based Remote Management via MarkVision Professional Mac OS X, Mac OS 9.2, Windows 7, Server 2008, (WHQL Certified), http://support.lexmark.com
Input	Standard - two (2) input trays (1 - 550 sheet adjustable to 8.5"x11" and 8.5"x14"; 1 - 100 Sheet Multipurpose Feeder)
Duplex	Automatic
Energy Management	Energy Star
Footprint (H x W x D)	17.7 x 17.1 x 18.5 in.
Standard Input/Output Capacity	650 pages Input/300 pages output

Options Configuration

Infographic



Paper Handling Standard
 Paper Handling Optional

Lexmark X544dn

Overview

Ideal for small to midsized workgroups

Recommended monthly page volume: 800 – 3,000 pages




Lexmark X544dn

Pricing

Color your work world with a fast, full-function duplex laser MFP that's thrifty on resources and rich on features



Printer & Warranty Services	Part #	List Price	Contract Price	Quote Price
Lexmark X544dn Color Laser MFP	3001389	\$999.00	\$755.31	\$469.02
1st Year Warranty, Next Business Day - Included	N/A	\$0.00	\$0.00	\$0.00
2 Year Extended Onsite Warranty, Next Business Day	2350522	\$229.00	\$188.68	\$164.88
<i>In accordance with NYS OGS, everything must be quoted with a 3 year warranty</i>			Total Price:	\$633.90

Options	Part #	List Price	Contract Price	Quote Price
650-Sheet Duo Drawer with 100-Sheet Multipurpose Feeder	3051532	\$252.00	\$167.03	\$150.33
Lexmark Swivel Cabinet	3052765	\$316.00	\$209.05	\$188.15
128MB DDR1-DRAM	1022298	\$724.00	\$486.38	\$437.74
256MB DDR1-DRAM	1022299	\$749.00	\$503.00	\$452.70
USB Cable (2-meter)	1021294	\$21.00	\$15.76	\$14.18
Ethernet Cable (2-meter)	16A0834	\$25.00	\$19.96	\$17.95
Asset Tag	43C0099	\$225.00	\$100.00	\$15.00
Integrated 802.11b/g/n Wireless: Lexmark X544dw	26C0400	\$1,129.00	\$849.85	\$518.76
 Pricing listed is for printer w/wireless bundle. +\$49.74 total additional cost for upgrade.				
Asset Tag	43C0099	\$225.00	\$100.00	\$15.00
DOE Bundle				\$30.00
USB Disabling Feature - Standard				
Generic text compatible				

Consumables	Part #	List Price	Contract Price	Quote Price
Highest Yield				
Black Extra High Yield Return Program Toner Cartridge (6K)	C544X1KG	\$165.00	\$113.29	\$78.91
Cyan Extra High Yield Return Program Toner Cartridge (4K)	C544X1CG	\$162.00	\$111.13	\$77.40
Magenta Extra High Yield Return Program Toner Cartridge	C544X1MG	\$162.00	\$111.13	\$77.40
Yellow Extra High Yield Return Program Toner Cartridge (4K)	C544X1YG	\$162.00	\$111.13	\$77.40
Less than Highest Yield				
Black High Yield Return Program Toner Cartridge (4K)	C540H1KG	\$81.00	\$55.61	\$50.05
Cyan High Yield Return Program Toner Cartridge (2K)	C540H1CG	\$96.00	\$65.91	\$59.32
Magenta High Yield Return Program Toner Cartridge (2K)	C540H1MG	\$96.00	\$65.91	\$59.32
Yellow High Yield Return Program Toner Cartridge (2K)	C540H1YG	\$96.00	\$65.01	\$59.32
Standard Yield				
Return Program Black Toner Cartridge (1K)	C540A1KG	\$53.00	\$36.05	\$32.45
Cyan Return Program Toner Cartridge (1K)	C540A1CG	\$69.00	\$47.38	\$42.64
Magenta Return Program Toner Cartridge (1K)	C540A1MG	\$69.00	\$47.38	\$42.64
Yellow Return Program Toner Cartridge (1K)	C540A1YG	\$69.00	\$47.38	\$42.64

Replaceable Service Parts	Part #	List Price	Contract Price	Quote Price
Black & Color Imaging Kit	C540X74G	\$291.00	\$199.80	\$144.74
Waste Toner Bottle	C540X75G	\$12.00	\$8.03	\$5.82
Fuser Maintenance 110-120V	40X5437	\$399.00	\$100.50	\$55.96
Transfer Belt Maintenance	40X5403	\$399.00	\$100.50	\$55.96

Additional Warranty Services	Part #	List Price	Contract Price	Quote Price
4 Year Extended Onsite Warranty, Next Business Day <i>For State and City agencies seeking 5 years of warranty services. Intended to be purchased instead of the the 2 Year Extended Onsite Warranty, Next Business Day.</i>	2350524	\$659.00	\$542.96	\$488.67

Integrated Wireless Option

Lexmark X544dw



Get quality color, complete functionality, and the freedom of wireless in one compact color laser MFP

Awards

- Better Buys for Business 2008 Innovative Product of the Year
- BERTL Highly Recommended

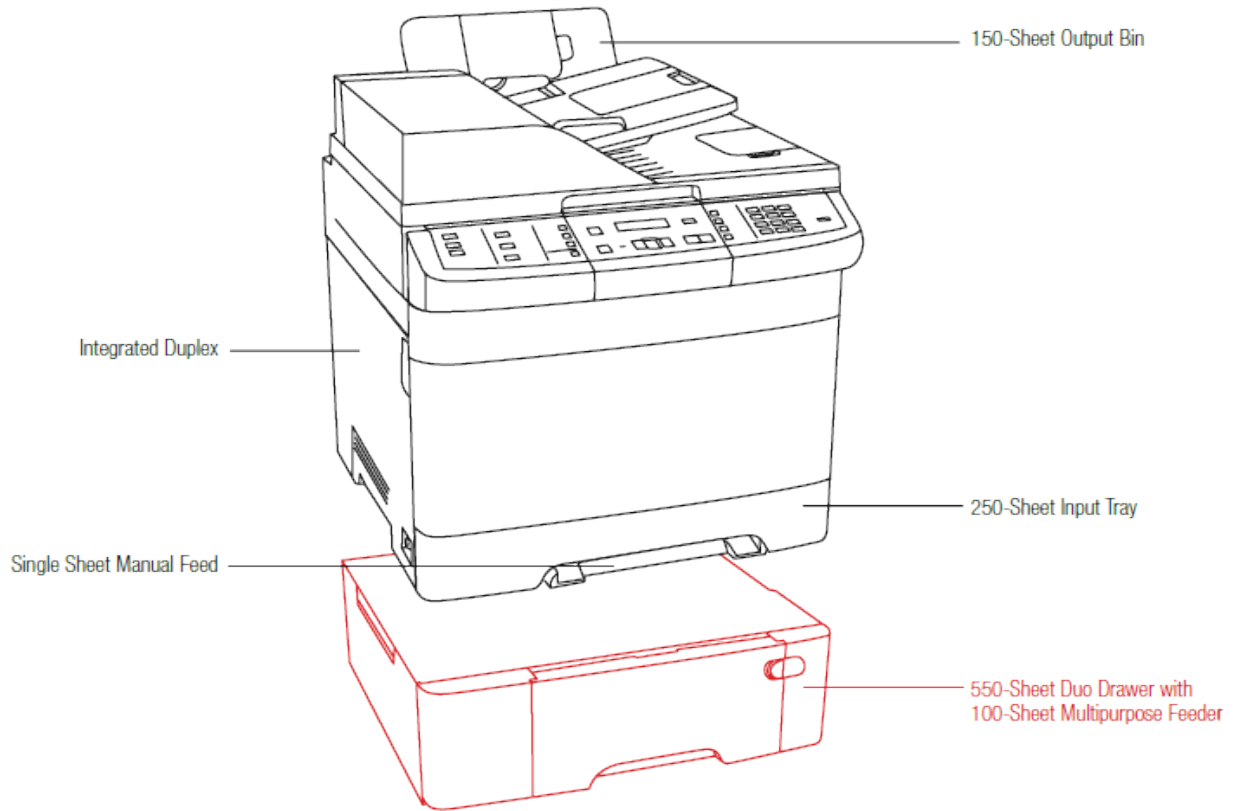


Specifications

Technical Attribute	Specification
Print Technology	Laser
Print Speed (Color)	25 PPM
First Page Out (Color)	As fast as 11 seconds
Monthly Duty Cycle	55000
Print Quality	1200 x 1200 dpi, 4800 Color Quality (1200 x 600 dpi)
Scan Resolution	600 x 600 dpi
Connectivity	Integrated NIC, 10/100, Boot P Capable, Bonjour/Multicast-DNS (mDNS) Capable, USB 2.0 High Speed Certified (Type B)
Print Languages	PCL 5e emulation, PCL 6 emulation, PPDS, PS 3 Emulation, HTML, PDF 1.6 Emulation, Direct Image, Microsoft XPS
Memory	128MB Standard
Media Type	Paper, recycled paper, Card Stock, Dual Web Labels, Envelopes, Integrated Labels, Paper Labels, Plain Paper, Polyester Labels, Transparencies, Vinyl Labels
Remote Management Compatibility	Web Based Remote Management via MarkVision Professional
Input printing	Mac OS X, Mac OS 9.2, Windows 7, Server 2008, (WHQL Certified), http://support.lexmark.com
Input Scanning (ADF)	Standard - two (2) input trays (1 - 250 sheet adjustable to 8.5"x11" and 8.5"x14"; 1 - Single Sheet Manual Feeder)
Output	Up to 50 pages
Duplex	150 pages
Productivity Features	Automatic
Energy Management	Copy, Scan, Fax and Print
Footprint (H x W x D)	Energy Star Compliant
	18..23 x 19.37 x 22.48 in.

Options Configuration

Infographic



■ Paper Handling Standard
■ Paper Handling Optional

Lexmark X738de

Overview

Ideal for midsized to large workgroups

Recommended monthly page volume: 3,000 – 10,000 pages



Lexmark X738de

Pricing



Intelligently combines a built-in hard disk and built-in solutions platform for advanced multifunction workflow

Lexmark X738de Color Laser MFP	MS00321	\$3,028.00	\$2,283.78	\$1,418.16
1st Year Warranty, Next Business Day - Included	N/A	\$0.00	\$0.00	\$0.00
2 Year Extended Onsite Warranty, Next Business Day	2350853	\$999.00	\$823.10	\$543.46

In accordance with NYS OGS, everything must be quoted with a 3 year warranty

Total Price: \$1,961.62

Options	Part #	List Price	Contract Price	Quote Price
550-Sheet Drawer	27S2100	\$379.00	\$251.07	\$225.96
2000-Sheet High Capacity Feeder	27S2400	\$760.00	\$503.19	\$452.87
Caster Base	16M1210	\$443.00	\$293.09	\$263.78
256MB DDR2-DRAM	1025041	\$749.00	\$503.19	\$452.88
512MB DDR2-DRAM	1025042	\$899.00	\$604.04	\$543.64
USB Cable (2-meter)	1021294	\$21.00	\$15.76	\$14.18
Ethernet Cable (2-meter)	16A0834	\$25.00	\$19.96	\$17.95
MarkNet N8120 Gigabit Ethernet	14F0037	\$180.00	\$125.01	\$112.51
MarkNet N8150 802.11b/g/n Wireless Print Server	14F0040	\$544.00	\$377.13	\$100.00
Asset Tag	43C0099	\$225.00	\$100.00	\$15.00
DOE Bundle				\$30.00
80+GB Hard Disk Included - Standard				
USB Disabling Feature - Standard				
Scan to Email (LDAP) Disabling Feature - Standard				
Generic text compatible				
Meets US Department of Defense 5220.22 standard for removal of data, Option M compliant, when Hard Disk is installed				
Consumables	Part #	List Price	Contract Price	Quote Price
Highest Yield				
High Yield Black Return Program Toner Cartridge (12K)	C736H1KG	\$221.00	\$152.01	\$67.77
High Yield Cyan Return Program Toner Cartridge (10K)	C736H1CG	\$385.00	\$164.99	\$118.13
High Yield Magenta Return Program Toner Cartridge (10K)	C736H1MG	\$385.00	\$164.99	\$118.13
High Yield Yellow Return Program Toner Cartridge (10K)	C736H1YG	\$385.00	\$164.99	\$118.13
Replaceable Service Parts	Part #	List Price	Contract Price	Quote Price
Photoconductor Unit, 4 Pack	C734X24G	\$138.00	\$94.75	\$42.24
Waste Toner Box	C734X77G	\$9.75	\$6.69	\$2.98
Transfer Belt Maintenance	40X5096	\$399.00	\$291.00	\$86.08
Fuser Maintenance 110-120V	40X5093	\$399.00	\$291.00	\$86.08
Additional Warranty Services	Part #	List Price	Contract Price	Quote Price
4 Year Extended Onsite Warranty, Next Business Day	2350855	\$2,069.00	\$1,704.69	\$1,534.22
<i>For State and City agencies seeking 5 years of warranty services. Intended to be purchased instead of the the 2 Year Extended Onsite Warranty, Next Business Day.</i>				

Awards

- Better Buys for Business 2010 Editor's Choice

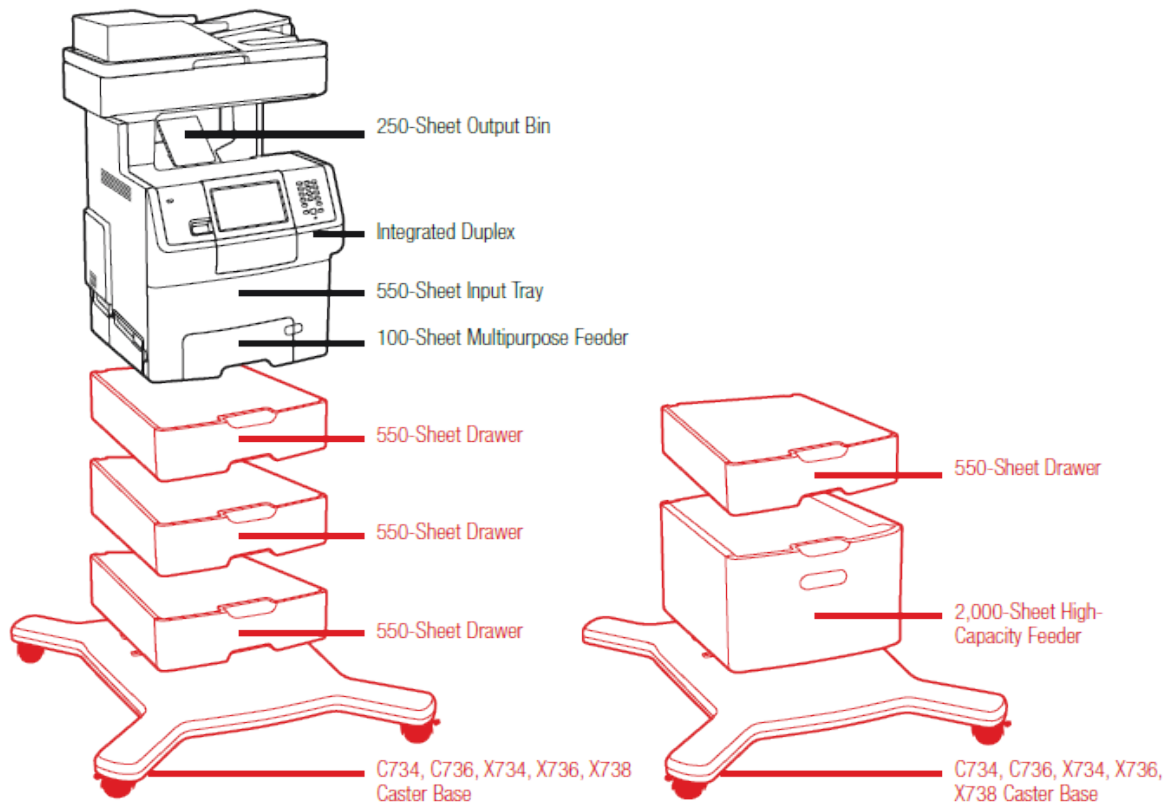


Specifications

Technical Attribute	Specification
Print Technology	Laser
Print Speed (Color)	35 PPM
First Page Out (Color)	< 10 Seconds
Monthly Duty Cycle	85,000
Print Quality	1200 x 1200 dpi, 4800 Color Quality (2400 x 600 dpi)
Scan Resolution	600 x 600 dpi
Connectivity	Integrated NIC, 10/100, Boot P Capable, Bonjour/Multicast-DNS (mDNS) Capable, USB 2.0 High Speed Certified (Type B)
Print Languages	PCL 5e emulation, PCL 6 emulation, PPDS, PS 3 Emulation, HTML, PDF 1.6 Emulation, Direct Image, Microsoft XPS
Memory	512 MB
Media Type	Paper, recycled paper, Card Stock, Dual Web Labels, Envelopes, Integrated Labels, Paper Labels, Plain Paper, Polyester Labels, Transparencies, Vinyl Labels
Remote Management Compatibility	Web Based Remote Management via MarkVision Professional Mac OS X, Mac OS 9.2, Windows 7, Server 2008, (WHQL Certified), http://support.lexmark.com
Input printing	550 Sheet Input tray, adjustable to 8.5" x 11" and 8.5" x 14", 100 Sheet Multi Purpose Tray
Input Scanning (ADF)	50 page ADF
Output	250 sheet tray
Duplex	Automatic Duplex
Productivity Features	Copy, Print, LDAP Authenticated Scan to Email, LDAP Authenticated Scan to Network, Fax
Energy Management	Energy Star
Footprint (H x W x D)	31.0 x 21.5 x 24.5 in.

Options Configuration

Infographic



■ Paper Handling Standard
■ Paper Handling Optional

Lexmark X464de

Overview

Ideal for small to midsized workgroups

Recommended monthly print volume: 2,000 – 10,000



Lexmark X464de

Pricing

Small-workgroup 4-in-1 multifunction printer, includes high-speed fax



Printer & Warranty Services	Part #	List Price	Contract Price	Quote Price
Lexmark X464de Mono Laser MFP	13C1101	\$1,453.00	\$1,095.67	\$680.38
1st Year Warranty, Next Business Day - Included	N/A	\$0.00	\$0.00	\$0.00
2 Year Extended Onsite Warranty, Next Business Day	2350889	\$599.00	\$493.53	\$301.90

In accordance with NYS OGS, everything must be quoted with a 3 year warranty

Total Price: \$982.28

Options	Part #	List Price	Contract Price	Quote Price
550-Sheet Drawer	34S0550	\$252.00	\$167.03	\$150.33
250-Sheet Drawer	34S0250	\$163.00	\$108.20	\$97.38
128MB DDR1-DRAM	1022298	\$724.00	\$486.38	\$437.74
256MB DDR1-DRAM	1022299	\$749.00	\$503.00	\$452.70
USB Cable (2-meter)	1021294	\$21.00	\$15.76	\$14.18
Ethernet Cable (2-meter)	16A0834	\$25.00	\$19.96	\$17.95
MarkNet N8120 Gigabit Ethernet	14F0037	\$180.00	\$125.01	\$112.51
MarkNet N8150 802.11/b/g/n Wireless Print Server	14F0040	\$544.00	\$377.13	\$100.00
Asset Tag	43C0099	\$225.00	\$100.00	\$15.00
DOE Bundle				\$30.00
128 MB RAM Included - Standard				
USB Disabling Feature - Standard				
Generic text compatible				

Consumables	Part #	List Price	Contract Price	Quote Price
Highest Yield Extra High Yield Return Program (15K)	X463X11G	\$335.00	\$207.00	\$131.50
Less than Highest Yield High Yield Return Program (9K)	X463H11G	\$258.00	\$159.43	\$143.49
Standard Yield Standard Return Program (3.5K)	X463A11G	\$134.00	\$82.55	\$74.30

Replaceable Service Parts	Part #	List Price	Contract Price	Quote Price
Photoconductor Kit	E260X22G	\$36.00	\$21.63	\$13.84
Fuser Maintenance Kit 110-120V	40X5400	\$225.00	\$124.44	\$0.00
<i>Eligibility for \$0.00 cost Maintenance Kit is contingent upon end-user providing Proof of Purchase of 2 Year Extended Warranty referenced above as well as proof of page count, warranting the order of this Part Number. Limit one maintenance kit per appropriate page volume cycle. Offer only good for the term of the Extended Warranty.</i>				

Additional Warranty Services	Part #	List Price	Contract Price	Quote Price
4 Year Extended Onsite Warranty, Next Business Day <i>For State and City agencies seeking 5 years of warranty services. Intended to be purchased instead of the the 2 Year Extended Onsite Warranty, Next Business Day.</i>	2350891	\$1,239.00	\$1,020.84	\$918.75

Awards

- Buyers' Laboratory 2009 Monochrome MFP Line of the Year

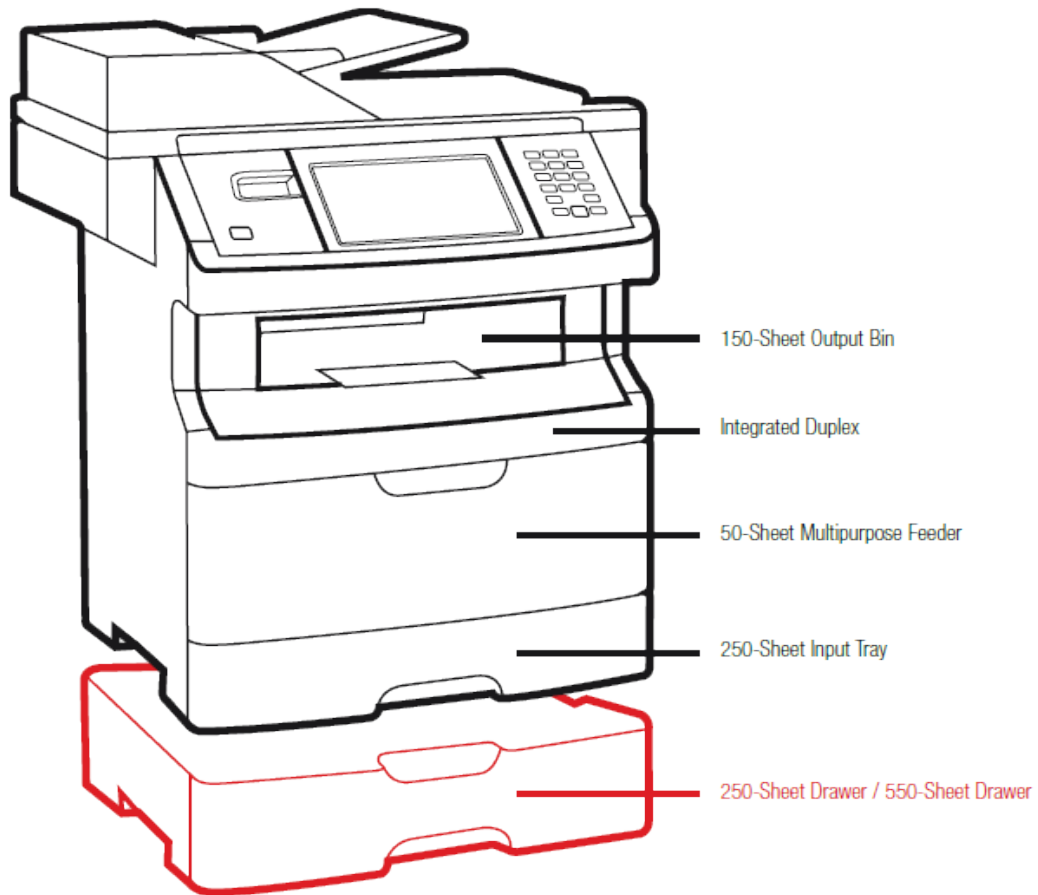


Specifications

Technical Attribute	Specification
Print Technology	Laser
Print Speed	40 PPM
First Page Out	6.5 seconds
Monthly Duty Cycle	80000
Print Quality	1200 Image Quality, 1200 x 1200 dpi, 2400 Image Quality, 600 x 600 dpi
Scan Resolution	600 x 600 dpi
Connectivity	Integrated NIC, 10/100, Boot P Capable, Bonjour/Multicast-DNS (mDNS) Capable, USB 2.0 High Speed Certified (Type B)
Print Languages	PCL 5e emulation, PCL 6 emulation, PPDS, PS 3 Emulation, HTML, PDF 1.6 Emulation, Direct Image, Microsoft XPS
Memory	128 MB
Media Type	Paper, recycled paper, Card Stock, Dual Web Labels, Envelopes, Integrated Labels, Paper Labels, Plain Paper, Polyester Labels, Transparencies, Vinyl Labels
Remote Management	Web Based Remote Management via MarkVision Professional
Compatability	Mac OS X, Mac OS 9.2, Windows 7, Server 2008, (WHQL Certified), http://support.lexmark.com
Input printing	250-sheet adjustable tray (8.5"x11" and 8.5"x14" adjustable) + 50-sheet multi-purpose feeder
Input Scanning (ADF)	50-sheet ADF
Output	150 sheet tray
Duplex	Automatic
Productivity Features	Copy, Scan, Fax and Print
Energy Management	Energy Star
Footprint (H x W x D)	20.9 x 19.2 x 17.2 in.

Options Configuration

Infographic



- Paper Handling Standard
- Paper Handling Optional

Lexmark X466de

Overview

Ideal for small to midsized workgroups

Recommended monthly print volume: 2,000 – 10,000 pages



Lexmark X466de

Pricing


Solutions ready multifunction for small to medium workgroups, includes a hard disk



Printer & Warranty Services	Part #	List Price	Contract Price	Quote Price
Lexmark X466de Mono Laser MFP	13C1265	\$1,816.00	\$1,365.89	\$850.63
1st Year Warranty, Next Business Day - Included	N/A	\$0.00	\$0.00	\$0.00
2 Year Extended Onsite Warranty, Next Business Day	2350907	\$599.00	\$493.53	\$301.90

In accordance with NYS OGS, everything must be quoted with a 3 year warranty

Total Price: \$1,152.53

Options	Part #	List Price	Contract Price	Quote Price
550-Sheet Drawer	34S0550	\$252.00	\$167.03	\$150.33
250-Sheet Drawer	34S0250	\$163.00	\$108.20	\$97.38
128MB DDR1-DRAM	1022298	\$724.00	\$486.38	\$437.74
256MB DDR1-DRAM	1022299	\$749.00	\$503.00	\$452.70
USB Cable (2-meter)	1021294	\$21.00	\$15.76	\$14.18
Ethernet Cable (2-meter)	16A0834	\$25.00	\$19.96	\$17.95
MarkNet N8120 Gigabit Ethernet	14F0037	\$180.00	\$125.01	\$112.51
MarkNet N8150 802.11b/g/n Wireless Print Server	14F0040	\$544.00	\$377.13	\$100.00
Integrated 802.11b/g/n Wireless: Lexmark X466dwe	13C1104	\$1,937.00	\$1,461.24	\$938.82
 Pricing listed is for printer w/wireless bundle. +\$88.19 total additional cost for upgrade.				
Asset Tag	43C0099	\$225.00	\$100.00	\$15.00
DOE Bundle				\$30.00
80+GB Hard Disk Included - Standard				
USB Disabling Feature - Standard				
Scan to Email (LDAP) Disabling Feature - Standard				
Generic text compatible				
Meets US Department of Defense 5220.22 standard for removal of data, Option M compliant, when Hard Disk is installed				

Consumables	Part #	List Price	Contract Price	Quote Price
Highest Yield				
Extra High Yield Return Program (15K)	X463X11G	\$335.00	\$207.00	\$131.50
Less than Highest Yield				
High Yield Return Program (9K)	X463H11G	\$258.00	\$159.43	\$143.49
Standard Yield				
Standard Return Program (3.5K)	X463A11G	\$134.00	\$82.55	\$74.30

Replaceable Service Parts	Part #	List Price	Contract Price	Quote Price
Photoconductor Kit	E260X22G	\$36.00	\$21.63	\$13.84
Fuser Maintenance Kit 110-120V	40X5400	\$225.00	\$124.44	\$0.00
<i>Eligibility for \$0.00 cost Maintenance Kit is contingent upon end-user providing Proof of Purchase of 2 Year Extended Warranty referenced above as well as proof of page count, warranting the order of this Part Number. Limit one maintenance kit per appropriate page volume cycle. Offer only good for the term of the Extended Warranty.</i>				

Additional Warranty Services	Part #	List Price	Contract Price	Quote Price
4 Year Extended Onsite Warranty, Next Business Day	2350909	\$1,239.00	\$1,020.84	\$918.75
<i>For State and City agencies seeking 5 years of warranty services. Intended to be purchased instead of the 2 Year Extended Onsite Warranty, Next Business Day.</i>				

Integrated Wireless Option

Lexmark **X466dwe**



A full-featured 4-in-1 unleashed by wireless b/g/n technology; tap into the expanded functionality of the built-in hard disk and solutions-ready framework to add more efficiency to your day

Awards

- Buyers' Laboratory 2009 Monochrome MFP Line of the Year
- Buyers' Laboratory Highly Recommended
- BERTL's Best Office/Small Workgroup B&W MFP 2009

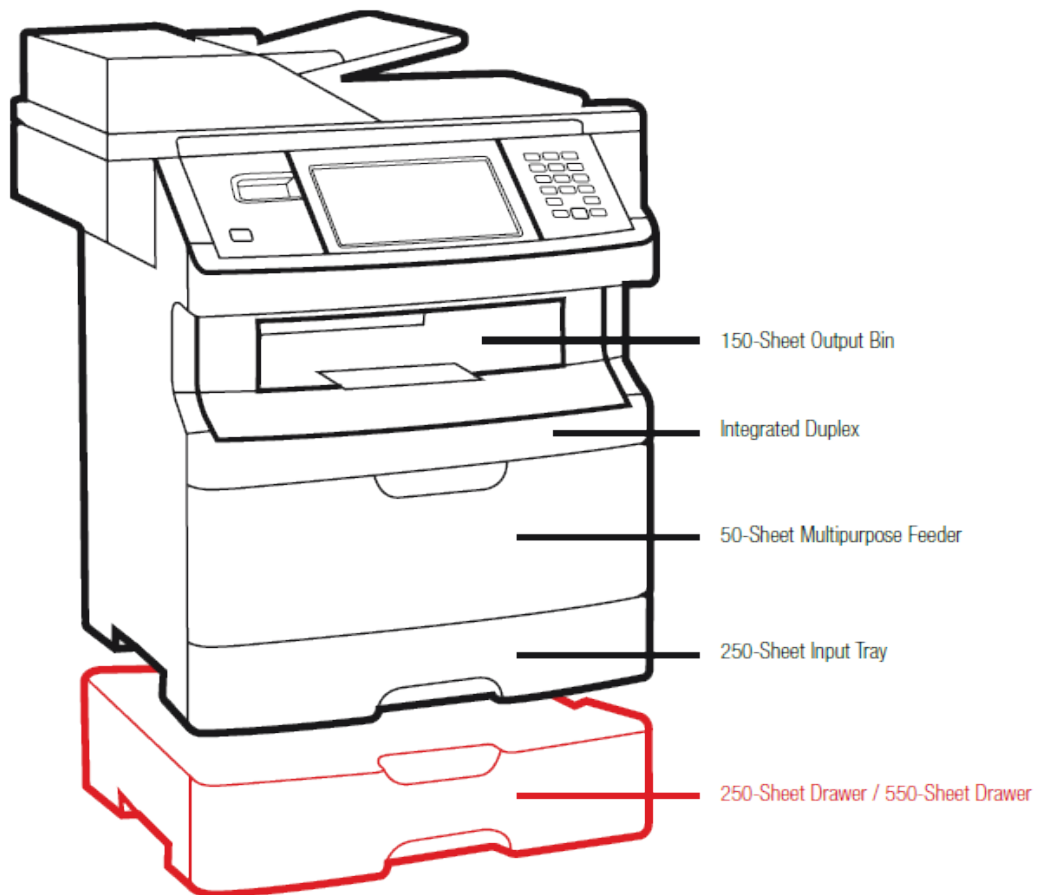


Specifications

Technical Attribute	Specification
Print Technology	Laser
Print Speed	40 PPM
First Page Out	6.5 seconds
Monthly Duty Cycle	80000
Print Quality	1200 Image Quality, 1200 x 1200 dpi, 2400 Image Quality, 600 x 600 dpi
Scan Resolution	600 x 600 dpi
Connectivity	Integrated NIC, 10/100, Boot P Capable, Bonjour/Multicast-DNS (mDNS) Capable, USB 2.0 High Speed Certified (Type B)
Print Languages	PCL 5e emulation, PCL 6 emulation, PPDS, PS 3 Emulation, HTML, PDF 1.6 Emulation, Direct Image, Microsoft XPS
Memory	256 MB
Media Type	Paper, recycled paper, Card Stock, Dual Web Labels, Envelopes, Integrated Labels, Paper Labels, Plain Paper, Polyester Labels, Transparencies, Vinyl Labels
Remote Management	Web Based Remote Management via MarkVision Professional
Compatibility	Mac OS X, Mac OS 9.2, Windows 7, Server 2008, (WHQL Certified), http://support.lexmark.com
Input printing	250-sheet adjustable tray (8.5"x11" and 8.5"x14" adjustable) + 50-sheet multi-purpose feeder
Input Scanning (ADF)	50-sheet ADF
Output	150 sheet tray
Duplex	Automatic
Productivity Features	Copy, Print, LDAP Authenticated Scan to E-mail, LDAP Authenticated Scan to Network, Fax
Energy Management	Energy Star
Footprint (H x W x D)	20.9 x 19.2 x 17.2 in.

Options Configuration

Infographic



■ Paper Handling Standard
■ Paper Handling Optional

Lexmark X654de

Overview

Ideal for midsized to large workgroups

Recommended monthly print volume: 5,000 – 30,000 pages



Lexmark X654de

Pricing

Robust, high-performance multifunction laser designed for superior output management and efficiency



Printer & Warranty Services	Part #	List Price	Contract Price	Quote Price
Lexmark X654de Mono Laser MFP	16M1265	\$3,054.00	\$2,310.05	\$1,534.46
1st Year Warranty, Next Business Day - Included	N/A	\$0.00	\$0.00	\$0.00
2 Year Extended Onsite Warranty, Next Business Day	2350558	\$1,079.00	\$889.01	\$543.82

In accordance with NYS OGS, everything must be quoted with a 3 year warranty

Total Price: \$2,078.28

Options	Part #	List Price	Contract Price	Quote Price
2000-Sheet High Capacity Feeder	30G0804	\$633.00	\$419.15	\$377.24
550-Sheet Drawer	30G0802	\$316.00	\$209.05	\$188.15
250-Sheet Drawer	30G0800	\$252.00	\$167.03	\$150.33
400-Sheet Universally Adjustable Tray with Drawer	30G0860	\$421.00	\$278.38	\$250.55
200-Sheet Universally Adjustable Tray with Drawer	30G0871	\$337.00	\$222.71	\$200.44
550-Sheet Lockable Drawer	30G0849	\$379.00	\$251.07	\$225.96
MFP Caster Base	16M1207	\$443.00	\$293.09	\$263.79
256MB DDR2-DRAM	1025041	\$749.00	\$503.19	\$452.88
512MB DDR2-DRAM	1025042	\$899.00	\$604.04	\$543.64
80+GB Hard Disk	14F0102	\$598.00	\$402.34	\$150.00
USB Cable (2-meter)	1021294	\$21.00	\$15.76	\$14.18
Ethernet Cable (2-meter)	16A0834	\$25.00	\$19.96	\$17.95
MarkNet N8120 Gigabit Ethernet	14F0037	\$180.00	\$125.01	\$112.51
MarkNet N8150 802.11b/g/n Wireless Print Server	14F0040	\$544.00	\$377.13	\$100.00
DOE Bundle				\$30.00
USB Disabling Feature - Standard				
Scan to Email (LDAP) Disabling Feature - Standard				
Generic text compatible				
Meets US Department of Defense 5220.22 standard for removal of data, Option M compliant, when Hard Disk is installed				

Consumables	Part #	List Price	Contract Price	Quote Price
Highest Yield				
Extra High Yield Return Program Print Cartridge (36K)	X654X11A	\$602.00	\$341.10	\$220.44
Less than Highest Yield				
High Yield Return Program Print Cartridge (25K)	X651H11A	\$565.20	\$319.27	\$287.35
Standard Yield				
Standard Return Program Print Cartridge (7k)	X651A11A	\$202.87	\$114.63	\$103.17

Replaceable Service Parts	Part #	List Price	Contract Price	Quote Price
Fuser Maintenance Kit 110-120V	40X4724	\$350.00	\$239.28	\$0.00
<i>Eligibility for \$0.00 cost Maintenance Kit is contingent upon end-user providing Proof of Purchase of 2 Year Extended Warranty referenced above as well as proof of page count, warranting the order of this Part Number. Limit one maintenance kit per appropriate page volume cycle. Offer only good for the term of the Extended Warranty.</i>				

Additional Warranty Services	Part #	List Price	Contract Price	Quote Price
4 Year Extended Onsite Warranty, Next Business Day For State and City agencies seeking 5 years of warranty services. Intended to be purchased instead of the 2 Year Extended Onsite Warranty, Next Business Day.	2350560	\$2,249.00	\$1,853.00	\$1,667.70

Integrated Hard Disk Option

Lexmark X656de



We've upgraded this 4-in-1 touch screen laser MFP with a hard disk for superior performance and output management.

Hard Disk Option	Part #	List Price	Contract Price	Quote Price
HARD DISK: Lexmark X656de <i>**Pricing listed is for printer w/80+GB Hard Disk bundle. +\$224.40 total additional cost for upgrade.</i>	16M1797	\$3,360.00	\$2,541.15	\$1,758.86

Awards

- Buyers' Laboratory 2009 Monochrome MFP Line of the Year
- Better Buys for Business 2009 Editor's Choice

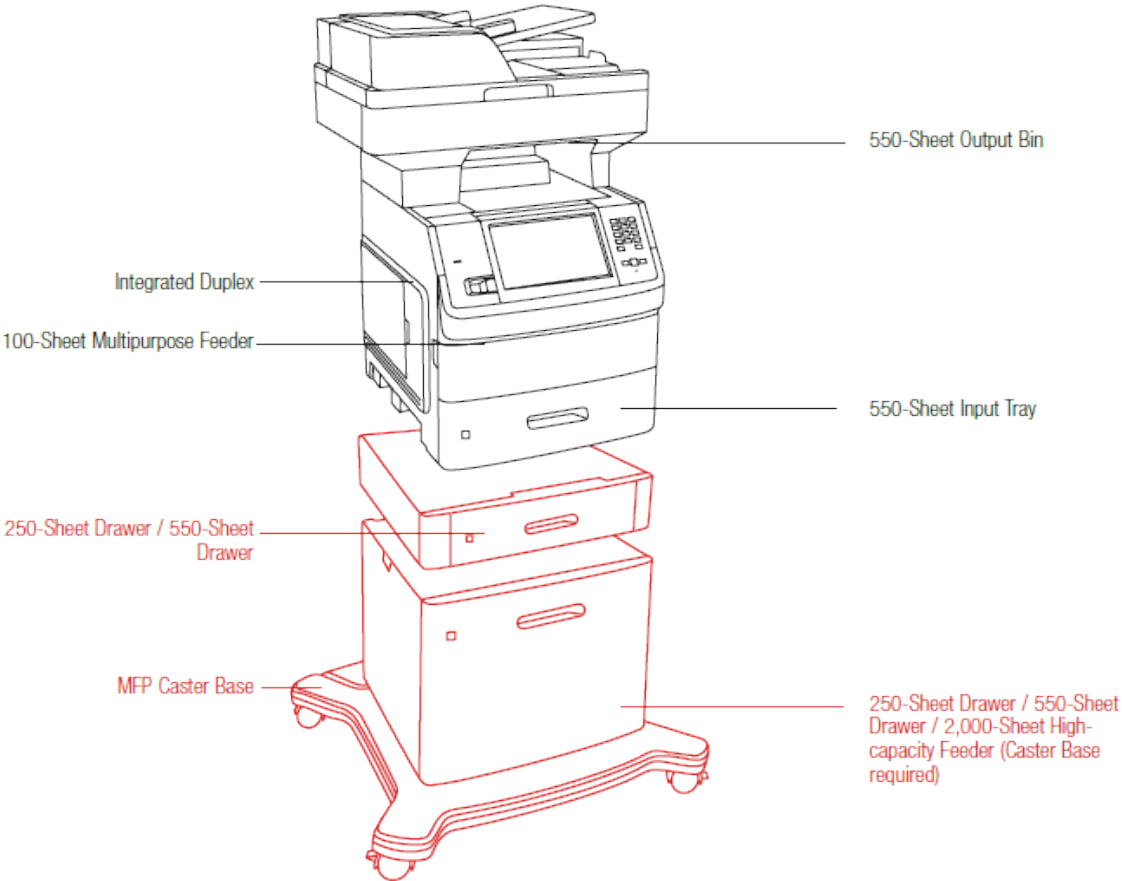


Specifications

Technical Attribute	Specification
Print Technology	Laser
Print Speed	55 PPM
First Page Out	9.5 seconds
Monthly Duty Cycle	275000
Print Quality	1200 Image Quality, 1200 x 1200 dpi, 2400 Image Quality, 600 x 600 dpi
Scan Resolution	600 x 600 dpi
Connectivity	Integrated NIC, 10/100, Boot P Capable, Bonjour/Multicast-DNS (mDNS) Capable, USB 2.0 High Speed Certified (Type B)
Print Languages	PCL 5e emulation, PCL 6 emulation, PPDS, PS 3 Emulation, HTML, PDF 1.6 Emulation, Direct Image, Microsoft XPS
Memory	256 MB
Media Type	Paper, recycled paper, Card Stock, Dual Web Labels, Envelopes, Integrated Labels, Paper Labels, Plain Paper, Polyester Labels, Transparencies, Vinyl Labels
Remote Management Compatibility	Web Based Remote Management via MarkVision Professional Mac OS X, Mac OS 9.2, Windows 7, Server 2008, (WHQL Certified), http://support.lexmark.com
Input printing	550-sheet adjustable tray (8.5"x11" and 8.5"x14" adjustable) + 100-sheet multi-purpose feeder
Input Scanning (ADF) Output	75-sheet ADF
Duplex	550 sheet tray
Productivity Features	Automatic
Energy Management	Copy, Print, LDAP Authenticated Scan to E-mail, LDAP Authenticated Scan to Network, Fax
Footprint (H x W x D)	Energy Star 29.7 x 21.6 x 24.1 in.

Options Configuration

Infographic



■ Paper Handling Standard
■ Paper Handling Optional

Additional Services

Free Basic Assessment Services	Quantity	List Price	Contract Price	Quote Price
<p>Lexmark International, Inc. will be providing the NYS Agencies in the Capital District, as well as NYC agencies that are coordinated by DOITT, a Basic Needs Assessment (Discovery). During our Needs Assessment, Lexmark will explore and analyze the agency's environment around their current hardware deployment. Within our Findings Document, we will recommend an improved future state that includes device consolidation and device optimization by looking at the redundancy of devices, utilization and proper employee to device ratios. Lexmark's overall goal will be to rightsizing the agency's environment for improvements in end-user productivity, as well as cost improvements.</p> <p><i>*Lexmark will be able to customize anything based on the customer's requirements.</i></p>	All	\$5,990.00	\$1,647.80	\$0.00
Deployment Services	Quantity	List Price	Contract Price	Quote Price
Lexmark International, Inc. will be providing deployment services under the NYS 2009 Aggregate Printer Purchase as an optional service. Deployment services will include the following: Unpack and remove boxes, Setup Printer and accessories, configure static TCP/IP address, test printer using supplied NYS/NYC instructions, removal of all packing materials from the site on the same day as installation. At the completion of the deployment, customer will sign-off and accept.	1	\$205.00	\$137.65	\$123.88
	2	\$327.00	\$225.88	\$203.29
	3	\$327.00	\$225.88	\$203.29
	4	\$327.00	\$225.88	\$203.29
	5	\$327.00	\$225.88	\$203.29
	6	\$327.00	\$225.88	\$203.29
	7	\$467.00	\$384.50	\$346.05
	8	\$327.00	\$225.88	\$203.29
	9	\$327.00	\$225.88	\$203.29
	10	\$467.00	\$384.50	\$346.05
<i>*Lexmark will be able to customize anything based on the customer's requirements.</i>				
Disposal Services	Quantity	List Price	Contract Price	Quote Price
Lexmark International, Inc. will be providing optional disposal services. Disposal services include remove de-commissioned printer from NYS Sitefor Disposal, get customer sign-off and acceptance. We will follow all environmental standards for get customer sign-off.	All	\$50.00	\$20.00	\$18.00
<i>*Lexmark will be able to customize anything based on the customer's requirements.</i>				
Trade-In Services	Quantity	List Price	Contract Price	Quote Price
Lexmark International, Inc. will provide the State of New York with the option to trade-in existing printers for a value towards new equipment. The trade-in program will be a one-for-one trade. We will trade-in all models and manufacturers that are in working order, they must be able to print at least one page. The pricing for the trade-in is subject to daily market rates on the equipment. At the time an agency wants purchase new equipment and trade-in existing equipment, Lexmark will provide a competitive trade-in value based on market rate.	All	\$0.00	\$0.00	\$0.00
<i>*Lexmark will be able to customize anything based on the customer's requirements.</i>				

Additional Services Continued

Lexmark Distributed Fleet Management	Part #	List Price	Contract Price	Quote Price
Lexmark's Managed Services provides pro-active monitoring and maintenance of Lexmark devices. It includes usage tracking, low consumable-level alerts, and detailed reporting of under or overused equipment. The ordering of consumables will take place through a customized web portal, accessed by specific Roslyn personnel. Our managed services will also include detailed site surveys to review device location and view physical usage by end-users.	DFM0001	\$15.00 per month per device	\$10.25 per month per device	\$9.25 per month per device
Lexmark Training	Part #	List Price	Contract Price	Quote Price
End user training on all functionality of the device or Lexmark solution. This is above any basic training which is included with installation.	43C0098	\$225.00 per hour	\$100.00 per hour	\$90.00 per hour
Lexmark Discovery	Part #	List Price	Contract Price	Quote Price
Detailed needs assessment and analysis of customers environment. Can be focused on a process or workflow improvement or device consolidation. This is above any basic Assessment that is included in the Printer Initiative.	43C0095	\$225.00 per hour	\$102.99 per hour	\$92.69 per hour
Lexmark Project Management Senior Consulting, System Intergration	Part #	List Price	Contract Price	Quote Price
This allows Lexmark to provide the highest level of service to any End User when integration of a Lexmark Solution is required. A Project Manager will be assigned to manage the day-to-day activities that the customer requires for a flawless implementation of any solution or device needs.	LEX43C0099	\$345.00 per hour	\$164.78 per hour	\$148.30 per hour
Lexmark Forms Design, Data Mapping	Part #	List Price	Contract Price	Quote Price
This allows Lexmark to provide the highest level of service to any End User when integration of a Lexmark Solution is required.	LEX43C0096	\$345.00 per hour	\$113.29 per hour	\$101.96 per hour
Other -- Assessment Management	Part #	List Price	Contract Price	Quote Price
This is part of Lexmark's Distributed Fleet Management.	43C0097	\$345.00 per hour	\$187.50 per hour	\$168.75 per hour

* Lexmark has always provided the State of NY, City of NY, NYC Department of Education and other government and education customers the highest level of service and service offerings. This will continue during the 2010 Aggregate Printer Purchase Initiative.

** Lexmark will provide standard pricing on many service offerings, but can customize and alter any offering to meet the specific needs of the end user.

Part Number & Pricing Index

Part #	Description	List Price	Contract Price	Quote Price
1021294	USB Cable (2-meter)	\$21.00	\$15.76	\$14.18
1022298	128MB DDR1-DRAM	\$724.00	\$486.38	\$437.74
1022299	256MB DDR1-DRAM	\$749.00	\$503.00	\$452.70
1025041	256MB DDR2-DRAM	\$749.00	\$503.19	\$452.88
1025042	512MB DDR2-DRAM	\$899.00	\$604.04	\$543.64
2350257	1st Year Upgrade to Onsite Service, Next Business Day	\$29.00	\$23.89	\$20.00
2350259	2 Year Extended Onsite Warranty, Next Business Day	\$249.00	\$205.16	\$167.73
2350301	1st Year Upgrade to Onsite Service, Next Business Day	\$49.00	\$40.37	\$25.00
2350303	2 Year Extended Onsite Warranty, Next Business Day	\$249.00	\$205.16	\$131.87
2350371	1st Year Upgrade to Onsite Service, Next Business Day	\$39.00	\$32.13	\$20.00
2350373	2 Year Extended Onsite Warranty, Next Business Day	\$349.00	\$287.55	\$210.08
2350476	1st Year Upgrade to Onsite Service, Next Business Day	\$29.00	\$23.89	\$20.00
2350478	2 Year Extended Onsite Warranty, Next Business Day	\$169.00	\$139.24	\$113.06
2350522	2 Year Extended Onsite Warranty, Next Business Day	\$229.00	\$188.68	\$164.88
2350558	2 Year Extended Onsite Warranty, Next Business Day	\$1,079.00	\$889.01	\$543.82
2350799	2 Year Extended Onsite Warranty, Next Business Day	\$399.00	\$328.74	\$251.37
2350853	2 Year Extended Onsite Warranty, Next Business Day	\$999.00	\$823.10	\$543.46
2350889	2 Year Extended Onsite Warranty, Next Business Day	\$599.00	\$493.53	\$301.90
2350907	2 Year Extended Onsite Warranty, Next Business Day	\$599.00	\$493.53	\$301.90
2350261	4 Year Extended Onsite Warranty, Next Business Day	\$479.00	\$394.66	\$379.33
2350305	4 Year Extended Onsite Warranty, Next Business Day	\$479.00	\$394.66	\$379.33
2350375	4 Year Extended Onsite Warranty, Next Business Day	\$669.00	\$551.20	\$529.79
2350480	4 Year Extended Onsite Warranty, Next Business Day	\$429.00	\$353.46	\$318.12
2350801	4 Year Extended Onsite Warranty, Next Business Day	\$699.00	\$575.92	\$518.33
2350524	4 Year Extended Onsite Warranty, Next Business Day	\$659.00	\$542.96	\$488.67
2350855	4 Year Extended Onsite Warranty, Next Business Day	\$2,069.00	\$1,704.69	\$1,534.22
2350891	4 Year Extended Onsite Warranty, Next Business Day	\$1,239.00	\$1,020.84	\$918.75
2350909	4 Year Extended Onsite Warranty, Next Business Day	\$1,239.00	\$1,020.84	\$918.75
2350560	4 Year Extended Onsite Warranty, Next Business Day	\$2,249.00	\$1,853.00	\$1,667.70
3001389	Lexmark X544dn Color Laser MFP	\$999.00	\$755.31	\$469.02
3051532	650-Sheet Duo Drawer with 100-Sheet Multipurpose Feeder	\$252.00	\$167.03	\$150.33
3052765	Lexmark Swivel Cabinet	\$316.00	\$209.05	\$188.15
13C1101	Lexmark X464de Mono Laser MFP	\$1,453.00	\$1,095.67	\$680.38
13C1104	Lexmark X466dwe Mono Laser MFP	\$1,937.00	\$1,461.24	\$938.82
13C1265	Lexmark X466de Mono Laser MFP	\$1,816.00	\$1,365.89	\$850.63
14F0037	MarkNet N8120 Gigabit Ethernet	\$180.00	\$125.01	\$112.51
14F0040	MarkNet N8150 802.11/b/g/n Wireless Print Server	\$544.00	\$377.13	\$100.00
14F0102	80+GB Hard Disk	\$598.00	\$402.34	\$362.11
16A0834	Ethernet Cable (2-meter)	\$25.00	\$19.96	\$17.95
16M1207	Caster Base	\$443.00	\$293.09	\$263.79
16M1210	Caster Base	\$443.00	\$293.09	\$263.78
16M1265	Lexmark X654de Mono Laser MFP	\$3,054.00	\$2,310.05	\$1,534.46
16M1797	Lexmark X656de Mono Laser MFP	\$3,360.00	\$2,541.15	\$1,758.86
25A0451	Lexmark C736dn Color Laser Printer	\$1,408.00	\$1,062.05	\$929.77
26C0000	Lexmark C544dn Color Laser Printer	\$629.00	\$471.67	\$292.90
26C0150	Lexmark C544dw Color Laser Printer	\$749.00	\$566.22	\$355.85
26C0400	Lexmark X544dw Color Laser MFP	\$1,129.00	\$849.85	\$518.76
27S2100	550-Sheet Drawer	\$379.00	\$251.07	\$225.96
27S2400	2000-Sheet High Capacity Feeder	\$760.00	\$503.19	\$452.87
30G0106	Lexmark T650dn Mono Laser Printer	\$1,039.00	\$791.02	\$528.06
30G0300	Lexmark T654dn Mono Laser Printer	\$1,782.00	\$1,294.21	\$730.68
30G0400	Lexmark T656dne Mono Laser Printer	\$2,507.00	\$1,843.62	\$1,490.26
30G0800	250-Sheet Drawer	\$252.00	\$167.03	\$150.33
30G0802	550-Sheet Drawer	\$316.00	\$209.05	\$188.15
30G0804	2000-Sheet High Capacity Feeder	\$633.00	\$419.15	\$377.24
30G0807	Envelope Feeder	\$316.00	\$209.05	\$188.15
30G0849	550-Sheet Lockable Drawer	\$379.00	\$251.07	\$225.96
30G0850	T65x StapleSmart II Finisher	\$316.00	\$209.05	\$188.15
30G0851	T65x Output Expander	\$189.00	\$125.01	\$112.51
30G0852	T65x 5-Bin Mailbox	\$506.00	\$335.11	\$301.60
30G0853	T65x High Capacity Output Stacker	\$506.00	\$335.11	\$301.60
30G0860	400-Sheet Universally Adjustable Tray with Drawer	\$421.00	\$278.38	\$250.55
30G0871	200-Sheet Universally Adjustable Tray with Drawer	\$337.00	\$222.71	\$200.44
34S0250	250-Sheet Drawer	\$163.00	\$108.20	\$97.38
34S0550	550-Sheet Drawer	\$252.00	\$167.03	\$150.33
34S0600	Lexmark E460dw Mono Laser Printer	\$874.00	\$660.76	\$410.31
34S0700	Lexmark E460dn Mono Laser Printer	\$749.00	\$566.22	\$301.97
40X4724	Fuser Maintenance Kit 110-120V	\$350.00	\$239.28	\$0.00
40X5093	Fuser Maintenance 110-120V	\$399.00	\$291.00	\$86.08
40X5096	Transfer Belt Maintenance	\$399.00	\$291.00	\$86.08
40X5400	Fuser Maintenance Kit 110-120V	\$225.00	\$124.44	\$0.00
40X5403	C54x ITU	\$399.00	\$100.50	\$55.96

Part #	Description	List Price	Contract Price	Quote Price
40X5437	Fuser Maintenance 110-120V	\$399.00	\$100.50	\$55.96
43C0099	Asset Tag	\$225.00	\$100.00	\$15.00
C540A1CG	Cyan Return Program Toner Cartridge (1K)	\$69.00	\$47.38	\$42.64
C540A1KG	Return Program Black Toner Cartridge (1K)	\$53.00	\$36.05	\$32.45
C540A1MG	Magenta Return Program Toner Cartridge (1K)	\$69.00	\$47.38	\$42.64
C540A1YG	Yellow Return Program Toner Cartridge (1K)	\$69.00	\$47.38	\$42.64
C540H1CG	Cyan High Yield Return Program Toner Cartridge (2K)	\$96.00	\$65.91	\$59.32
C540H1KG	Black High Yield Return Program Toner Cartridge (4K)	\$81.00	\$55.61	\$50.05
C540H1MG	Magenta High Yield Return Program Toner Cartridge (2K)	\$96.00	\$65.91	\$59.32
C540H1YG	Yellow High Yield Return Program Toner Cartridge (2K)	\$96.00	\$65.01	\$59.32
C540X74G	Black & Color Imaging Kit	\$291.00	\$199.80	\$144.74
C540X75G	Waste Toner Bottle	\$12.00	\$8.03	\$5.82
C544X1CG	Cyan Extra High Yield Return Program Toner Cartridge (4K)	\$162.00	\$111.13	\$77.40
C544X1KG	Black Extra High Yield Return Program Toner Cartridge (6K)	\$165.00	\$113.29	\$78.91
C544X1MG	Magenta Extra High Yield Return Program Toner Cartridge (4K)	\$162.00	\$111.13	\$77.40
C544X1YG	Yellow Extra High Yield Return Program Toner Cartridge (4K)	\$162.00	\$111.13	\$77.40
C734A1CG	Cyan Return Program Toner Cartridge (6K)	\$247.00	\$170.19	\$136.15
C734A1KG	Black Return Program Toner Cartridge (8K)	\$156.00	\$107.11	\$85.69
C734A1MG	Magenta Return Program Toner Cartridge (6K)	\$247.00	\$170.19	\$136.15
C734A1YG	Yellow Return Program Toner Cartridge (6K)	\$247.00	\$170.19	\$136.15
C734X24G	Photoconductor Unit, 4 Pack	\$138.00	\$94.75	\$42.24
C734X77G	Waste Toner Box	\$9.75	\$6.69	\$2.98
C736H1CG	Cyan High Yield Return Program Toner Cartridge (10K)	\$385.00	\$264.99	\$118.13
C736H1KG	Black High Yield Return Program Toner Cartridge (12K)	\$221.00	\$152.01	\$67.77
C736H1KG	High Yield Black Return Program Toner Cartridge (12K)	\$221.00	\$152.01	\$67.77
C736H1MG	Magenta High Yield Return Program Toner Cartridge (10K)	\$385.00	\$264.99	\$118.13
C736H1YG	Yellow High Yield Return Program Toner (10K)	\$385.00	\$264.99	\$118.13
E260A11	Return Program Toner Cartridge (3.5K)	\$133.41	\$78.58	\$68.50
E260X22G	Photoconductor Kit	\$36.00	\$21.63	\$13.84
E460X11A	Extra High Yield Return Program Toner Cartridge (15K)	\$336.00	\$196.20	\$131.50
MS00321	Lexmark X738de Color Laser MFP	\$3,028.00	\$2,283.78	\$1,418.16
T650A11A	Return Program Print Cartridge (7K)	\$202.87	\$114.63	\$99.96
T650H11A	High Yield Return Program Print Cartridge (25K)	\$618.02	\$370.76	\$187.95
T654X11A	Extra High Yield Return Program Print Cartridge (36K)	\$602.00	\$341.10	\$250.50
X463A11G	Standard Return Program (3.5K)	\$134.00	\$82.55	\$74.30
X463H11G	High Yield Return Program (9K)	\$258.00	\$159.43	\$143.49
X463X11G	Extra High Yield Return Program (15K)	\$335.00	\$207.00	\$131.50
X651A11A	Standard Return Program Print Cartridge (7k)	\$202.87	\$114.63	\$103.17
X651H11A	High Yield Return Program Print Cartridge (25K)	\$565.20	\$319.27	\$287.35
X654X11A	Extra High Yield Return Program Print Cartridge (36K)	\$602.00	\$341.10	\$220.44