

# **Disassembly of Waste Electrical and Electronic Equipment (WEEE) Manual**

EU Waste Electronic and Electrical Equipment Directive require producers to provide information of the different electronic and electrical materials and components found in their products at its end-of-life, and disassembly references to treatment and recycling facilities.

1. Product information
2. Materials and components list for selective treatment
3. Disassembly tools
4. Disassembly references

The following information is intended only for the use of recognized treatment and recycling facilities.

---

## **Section 1: Product information**

**Model name(s)** — The product models are group together in series and are mechanically equivalent

### **Lexmark CS820 series –**

CS820de, CS820dte, CS820dtfe, C6160, CS827de

### **Lexmark CX82x series –**

CX820de, CX820dtfe, XC6152, CX827de  
CX825de, CX825dte, CX825dtfe

### **Lexmark CX860 series –**

CX860de, CX860dte, CX860dtfe, XC8160

## Section 2: Materials and components list for selective treatment

**Table 2:** Materials and components list for selective treatment

Description	Count	Notes
Polychlorinated biphenyls (PCB) containing capacitors	0	N/A
Mercury containing components, such as switches or backlighting lamps	0	N/A
Batteries	1	***** <u>Total Count = 1</u> ***** Lithium Manganese Oxide coin cell located on the Controller card
Printed circuit boards greater than 10 cm <sup>2</sup>	multiple	***** <u>Minimum Count = 14</u> ***** For details, see <a href="#">Annex B</a> ***** <u>Options:</u> 1 – 550 Sheet Tray 1 – Stapler *****
Toner cartridges, liquid and pasty, as well as colour toner	9	4 – Toner cartridge 4 – Imaging unit 1 – Waste toner bottle
Plastic component(s) that may contain BFR (brominated <sup>§</sup> flame retardants)	multiple	***** <u>Minimum Count = 35</u> ***** For details, See <a href="#">Annex A</a> ***** <u>Options:</u> <u>+3</u> – for each 550 Paper handling *****
Note (§) - This product may contain plastic parts with brominated flame retardants. Recycler should treat these parts separately. See section 4.3 Disclaimer.		
Asbestos waste and components which contain asbestos	0	N/A
Cathode ray tubes	0	N/A
Chlorofluorocarbons (CFC), Hydrochlorofluorocarbons (HCFC) or Hydrofluorocarbons (HFC), Hydrocarbons (HC)	0	N/A
Gas discharge lamps	0	N/A
Liquid Crystal Display (LCD) greater than 100 cm <sup>2</sup> and those back-lighted with Gas discharge lamps	1	1 (depending on which product model)
External electrical cables	1	Power cord located on the back lower left quadrant
Components containing refractory fibres	0	N/A
Components containing radioactive substances	0	N/A
Electrolyte capacitors containing substances of concern ( <i>capacitors with height &gt; 25 mm, diameter &gt; 25 mm or proportionately similar volume</i> )	1	Capacitor located on Power Supply
Electrical and Electronic (EE) Customer Replaceable Paper handling devices	multiple	See Customer Replaceable Paper handling devices For details, See <a href="#">Annex C</a>
Electrical and Electronic (EE) Customer Replaceable Internal/External Card options	multiple	See External Card options For details, See <a href="#">Annex D</a>

## **Section 3: Common Tools for Disassembly**

**Table 3.1** - Disassembly tools

<b>Item</b>	<b>Description</b>
<b>1</b>	#2 Phillips screwdriver, magnetic
<b>2</b>	Wire cutter
<b>3</b>	E-clip puller or small flat-head screwdriver
<b>4</b>	Standard slotted head screwdriver





## **Section 4: Disassembly references**

### **4.1 Removal procedure(s)**

WEEE materials and components removal procedures are available upon request.

Please Contact: [recycling@lexmark.com](mailto:recycling@lexmark.com)

### **4.2 Graphical illustration of material's and component's location**

-  LCD > 100 cm<sup>2</sup>
-  PCBs > 10 cm<sup>2</sup>
-  Printer components containing Brominated flame retardants
-  Battery

**Please note:** Graphic illustrations contained in this document may differ slightly from actual components

### **4.3 Disclaimer**

#### **Statement on WEEE Bromine Levels**

Manufacturer is compliant with the European Directive 2012/19/EU and European Commission's mandated technical specification CLC/TS 50625-3-1:2015 stating that plastic containing brominated flame retardants (BFR) must be removed from any separately collected WEEE (Article 8, Annex VII) if total bromine concentration in the fraction is known to be >2000 ppm, or expected to be >2000 ppm, or if it is not declared. Concentrations of bromine <2000 ppm are acceptable for reuse and do not require separation, so that the re-use and recycling of components or whole appliances is not hindered per Annex II, Section 3 of the WEEE Directive (2002/96/EU), and Annex VII, Section 3 of the WEEE Directive (2012/19/EU).

## Section 5: Supplies

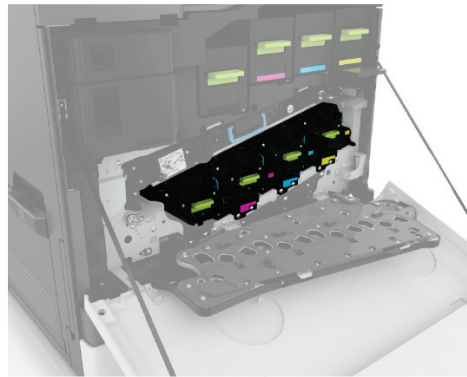
- LCD > 100 cm<sup>2</sup>
- PCBs > 10 cm<sup>2</sup>
- Printer components containing Brominated flame retardants
- Battery



**Figure 5.1:** Toner Cartridge



**Figure 5.2:** Waste toner bottle



**Figure 5.3:** Developer Units

**Table 5: Supplies** – Printed Circuit Boards >10cm<sup>2</sup> and Plastic with Brominated flame retardants

Item	Description
--	None
<b>Table Component Count</b> ( <i>without options</i> )	
LCD>100cm <sup>2</sup>	= 0
PCBs>10cm <sup>2</sup>	= 0
BFR Plastics	= 0
Battery	= 0

## Section 6: Toner cartridge

- LCD > 100 cm<sup>2</sup>
- PCBs > 10 cm<sup>2</sup>
- Printer components containing Brominated flame retardants
- Battery



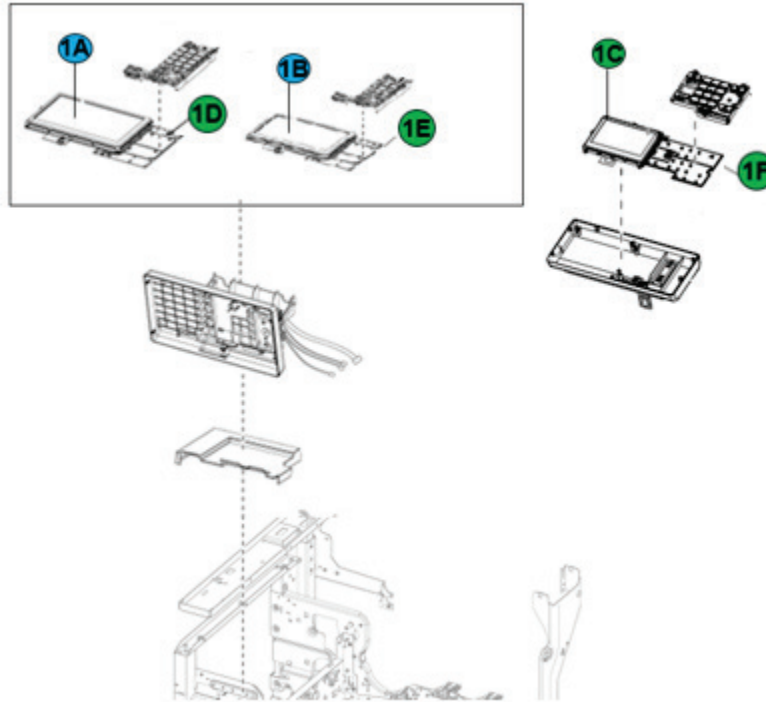
S

**Figure 6.1:** Toner Cartridge

<b>Table 6:</b> Toner cartridge - Printed Circuit Boards >10cm <sup>2</sup> and Plastic with Brominated flame retardants	
Item	Description
<span style="color: green;">1</span>	Toner cartridge memory card
<b>Table Component Count (without options)</b>	
LCD>100cm <sup>2</sup>	= 0
PCBs>10cm <sup>2</sup>	= 1
BFR Plastics	= 0
Battery	= 0

## Section 7: Control Panel

- LCD > 100 cm<sup>2</sup>
- PCBs > 10 cm<sup>2</sup>
- Printer components containing Brominated flame retardants
- Battery



**Figure 7.1:** Control Panel

**Table 7:** Control Panel - Printed Circuit Boards >10cm<sup>2</sup> and Plastic with Brominated flame retardants

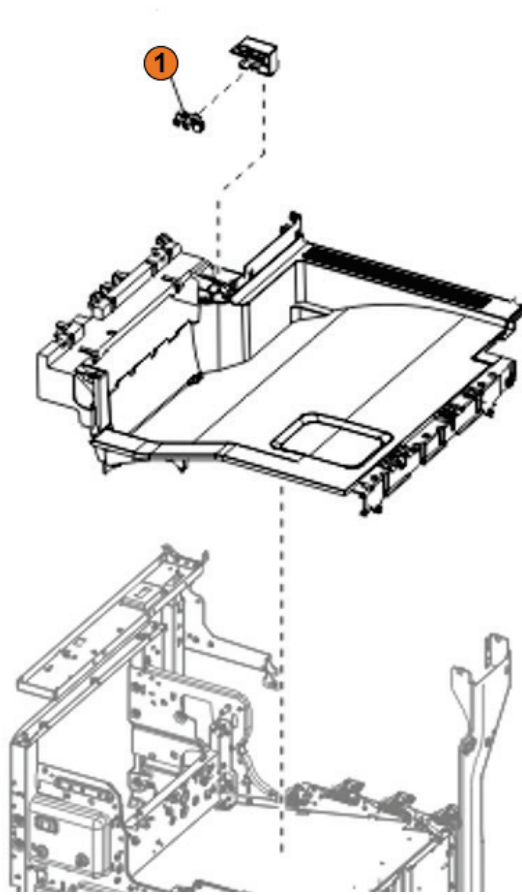
Item	Description
1A	10 in. Control panel display assembly
1B	7 in. Control panel display assembly
1C	4.3 in. Control panel display assembly
1D	10 in. Button control panel PCB
1E	7 in. Button control panel PCB
1F	4.3 in Button control panel PCB

**Table Component Count** (*without options*) Please note there is 1 LCD and 1 Button PCB per model.

LCD>100cm<sup>2</sup> = 1  
 PCBs>10cm<sup>2</sup> = 1  
 BFR Plastics = 0  
 Battery = 0

## Section 8: Covers

- LCD > 100 cm<sup>2</sup>
- PCBs > 10 cm<sup>2</sup>
- Printer components containing Brominated flame retardants
- Battery



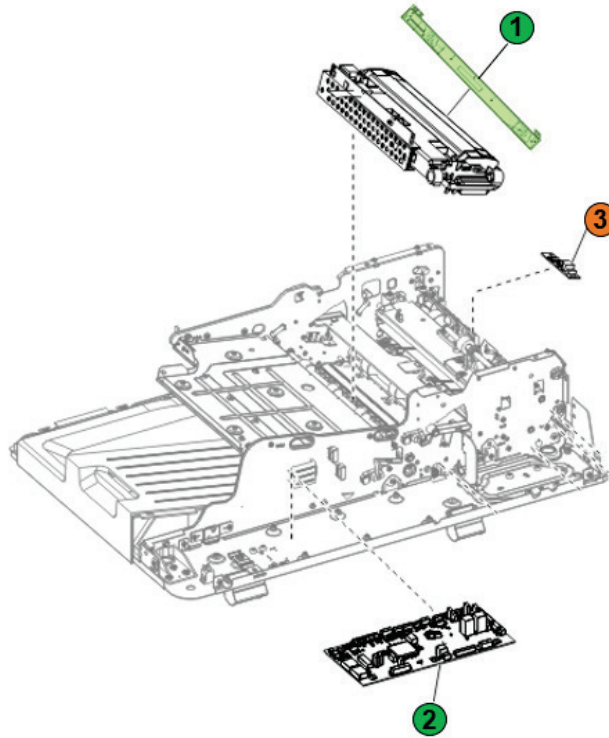
**Figure 8.1:** Covers

**Table 8:** Covers - Printed Circuit Boards >10cm<sup>2</sup> and Brominated Plastic Components

Item	Description
1	Sensor (Bin full)
<b>Table Component Count</b> ( <i>without options</i> )	
LCD>100cm <sup>2</sup> = 0	
PCBs>10cm <sup>2</sup> = 0	
BFR Plastics = 1	
Battery = 0	

## Section 9: Imaging Automatic Document Feed (ADF)

- LCD > 100 cm<sup>2</sup>
- PCBs > 10 cm<sup>2</sup>
- Printer components containing Brominated flame retardants
- Battery



**Figure 9.1:** Imaging ADF

**Table 9:** Imaging ADF - Printed Circuit Boards >10cm<sup>2</sup> and Brominated Plastic Components

Item	Description
1	CCDM, ADF
2	ADF Controller board
3	Sensor (ADF Multifeed receiver)

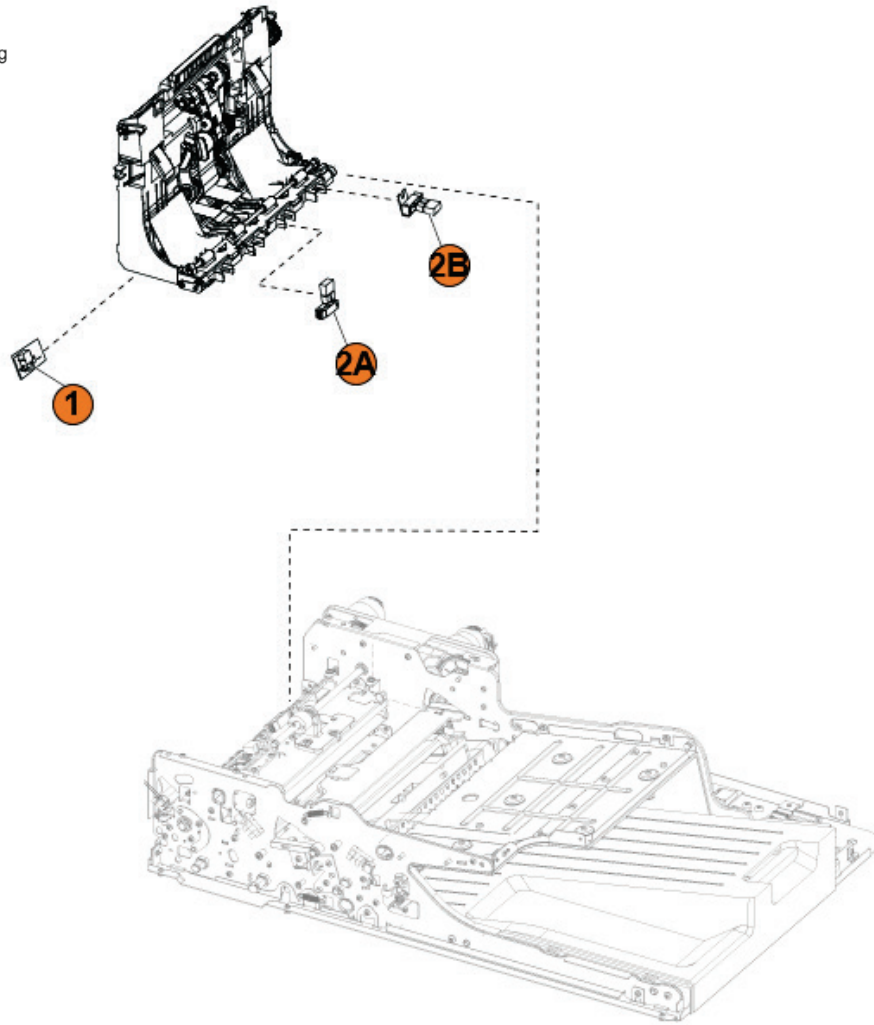
**Table Component Count** (*without options*)

LCD>100cm <sup>2</sup>	= 0
PCBs>10cm <sup>2</sup>	= 2
BFR Plastics	= 1
Battery	= 0



## Section 10: ADF 5

- LCD > 100 cm<sup>2</sup>
- PCBs > 10 cm<sup>2</sup>
- Printer components containing Brominated flame retardants
- Battery



**Figure 10.1:** ADF 5

**Table 10:** ADF 5 - Printed Circuit Boards >10cm<sup>2</sup> and Plastic with Brominated flame retardants

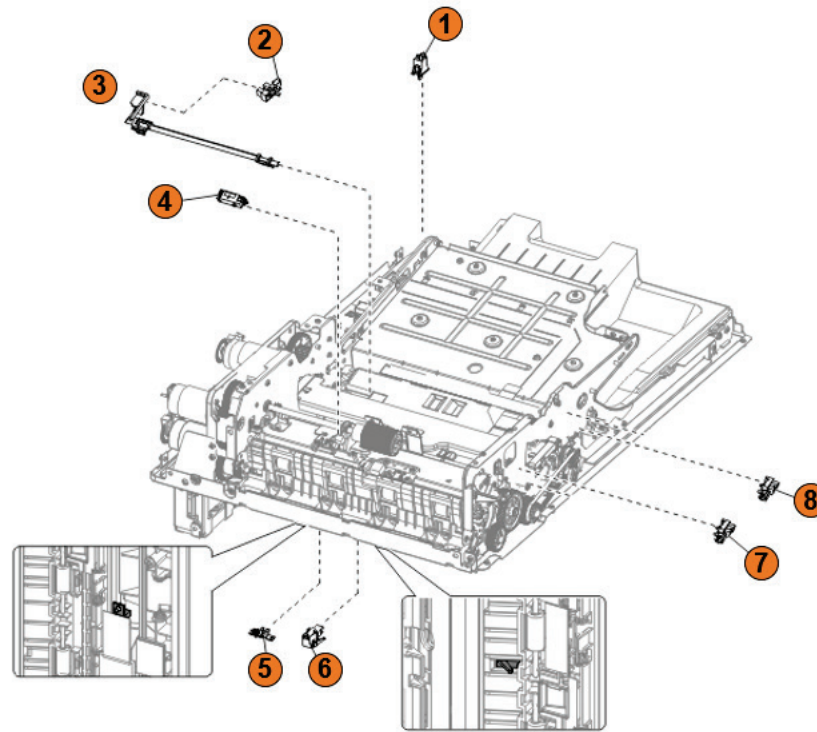
Item	Description
1	Sensor (ADF multifeed transmitter)
2A	Sensor (ADF gap detect)
2B	Sensor (ADF detect)

**Table Component Count** (*without options*)

LCD>100cm<sup>2</sup> = 0  
 PCBs>10cm<sup>2</sup> = 0  
 BFR Plastics = 3  
 Battery = 0

## Section 11: ADF 6

- LCD > 100 cm<sup>2</sup>
- PCBs > 10 cm<sup>2</sup>
- Printer components containing Brominated flame retardants
- Battery



**Figure 11.1:** ADF 6

**Table 11:** ADF 6 - Printed Circuit Boards >10cm<sup>2</sup> and Plastic with Brominated flame retardants

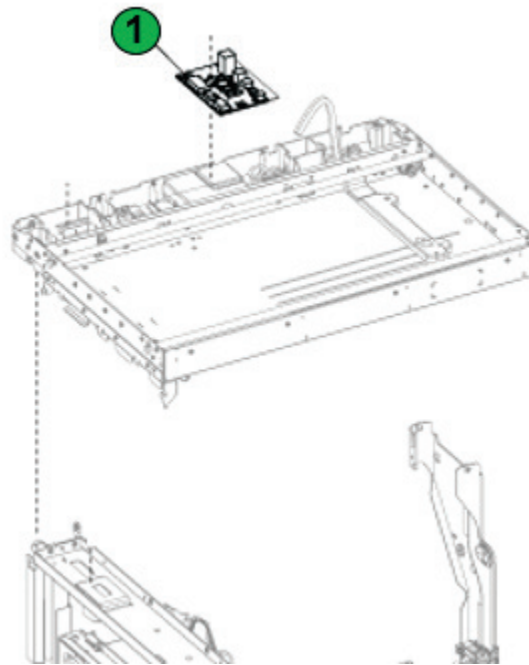
Item	Description
1	Sensor (ADF closed)
2	Sensor (ADF media exit)
3	Sensor (Exit)
4	Sensor (ADF pick)
5	Sensor (ADF 1 <sup>st</sup> scan)
6	Sensor (ADF 2 <sup>nd</sup> scan)
7	Sensor (ADF bottom door interlock)
8	Sensor (ADF top door interlock)

**Table Component Count** (*without options*)

LCD>100cm<sup>2</sup> = 0  
 PCBs>10cm<sup>2</sup> = 0  
 BFR Plastics = 8  
 Battery = 0

## Section 12: Flatbed scanner 2

- LCD > 100 cm<sup>2</sup>
- PCBs > 10 cm<sup>2</sup>
- Printer components containing Brominated flame retardants
- Battery



**Figure 12.1:** Flatbed scanner 2

**Table 12:** Flatbed scanner 2 - Printed Circuit Boards >10cm<sup>2</sup> and Plastic with Brominated flame retardants

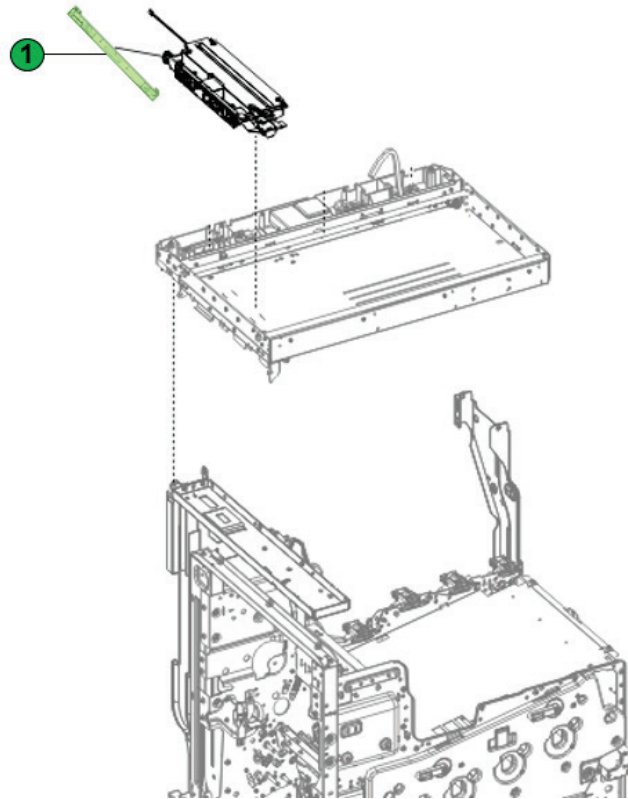
Item	Description
1	Flatbed scanner board

**Table Component Count** (*without options*)

LCD>100cm<sup>2</sup> = 0  
 PCBs>10cm<sup>2</sup> = 1  
 BFR Plastics = 0  
 Battery = 0

## Section 13: Flatbed scanner 3

- LCD > 100 cm<sup>2</sup>
- PCBs > 10 cm<sup>2</sup>
- Printer components containing Brominated flame retardants
- Battery



**Figure 13.1:** Flatbed scanner 3

**Table 13:** Flatbed scanner 3 - Printed Circuit Boards >10cm<sup>2</sup> and Plastic with Brominated flame retardants

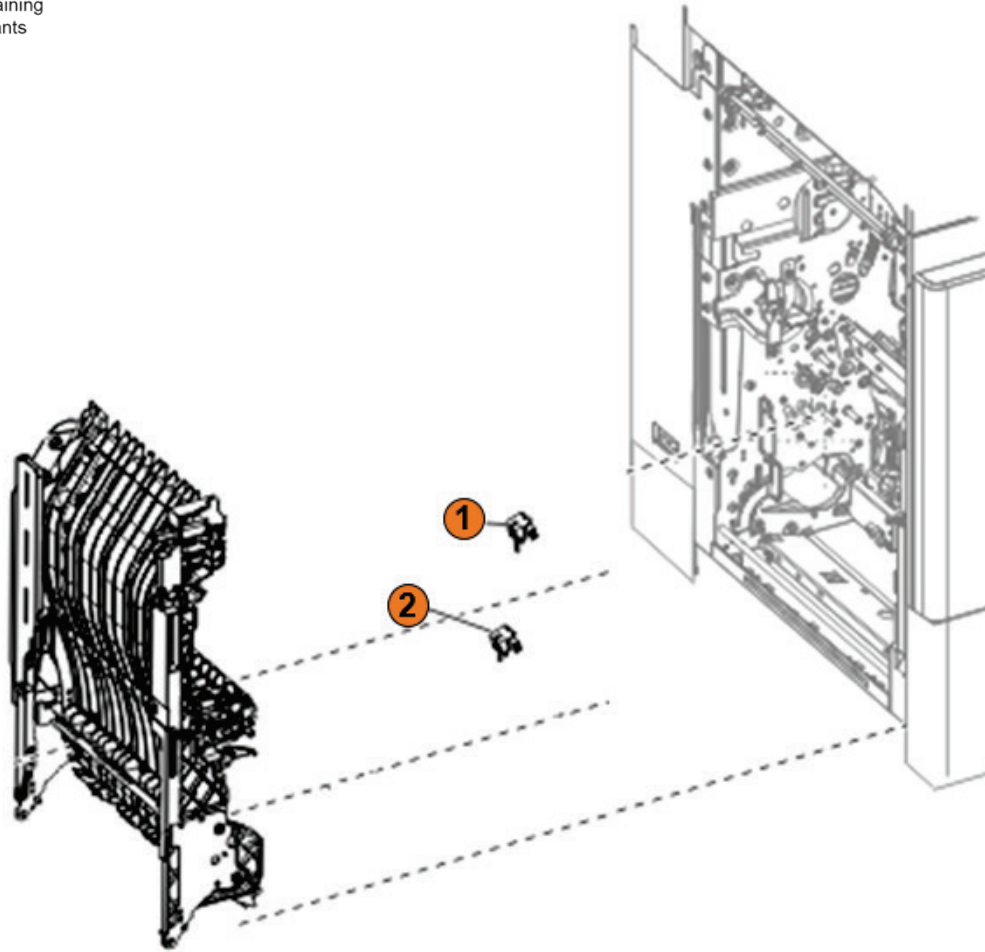
Item	Description
1	CCDM, flatbed board

**Table Component Count** (*without options*)

LCD>100cm<sup>2</sup> = 0  
 PCBs>10cm<sup>2</sup> = 1  
 BFR Plastics = 0  
 Battery = 0

## Section 14: Duplex

- LCD > 100 cm<sup>2</sup>
- PCBs > 10 cm<sup>2</sup>
- Printer components containing Brominated flame retardants
- Battery



**Figure 14.1:** Duplex

**Table 14:** Duplex- Printed Circuit Boards >10cm<sup>2</sup> and Plastic with Brominated flame retardants

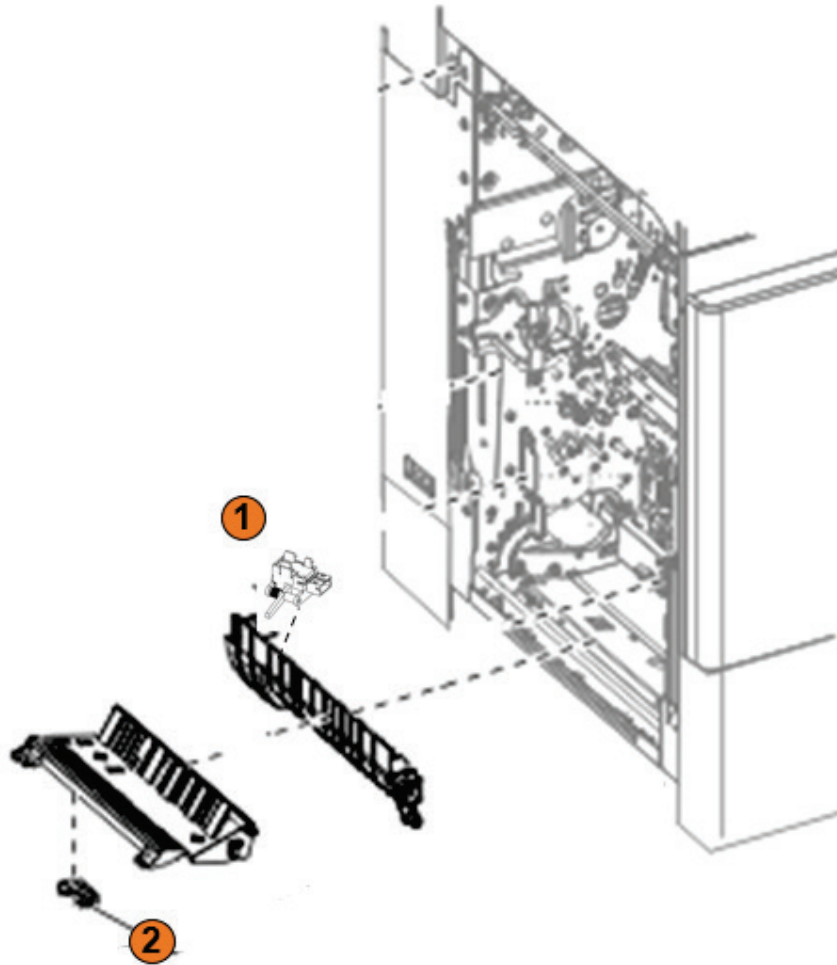
Item	Description
<b>1</b>	Sensor (Duplex path 1)
<b>2</b>	Sensor (Duplex path 2)

**Table Component Count** (*without options*)

LCD>100cm<sup>2</sup> = 0  
 PCBs>10cm<sup>2</sup> = 0  
 BFR Plastics = 2  
 Battery = 0

## Section 15: Left door

- LCD > 100 cm<sup>2</sup>
- PCBs > 10 cm<sup>2</sup>
- Printer components containing Brominated flame retardants
- Battery



**Figure 15.1:** Left door

**Table 15:** Left door- Printed Circuit Boards >10cm<sup>2</sup> and Plastic with Brominated flame retardants

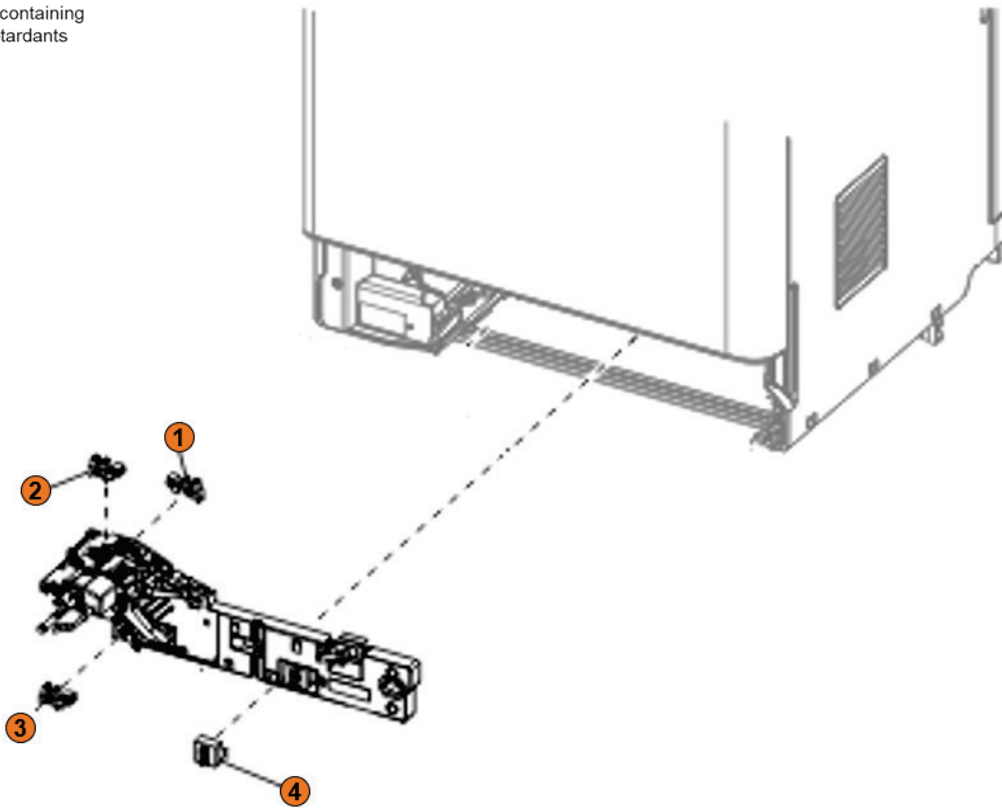
Item	Description
<b>1</b>	Sensor (pass through)
<b>2</b>	Sensor (paper present)

**Table Component Count** (without options)

LCD>100cm<sup>2</sup> = 0  
 PCBs>10cm<sup>2</sup> = 0  
 BFR Plastics = 2  
 Battery = 0

## Section 16: Feeder

- LCD > 100 cm<sup>2</sup>
- PCBs > 10 cm<sup>2</sup>
- Printer components containing Brominated flame retardants
- Battery



**Figure 16.1:** Feeder

**Table 16:** Feeder - Printed Circuit Boards >10cm<sup>2</sup> and Plastic with Brominated flame retardants

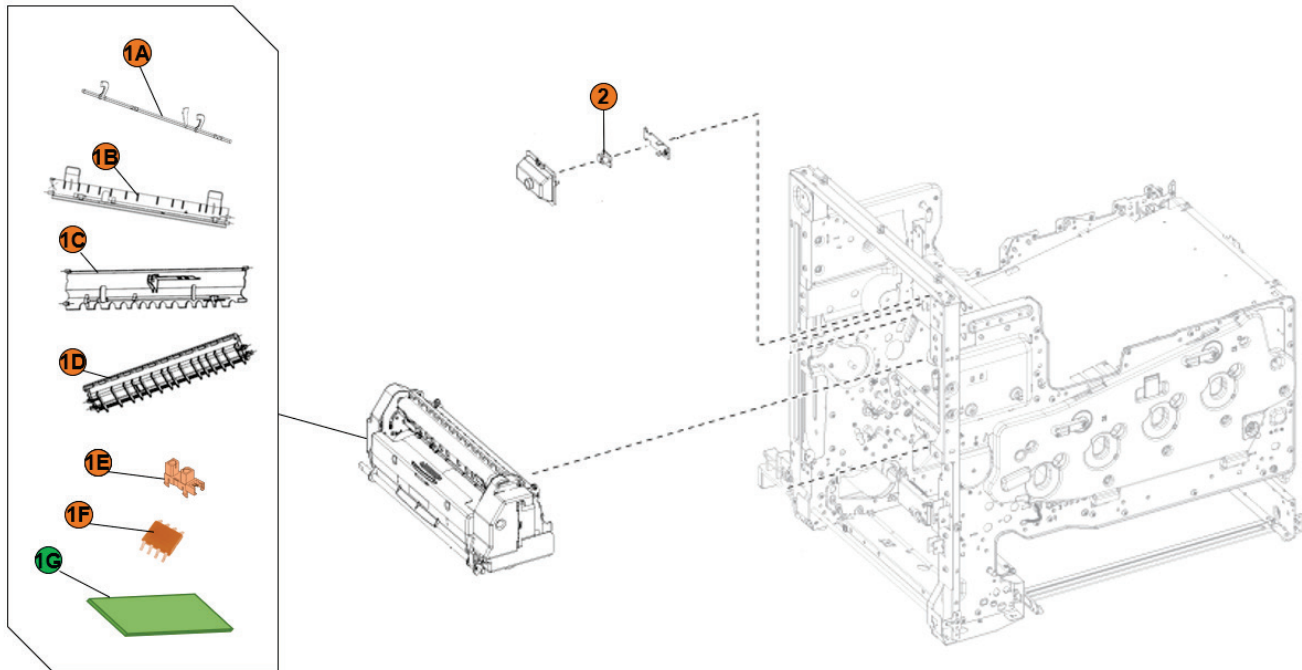
Item	Description
1	Sensor (media out)
2	Sensor (index)
3	Sensor (media low)
4	Sensor (media size)

**Table Component Count** (without options)

LCD>100cm<sup>2</sup> = 0  
 PCBs>10cm<sup>2</sup> = 0  
 BFR Plastics = 4  
 Battery = 0

## Section 17: Fuser

- LCD > 100 cm<sup>2</sup>
- PCBs > 10 cm<sup>2</sup>
- Printer components containing Brominated flame retardants
- Battery



**Figure 17.1:** Fuser

**Table 17:** Fuser - Printed Circuit Boards >10cm<sup>2</sup> and Plastic with Brominated flame retardants

Item	Description
1A	21K1216 - Flag
1B	21K1245 - Guide Exit BUR Side
1C	21K1383 - Guide Exit Belt Side
1D	21K1246 - Entry Fuser
1E	Sensor (Photo)
1F	Sensor (temperature)
1G	Fuser PCBA
2	Sensor (Fuser temperature)

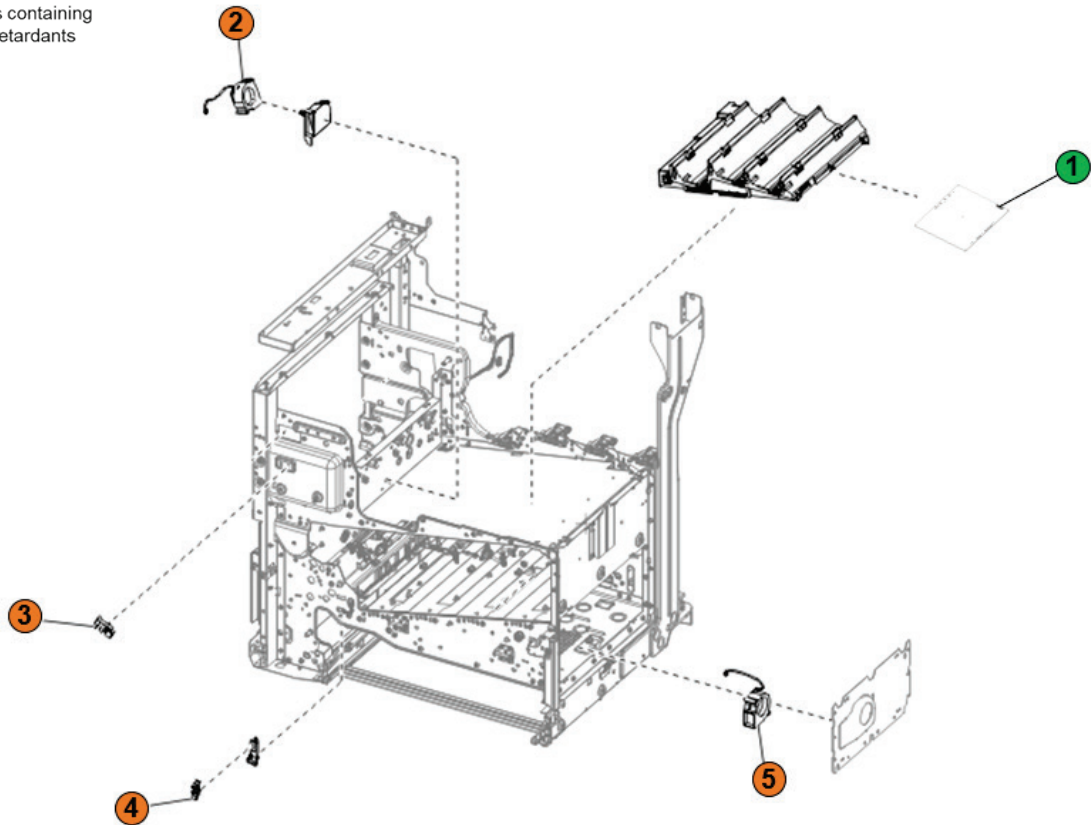
**Table Component Count** (without options)

LCD>100cm<sup>2</sup> = 0  
 PCBs>10cm<sup>2</sup> = 1  
 BFR Plastics = 7  
 Battery = 0



## Section 18: Electronics - Front

- LCD > 100 cm<sup>2</sup>
- PCBs > 10 cm<sup>2</sup>
- Printer components containing Brominated flame retardants
- Battery



**Figure 18.1:** Electronics - front

**Table 18:** Electronics - front - Printed Circuit Boards >10cm<sup>2</sup> and Plastic with Brominated flame retardants

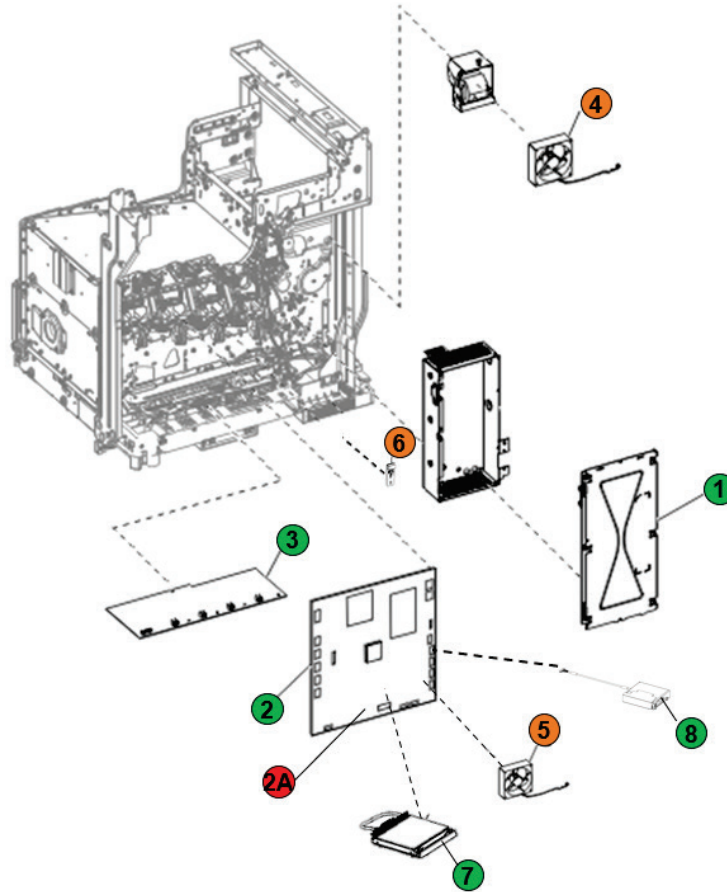
Item	Description
1	Main HVPS
2	HVPS fan
3	Sensor (waste toner bottle present)
4	Sensor (Door interlock)
5	Printhead fan

**Table Component Count** (*without options*)

LCD>100cm<sup>2</sup> = 0  
 PCBs>10cm<sup>2</sup> = 1  
 BFR Plastics = 4  
 Battery = 0

## Section 19: Electronics - Rear

- LCD > 100 cm<sup>2</sup>
- PCBs > 10 cm<sup>2</sup>
- Printer components containing Brominated flame retardants
- Battery



**Figure 19.1:** Electronics -Rear

**Table 19:** Electronics - Rear - Printed Circuit Boards >10cm<sup>2</sup> and Plastic with Brominated flame retardants

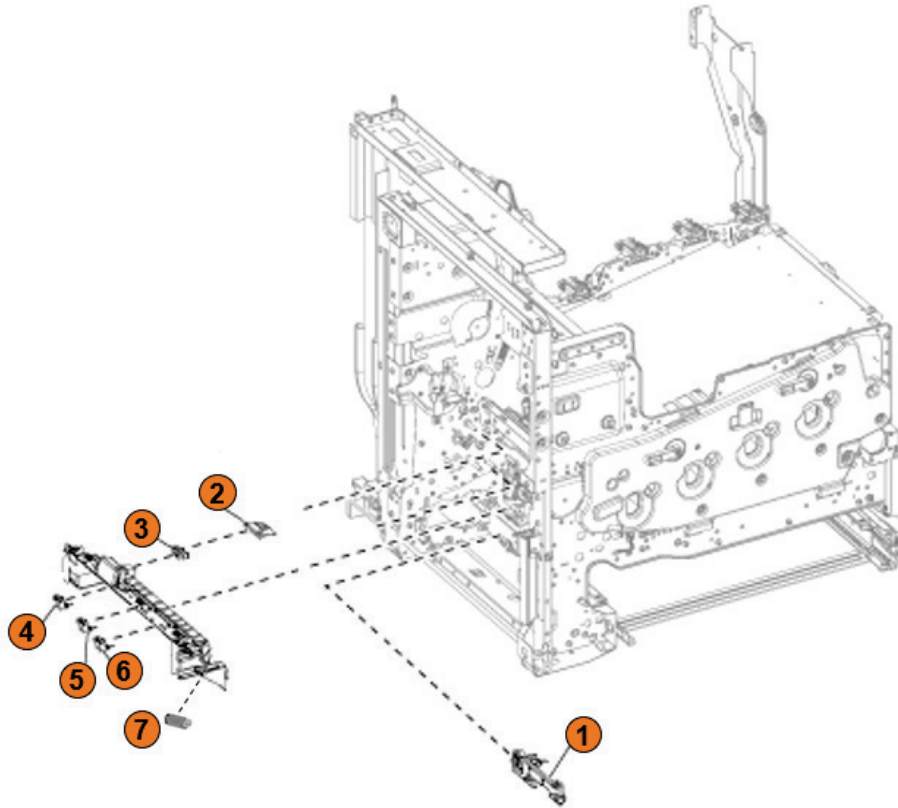
Item	Description
1	LVPS
2	Controller board
2A	Battery
3	Charge roller HVPS
4	Main fan
5	Controller board fan
6	Sensor (weather station)
7	Hard drive
8	Fax card

**Table Component Count** (without options)

LCD>100cm<sup>2</sup> = 0  
 PCBs>10cm<sup>2</sup> = 5  
 BFR Plastics = 3  
 Battery = 1

## Section 20: Registration

- LCD > 100 cm<sup>2</sup>
- PCBs > 10 cm<sup>2</sup>
- Printer components containing Brominated flame retardants
- Battery



**Figure 20.1:** Registration

**Table 20:** Registration - Printed Circuit Boards >10cm<sup>2</sup> and Plastic with Brominated flame retardants

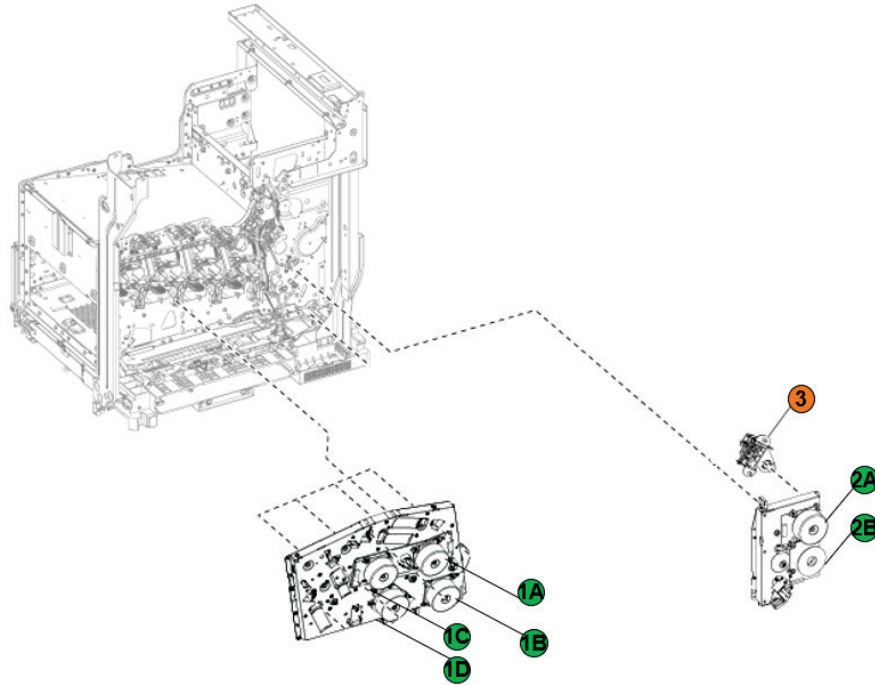
Item	Description
1	Sensor (Input)
2	Sensor (Aperture)
3	Sensor (Deskew roller exit)
4	Sensor (Deskew roller entry)
5	Sensor (Narrow media)
6	Sensor (Near narrow media)
7	Sensor (photo)

**Table Component Count** (without options)

LCD>100cm<sup>2</sup> = 0  
 PCBs>10cm<sup>2</sup> = 0  
 BFR Plastics = 7  
 Battery = 0

## Section 21: Motors

- LCD > 100 cm<sup>2</sup>
- PCBs > 10 cm<sup>2</sup>
- Printer components containing Brominated flame retardants
- Battery



**Figure 21.1:** Motors

**Table 21:** Motors- Printed Circuit Boards >10cm<sup>2</sup> and Plastic with Brominated flame retardants

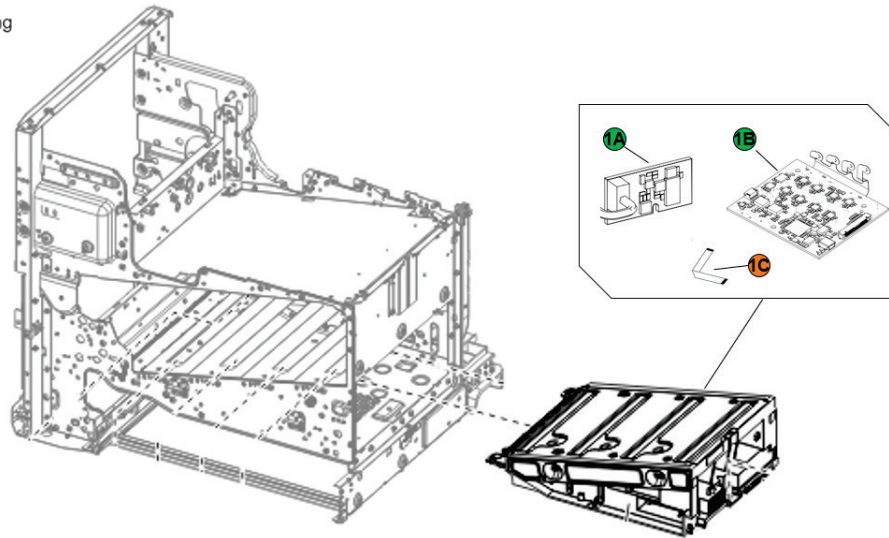
Item	Description
1A	EP developer toner gearbox 1
1B	EP developer toner gearbox 2
1C	EP developer toner gearbox 3
1D	EP developer toner gearbox 4
2A	Fuser/ transfer belt gearbox 1
2B	Fuser/ transfer belt gearbox 2
3	Sensor (waste toner full)

**Table Component Count** (*without options*)

LCD>100cm<sup>2</sup> = 0  
 PCBs>10cm<sup>2</sup> = 6  
 BFR Plastics = 1  
 Battery = 0

## Section 22: Printhead

- LCD > 100 cm<sup>2</sup>
- PCBs > 10 cm<sup>2</sup>
- Printer components containing Brominated flame retardants
- Battery



**Figure 22.1:** Printhead

**Table 22:** Printhead- Printed Circuit Boards >10cm<sup>2</sup> and Plastic with Brominated flame retardants

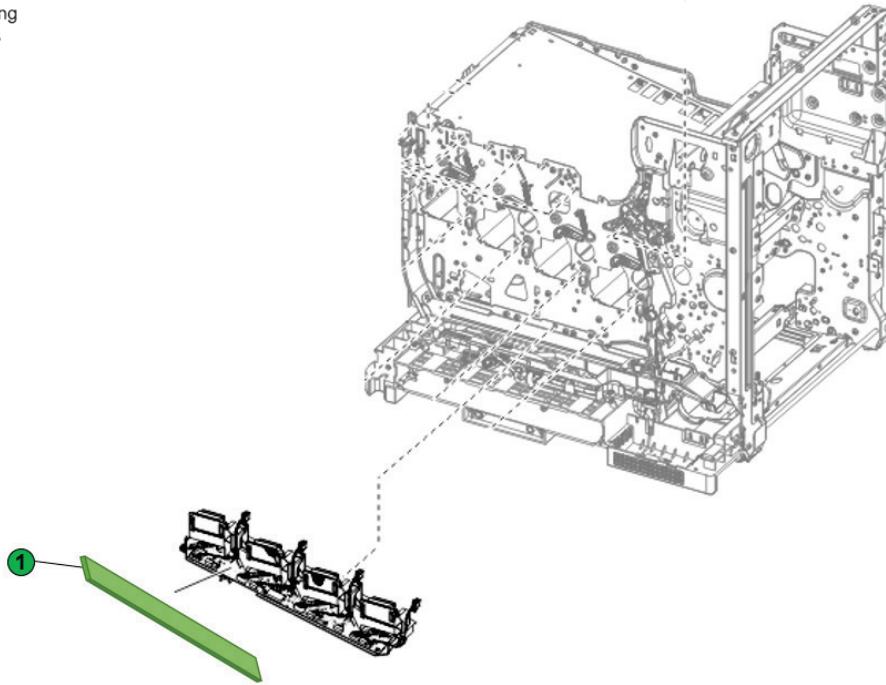
Item	Description
1A	Hsync card
1B	LD card
1C	Printhead tape

**Table Component Count** (*without options*)

LCD>100cm<sup>2</sup> = 0  
 PCBs>10cm<sup>2</sup> = 2  
 BFR Plastics = 1  
 Battery = 0

## Section 23: Toner supply

- LCD > 100 cm<sup>2</sup>
- PCBs > 10 cm<sup>2</sup>
- Printer components containing Brominated flame retardants
- Battery



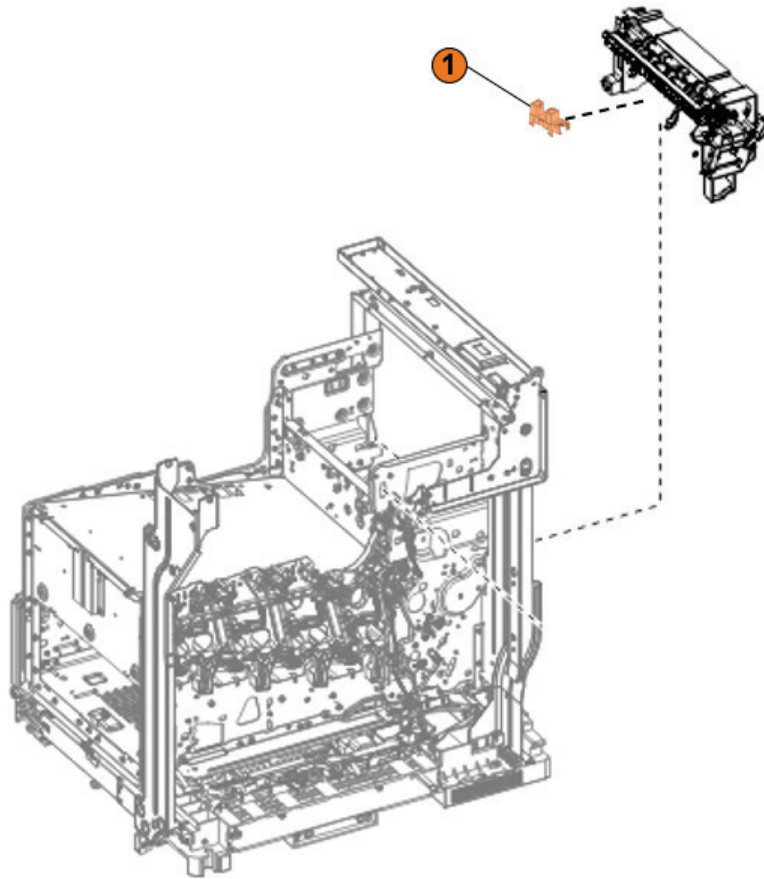
**Figure 23.1:** Toner Supply

**Table 23:** Toner Supply- Printed Circuit Boards >10cm<sup>2</sup> and Plastic with Brominated flame retardants

Item	Description
1	Smart chip interface board
<b>Table Component Count</b> (without options)	
LCD>100cm <sup>2</sup>	= 0
PCBs>10cm <sup>2</sup>	= 1
BFR Plastics	= 0
Battery	= 0

## Section 24: Redrive

- LCD > 100 cm<sup>2</sup>
- PCBs > 10 cm<sup>2</sup>
- Printer components containing Brominated flame retardants
- Battery



**Figure 24.1:** Redrive

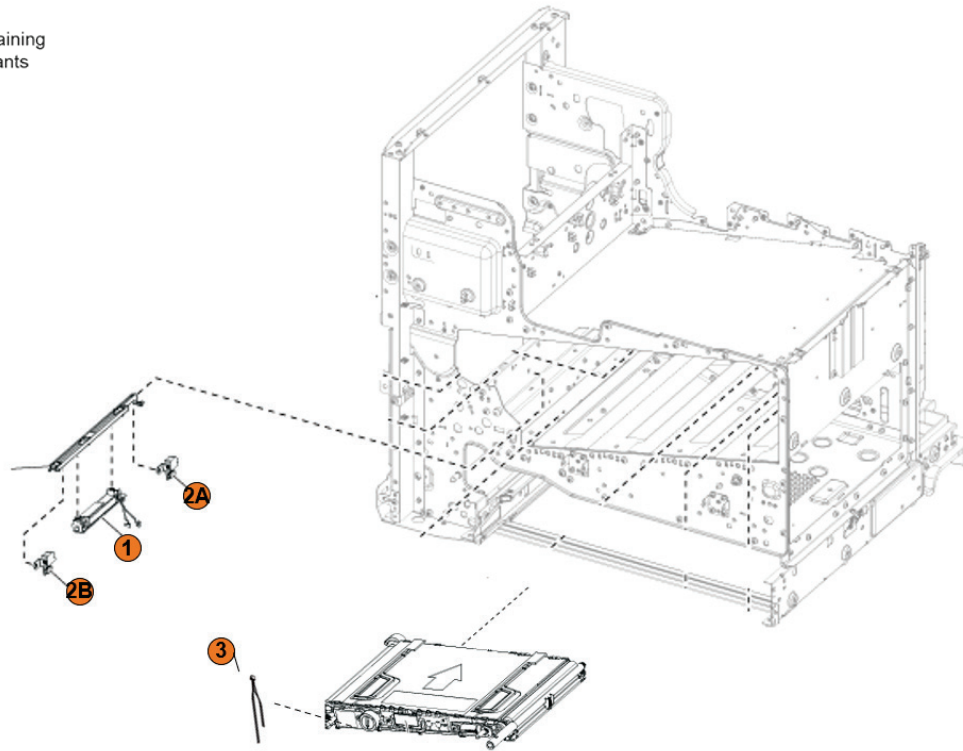
**Table 24:** Redrive- Printed Circuit Boards >10cm<sup>2</sup> and Plastic with Brominated flame retardants

Item	Description
1	Sensor (Photo)
<b>Table Component Count</b> ( <i>without options</i> )	
LCD>100cm <sup>2</sup>	= 0
PCBs>10cm <sup>2</sup>	= 0
BFR Plastics	= 1
Battery	= 0



## Section 25: Transfer- Front

- LCD > 100 cm<sup>2</sup>
- PCBs > 10 cm<sup>2</sup>
- Printer components containing Brominated flame retardants
- Battery



**Figure 25.1:** Transfer- Front

**Table 25:** Transfer- Front- Printed Circuit Boards >10cm<sup>2</sup> and Plastic with Brominated flame retardants

Item	Description
1	Sensor (TPS)
2A	Sensor (Auto alignment)
2B	Sensor (Auto alignment)
3	Sensor (Drive roll)

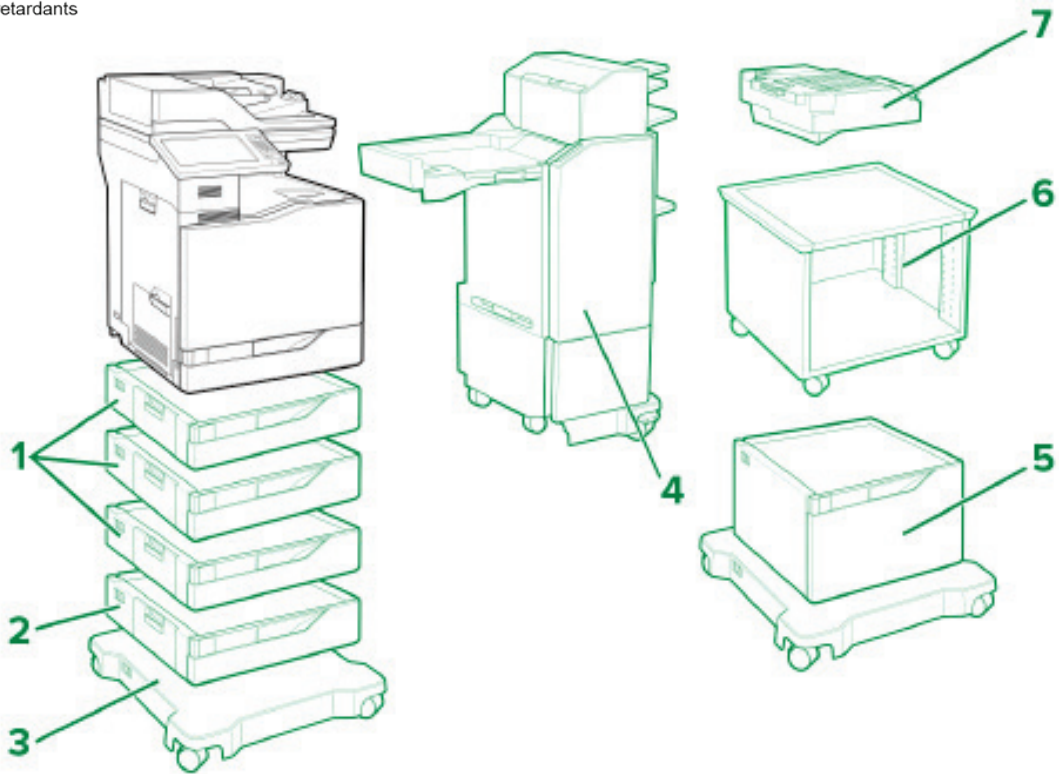
**Table Component Count** (*without options*)

LCD>100cm<sup>2</sup> = 0  
 PCBs>10cm<sup>2</sup> = 0  
 BFR Plastics = 4  
 Battery = 0



## Section 26: For Reference Only (Customer Replaceable Paper handling devices)

- LCD > 100 cm<sup>2</sup>
- PCBs > 10 cm<sup>2</sup>
- Printer components containing Brominated flame retardants
- Battery



**Figure 26.1:** Customer Replaceable Paper Handling Devices

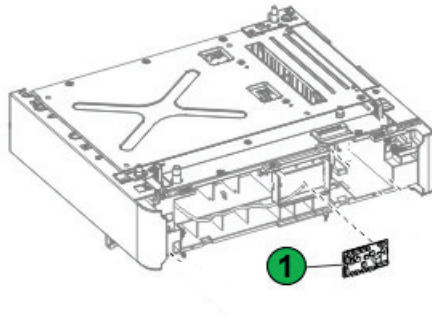
**Table 26:** For Reference Only (Customer Replaceable Paper Handling Devices)

Item	Description
1	550-sheet tray
2	Envelope tray
3	Caster base*
4	Multiposition stapler, hole punch finisher short/ tall
5	2200-sheet tray
6	Adjustable print stand*
7	Staple finisher

Options marked with (\*) are non-Electrical and electronic units

## Section 27: Paper Handling Options 550 Sheet / Envelope Tray Rear

- LCD > 100 cm<sup>2</sup>
- PCBs > 10 cm<sup>2</sup>
- Printer components containing Brominated flame retardants
- Battery



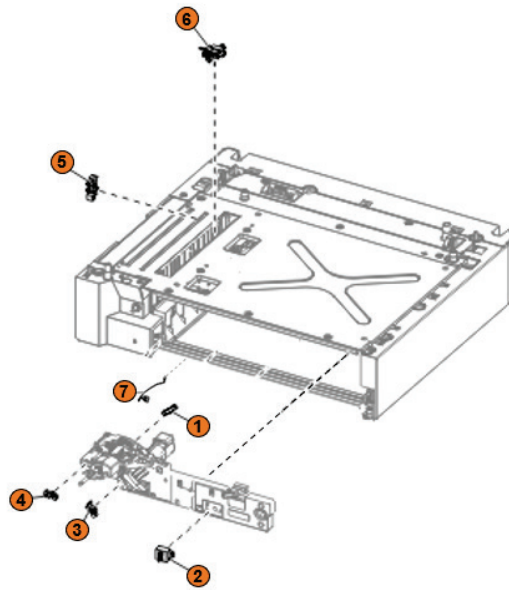
**Figure 27.1:** Paper Handling Options 550 Sheet / Envelope Tray Rear

**Table 27:** Paper Handling Options 550 Sheet / Envelope Tray Rear - Printed Circuit Boards >10cm<sup>2</sup> and Plastic with Brominated flame retardants

Item	Description
<b>1</b>	550-sheet tray controller board
<b>Table Component Count (without options)</b>	
LCD>100cm <sup>2</sup>	= 0
PCBs>10cm <sup>2</sup>	= 0
BFR Plastics	= 0
Battery	= 0

## Section 28: Paper Handling Options –550 Sheet/ Envelope Tray Front

- LCD > 100 cm<sup>2</sup>
- PCBs > 10 cm<sup>2</sup>
- Printer components containing Brominated flame retardants
- Battery



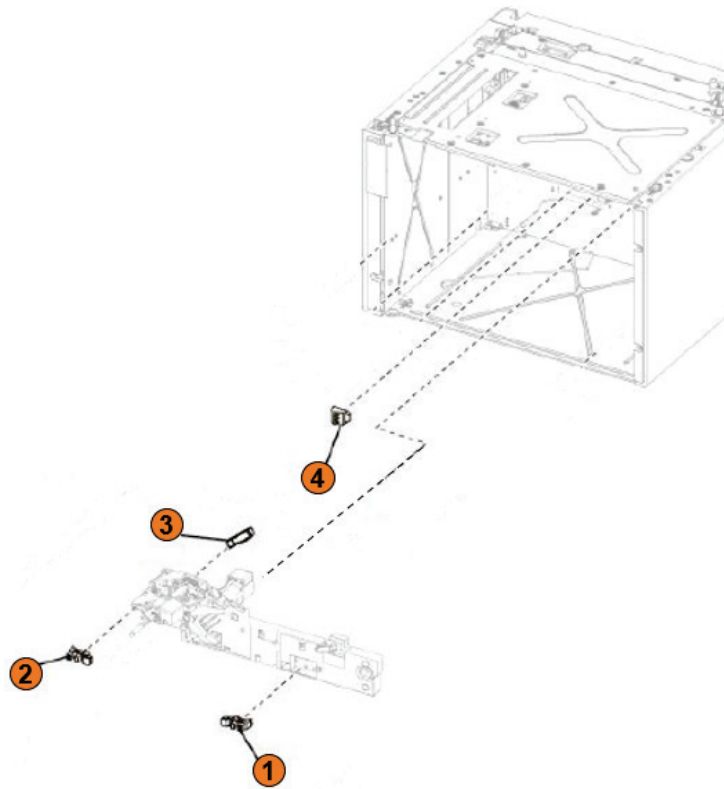
**Figure 28.1:** Paper Handling Options – 550 Sheet/ Envelope Tray Front

**Table 28: Paper Handling Options – 550 Sheet/ Envelope Tray Front – Printed Circuit Boards >10cm<sup>2</sup> and Plastic with Brominated flame retardants**

Item	Description
1	Sensor (media out)
2	Sensor (media size)
3	Sensor (media low)
4	Sensor (index)
5	Sensor (Jam door)
6	Sensor (Passthrough)
7	Sensor (Wake up)
<b>Table Component Count (without options)</b>	
LCD>100cm <sup>2</sup>	= 0
PCBs>10cm <sup>2</sup>	= 0
BFR Plastics	= 0
Battery	= 0

## Section 29: Paper Handling Options – 2200 Sheet Tray Rear

- LCD > 100 cm<sup>2</sup>
- PCBs > 10 cm<sup>2</sup>
- Printer components containing Brominated flame retardants
- Battery



**Figure 29.1:** Paper Handling Options – 2200 Sheet Tray Rear

**Table 29 Paper Handling Options – 2200 Sheet Tray Rear – Printed Circuit Boards >10cm<sup>2</sup> and Plastic with Brominated flame retardants**

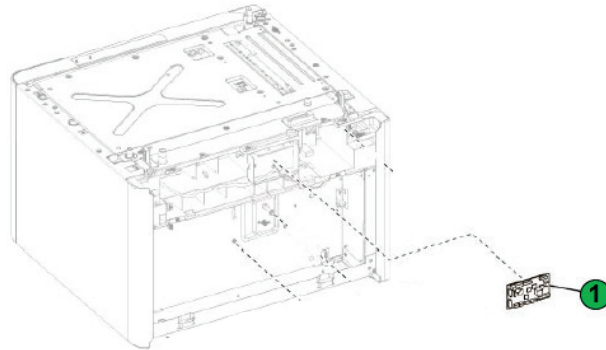
Item	Description
<b>1</b>	Sensor (media low)
<b>2</b>	Sensor (index)
<b>3</b>	Sensor (media out)
<b>4</b>	Sensor (media size)

**Table Component Count** (*without options*)

LCD>100cm<sup>2</sup> = 0  
 PCBs>10cm<sup>2</sup> = 0  
 BFR Plastics = 0  
 Battery = 0

## Section 30: Paper Handling Options 550 – 2200 Sheet / Envelope Tray Rear

- LCD > 100 cm<sup>2</sup>
- PCBs > 10 cm<sup>2</sup>
- Printer components containing Brominated flame retardants
- Battery



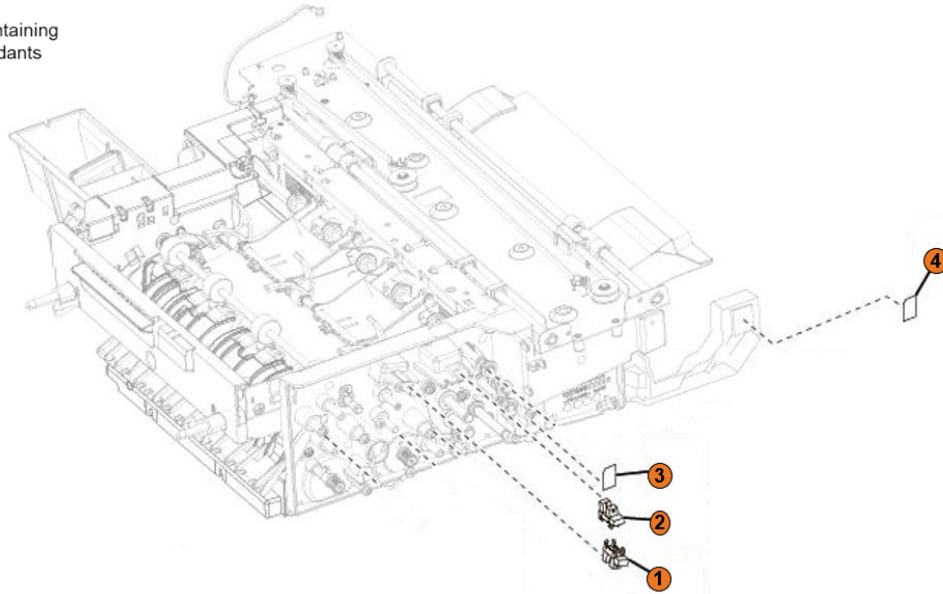
**Figure 30.1:** Paper Handling Options 550– 2200 Sheet / Envelope Tray Rear

**Table 30:** Paper Handling Options 550 – 2200 Sheet / Envelope Tray Rear - Printed Circuit Boards >10cm<sup>2</sup> and Plastic with Brominated flame retardants

Item	Description
<b>1</b>	550-sheet tray controller board Controller board
<b>Table Component Count (without options)</b>	
LCD>100cm <sup>2</sup>	= 0
PCBs>10cm <sup>2</sup>	= 0
BFR Plastics	= 0
Battery	= 0

## Section 31: Paper Handling Options – Staple Finisher Front

- LCD > 100 cm<sup>2</sup>
- PCBs > 10 cm<sup>2</sup>
- Printer components containing Brominated flame retardants
- Battery



**Figure 31.1:** Paper Handling Options– Staple Finisher Front

**Table 31:** Paper Handling – Staple Finisher Front - Printed Circuit Boards >10cm<sup>2</sup> and Plastic with Brominated flame retardants

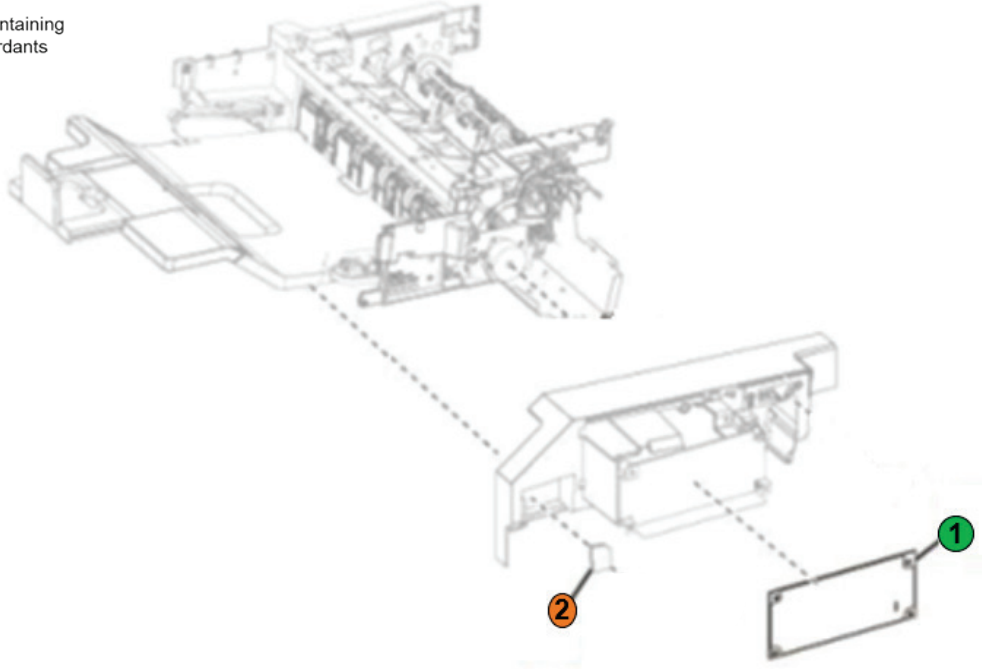
Item	Description
1	Sensor (aligner )
2	Sensor (exit )
3	Sensor (lower bin full)
4	Sensor (upper bin full)

**Table Component Count (without options)**

LCD>100cm<sup>2</sup> = 0  
 PCBs>10cm<sup>2</sup> = 0  
 BFR Plastics = 0  
 Battery = 0

## Section 32: Paper Handling Options – Staple Finisher Electrical

- LCD > 100 cm<sup>2</sup>
- PCBs > 10 cm<sup>2</sup>
- Printer components containing Brominated flame retardants
- Battery



**Figure 32.1:** Paper Handling Options – Staple Finisher Electrical

**Table 32:** Paper Handling Options 550 Sheet / Envelope Tray Rear - Printed Circuit Boards >10cm<sup>2</sup> and Plastic with Brominated flame retardants

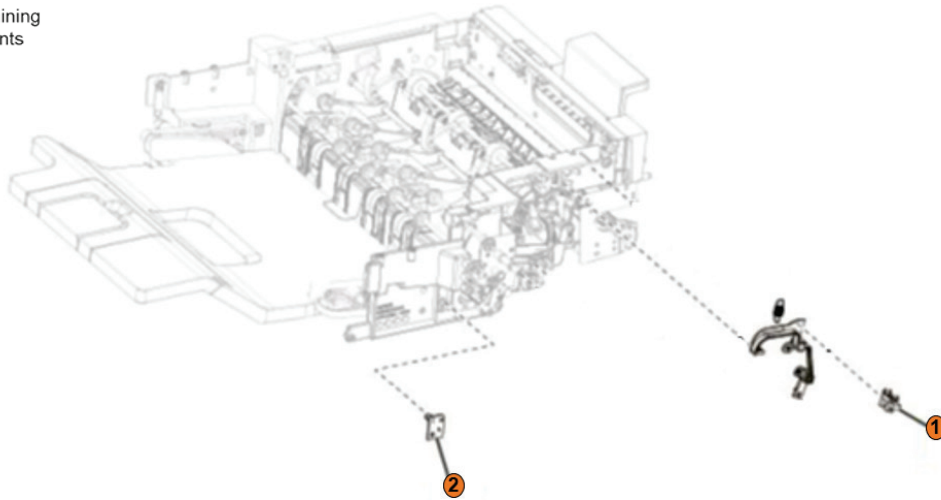
Item	Description
<span style="color: green;">1</span>	Finisher controller board
<span style="color: orange;">2</span>	Sensor (Bin full)

**Table Component Count** (*without options*)

LCD>100cm<sup>2</sup> = 0  
 PCBs>10cm<sup>2</sup> = 0  
 BFR Plastics = 0  
 Battery = 0

## Section 33: Paper Handling Options – Staple Finisher Rear

- LCD > 100 cm<sup>2</sup>
- PCBs > 10 cm<sup>2</sup>
- Printer components containing Brominated flame retardants
- Battery



**Figure 33.1:** Paper Handling Options – Staple Finisher Rear

**Table 33:** Paper Handling Options – Staple Finisher Rear - Printed Circuit Boards >10cm<sup>2</sup> and Plastic with Brominated flame retardants

Item	Description
1	Sensor (slack)
2	Sensor (bin full)

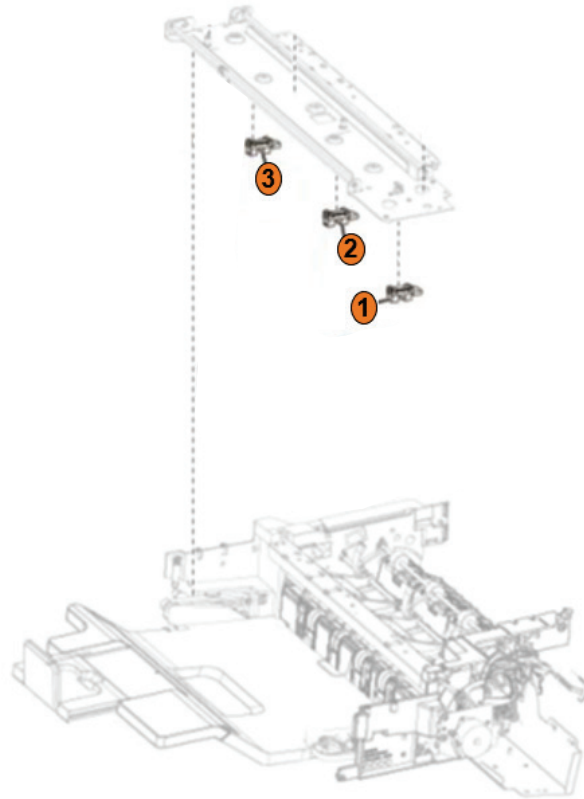
**Table Component Count** (*without options*)

LCD>100cm<sup>2</sup> = 0  
 PCBs>10cm<sup>2</sup> = 0  
 BFR Plastics = 0  
 Battery = 0



## Section 34: Paper Handling Options – Staple Finisher Tamper

- LCD > 100 cm<sup>2</sup>
- PCBs > 10 cm<sup>2</sup>
- Printer components containing Brominated flame retardants
- Battery



**Figure 34.1:** Paper Handling Options – Staple Finisher Tamper

**Table 34:** Paper Handling Options – Staple Finisher Tamper - Printed Circuit Boards >10cm<sup>2</sup> and Plastic with Brominated flame retardants

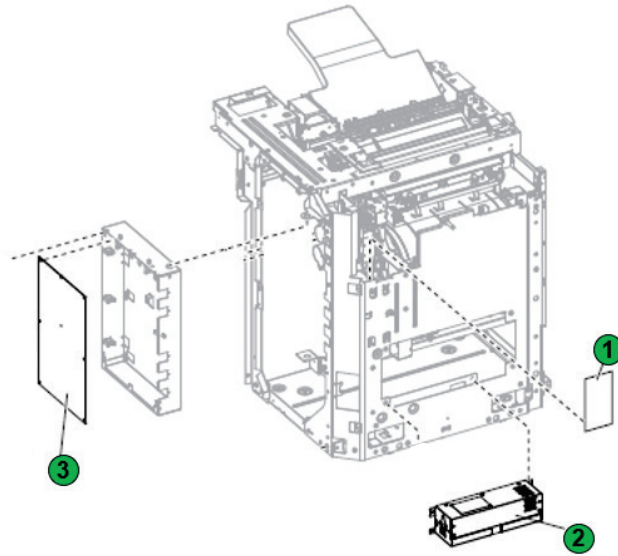
Item	Description
1	Sensor (rear)
2	Sensor (narrow media)
3	Sensor (front)

**Table Component Count** (*without options*)

LCD>100cm<sup>2</sup> = 0  
 PCBs>10cm<sup>2</sup> = 0  
 BFR Plastics = 0  
 Battery = 0

## Section 35: Paper Handling Options – MSHPF electronics

- LCD > 100 cm<sup>2</sup>
- PCBs > 10 cm<sup>2</sup>
- Printer components containing Brominated flame retardants
- Battery



**Figure 35.1:** Paper Handling Options – MSHPF electronics

**Table 35:** Paper Handling Options – MSHPF electronics - Printed Circuit Boards >10cm<sup>2</sup> and Plastic with Brominated flame retardants

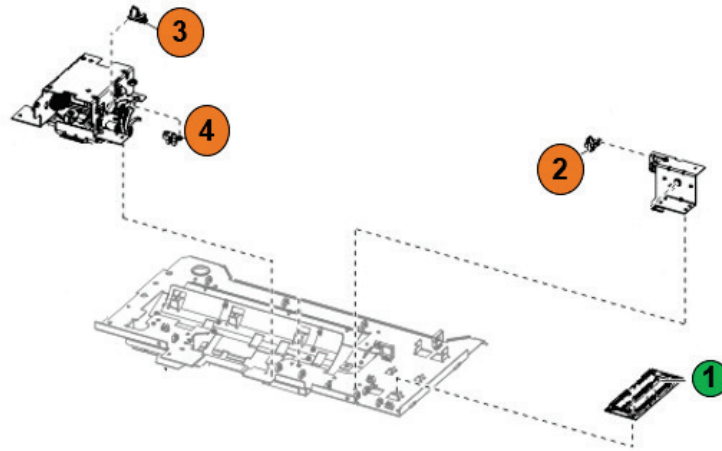
Item	Description
1	Mid-transport interface board
2	MSHPF power supply
3	MSHPF controller board

**Table Component Count** (*without options*)

LCD>100cm<sup>2</sup> = 0  
 PCBs>10cm<sup>2</sup> = 0  
 BFR Plastics = 0  
 Battery = 0

## Section 36: Paper Handling Options – MSHPF compiler

- LCD > 100 cm<sup>2</sup>
- PCBs > 10 cm<sup>2</sup>
- Printer components containing Brominated flame retardants
- Battery



**Figure 36.1** Paper Handling Options – MSHPF compiler

**Table 36:** Paper Handling Options – MSHPF compiler - Printed Circuit Boards >10cm<sup>2</sup> and Plastic with Brominated flame retardants

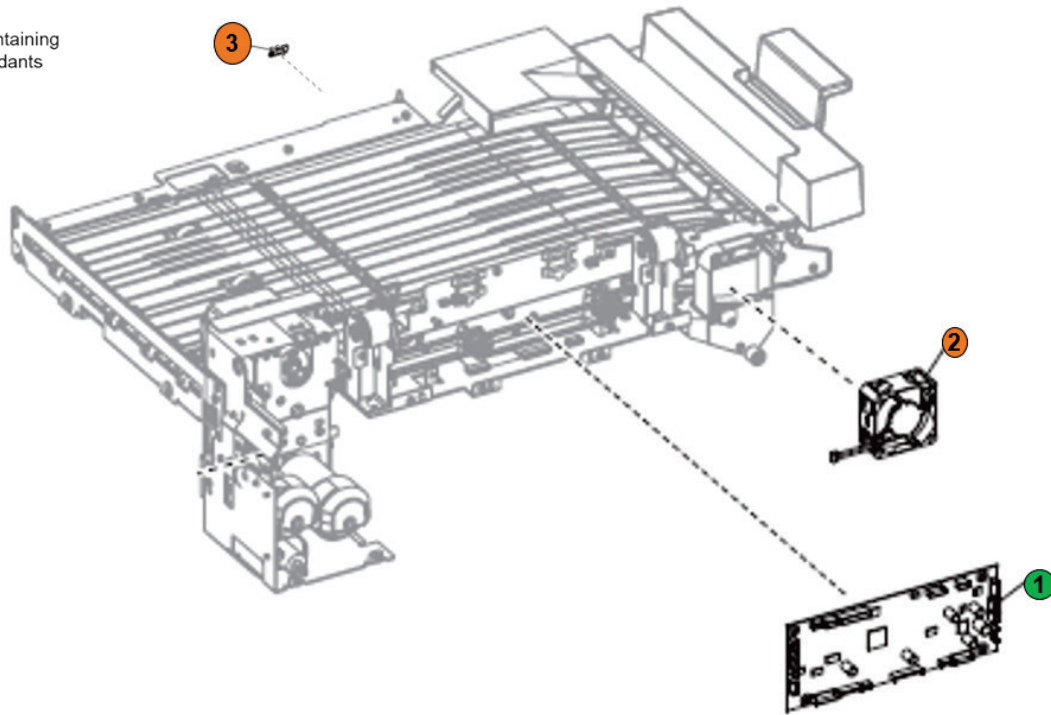
Item	Description
1	Compiler interface board
2	Sensor (stack height)
3	Sensor (exit cam)
4	Sensor (paddle)

**Table Component Count** (*without options*)

LCD>100cm<sup>2</sup> = 0  
 PCBs>10cm<sup>2</sup> = 0  
 BFR Plastics = 0  
 Battery = 0

## Section 37: Paper Handling Options – HPT electronics

- LCD > 100 cm<sup>2</sup>
- PCBs > 10 cm<sup>2</sup>
- Printer components containing Brominated flame retardants
- Battery



**Figure 37. Paper Handling Options – HPT electronics**

**Table 37:** Paper Handling Options – HPT electronics - Printed Circuit Boards >10cm<sup>2</sup> and Plastic with Brominated flame retardants

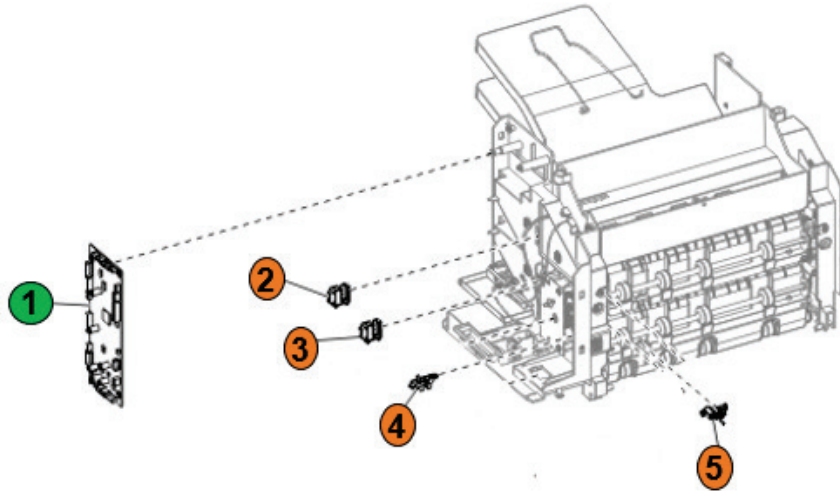
Item	Description
1	Fan
2	HPT controller board
3	Sensor (jam cover)

**Table Component Count** (*without options*)

LCD>100cm<sup>2</sup> = 0  
 PCBs>10cm<sup>2</sup> = 0  
 BFR Plastics = 0  
 Battery = 0

## Section 38: Paper Handling Options – Mailbox

- LCD > 100 cm<sup>2</sup>
- PCBs > 10 cm<sup>2</sup>
- Printer components containing Brominated flame retardants
- Battery



**Figure 38.1 Paper Handling Options – Mailbox**

**Table 38:** Paper Handling Options – Mailbox - Printed Circuit Boards >10cm<sup>2</sup> and Plastic with Brominated flame retardants

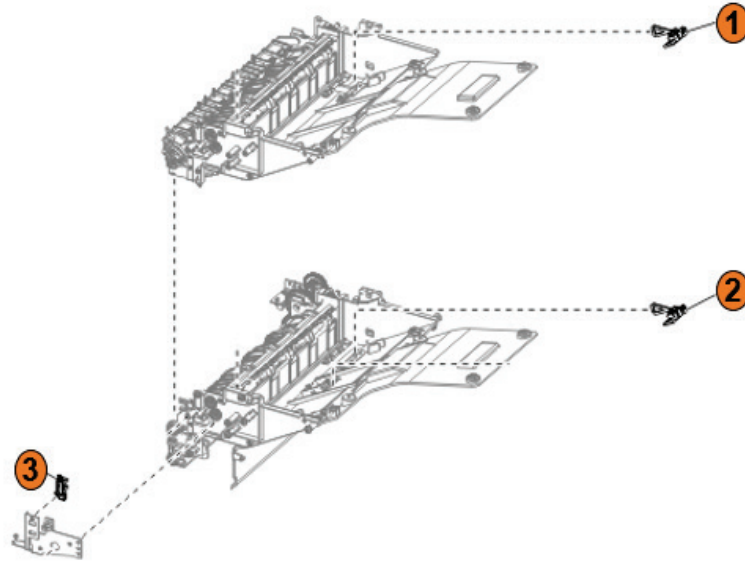
Item	Description
1	Mailbox controller board
2	Sensor (Jam door)
3	Sensor (bin 1 full)
4	Sensor (Bin 2 full)
5	Sensor (Transport)

**Table Component Count** (*without options*)

LCD>100cm<sup>2</sup> = 0  
 PCBs>10cm<sup>2</sup> = 0  
 BFR Plastics = 0  
 Battery = 0

## Section 39: Mailbox 4

- LCD > 100 cm<sup>2</sup>
- PCBs > 10 cm<sup>2</sup>
- Printer components containing Brominated flame retardants
- Battery



**Figure 39.1 Mailbox 4**

**Table 39:** Mailbox 4 - Printed Circuit Boards >10cm<sup>2</sup> and Plastic with Brominated flame retardants

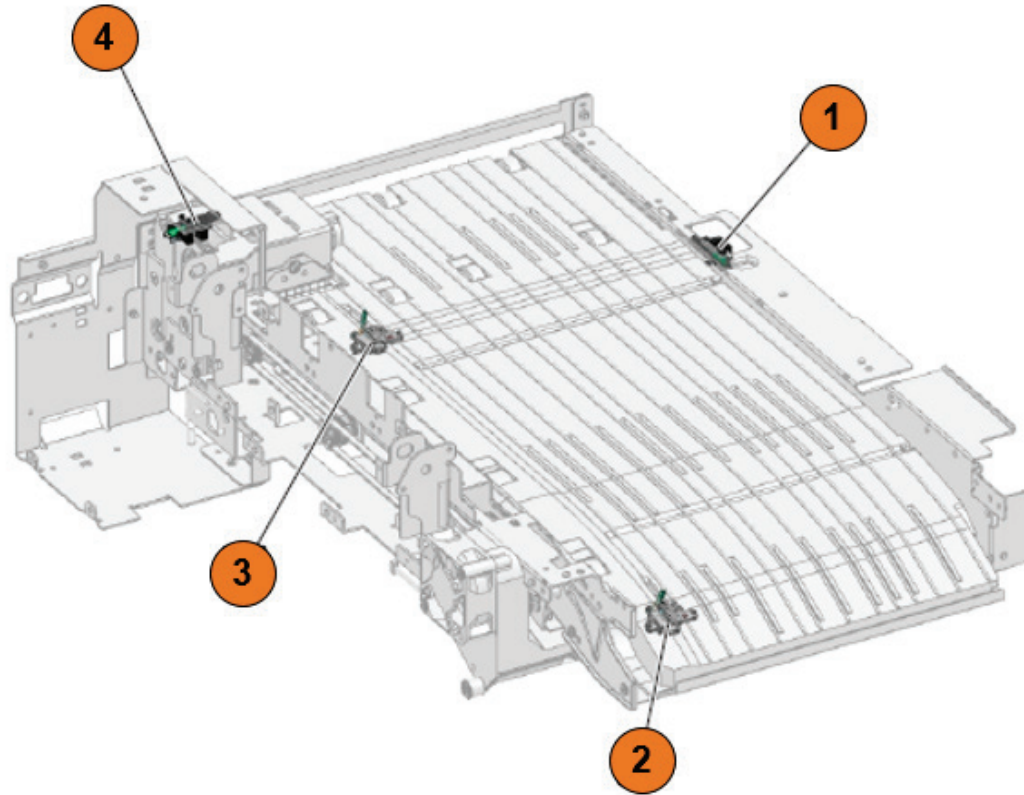
Item	Description
1	Sensor (paper present)
2	Sensor (Paper present)
3	Sensor (Diverter)

**Table Component Count** (*without options*)

LCD>100cm<sup>2</sup> = 0  
 PCBs>10cm<sup>2</sup> = 0  
 BFR Plastics = 0  
 Battery = 0

## Section 40: HPT Sensors

- LCD > 100 cm<sup>2</sup>
- PCBs > 10 cm<sup>2</sup>
- Printer components containing Brominated flame retardants
- Battery



**Figure 40.1 HPT Sensors**

**Table 40:** HPT Sensors - Printed Circuit Boards >10cm<sup>2</sup> and Plastic with Brominated flame retardants

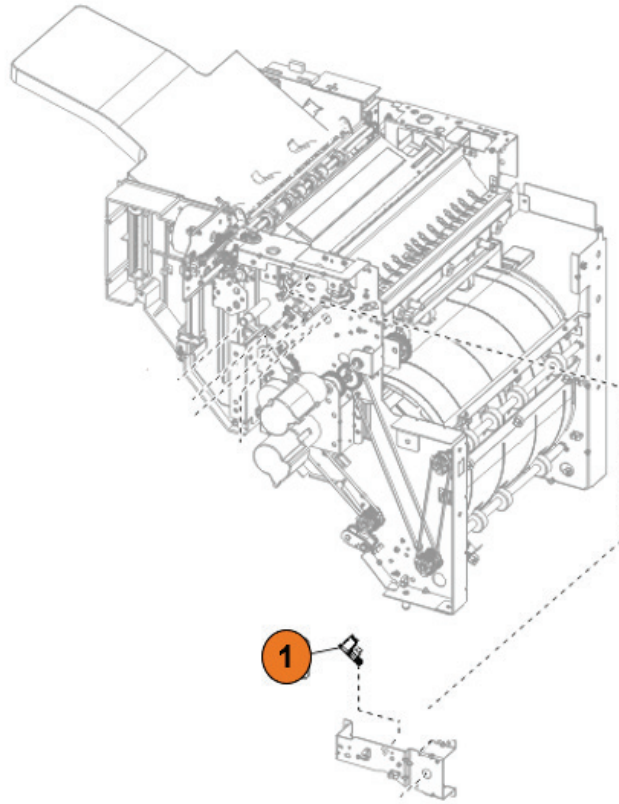
Item	Description
1	Sensor (jam cover)
2	Sensor (transport)
3	Sensor (entrance)
4	Sensor (HPT)

**Table Component Count** (*without options*)

LCD>100cm<sup>2</sup> = 0  
 PCBs>10cm<sup>2</sup> = 0  
 BFR Plastics = 0  
 Battery = 0

## Section 41: MSHPF mid transport drive

- LCD > 100 cm<sup>2</sup>
- PCBs > 10 cm<sup>2</sup>
- Printer components containing Brominated flame retardants
- Battery



**Figure 41.1 MSHPF mid-transport drive**

**Table 41:** MSHPF mid-transport drive - Printed Circuit Boards >10cm<sup>2</sup> and Plastic with Brominated flame retardants

Item	Description
1	Sensor (diverter)

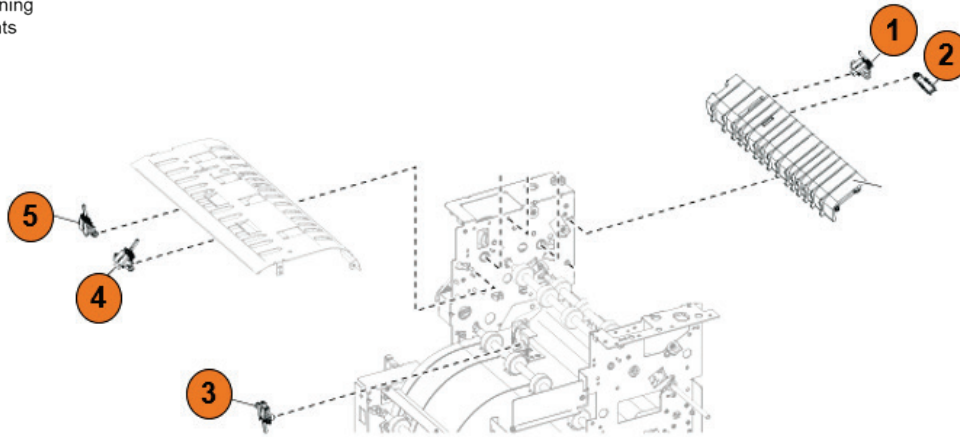
**Table Component Count** (*without options*)

LCD>100cm<sup>2</sup> = 0  
 PCBs>10cm<sup>2</sup> = 0  
 BFR Plastics = 0  
 Battery = 0



## Section 42: MSHPF mid transport paper path

- LCD > 100 cm<sup>2</sup>
- PCBs > 10 cm<sup>2</sup>
- Printer components containing Brominated flame retardants
- Battery



**Figure 42.1 MSHPF mid-transport paper path**

**Table 42:** MSHPF mid-transport paper path - Printed Circuit Boards >10cm<sup>2</sup> and Plastic with Brominated flame retardants

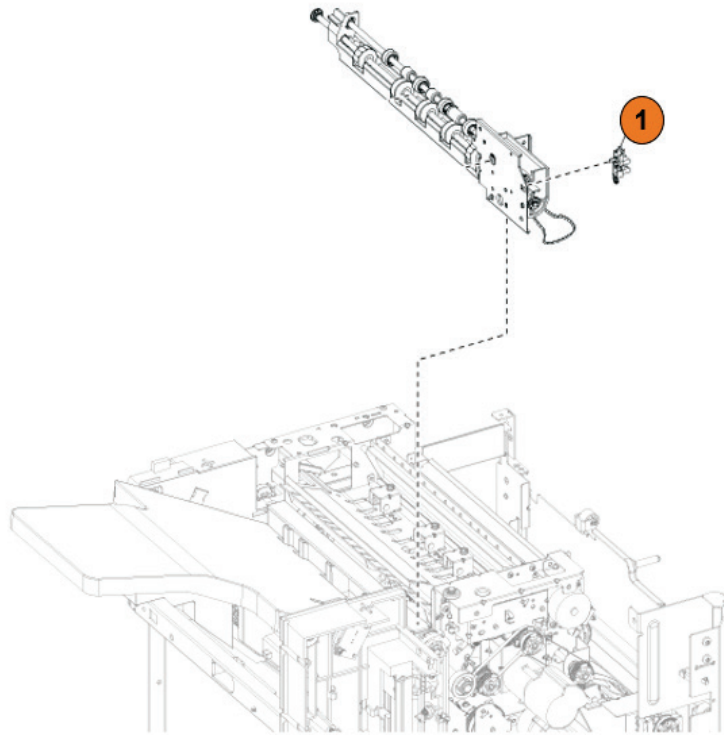
Item	Description
1	Sensor (exit)
2	Sensor (interlock)
3	Sensor (staging outer)
4	Sensor (staging entrance)
5	Sensor (mid-transport)

**Table Component Count** (*without options*)

LCD>100cm<sup>2</sup> = 0  
 PCBs>10cm<sup>2</sup> = 0  
 BFR Plastics = 0  
 Battery = 0

## Section 43: MSHPF offset drive

- LCD > 100 cm<sup>2</sup>
- PCBs > 10 cm<sup>2</sup>
- Printer components containing Brominated flame retardants
- Battery



**Figure 43.1 MSHPF offset drive**

**Table 43:** MSHPF offset drive - Printed Circuit Boards >10cm<sup>2</sup> and Plastic with Brominated flame retardants

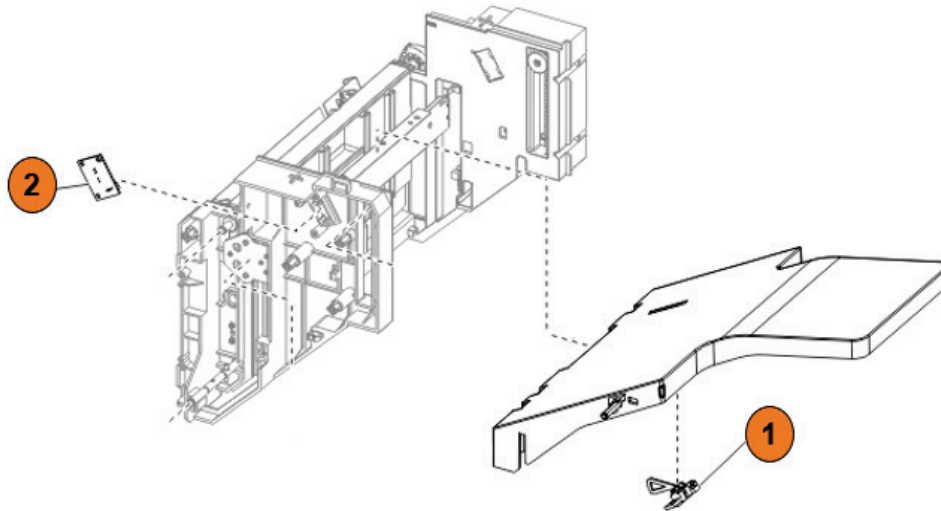
Item	Description
1	Sensor (offset roller)

**Table Component Count** (*without options*)

LCD>100cm<sup>2</sup> = 0  
 PCBs>10cm<sup>2</sup> = 0  
 BFR Plastics = 0  
 Battery = 0

## Section 44: MSHPF standard bin

- LCD > 100 cm<sup>2</sup>
- PCBs > 10 cm<sup>2</sup>
- Printer components containing Brominated flame retardants
- Battery



**Figure 44.1 MSHPF Standard bin**

**Table 44:** MSHPF standard bin - Printed Circuit Boards >10cm<sup>2</sup> and Plastic with Brominated flame retardants

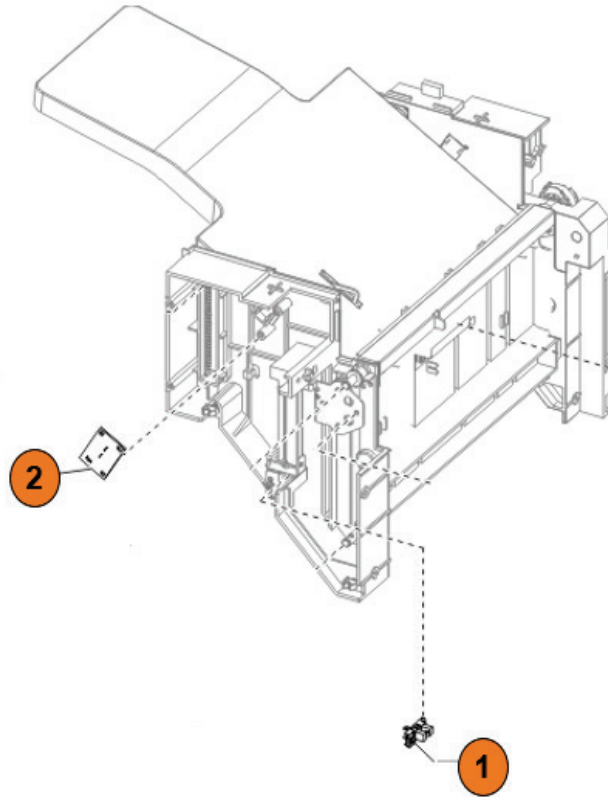
Item	Description
1	Sensor (Paper present)
2	Sensor (bin stack upper limit)

**Table Component Count** (*without options*)

LCD>100cm<sup>2</sup> = 0  
 PCBs>10cm<sup>2</sup> = 0  
 BFR Plastics = 0  
 Battery = 0

## Section 45: MSHPF standard bin 2

- LCD > 100 cm<sup>2</sup>
- PCBs > 10 cm<sup>2</sup>
- Printer components containing Brominated flame retardants
- Battery



**Figure 45.1 MSHPF Standard bin 2**

**Table 45:** MSHPF standard bin 2 - Printed Circuit Boards >10cm<sup>2</sup> and Plastic with Brominated flame retardants

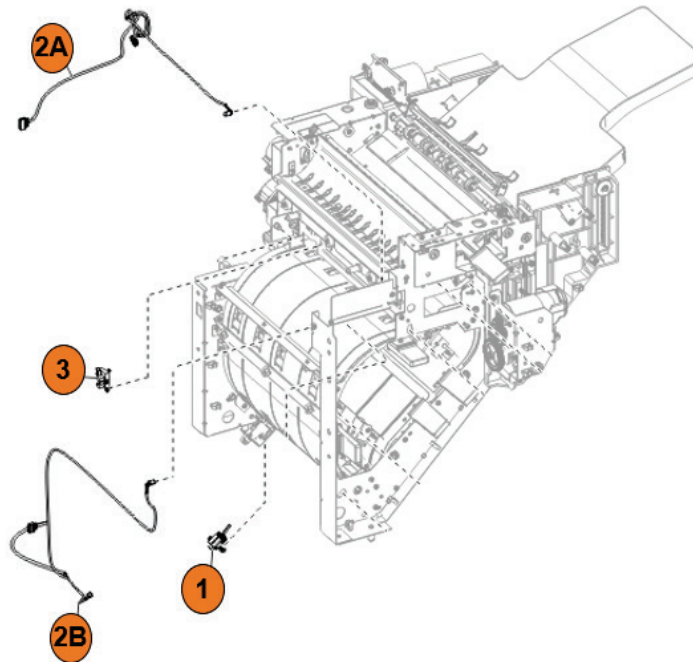
Item	Description
1	Sensor (lower limit)
2	Sensor (bin stack upper limit receiver)

**Table Component Count** (*without options*)

LCD>100cm<sup>2</sup> = 0  
 PCBs>10cm<sup>2</sup> = 0  
 BFR Plastics = 0  
 Battery = 0

## Section 46: MSHPF transport roller and hole punch box

- LCD > 100 cm<sup>2</sup>
- PCBs > 10 cm<sup>2</sup>
- Printer components containing Brominated flame retardants
- Battery



**Figure 46.1** MSHPF transport roller and hole punch box

**Table 46:** MSHPF transport roller and hole punch box - Printed Circuit Boards >10cm<sup>2</sup> and Plastic with Brominated flame retardants

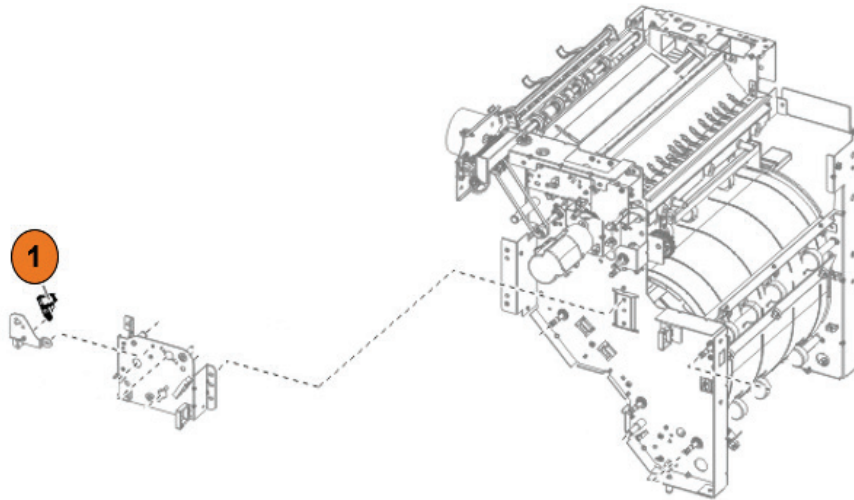
Item	Description
1	Sensor (Staging outer transport 2)
2A	Sensor (hole punch box full)
2B	Sensor (hole punch box full)
3	Sensor (hole punch box present)

**Table Component Count** (*without options*)

LCD>100cm<sup>2</sup> = 0  
 PCBs>10cm<sup>2</sup> = 0  
 BFR Plastics = 0  
 Battery = 0

## Section 47: MSHPF staging drive

- LCD > 100 cm<sup>2</sup>
- PCBs > 10 cm<sup>2</sup>
- Printer components containing Brominated flame retardants
- Battery



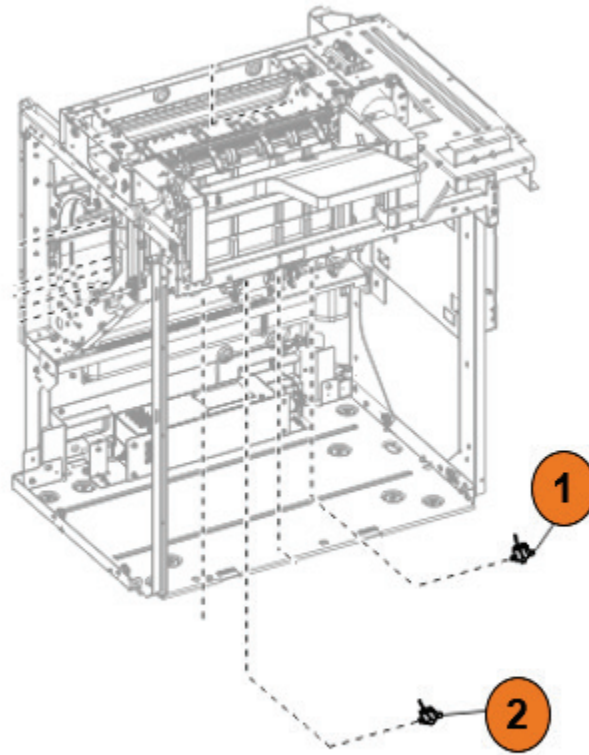
**Figure 47.1 MSHPF staging drive**

**Table 47:** MSHPF staging drive - Printed Circuit Boards >10cm<sup>2</sup> and Plastic with Brominated flame retardants

Item	Description
<b>1</b>	Sensor (diverter)
<b>Table Component Count (without options)</b>	
LCD>100cm <sup>2</sup>	= 0
PCBs>10cm <sup>2</sup>	= 0
BFR Plastics	= 0
Battery	= 0

## Section 48: MSHPF staging paper path

- LCD > 100 cm<sup>2</sup>
- PCBs > 10 cm<sup>2</sup>
- Printer components containing Brominated flame retardants
- Battery



**Figure 48.1 MSHPF Staging paper path**

**Table 48:** MSHPF Staging paper path - Printed Circuit Boards >10cm<sup>2</sup> and Plastic with Brominated flame retardants

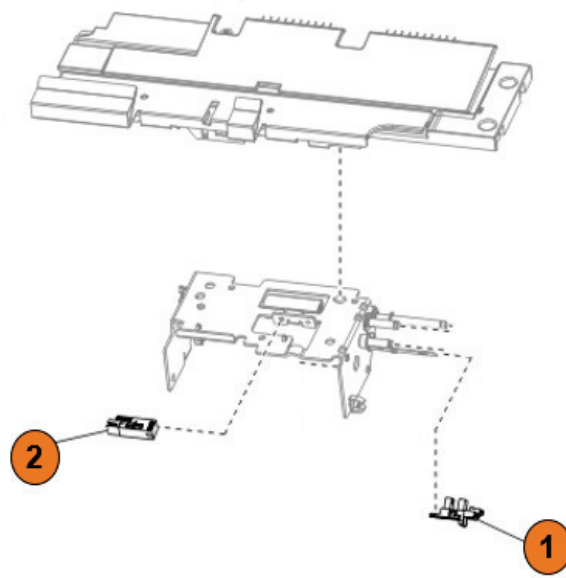
Item	Description
<b>1</b>	Sensor (staging inner transport 1)
<b>2</b>	Sensor (staging inner transport 2)

**Table Component Count** (*without options*)

LCD>100cm<sup>2</sup> = 0  
 PCBs>10cm<sup>2</sup> = 0  
 BFR Plastics = 0  
 Battery = 0

## Section 49 MSHPF compiler 2

- LCD > 100 cm<sup>2</sup>
- PCBs > 10 cm<sup>2</sup>
- Printer components containing Brominated flame retardants
- Battery



**Figure 49.1 MSHPF Compiler 2**

**Table 49:** MSHPF standard bin 2 - Printed Circuit Boards >10cm<sup>2</sup> and Plastic with Brominated flame retardants

Item	Description
1	Sensor (bin clamp)
2	Sensor (paper present)

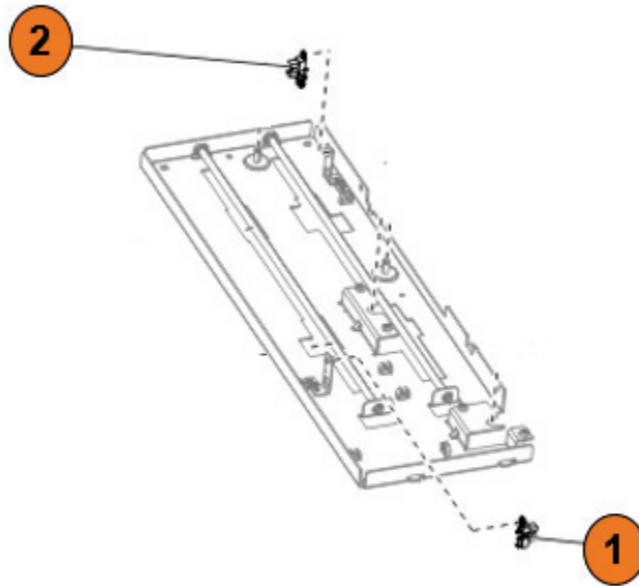
**Table Component Count (without options)**

LCD>100cm<sup>2</sup> = 0  
 PCBs>10cm<sup>2</sup> = 0  
 BFR Plastics = 0  
 Battery = 0



## Section 50: MSHPF Tamper

- LCD > 100 cm<sup>2</sup>
- PCBs > 10 cm<sup>2</sup>
- Printer components containing Brominated flame retardants
- Battery



**Figure 50.1 MSHPF Tamper**

**Table 50:** MSHPF Tamper - Printed Circuit Boards >10cm<sup>2</sup> and Plastic with Brominated flame retardants

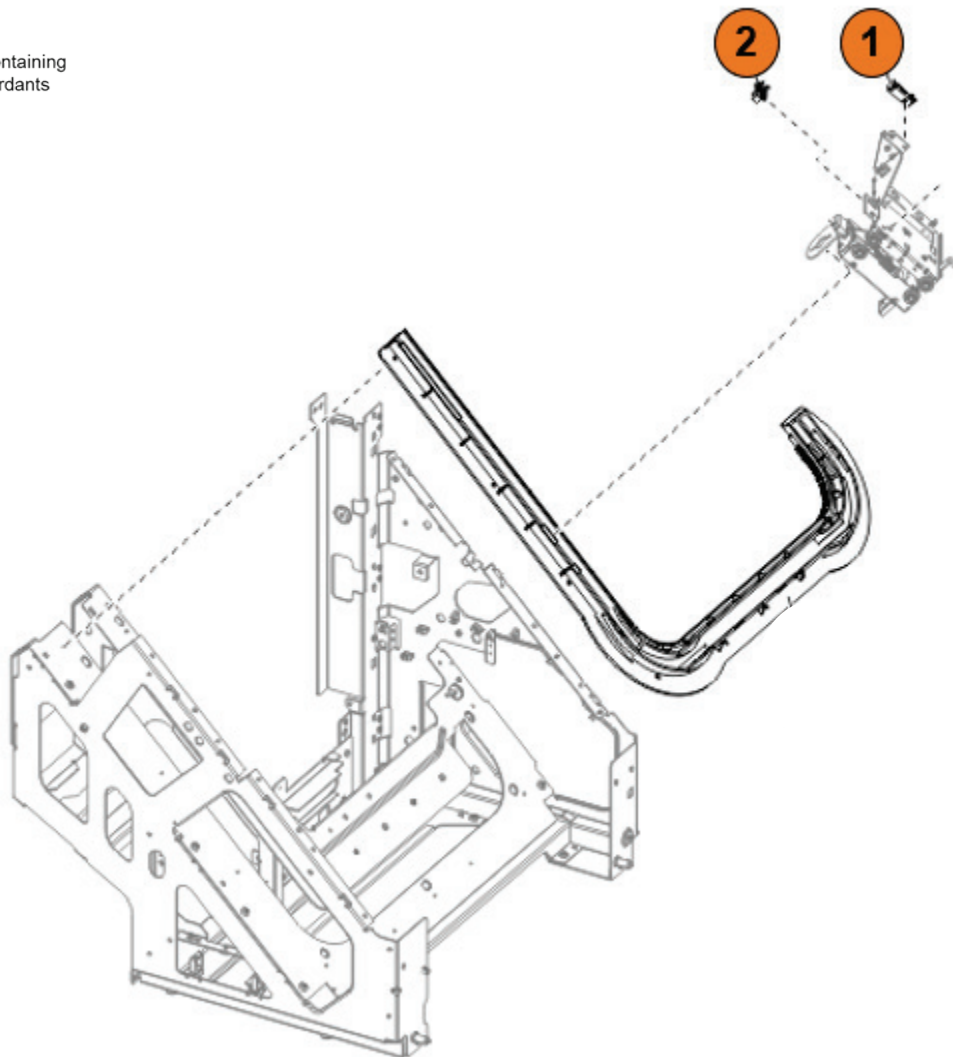
Item	Description
1	Sensor (Rear tamper)
2	Sensor (Front tamper)

**Table Component Count** (*without options*)

LCD>100cm<sup>2</sup> = 0  
 PCBs>10cm<sup>2</sup> = 0  
 BFR Plastics = 0  
 Battery = 0

## Section 51: MSHPF carriage transport

- LCD > 100 cm<sup>2</sup>
- PCBs > 10 cm<sup>2</sup>
- Printer components containing Brominated flame retardants
- Battery



**Figure 51.1 MSHPF carriage transport**

**Table 51:** MSHPF carriage transport - Printed Circuit Boards >10cm<sup>2</sup> and Plastic with Brominated flame retardants

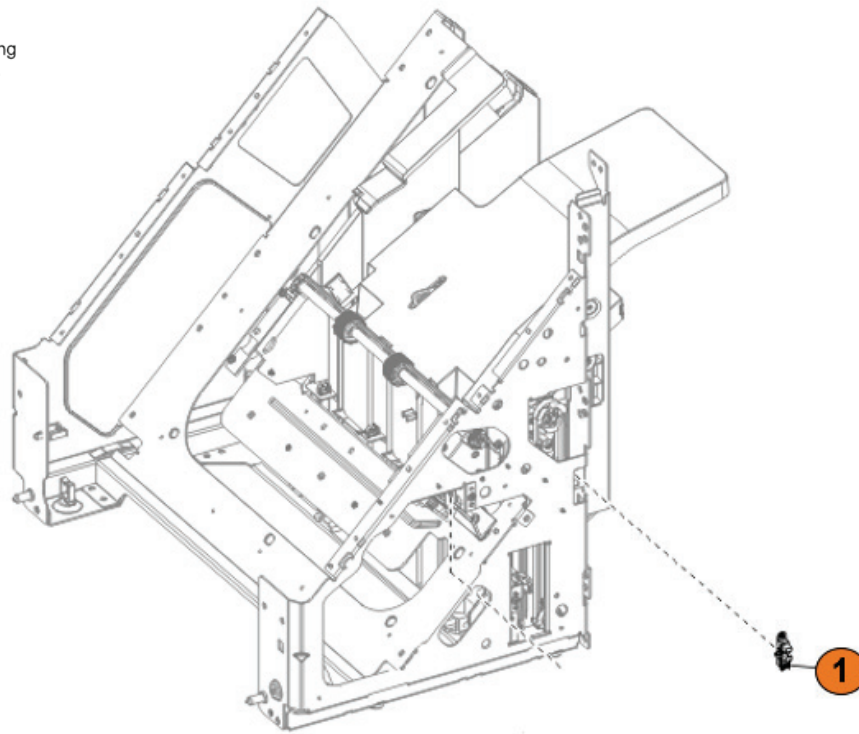
Item	Description
1	Sensor (paper present)
2	Sensor (unit position)

**Table Component Count** (*without options*)

LCD>100cm<sup>2</sup> = 0  
 PCBs>10cm<sup>2</sup> = 0  
 BFR Plastics = 0  
 Battery = 0

## Section 52: MSHPF Door interlock

- LCD > 100 cm<sup>2</sup>
- PCBs > 10 cm<sup>2</sup>
- Printer components containing Brominated flame retardants
- Battery



**Figure 52.1** Door interlock

**Table 52:** MSHPF Door interlock - Printed Circuit Boards >10cm<sup>2</sup> and Plastic with Brominated flame retardants

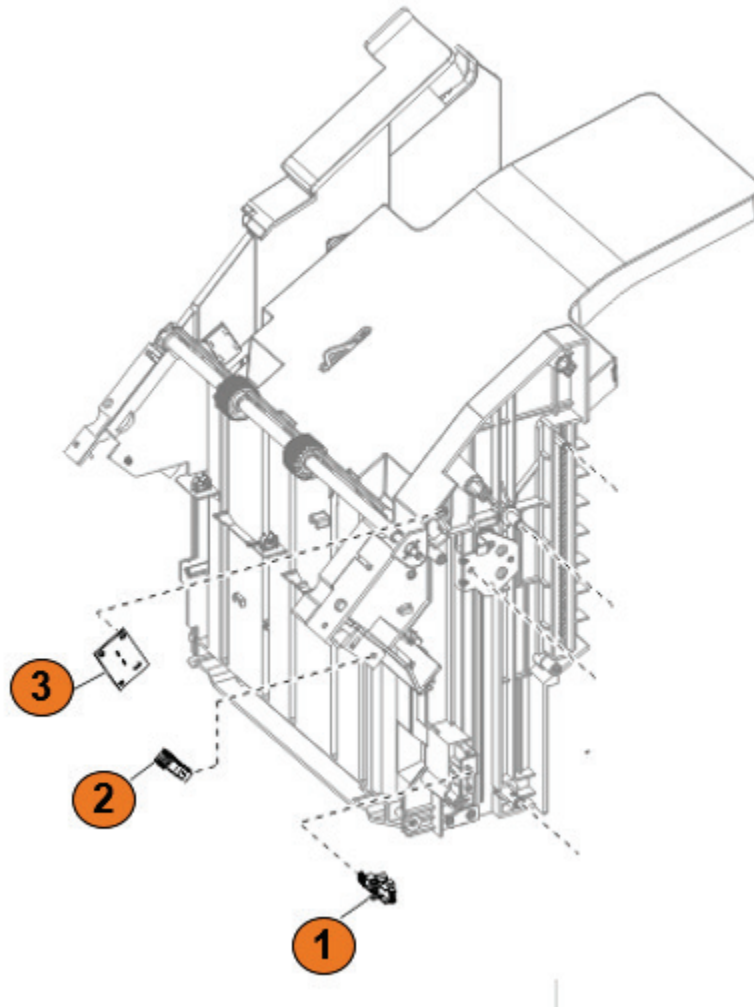
Item	Description
1	Sensor (door interlock)

**Table Component Count** (*without options*)

LCD>100cm<sup>2</sup> = 0  
 PCBs>10cm<sup>2</sup> = 0  
 BFR Plastics = 0  
 Battery = 0

## Section 53: MSHPF stapler bin 1

- LCD > 100 cm<sup>2</sup>
- PCBs > 10 cm<sup>2</sup>
- Printer components containing Brominated flame retardants
- Battery



**Figure 53.1 MSHPF stapler bin 1**

**Table 53:** MSHPF stapler bin 1 - Printed Circuit Boards >10cm<sup>2</sup> and Plastic with Brominated flame retardants

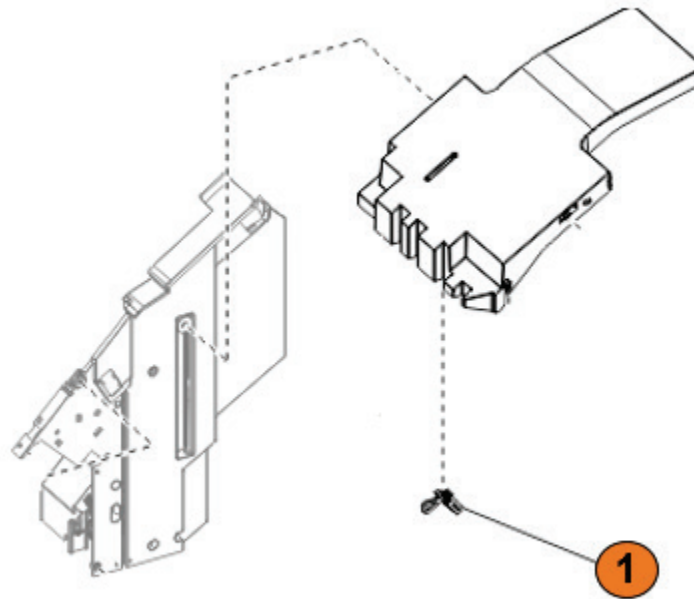
Item	Description
1	Sensor (lower limit)
2	Sensor (loading position)
3	Sensor (upper limit)

**Table Component Count** (*without options*)

LCD>100cm<sup>2</sup> = 0  
 PCBs>10cm<sup>2</sup> = 0  
 BFR Plastics = 0  
 Battery = 0

## Section 54: MSHPF stapler bin 2

- LCD > 100 cm<sup>2</sup>
- PCBs > 10 cm<sup>2</sup>
- Printer components containing Brominated flame retardants
- Battery

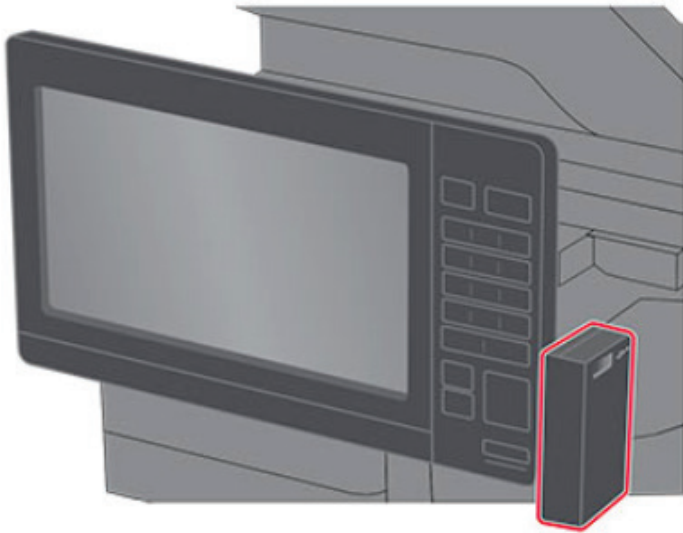


**Figure 54.1 MSHPF stapler bin 2**

**Table 54:** MSHPF stapler bin 2 - Printed Circuit Boards >10cm<sup>2</sup> and Plastic with Brominated flame retardants

Item	Description
<b>1</b>	Sensor (paper present)
<b>Table Component Count (without options)</b>	
LCD>100cm <sup>2</sup>	= 0
PCBs>10cm <sup>2</sup>	= 0
BFR Plastics	= 0
Battery	= 0

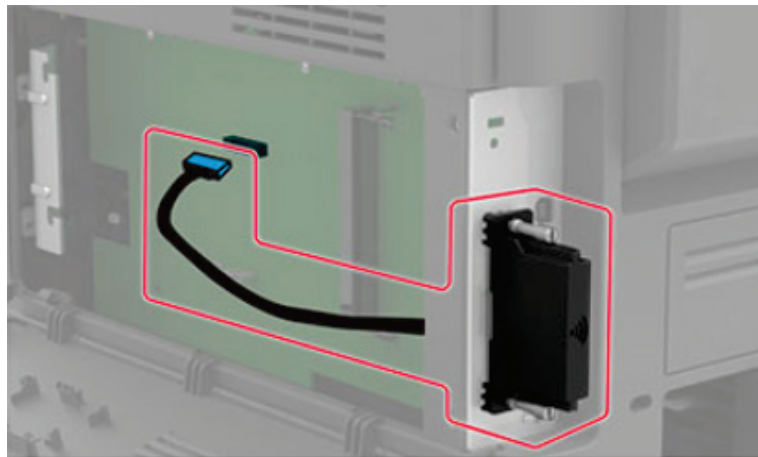
**Section 55: For Reference Only (Customer Replaceable External Card Options)**



**Authentication card readers<sup>1</sup>**



**Keyboard<sup>1</sup>**



**External Print Servers<sup>2</sup>**

**Note 1:** Illustration shows actual options and their typical locations and mounting at the front side of the printer. However, this does not show the actual printer model.

**Note 2:** Illustration shows actual options and their typical locations and mounting at the rear side of the printer. However, this does not show the actual printer model.

## Annex A – Printer components with Brominated<sup>S</sup> Flame Retardants

Item	Description	Parts Marking	Qty	CS82x	CX82x	CX86x	Location
1	Sensor (ADF multifeed receiver)	N/A	1		X	X	<a href="#">Imaging ADF</a>
2	Sensor (ADF multifeed transmitter)	N/A	1		X	X	<a href="#">ADF 5</a>
3	Sensor (ADF gap detect/ ADF detect)	N/A	2		X	X	<a href="#">ADF 5</a>
4	Sensor (ADF closed)	N/A	1		X	X	<a href="#">ADF 6</a>
5	Sensor (ADF media exit)	N/A	1		X	X	<a href="#">ADF 6</a>
6	Sensor (Exit)	N/A	1		X	X	<a href="#">ADF 6</a>
7	Sensor (ADF pick)	N/A	1		X	X	<a href="#">ADF 6</a>
8	Sensor (ADF 2nd scan)	N/A	1		X	X	<a href="#">ADF 6</a>
9	Sensor (ADF 1st scan)	N/A	1		X	X	<a href="#">ADF 6</a>
10	Sensor (ADF bottom door interlock)	N/A	1		X	X	<a href="#">ADF 6</a>
11	Sensor (ADF top door interlock)	N/A	1		X	X	<a href="#">ADF 6</a>
12	Sensor (Bin full)	N/A	1		X	X	<a href="#">Covers</a>
13	Sensor (Duplex path 1)	N/A	1	X	X	X	<a href="#">Duplex</a>
14	Sensor (Duplex path 2)	N/A	1	X	X	X	<a href="#">Duplex</a>
15	Sensor (pass through)	N/A	1	X	X	X	<a href="#">Left door</a>
16	Sensor (paper present)	N/A	1	X	X	X	<a href="#">Left door</a>
17	Sensor (media out)	N/A	1	X	X	X	<a href="#">Feeder</a>
18	Sensor (index)	N/A	1	X	X	X	<a href="#">Feeder</a>
19	Sensor (media low)	N/A	1	X	X	X	<a href="#">Feeder</a>
20	Sensor (media size)	N/A	1	X	X	X	<a href="#">Feeder</a>
21	21K1216 - Flag	PET-(GF+MD)40 FR(17)	1	X	X	X	<a href="#">Fuser</a>
22	21K1245 - Guide Exit BUR Side	PET-(GF+MD)40 FR(17)	1	X	X	X	<a href="#">Fuser</a>
23	21K1383 - Guide Exit Belt Side	PET-(GF+MD)40 FR(17)	1	X	X	X	<a href="#">Fuser</a>
24	21K1246 - Entry Fuser	PET-(GF+MD)40 FR(17)	1	X	X	X	<a href="#">Fuser</a>
25	Sensor (Photo)	N/A	1	X	X	X	<a href="#">Fuser</a>
26	Sensor (temperature)	N/A	1	X	X	X	<a href="#">Fuser</a>
27	Sensor (fuser temperature)	N/A	1	X	X	X	<a href="#">Fuser</a>
28	HVPS fan	N/A	1	X	X	X	<a href="#">Electronics front</a>
29	Sensor (waste toner bottle present)	N/A	1	X	X	X	<a href="#">Electronics front</a>
30	Sensor (Door interlock)	N/A	1	X	X	X	<a href="#">Electronics front</a>

31	Printhead fan	N/A	1	X	X	X	<a href="#">Electronics front</a>
32	Main fan	N/A	1	X	X	X	<a href="#">Electronics rear</a>
33	Controller board fan	N/A	1	X	X	X	<a href="#">Electronics rear</a>
34	Sensor (weather station)	N/A	1	X	X	X	<a href="#">Electronics rear</a>
35	Sensor (Input)	N/A	1	X	X	X	<a href="#">Registration</a>
36	Sensor (Aperture)	N/A	1	X	X	X	<a href="#">Registration</a>
37	Sensor (Deskew roller exit)	N/A	1	X	X	X	<a href="#">Registration</a>
38	Sensor (Deskew roller entry)	N/A	1	X	X	X	<a href="#">Registration</a>
39	Sensor (Narrow media)	N/A	1	X	X	X	<a href="#">Registration</a>
40	Sensor (Near narrow media)	N/A	1	X	X	X	<a href="#">Registration</a>
41	Sensor (photo)	N/A	1	X	X	X	<a href="#">Registration</a>
42	Sensor (waste toner full)	N/A	1	X	X	X	<a href="#">Motors</a>
43	Printhead tape	N/A	1	X	X	X	<a href="#">Printhead</a>
44	Sensor (Photo)	N/A	1	X	X	X	<a href="#">Redrive</a>
45	Sensor (TPS)	N/A	1	X	X	X	<a href="#">Transfer front</a>
46	Sensor (Auto alignment) 2x	N/A	2	X	X	X	<a href="#">Transfer front</a>
47	Sensor (drive roll)	N/A	1	X	X	X	<a href="#">Transfer front</a>
48	Sensor (media out)	N/A	1	Optional	Optional	Optional	<a href="#">Paper handling</a>
49	Sensor (media size)	N/A	1	Optional	Optional	Optional	<a href="#">Paper handling</a>
50	Sensor (media low)	N/A	1	Optional	Optional	Optional	<a href="#">Paper handling</a>
51	Sensor (index)	N/A	1	Optional	Optional	Optional	<a href="#">Paper handling</a>



52	Sensor (Jam door)	N/A	1	Optional	Optional	Optional	<a href="#">Paper handling</a>
53	Sensor (Passthrough)	N/A	1	Optional	Optional	Optional	<a href="#">Paper handling</a>
54	Sensor (Wake up)	N/A	1	Optional	Optional	Optional	<a href="#">Paper handling</a>
55	Sensor (media low)	N/A	1	Optional	Optional	Optional	<a href="#">2200 Sheet tray</a>
56	Sensor (index)	N/A	1	Optional	Optional	Optional	<a href="#">2200 Sheet tray</a>
57	Sensor (media out)	N/A	1	Optional	Optional	Optional	<a href="#">2200 Sheet tray</a>
58	Sensor (media size)	N/A	1	Optional	Optional	Optional	<a href="#">2200 Sheet tray</a>
59	Sensor (aligner)	N/A	1	Optional	Optional	Optional	<a href="#">Staple finisher front</a>
60	Sensor (exit)	N/A	1	Optional	Optional	Optional	<a href="#">Staple finisher front</a>
61	Sensor (lower bin full)	N/A	1	Optional	Optional	Optional	<a href="#">Staple finisher front</a>
62	Sensor (upper bin full)	N/A	1	Optional	Optional	Optional	<a href="#">Staple finisher front</a>
63	Sensor (Bin full)	N/A	1	Optional	Optional	Optional	<a href="#">Staple finisher Electrical</a>
64	Sensor (slack)	N/A	1	Optional	Optional	Optional	<a href="#">Staple finisher Rear</a>
65	Sensor (bin full)	N/A	1	Optional	Optional	Optional	<a href="#">Staple finisher Rear</a>
66	Sensor (rear)	N/A	1	Optional	Optional	Optional	<a href="#">Staple finisher Tamper</a>
67	Sensor (narrow media)	N/A	1	Optional	Optional	Optional	<a href="#">Staple finisher Tamper</a>
68	Sensor (front)	N/A	1	Optional	Optional	Optional	<a href="#">Staple finisher Tamper</a>
69	Fan	N/A	1		Optional	Optional	<a href="#">HPT Electronics</a>
70	Sensor (Jam cover)	N/A	1		Optional	Optional	<a href="#">HPT Electronics</a>
71	Sensor (stack height)	N/A	1		Optional	Optional	<a href="#">MSHPP Complier</a>
72	Sensor (exit cam)	N/A	1		Optional	Optional	<a href="#">MSHPP Complier</a>

73	Sensor (paddle)	N/A	1		Optional	Optional	<a href="#">MSHPP Complier</a>
74	Sensor (Jam door)	N/A	1		Optional	Optional	<a href="#">Mailbox</a>
75	Sensor (bin 1 full)	N/A	1		Optional	Optional	<a href="#">Mailbox</a>
76	Sensor (Bin 2 full)	N/A	1		Optional	Optional	<a href="#">Mailbox</a>
77	Sensor (Transport)	N/A	1		Optional	Optional	<a href="#">Mailbox</a>
78	Sensor (paper present)	N/A	1		Optional	Optional	<a href="#">Mailbox 4</a>
79	Sensor (paper present)	N/A	1		Optional	Optional	<a href="#">MSHPP Sensors</a>
80	Sensor (Diverter)	N/A	1		Optional	Optional	<a href="#">MSHPP Sensors</a>
81	Sensor (jam cover)	N/A	1		Optional	Optional	<a href="#">HPT Sensors</a>
82	Sensor (transport)	N/A	1		Optional	Optional	<a href="#">HPT Sensors</a>
83	Sensor (entrance)	N/A	1		Optional	Optional	<a href="#">HPT Sensors</a>
84	Sensor (HPT)	N/A	1		Optional	Optional	<a href="#">HPT Sensors</a>
85	Sensor (Diverter)	N/A	1		Optional	Optional	<a href="#">MSHPP mid transport drive</a>
86	Sensor (exit)	N/A	1		Optional	Optional	<a href="#">MSHPP mid-transport paper path</a>
87	Sensor (interlock)	N/A	1		Optional	Optional	<a href="#">MSHPP mid-transport paper path</a>
88	Sensor (staging outer)	N/A	1		Optional	Optional	<a href="#">MSHPP mid-transport paper path</a>
89	Sensor (staging entrance)	N/A	1		Optional	Optional	<a href="#">MSHPP mid-transport paper path</a>
90	Sensor (mid-transport)	N/A	1		Optional	Optional	<a href="#">MSHPP mid-transport paper path</a>
91	Sensor (offset roller)	N/A	1		Optional	Optional	<a href="#">Offset drive</a>
92	Sensor (Paper present)	N/A	1		Optional	Optional	<a href="#">MSHPP Standard bin</a>
93	Sensor (bin stack upper limit)	N/A	1		Optional	Optional	<a href="#">MSHPP Standard bin</a>

94	Sensor (lower limit)	N/A	1		Optional	Optional	<a href="#">MSHPP Standard bin 2</a>
95	Sensor (bin stack upper limit receiver)	N/A	1		Optional	Optional	<a href="#">MSHPP Standard bin 2</a>
96	Sensor (Staging outer transport 2)	N/A	1		Optional	Optional	<a href="#">MSHPP transport roller and hole punch box</a>
97	Sensor (hole punch box full)	N/A	2		Optional	Optional	<a href="#">MSHPP transport roller and hole punch box</a>
98	Sensor (hole punch box present)	N/A	1		Optional	Optional	<a href="#">MSHPP transport roller and hole punch box</a>
99	Sensor (diverter)	N/A	1		Optional	Optional	<a href="#">MSHPP Staging drive</a>
100	Sensor (staging inner transport 1)	N/A	1		Optional	Optional	<a href="#">MSHPP Staging paper path</a>
101	Sensor (staging inner transport 2)	N/A	1		Optional	Optional	<a href="#">MSHPP Staging paper path</a>
102	Sensor (bin clamp)	N/A	1		Optional	Optional	<a href="#">MSHPP Compiler 2</a>
103	Sensor (paper present)	N/A	1		Optional	Optional	<a href="#">MSHPP Compiler 2</a>
104	Sensor (Rear tamper)	N/A	1		Optional	Optional	<a href="#">MSHPP Tamper</a>
105	Sensor (front tamper)	N/A	1		Optional	Optional	<a href="#">MSHPP Tamper</a>
106	Sensor (paper present)	N/A	1		Optional	Optional	<a href="#">MSHPP Carriage transport</a>
107	Sensor (unit position)	N/A	1		Optional	Optional	<a href="#">MSHPP Carriage transport</a>
108	Sensor (door interlock)	N/A	1		Optional	Optional	<a href="#">MSHPP Door interlock</a>
109	Sensor (lower limit)	N/A	1		Optional	Optional	<a href="#">MSHPP Stapler bin 1</a>
110	Sensor (loading position)	N/A	1		Optional	Optional	<a href="#">MSHPP Stapler bin 1</a>
111	Sensor (upper limit)	N/A	1		Optional	Optional	<a href="#">MSHPP Stapler bin 1</a>
112	Sensor (paper present)	N/A	1		Optional	Optional	<a href="#">MSHPP Stapler bin 2</a>
<b>Minimum Count (without options) =</b>			<b>49</b>				

## Annex B – Printed Circuit Boards >10cm<sup>2</sup>

Item	Description	Qty	CS820	CX82x	CX860	Location
1A	10 in. Button control panel	1			X	<a href="#">Control panel</a>
1B	7 in. Button control panel	1		X		<a href="#">Control panel</a>
1C	4.3 in Button Control panel	1	X			<a href="#">Control panel</a>
2	CCDM, ADF	1		X	X	<a href="#">Imaging ADF</a>
3	ADF Controller board	1		X	X	<a href="#">Imaging ADF</a>
4	Flatbed scanner board	1		X	X	<a href="#">Flatbed scanner 2</a>
5	CCDM, flatbed board	1		X	X	<a href="#">Flatbed scanner 3</a>
6	Fuser PCBA	1		X	X	<a href="#">Fuser</a>
7	Main HVPS	1	X	X	X	<a href="#">Electronics front</a>
8	LVPS	1	X	X	X	<a href="#">Electronics rear</a>
9	Controller board	1	X	X	X	<a href="#">Electronics rear</a>
10	Charge roller HVPS	1	X	X	X	<a href="#">Electronics rear</a>
11	Hard drive	1	Optional	X	X	<a href="#">Electronics rear</a>
12	Fax card	1		X	X	<a href="#">Electronics rear</a>
13	EP developer toner gearbox 1	1	X	X	X	<a href="#">Motors</a>
14	EP developer toner gearbox 2	1	X	X	X	<a href="#">Motors</a>
15	EP developer toner gearbox 3	1	X	X	X	<a href="#">Motors</a>
16	EP developer toner gearbox 4	1	X	X	X	<a href="#">Motors</a>
17	Fuser/ transferbelt gearbox 1	1	X	X	X	<a href="#">Motors</a>
18	Fuser/ transferbelt gearbox 2	1	X	X	X	<a href="#">Motors</a>
19	Hsync card	1	X	X	X	<a href="#">Printhead</a>
20	LD card	1	X	X	X	<a href="#">Printhead</a>
21	Smart chip interface board	1	X	X	X	<a href="#">Toner Supply</a>
22	550-sheet tray controller board	1	Optional	Optional	Optional	<a href="#">Paper handling</a>
23	550-sheet tray controller board	1	Optional	Optional	Optional	<a href="#">2000 Sheet</a>
24	Finisher controller board	1		Optional	Optional	<a href="#">MSHPF electronics</a>
25	Mid-transport interface board	1		Optional	Optional	<a href="#">MSHPF electronics</a>
26	MSHPF power supply	1		Optional	Optional	<a href="#">MSHPF electronics</a>
27	MSHPF controller board	1		Optional	Optional	<a href="#">MSHPF electronics</a>

28	Compiler interface board	1		Optional	Optional	<a href="#">MSHPF compiler</a>
29	HPT controller board	1		Optional	Optional	<a href="#">HPT electronics</a>
30	Mailbox controller board	1		Optional	Optional	<a href="#">Mailbox</a>
<b>Minimum Count (without Options)</b>		<b>23</b>				

**Annex C** – Electrical and Electronic (EE) Customer Replaceable Paper handling devices

Item	PN	Description	CS82x	CX82x	CX86x	Locations
1	21K0567	550-Sheet Tray	X	X	X	Paper handling devices
2	21K0787	Envelope Tray	X	X	X	Stapler option
3	21K0237	2200-Sheet Tray	X	X	X	2200 Sheet
4	42K2000	CS/CX820 Staple Finisher	X	X	X	Staple finisher
5	42K2300	CX825/CX860 Staple Finisher		X	X	Staple finisher

**Annex D** – Electrical and Electronic (EE) Customer Replaceable Internal/ External Card Options

Item	PN	Description	CS82x	CX82x	CX86x	Locations
1	27X0400	320+GB Hard Disk Drive	X	X	X	Attached to <a href="#">Controller board</a>
2	57X9022	2GB DDR3 SO-DIMM (x64)	X	X	X	
3	57X9801	256MB User Flash	X	X	X	
4	21K0127	Forms and Bar Code (FMBC) eMMC Card	X	X	X	
	21K0128	IPDS eMMC Card	X	X	X	
	21K0129	PRESCRIBE eMMC Card	X	X	X	
	57X9810	Font cards	X	X	X	
	27X6510	MarkNet N8370 802.11 a/b/g/n/ac	X	X	X	External option