

# Lexmark CS510 Series Colour Laser Printer

Professional Quality Colour. Peak Performance.



Meet the new star in Lexmark's colour laser printer lineup for midsize workgroups. The Lexmark CS510 Series colour laser printer provides spot-on PANTONE® colour matching, smart print management and super-fast speeds that make it a workhorse winner. *Want more capacity? Get the CS510dte.*



Colour



Up to 32 ppm



4.3-in. Touch  
Screen



Solutions

Unison  
TONER

## Present Your Brand with Accurate Colour

Produce beautiful, vibrant tones and print your branded materials in-house. This all-new model packs advanced productivity capabilities to help you work faster and smarter.

**Professional Colour Matching** - Lexmark Named Colour Replacement and PANTONE® calibration make it easy to develop a consistent brand image by accurately matching your colours.

**High Resolution Graphics** - With up to true 1200x1200 dpi resolution, images and graphics stay crisp. Lexmark's Unison™ Toner ensures consistent quality, too.

**Super Fast and Quiet Output** - Power through projects with print speeds up to 32 pages per minute in black and colour—plus produce a 1-page colour document in as little as 10 seconds.

**Print Complex Documents Even Faster** - Even complex colour documents print fast, thanks to its new, high-speed dual-core processor, 512 MB of upgradable memory and Gigabit Ethernet.

## More Performance. Less Hassle.

In a tough, deadline-driven environment, this system really performs. With a bright colour touch screen, convenient USB port, large paper input capacity and more, our solution makes printing a pleasure.

**Reliable Performance** - Easily print up to 7,000 pages per month, plus enjoy fewer maintenance hassles, thanks to our state-of-the-art paper handling.

**Bright Touch Screen** - Our easy-to-use 4.3-inch colour touch screen allows you to preview and make post job changes fast.

**Run Larger Jobs without Interruption** - With an input capacity of up to 1,450 sheets and extra high yield toner cartridge options, you won't have to add paper or change cartridges as often.

**Innovative Toner That Optimizes Performance** - Get greater system performance with Lexmark's Unison™ Toner, which delivers consistent image quality from first print to last.

## Network Intelligent. Management Wise.

Quickly respond to changing business needs with our eco-friendly printers that help streamline your workflow using productivity solutions.

**Print Anytime and Anywhere<sup>6</sup>** - With this system, you can print from desktops as well as mobile devices that can run applications.

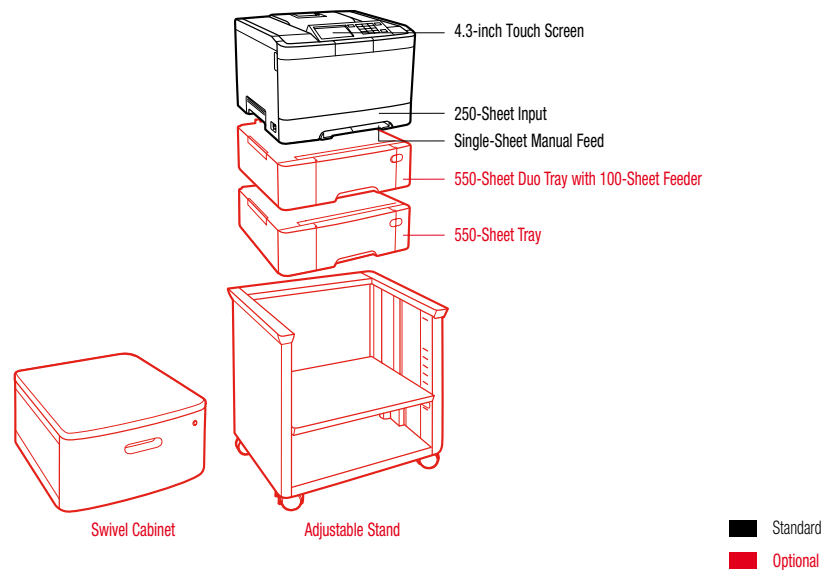
**Better Manage Print Jobs** - Take advantage of smart functions like job waiting, custom messaging and programmable alerts.

**Enjoy Enterprise-level Security** - Now you can authenticate, authorize and audit employee usage. Plus, protect sensitive data using standard network security protocols.

**Save Resources and the Planet** - An instant warm-up fuser and built-in 2-sided printing plus Quiet, Hibernate and Eco modes minimize noise and save paper and energy.

LEXMARK  
TM

# Lexmark CS510 Series Colour Laser Printer



Product specifications	Lexmark CS510de	Lexmark CS510dte
<b>Printing</b>		
Display	Lexmark e-Task 4.3-inch (10.9 cm) colour touch screen	
Print Speed: Up to <sup>4</sup>	Black: 32 ppm / Colour: 32 ppm	
Time to First Page: As fast as	Black: 9 seconds / Colour: 10 seconds	
Print Resolution	Black: 1200 x 1200 dpi, 4800 Colour Quality (2400 x 600 dpi) / Colour: 1200 x 1200 dpi, 4800 Colour Quality (2400 x 600 dpi)	
Memory / Processor	Standard: 512 MB / Maximum: 2560 MB / Processor: Dual Core, 800 MHz	
Hard Disk	Option available	
Recommended Monthly Page Volume <sup>2</sup>	1500 - 7000 pages	
Maximum Monthly Duty Cycle: Up to <sup>3</sup>	85000 pages per month	
<b>Supplies<sup>5</sup></b>		
Laser Cartridge Yields	1,000 <sup>1</sup> -page Black and Colour (CMYK) Cartridges, 3,000 <sup>1</sup> -page Colour (CMY) High Yield Cartridges, 4,000 <sup>1</sup> -page Black High Yield Cartridge, 4,000 <sup>1</sup> -page Colour (CMY) Extra High Yield Cartridges, 8,000 <sup>1</sup> -page Black Extra High Yield Cartridge	
Cartridge(s) Shipping with Product	6,000 <sup>1</sup> -page Black Starter Return Program Toner Cartridge, 4,000 <sup>1</sup> -page Colour (CMY) Extra High Yield Return Program Toner Cartridges	
<b>Paper Handling</b>		
Included Paper Handling	250-Sheet Input, 125-Sheet Output Bin, Integrated Duplex, Single-Sheet Manual Feed	250-Sheet Input, 550-Sheet Duo Tray with 100-Sheet Feeder, 125-Sheet Output Bin, Integrated Duplex, Single-Sheet Manual Feed
Optional Paper Handling	550-Sheet Tray, 550-Sheet Duo Tray with 100-Sheet Feeder	550-Sheet Tray
Paper Input Capacity: Up to	Standard: 250+1 pages 20 lb or 75 gsm bond / Maximum: 1450+1 pages 20 lb or 75 gsm bond	Standard: 900+1 pages 20 lb or 75 gsm bond / Maximum: 1450+1 pages 20 lb or 75 gsm bond
Paper Output Capacity: Up to	Standard: 125 pages 20 lb or 75 gsm bond / Maximum: 125 pages 20 lb or 75 gsm bond	
Media Types Supported	Card Stock, Paper Labels, Plain Paper, Transparencies, Refer to the Card Stock & Label Guide	Card Stock, Envelopes, Paper Labels, Plain Paper, Transparencies, Refer to the Card Stock & Label Guide
Media Sizes Supported	A4, A5, Executive, Folio, JIS-B5, Legal, Letter, Universal, Oficio	10 Envelope, 7 3/4 Envelope, 9 Envelope, A4, A5, B5 Envelope, C5 Envelope, DL Envelope, Executive, Folio, JIS-B5, Legal, Letter, Universal, Oficio
<b>General<sup>7</sup></b>		
Standard Ports	USB 2.0 Specification Hi-Speed Certified (Type B), Gigabit Ethernet (10/100/1000), Front USB 2.0 Specification Hi-Speed Certified port (Type A), Rear USB 2.0 Specification Hi-Speed Certified port (Type A)	
Optional Network Ports / Optional Local Ports	MarkNet N8352 802.11b/g/n Wireless	
Noise Level, Operating	Print: 50 dBA	
Product Warranty	1-Year Exchange Service, Next Business Day	
Size (in. - H x W x D) / Weight (lb.)	12.1 x 17.4 x 16.0 in. / 46.1 lb.	17.2 x 17.4 x 16.4 in. / 55.3 lb.

<sup>1</sup> Average continuous black or continuous composite CMY declared cartridge yield up to this number of standard pages in accordance with ISO/IEC 19798. <sup>2</sup> "Recommended Monthly Page Volume" is a range of pages that helps customers evaluate Lexmark's product offerings based on the average number of pages customers plan to print on the device each month. Lexmark recommends that the number of pages per month be within the stated range for optimum device performance, based on factors including: supplies replacement intervals, paper loading intervals, speed, and typical customer usage. <sup>3</sup> "Maximum Monthly Duty Cycle" is defined as the maximum number of pages a device could deliver in a month using a multishift operation. This metric provides a comparison of robustness in relation to other Lexmark printers and MFPs. <sup>4</sup> Print and copy speeds measured in accordance with ISO/IEC 24734, excludes first set of test documents. For more information see: [www.lexmark.com/ISOspeeds](http://www.lexmark.com/ISOspeeds). <sup>5</sup> Product functions only with replacement cartridges designed for use in a specific geographical region. See [www.lexmark.com/regions](http://www.lexmark.com/regions) for more details. <sup>6</sup> For more information on Lexmark Mobile Solutions see: [http://www1.lexmark.com/en\\_US/solutions/business-solutions/mobile-print/index.shtml](http://www1.lexmark.com/en_US/solutions/business-solutions/mobile-print/index.shtml) <sup>7</sup> Printers are sold subject to certain license/agreement conditions. See [www.lexmark.ca/printerlicense](http://www.lexmark.ca/printerlicense) for details.

