



# Lexmark CS517de

Why pay high prices to outsource printing your colour documents? The CS517de produces professional colour prints in-house, with PANTONE® colour accuracy, at speeds up to 32 pages per minute, along with available High-Yield cartridges. It also includes built-in advanced security features, Gigabit networking and mobile print capability.

**Part Number**

28EC050

**Print Technology**

Color Laser

**Workgroup Size**

Small-Medium Workgroup

**Touch Screen Display**

Yes

**Display**

Lexmark e-Task 4.3-inch (10.9 cm) colour touch screen

**Print Speed (Letter, Black)**

Up to 32 ppm<sup>6</sup>

**Print Speed (Letter, Colour)**

Up to 32 ppm<sup>6</sup>

**Print Speed (Letter, Black) Duplex**

Up to 15 spm<sup>6</sup>

**Print Speed (Letter, Colour) Duplex**

Up to 15 spm<sup>6</sup>

**Print Speed (A4, Black)**

Up to 30 ppm<sup>6</sup>

**Print Speed (A4, Colour)**

Up to 30 ppm<sup>6</sup>

**Print Speed (A4, Black) Duplex**

Up to 15 spm<sup>6</sup>

**Print Speed (A4, Colour) Duplex**

Up to 15 spm<sup>6</sup>

**Time to First Page (Black)**

As fast as 9 seconds

**Time to First Page (Colour)**

As fast as 10 seconds

**Duplex (2-sided) Printing**

Integrated Duplex

**Print Resolution, Black**

1200 x 1200 dpi, 4800 Color Quality (2400 x 600 dpi)

**Print Resolution, Colour**

1200 x 1200 dpi, 4800 Color Quality (2400 x 600 dpi)

**Processor**

Dual Core, 800 MHz

**Memory, Standard**

512 MB

**Memory, Maximum**

2560 MB

**Hard Disk**

Option available

**Apple Operating Systems Supported**

Apple OS X (10.5, 10.6, 10.7, 10.8, 10.9, 10.10)

**Citrix MetaFrame**

Microsoft Windows Server 2003 x64 running Terminal Services with Citrix Presentation Server 4.0 x64, 4.5 x64, Microsoft Windows Server 2003 running Terminal Services with Citrix Presentation Server 4.0, 4.5, Microsoft Windows Server 2003 and 2003 X64 Edition with Citrix XenApp 5.0, Microsoft Windows Server 2008 and 2008 X64 Edition with Citrix XenApp 5.0, Microsoft Windows Server 2008 R2 with Citrix XenApp 6.0

**Linux Operating Systems Supported**

SUSE Linux Enterprise Server 10, 11, SUSE Linux Enterprise Desktop 10, 11, Red Flag Linux Desktop 6.0, Linpus Linux Desktop 9.6, Debian GNU/Linux 5.0, 6.0, Red Hat Enterprise Linux WS 4.0, 5.0, 6.0, Ubuntu 11.04, 11.10, 12.04, 12.10, openSUSE 11.3, 11.4, 12.1, 12.2, PCLinuxOS 2011, Mint 9, 10, 11, 12, 13, Fedora 14, 15, 16, 17

**Microsoft Windows Operating Systems Supported**

Windows XP, Windows Server 2003, Windows XP x64, Windows Server 2003 x64, Windows Vista, Windows Vista x64, Windows Server 2008, Windows Server 2008 x64, Windows 7, Windows 7 x64, Windows Server 2008 R2, Windows 8, Windows 8 x64, Windows Server 2012, Windows 8.1, Windows 8.1 x64, Windows Server 2012 R2, Windows RT, Windows RT 8.1, Windows 10

**Novell Operating Systems Supported**

Novell NetWare 6.5 Open Enterprise Server, Novell NetWare 5.1(SP 6+), 6.0(SP 3+) with Novell Distributed Print Services (NDPS), Novell Open Enterprise Server on SUSE Linux Enterprise Server

**UNIX Operating Systems Supported**

HP-UX 11.11, 11.23, 11.31, Sun Solaris SPARC 9, 10, 11, Sun Solaris x86 10, 11, IBM AIX 5.3, 6.1, 7.1

**Included Paper Handling**

250-Sheet Input, 125-Sheet Output Bin, Integrated Duplex, Single-Sheet Manual Feed

**Optional Paper Handling**

550-Sheet Tray, 550-Sheet Duo Tray with 100-Sheet Feeder

**Paper Input Capacity, Standard**

Up to 250+1 pages 20 lb or 75 gsm bond

**Paper Input Capacity, Maximum**

Up to 1450+1 pages 20 lb or 75 gsm bond

**Paper Output Capacity, Standard**

Up to 125 pages 20 lb or 75 gsm bond

**Paper Output Capacity, Maximum**

Up to 125 pages 20 lb or 75 gsm bond

**Paper Weight Range Supported - Standard Tray (gsm)**

60 - 176 gsm

**Integrated Tray Card Stock Upper limit (grain long)**

Index Bristol - 120 gsm (67 lb), Tag - 120 gsm (74 lb), Cover - 135 gsm (50 lb)

**Finishing Option**

No

**Number of Paper Inputs, Standard**

1

**Number of Paper Inputs, Maximum**

4

**Media Types Supported**

Card Stock, Paper Labels, Plain Paper, Transparencies, Refer to the Card Stock & Label Guide.

**Media Sizes Supported**

A4, A5, Executive, Folio, JIS-B5, Legal, Letter, Universal, Oficio

**Standard Ports**

USB 2.0 Specification Hi-Speed Certified (Type B), Gigabit Ethernet (10/100/1000), Front USB 2.0 Specification Hi-Speed Certified port (Type A), Rear USB 2.0 Specification Hi-Speed Certified port (Type A)

**Optional Network Ports**

MarkNet N8352 802.11b/g/n Wireless

**Direct USB**

Yes

**Ethernet Network**

Yes

**Network Protocol Support**

TCP/IP IPv4, AppleTalk™, TCP/IP IPv6, TCP, UDP

**Network Printing Methods**

LPR/LPD, Direct IP (Port 9100), Enhanced IP (Port 9400), FTP, TFTP, ThinPrint .print integration, Telnet, IPP 1.0, 1.1, 2.0 (Internet Printing Protocol)

**Network Management Protocols<sup>1</sup>**

HTTP, HTTPs (SSL/TLS), SNMPv1, SNMPv2c, SNMPv3, WINS, IGMP, APIPA (AutoIP), DHCP, ICMP, DNS, Bonjour, DDNS, mDNS, ARP, NTP, Telnet, Finger,

**Network Security**

SNMPv3, 802.1x Authentication: MD5, MSCHAPv2, LEAP, PEAP, TLS, TTLS, IPsec

**Printable Area (metric)**

4.2 mm of the top, bottom, right and left edges (within)

**Printer Languages (Standard)**

PCL 5c Emulation, PCL 6 Emulation, Personal Printer Data Stream (PPDS), PostScript 3 Emulation, Direct Image, Microsoft XPS (XML Paper Specification), PDF 1.7 emulation

**Fonts and Symbol Sets**

3 of 9 scalable PCL 5e fonts in Narrow, Regular and Wide, 158 scalable PostScript fonts, 2 PCL bitmap fonts, 39 scalable PPDS fonts, 5 PPDS bitmap fonts, 84 scalable PCL fonts, OCR-A, OCR-B scalable PCL 5e fonts, For more information, refer to the Technical Reference.

**Laser Cartridge Yields (up to)<sup>5</sup>**

8,000-page Black High Yield Cartridge, , 2,300-page Colour (CMY) Cartridges, 3,000-page Black Cartridge, 3,500-page Colour (CMY) High Yield Cartridges

**Photoconductor Estimated Yield**

Up to 40,000 pages, based on 3 average letter/A4-size pages per print job and ~ 5% coverage<sup>4</sup>

**Cartridge(s) Shipping with Product**

1,400-page Color (CMY) Starter Return Program Toner Cartridge, 3,000-page Black Starter Return Program Toner Cartridge

**Replacement Cartridges:**

Product functions only with replacement cartridges designed for use in a specific geographical region. See [www.lexmark.com/](http://www.lexmark.com/) regions for more details.

**Packaged Size (mm - H x W x D)**

402 x 595 x 495 mm

**Packaged Weight, kg**

24.3 kg

**Size (mm - H x W x D)**

306 x 442 x 407 mm

**Weight**

20.9 kg

**Noise Level, Idle**

16 dBA

**Noise Level (Print), Operating**

50 dBA

**Duplex Print Noise Level, Operating**

52 dBA

**ENERGY STAR**

Yes

**Average Power (Hibernate Mode)**

0.5 watts

**Average Power (Sleep Mode)**

3 watts

**Average Power (Ready Mode)**

30 watts

**Average Power (Printing)**

580 watts

**ENERGY STAR Typical Electricity Consumption (TEC)**

2.5 kilowatt-hours per week

**Limited Warranty - See Statement of Limited Warranty**

1-Year Exchange, Onsite Service, Next Business Day

**Product Certifications**

ENERGY STAR, Blue Angel RAL-UZ-171, ICES-003 Class B, BSMI Class B, VCCI Class B, US FDA, UL 60950-1, FCC Class B, cUL CAN/CSA-C22.2 60950-1, CB EN/IEC 60950-1, CB EN/IEC 60825-1, CE DoC (EN 62301 Class B, EN 62311, CE EN/IEC 60950-1, CE EN/IEC 60825-1, EN 61000-3, EN 55022 Class B, EN 55024, UL), EFTA (CE), KCC, CCC, CECP, CEL, C-tick DoC, UL-AR, KC mark, UL GS mark, UCRF, EC 1275

**Maximum Monthly Duty Cycle**

Up to 85000 pages per month<sup>3</sup>

**Recommended Monthly Page Volume**

1500 - 7000 pages<sup>2</sup>

**Specified Operating Environment**

Temperature: 16 to 32°C (60 to 90°F), Humidity: 8 to 80% Relative Humidity, Altitude: 0 - 2896 Meters (9,500 Feet)

**License/Agreement Terms**

Printers are sold subject to certain license/agreement conditions. See [www.lexmark.com/](http://www.lexmark.com/) printerlicense for details.

**Country of Origin**

China (PRC)

**UNSPSC Code**

43212105

**Harmonized Tariff Code**

8443.32.1010

<sup>1</sup>This product includes software developed by the OpenSSL Project for use in the OpenSSL Toolkit. (<http://www.openssl.org/>)

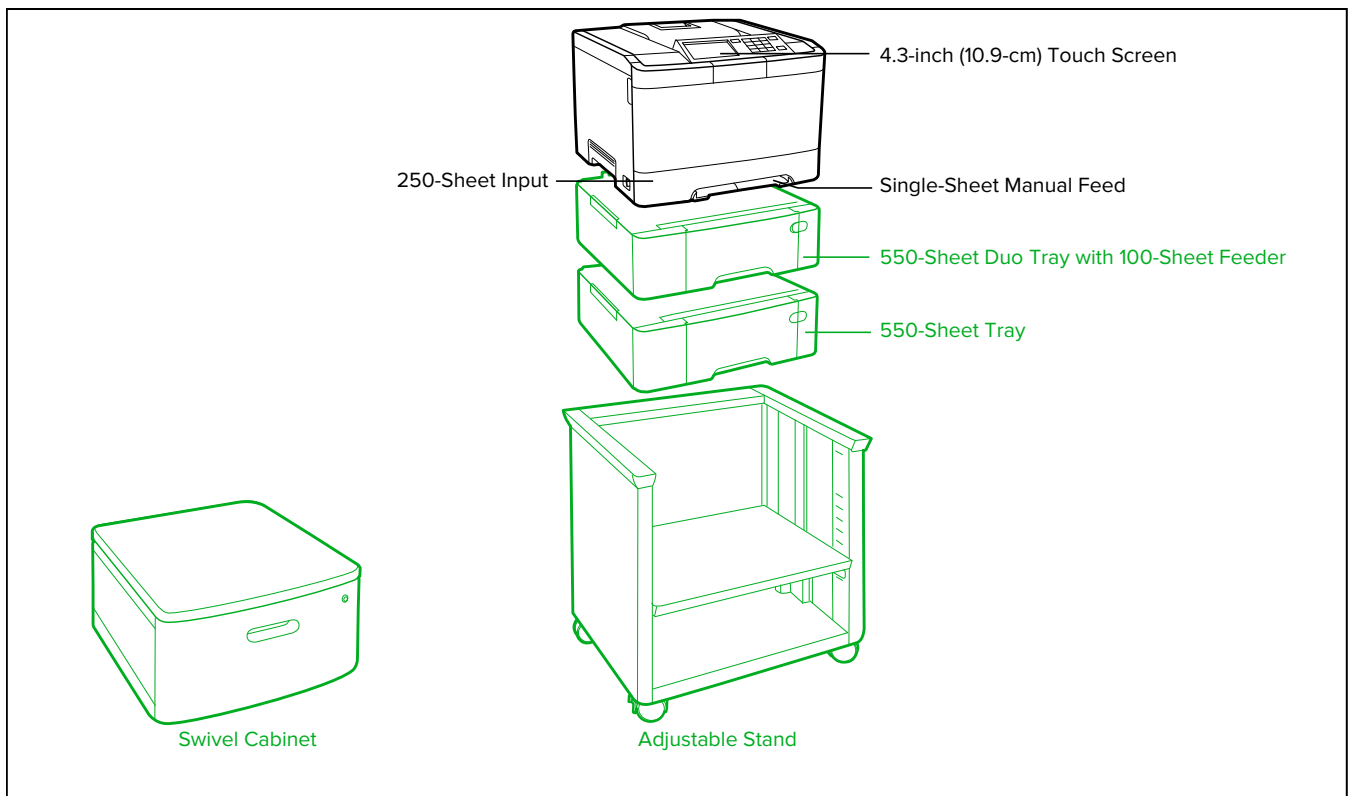
<sup>2</sup>"Recommended Monthly Page Volume" is a range of pages that helps customers evaluate Lexmark's product offerings based on the average number of pages customers plan to print on the device each month. Lexmark recommends that the number of pages per month be within the stated range for optimum device performance, based on factors including: supplies replacement intervals, paper loading intervals, speed, and typical customer usage.

<sup>3</sup>"Maximum Monthly Duty Cycle" is defined as the maximum number of pages a device could deliver in a month using a multishift operation. This metric provides a comparison of robustness in relation to other Lexmark printers and MFPs.

<sup>4</sup>Actual Yield may vary based on other factors such as device speed, paper size and feed orientation, toner coverage, tray source, percentage of black-only printing and average print job complexity.

<sup>5</sup>Average continuous black or continuous composite CMY declared cartridge yield up to this number of standard pages in accordance with ISO/IEC 19798.

<sup>6</sup>Print and copy speeds measured in accordance with ISO/IEC 24734 and ISO/IEC 24735 respectively (ESAT). For more information see: [www.lexmark.com/ISOspeeds](http://www.lexmark.com/ISOspeeds).



Standard  
 Optional

**P/N Toner Cartridges**

71B10K0	CS/CX 317, 417, 517 Black Return Program Toner Cartridge
71B1HC0	CS/CX 417, 517 Cyan High-Yield Return Program Toner Cartridge
71B1HM0	CS/CX 417, 517 Magenta High-Yield Return Program Toner Cartridge
71B1HY0	CS/CX 417, 517 Yellow High-Yield Return Program Toner Cartridge
71B0X10	CS/CX 517 Black Extra-High-Yield Toner Cartridge
71B1XK0	CS/CX 517 Black Extra-High-Yield Lexmark Return Program Toner Cartridge
C540X75G	Waste Toner Bottle
70C0Z50	700Z5 Black and Colour Imaging Kit
70C0Z10	700Z1 Black Imaging Kit
70C0P00	700P Photoconductor Unit
70C0D20	700D2 Cyan Developer Unit
70C0D30	700D3 Magenta Developer Unit
70C0D40	700D4 Yellow Developer Unit
70C0D10	700D1 Black Developer Unit

**P/N Paper Handling**

38C0626	550-Sheet Duo Tray with 100-Sheet Feeder
38C0636	550-Sheet Tray

**P/N Furniture**

3073173	Swivel Cabinet
35S8502	Adjustable Stand

**P/N Memory Options**

27X0200	500 GB Hard Disk
---------	------------------

**P/N Memory Options**

57X9016	1024MBx32 DDR3-DRAM
57X9012	2048MBx32 DDR3-DRAM
57X9101	256MB Flash Memory Card
57X9110	Traditional Chinese Font Card
57X9112	Simplified Chinese Font Card
57X9114	Korean Font Card
57X9115	Japanese Font Card

**P/N Application Solutions**

57X0300	Contact Authentication Device
57X0301	Contactless Authentication Device
38C0512	CS510 Forms and Bar Code Card
38C0517	CS510 Card for PRESCRIBE Emulation
<b>P/N Connectivity</b>	
1021294	USB (2 Meter) Cable
27X0130	MarkNet N8352 802.11b/g/n Wireless Print Server Kit
27X0135	MarkNet N8352 Wireless Print Server plus NFC
SPD0001	Surge Protective Device, 110-120V

**P/N Extended Warranties**

2361041	CS517 2-Years Total (1+1) Exchange Service
2361042	CS517 3-Years Total (1+2) Exchange Service
2361043	CS517 4-Years Total (1+3) Exchange Service
2361044	CS517 5-Years Total (1+4) Exchange Service

**P/N Extended Warranties**

2361045	CS517 1-Year Exchange Service Renewal
2361046	CS517 1-Year Post Wty Exchange NBD Warranty
2361047	CS517 Per Call 1-Time Exchange NBD Warranty
2361048	CS517 Upgrade to Onsite Service
2361049	CS517 2-Years Total (1+1) Onsite Service
2361050	CS517 3-Years Total (1+2) Onsite Service
2361051	CS517 4-Years Total (1+3) Onsite Service
2361052	CS517 5-Years Total (1+4) Onsite Service
2361053	CS517 1-Year Onsite Service Renewal
2361054	CS517 1-Year Post Wty Onsite Repair NBD Warranty
2361055	CS517 Per Call 1-Time Onsite Repair NBD Warranty

**P/N User Replaceable Parts**

40X5168	Pick Tire
---------	-----------

**P/N Service Parts**

40X7615	Fuser Maintenance kit, 110-120V
40X7622	Fuser, 110-120V