



Lexmark CS720dte

The Lexmark CS720dte offers workgroup-level printing performance in a simple, feature-rich package that's easy to use and comes with extra input capacity.

Part Number

40C9101

Print Technology

Color Laser

Function

Color Printing

Workgroup Size

Medium Workgroup

Touch Screen Display

Yes

Display

Lexmark e-Task 4.3-inch color touch screen

Print Speed (Letter, Black)

Up to 40 ppm⁶

Print Speed (Letter, Color)

Up to 40 ppm⁶

Print Speed (Letter, Black) Duplex

Up to 32 spm⁶

Time to First Page (Black)

As fast as 6.0 seconds

Time to First Page (Color)

As fast as 6.5 seconds

Duplex (2-sided) Printing

Integrated Duplex

Print Resolution, Black

1200 x 1200 dpi, 4800 CQ (2400 x 600 dpi)

Print Resolution, Color

1200 x 1200 dpi, 4800 CQ (2400 x 600 dpi)

Processor Speed

Quad Core 1.2 GHz

Memory, Standard

1024 MB

Memory, Maximum

3072 MB

Hard Disk

Option available

Apple Operating Systems Supported

Apple OS X (10.6, 10.7, 10.8, 10.9, 10.10, 10.11)

Citrix MetaFrame

Microsoft Windows Server 2008 and 2008 X64 Edition with Citrix XenApp 5.0, Microsoft Windows Server 2008 R2 with Citrix XenApp 6.0, 6.5, Microsoft Windows Server 2012 with Citrix XenApp 6.0, 6.5

Linux Operating Systems Supported

Debian GNU/Linux 7.0, 8.0, Fedora 21, 22, Linpus Linux Lite Desktop 2.1, Linux Mint 13 LTS, 17 LTS, 17.1 LTS, 17.2 LTS, Linux Mint 2 Debian, PCLinuxOS 2014.12, Red Hat Enterprise Linux WS 4, 5, 6, 7, SUSE Linux Enterprise Desktop 10, 11, 12, SUSE Linux Enterprise Server 10, 11, 12, Ubuntu 12.04 LTS, 14.04 LTS, 15.04, openSUSE 13.1, 13.2, openSUSE Tumbleweed

Microsoft Windows Operating Systems Supported

Windows XP, Windows XP x64, Windows Vista, Windows Vista x64, Windows Server 2008, Windows Server 2008 x64, Windows 7, Windows 7 x64, Windows Server 2008 R2, Windows 8, Windows 8 x64, Windows Server 2012, Windows 8.1, Windows 8.1 x64, Windows Server 2012 R2, Windows RT, Windows RT 8.1, Windows 10

Novell Operating Systems Supported

Novell NetWare 6.5 Open Enterprise Server, Novell Open Enterprise Server 2 on SUSE Linux Enterprise Server 10 SP4, Novell Open Enterprise Server 11 on SUSE Linux Enterprise Server 11

UNIX Operating Systems Supported

Sun Solaris x86 10, 11, Sun Solaris SPARC 10, 11, IBM AIX 6.1, 7.1

Included Paper Handling

550-Sheet Input, 100-Sheet Multipurpose Feeder, Integrated Duplex, 550-Sheet Tray, 300-Sheet Output Bin

Optional Paper Handling

550-Sheet Tray

Paper Input Capacity, Standard

Up to 1200 pages 20 lb or 75 gsm bond

Paper Input Capacity, Maximum

Up to 2300 pages 20 lb or 75 gsm bond

Paper Output Capacity, Standard

Up to 300 pages 20 lb or 75 gsm bond

Paper Output Capacity, Maximum

Up to 300 pages 20 lb or 75 gsm bond

Paper Weight Range Supported - Standard Tray (lb.)

16 - 58 lb.

Paper Weight Range Supported - Multipurpose Feeder (lb.)

16 - 58 lb.

Integrated Tray Card Stock Upper limit (grain long)

Index Bristol - 199 gsm (110 lb), Tag - 163 gsm (100 lb), Cover - 176 gsm (65 lb)

Integrated Tray Card Stock Upper limit (grain short)

Index Bristol - 199 gsm (110 lb), Cover - 216 gsm (80 lb), Tag - 203 gsm (125 lb)

Finishing Option

No

Number of Paper Inputs, Standard

3

Number of Paper Inputs, Maximum

5

Media Types Supported

Card Stock, Envelopes, Paper Labels, Plain Paper, Vinyl Labels, Banner Paper, Refer to the Paper & Specialty Media Guide

Media Sizes Supported

10 Envelope, 7 3/4 Envelope, 9 Envelope, A4, A5, B5 Envelope, C5 Envelope, DL Envelope, Executive, Folio, JIS-B5, Legal, Letter, Statement, Universal, Oficio, A6

Standard Ports

One Internal Card Slot, USB 2.0 Specification Hi-Speed Certified (Type B), Gigabit Ethernet (10/100/1000), Front USB 2.0 Specification Hi-Speed Certified port (Type A), Rear Hi-Speed USB Port Compatible with USB 2.0 Specification (Type A)

Optional Network Ports

Internal MarkNet N8360 802.11b/g/n Wireless, NFC

Direct USB

Yes

Ethernet Network

Yes

Wireless

Wireless Option

Network Protocol Support

TCP/IP IPv4, TCP/IP IPv6, TCP, UDP

Network Printing Methods

LPR/LPD, Direct IP (Port 9100), Enhanced IP (Port 9400), Secure IP (Port 96xx), FTP, TFTP, ThinPrint .print integration, Telnet, IPP 1.0, 1.1, 2.0 (Internet Printing Protocol), Microsoft Web Services WSD, Pull Printing

Network Management Protocols¹

HTTP, HTTPS (SSL/TLS), SNMPv1, SNMPv2c, SNMPv3, WINS, IGMP, BOOTP, RARP, APIPA (AutoIP), DHCP, ICMP, DNS, Bonjour, DDNS, mDNS, ARP, NTP, Telnet, Finger,

Network Security

SNMPv3, 802.1x Authentication: MD5, MSCHAPv2, LEAP, PEAP, TLS, TTLS, IPsec

Printer Languages (Standard)

PCL 5c Emulation, PCL 6 Emulation, Personal Printer Data Stream (PPDS), PostScript 3 Emulation, Direct Image, AirPrint™, PDF 1.7 emulation

Fonts and Symbol Sets

3 of 9 scalable PCL 5e fonts in Narrow, Regular and Wide, 2 PCL bitmap fonts, 39 scalable PPDS fonts, 84 scalable PCL fonts, OCR-A, OCR-B scalable PCL 5e fonts, For more information, refer to the Technical Reference., 165 scalable PostScript fonts, 15 PPDS bitmap fonts

Laser Cartridge Yields (up to)⁵

, 3,000-page Black and Color (CMYK) Cartridges, 7,000-page Black and Color (CMYK) Cartridges, 20,000-page Black High Yield Cartridge

Imaging Unit Estimated Yield

Up to 150000 pages, based on 5 average letter/A4 size pages per print job and ~ 5% coverage for CS/CX96x, CX83x, CX95x, and MX95x printer series, or based on 3 average letter/A4 size pages per print job and ~ 5% coverage for all other printers⁴

Cartridge(s) Shipping with Product

3,000-page Black and Color (CMYK) Return Program Toner Cartridges

Replacement Cartridges:

Product functions only with replacement cartridges designed for use in a specific geographical region. See www.lexmark.com/ regions for more details.

Packaged Size (in. - H x W x D)

35.2 x 25.6 x 29.5 in.

Packaged Weight (lb.)

113.2 lb.

Size (in. - H x W x D)

21.1 x 18.7 x 19.65 in.

Weight (lb.)

94.6 lb.

Noise Level, Idle

15 dBA

Noise Level (Print), Operating

51 dBA

Duplex Print Noise Level, Operating

53 dBA

ENERGY STAR

Yes

Average Power (Hibernate Mode)

0.2 watts

Average Power (Sleep Mode)

2.35 watts

Average Power (Ready Mode)

80 watts

Average Power (Printing)

560 watts

ENERGY STAR Typical Electricity Consumption (TEC)

0.76 kilowatt-hours per week

Limited Warranty - See Statement of Limited Warranty

1-Year Onsite Service, Next Business Day

Product Certifications

ENERGY STAR, ICES-003 Class A, BSMI Class A, VCCI Class A, FCC Class A, NOM-032, UL, cUL, NOM, US FDA/CDRH, IEC 60825-1, CB Report, ISO-532B, CE (EU) DoC, EFTA (CE), KC logo, CCC, C-tick DoC, EuP, CECP, CEL, EC 1275/2008, ECMA-370, TED, SII, TER, SABS, UL-AR, GS Mark, Green Dot, ISO-9296, COC, CCD-035 EcoLogo, Green Mark, EPEAT, China Green Product (CGP)

Maximum Monthly Duty Cycle

Up to 120000 pages per month³

Recommended Monthly Page Volume

1500 - 15000 pages²

Specified Operating Environment

Humidity: 15 to 80% Relative Humidity,
Temperature: 10 to 32°C (50 to 90°F), Altitude: 0 - 2896 Meters (9,500 Feet)

License/Agreement Terms

Printers are sold subject to certain license/agreement conditions. See www.lexmark.com/ printerlicense for details.

Country of Origin

China (PRC)

UNSPSC Code

43212110

Harmonized Tariff Code

8443.32.1010

¹This product includes software developed by the OpenSSL Project for use in the OpenSSL Toolkit. (<http://www.openssl.org/>)

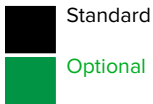
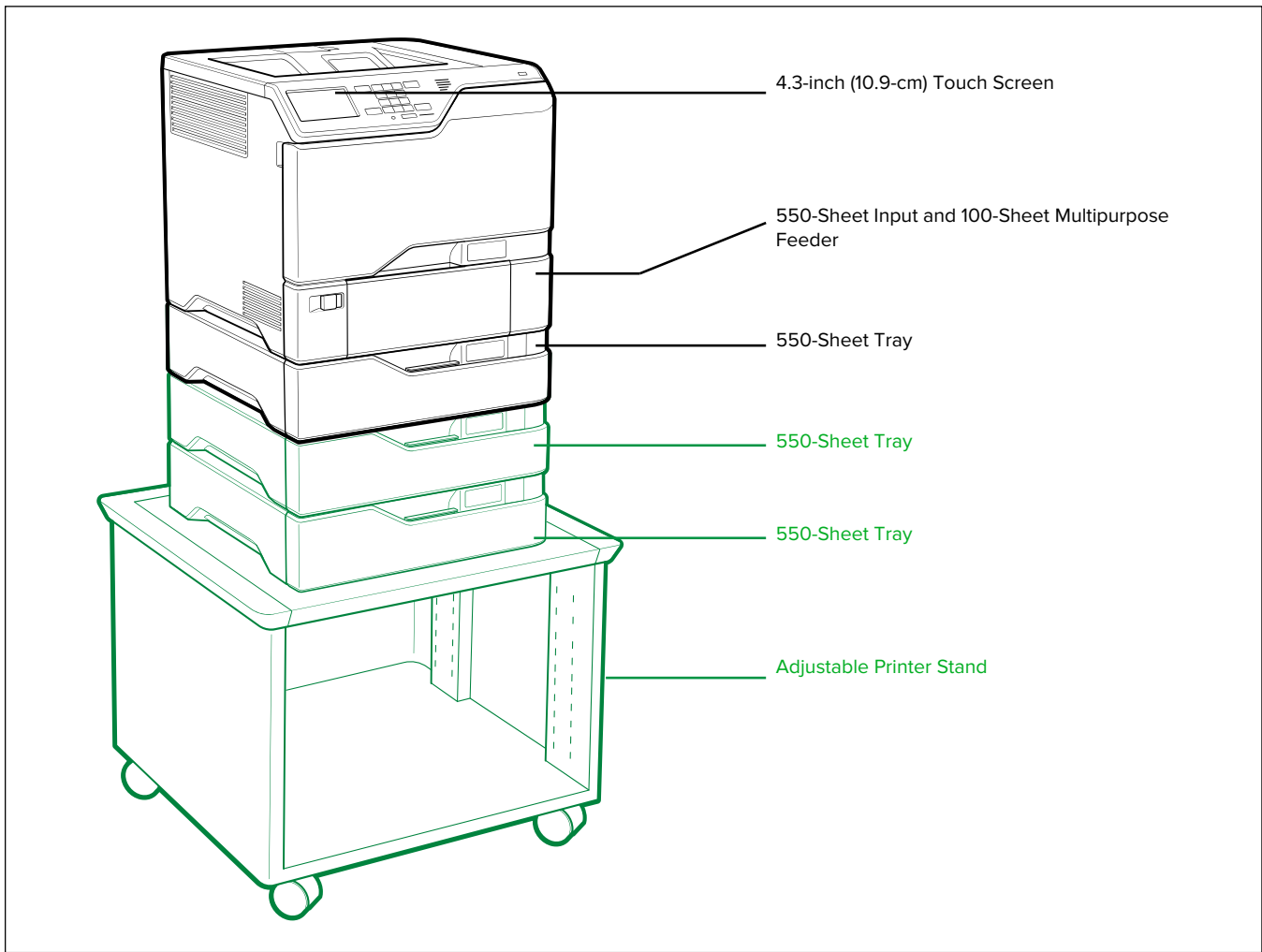
²"Recommended Monthly Page Volume" is a range of pages that helps customers evaluate Lexmark's product offerings based on the average number of pages customers plan to print on the device each month. Lexmark recommends that the number of pages per month be within the stated range for optimum device performance, based on factors including: supplies replacement intervals, paper loading intervals, speed, and typical customer usage.

³"Maximum Monthly Duty Cycle" is defined as the maximum number of pages a device could deliver in a month using a multishift operation. This metric provides a comparison of robustness in relation to other Lexmark printers and MFPs.

⁴Actual Yield may vary based on other factors such as device speed, paper size and feed orientation, toner coverage, tray source, percentage of black-only printing and average print job complexity.

⁵Average continuous black or continuous composite CMY declared cartridge yield up to this number of standard pages in accordance with ISO/IEC 19798.

⁶Print and copy speeds measured in accordance with ISO/IEC 24734 and ISO/IEC 24735 respectively (ESAT). For more information see: www.lexmark.com/ISOspeeds.



P/N	Toner Cartridges
74C10C0	Lexmark CS720, CS/CX725 Cyan Return Program 3K Toner Cartridge
74C10M0	Lexmark CS720, CS/CX725 Magenta Return Program 3K Toner Cartridge
74C10Y0	Lexmark CS720, CS/CX725 Yellow Return Program 3K Toner Cartridge
74C10K0	Lexmark CS720, CS/CX725 Black Return Program 3K Toner Cartridge
74C1SC0	Lexmark CS720, CS/CX725 Cyan Return Program 7K Toner Cartridge
74C1SM0	Lexmark CS720, CS/CX725 Magenta Return Program 7K Toner Cartridge
74C1SY0	Lexmark CS720, CS/CX725 Yellow Return Program 7K Toner Cartridge
74C1SK0	Lexmark CS720, CS/CX725 Black Return Program 7K Toner Cartridge
74C1HK0	Lexmark CS720, CS725 Black Return Program 20K Toner Cartridge
74C0H10	Lexmark CS/CX725 Black 20K Toner Cartridge
74C0S20	Lexmark CS720 Cyan 7K Toner Cartridge

P/N	Toner Cartridges
74C0S30	Lexmark CS720 Magenta 7K Toner Cartridge
74C0S40	Lexmark CS720 Yellow 7K Toner Cartridge
74C0Z10	Lexmark CS720, 728, CS/CX725, 727, C4150, XC4140, 4150 Black 150K Imaging Unit
74C0ZK0	Lexmark CS720, 728, CS/CX725, 727, C4150, XC4140, 4150 Black Return Program 150K Imaging Unit
74C0ZV0	Lexmark CS720, 728, CS/CX725, 727, C4150, XC4140, 4150 3-Color Return Program 150K Imaging Kit
74C0Z50	Lexmark CS720, 728, CS/CX725, 727, C4150, XC4140, 4150 3-Color 150K Imaging Kit
74C0W00	Lexmark CS720, 728, CS/CX725, 727, C4150, XC4140, 4150 90K Waste Container

P/N	Paper Handling
40C2100	550-Sheet Tray

P/N	Furniture
40C2300	Adjustable Stand

P/N	Memory Options
27X0400	500+ GB Hard Disk
57X9020	2GB x32 DDR3 RAM
57X9801	256MB Flash Memory Card
57X9814	Korean Font Card
57X9815	Japanese Font Card
57X9812	Simplified Chinese Font Card
57X9810	Traditional Chinese Font Card

P/N	Application Solutions
40C9201	Card for IPDS
40C9200	Forms and Bar Code Card
40C9202	Card for PRESCRIBE Emulation
57X0300	Contact Authentication Device
57X0301	Contactless Authentication Device
57X0085	Lexmark Secure Element
57X0210	Elatec Reader Authentication Device

P/N	Connectivity
27X0812	CS72X, CX72x Lexmark MarkNet™ N8230 Fiber Ethernet Print Server

P/N	Connectivity
27X0823	MarkNet N8370 Wireless for CS720, CS725, CX725
1021294	USB Cable (2-meter)
SPD0001	Surge Protective Device, 110-120V

P/N	Extended Warranties
2360080	CS720 2-Years Total (1+1) Onsite Service
2360081	CS720 3-Years Total (1+2) Onsite Service
2360082	CS720 4-Years Total (1+3) Onsite Service
2360083	CS720 5-Years Total (1+4) Onsite Service
2360084	CS720 1-Year Onsite Service Renewal
2360085	CS720 1 Year Post Wty OSR NBD Extended Warranty
2360086	CS720 Per Call 1 Time NBD On Site Repair Warranty
2367197	CS720 7 Years Total (1+6) Onsite Repair Next Business Day
2365049	CS720 6 Year Total (1+5) Onsite Repair Next Business Day
2365050	CS720 2 Years renewal OnSite Service, Response Time Next Business Day
2365051	CS720 3 Years renewal OnSite Service, Response Time Next Business Day
2365052	CS720 4 Years renewal OnSite Service, Response Time Next Business Day

P/N	User Replaceable Parts
41X0554	Fuser Maintenance Kit 110-120V, Type 00
41X0252	Fuser 110-120V, Type 00
41X0374	Separator Bracket Assembly

P/N	Service Parts
40X9929	Image Transfer Unit