

Disassembly of Waste Electrical and Electronic Equipment (WEEE) Manual

EU Waste Electronic and Electrical Equipment Directive require producers to provide information of the different electronic and electrical materials and components found in their products at its end-of-life, and disassembly references to treatment and recycling facilities.

1. Product information
2. Materials and components list for selective treatment
3. Disassembly tools
4. Disassembly references

The following information is intended only for the use of recognized treatment and recycling facilities.

Section 1: Product information

Model name(s)— The product models are group together in series and are mechanically equivalent.

Lexmark CX73x series

CX730de, CX735adse, XC4342, XC4352

Section 2: Materials and components list for selective treatment

Table 2: Materials and components list for selective treatment

Description	Count	Notes
Polychlorinated biphenyls (PCB) containing capacitors	0	N/A
Mercury containing components, such as switches or backlighting lamps	0	N/A
Batteries	1	***** <u>Total Count = 1</u> ***** Lithium Manganese Oxide coin cell located on the Controller card
Printed circuit boards greater than 10 cm ²	multiple	***** <u>Minimum Count = 14</u> For details, see Annex B ***** <u>Options:</u> 1 – 550 Sheet Tray 1 – Stapler *****
Toner cartridges, liquid and pasty, as well as colour toner	7	4 – Toner cartridge 2 – Imaging unit 1 – Waste toner bottle
Plastic component(s) that may contain BFR (brominated ^s flame retardants)	multiple	***** <u>Minimum Count = 30</u> For details, See Annex A ***** <u>Options:</u> <u>+3</u> – for each 550 Paper handling *****
Note (§) - This product may contain plastic parts with brominated flame retardants. Recycler should treat these parts separately. See section 4.3 Disclaimer.		
Asbestos waste and components which contain asbestos	0	N/A
Cathode ray tubes	0	N/A
Chlorofluorocarbons (CFC), Hydrochlorofluorocarbons (HCFC) or Hydrofluorocarbons (HFC), Hydrocarbons (HC)	0	N/A
Gas discharge lamps	0	N/A
Liquid Crystal Display (LCD) greater than 100 cm ² and those back-lighted with Gas discharge lamps	1	7 or 10 in. Control panel display
External electrical cables	1	Power cord located on the back lower left quadrant
Components containing refractory fibres	0	N/A
Components containing radioactive substances	0	N/A
Electrolyte capacitors containing substances of concern (<i>capacitors with height > 25 mm, diameter > 25 mm or proportionately similar volume</i>)	1	Capacitor located on Power Supply
Electrical and Electronic (EE) Customer Replaceable Paper handling devices	multiple	See Customer Replaceable Paper handling devices For details, See Annex C
Electrical and Electronic (EE) Customer Replaceable Internal/External Card options	multiple	See External Card options For details, See Annex D

Section 3: Common Tools for Disassembly

Table 3.1 - Disassembly tools

Item	Description
1	#2 Phillips screwdriver, magnetic
2	Wire cutter
3	E-clip puller or small flat-head screwdriver
4	Standard slotted head screwdriver





Section 4: Disassembly references

4.1 Removal procedure(s)

WEEE materials and components removal procedures are available upon request.

Please Contact: recycling@lexmark.com

4.2 Graphical illustration of material's and component's location

-  LCD > 100 cm²
-  PCBs > 10 cm²
-  Printer components containing Brominated flame retardants
-  Battery

Please note: Graphic illustrations contained in this document may differ slightly from actual components

4.3 Disclaimer

Statement on WEEE Bromine Levels

Manufacturer is compliant with the European Directive 2012/19/EU and European Commission's mandated technical specification CLC/TS 50625-3-1:2015 stating that plastic containing brominated flame retardants (BFR) must be removed from any separately collected WEEE (Article 8, Annex VII) if total bromine concentration in the fraction is known to be >2000 ppm, or expected to be >2000 ppm, or if it is not declared. Concentrations of bromine <2000 ppm are acceptable for reuse and do not require separation, so that the re-use and recycling of components or whole appliances is not hindered per Annex II, Section 3 of the WEEE Directive (2002/96/EU), and Annex VII, Section 3 of the WEEE Directive (2012/19/EU).

Section 5: Supplies

- LCD > 100 cm²
- PCBs > 10 cm²
- Printer components containing Brominated flame retardants
- Battery

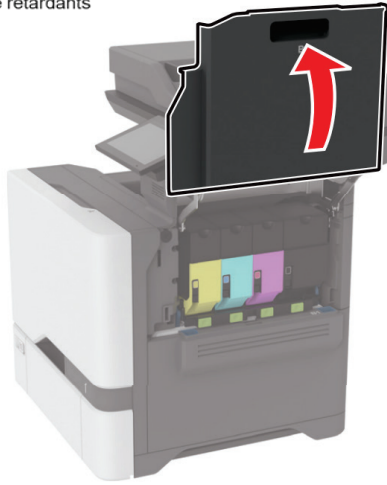


Figure 5.1: Toner Cartridge (4X)

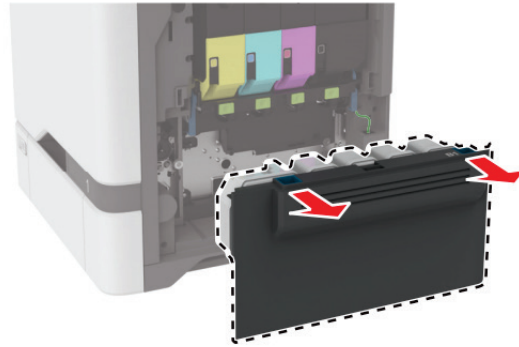


Figure 5.2: Waste toner bottle



Figure 5.3: Imaging Unit (2X – 1 mono, 1 color combo)

Table 5: Supplies – Printed Circuit Boards >10cm² and Plastic with Brominated flame retardants

Item	Description
--	None
Table Component Count (without options)	
LCD>100cm ²	= 0
PCBs>10cm ²	= 0
BFR Plastics	= 0
Battery	= 0

Section 6: Control Panel

- LCD > 100 cm²
- PCBs > 10 cm²
- Printer components containing Brominated flame retardants
- Battery

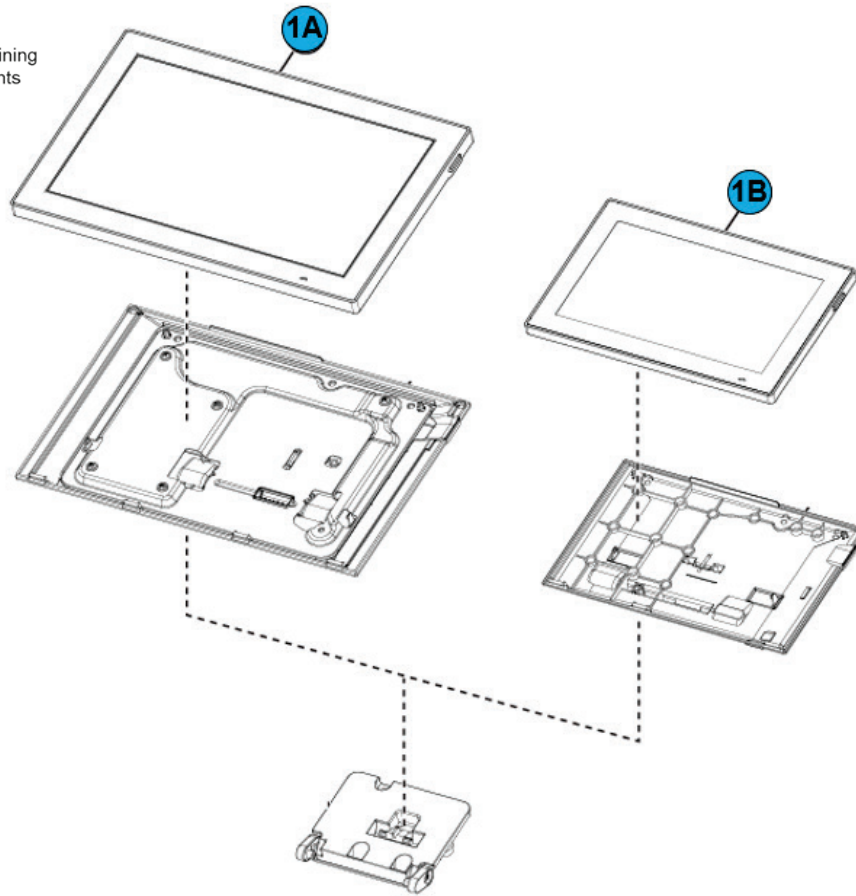


Figure 6.1: Control Panel

Table 6: Control Panel - Printed Circuit Boards >10cm² and Plastic with Brominated flame retardants

Item	Description
1A	10 in. Control panel display assembly
1B	7 in. Control panel display assembly

Table Component Count (without options)

LCD>100cm² = 1
 PCBs>10cm² = 0
 BFR Plastics = 0
 Battery = 0

Section 7: Imaging ADF

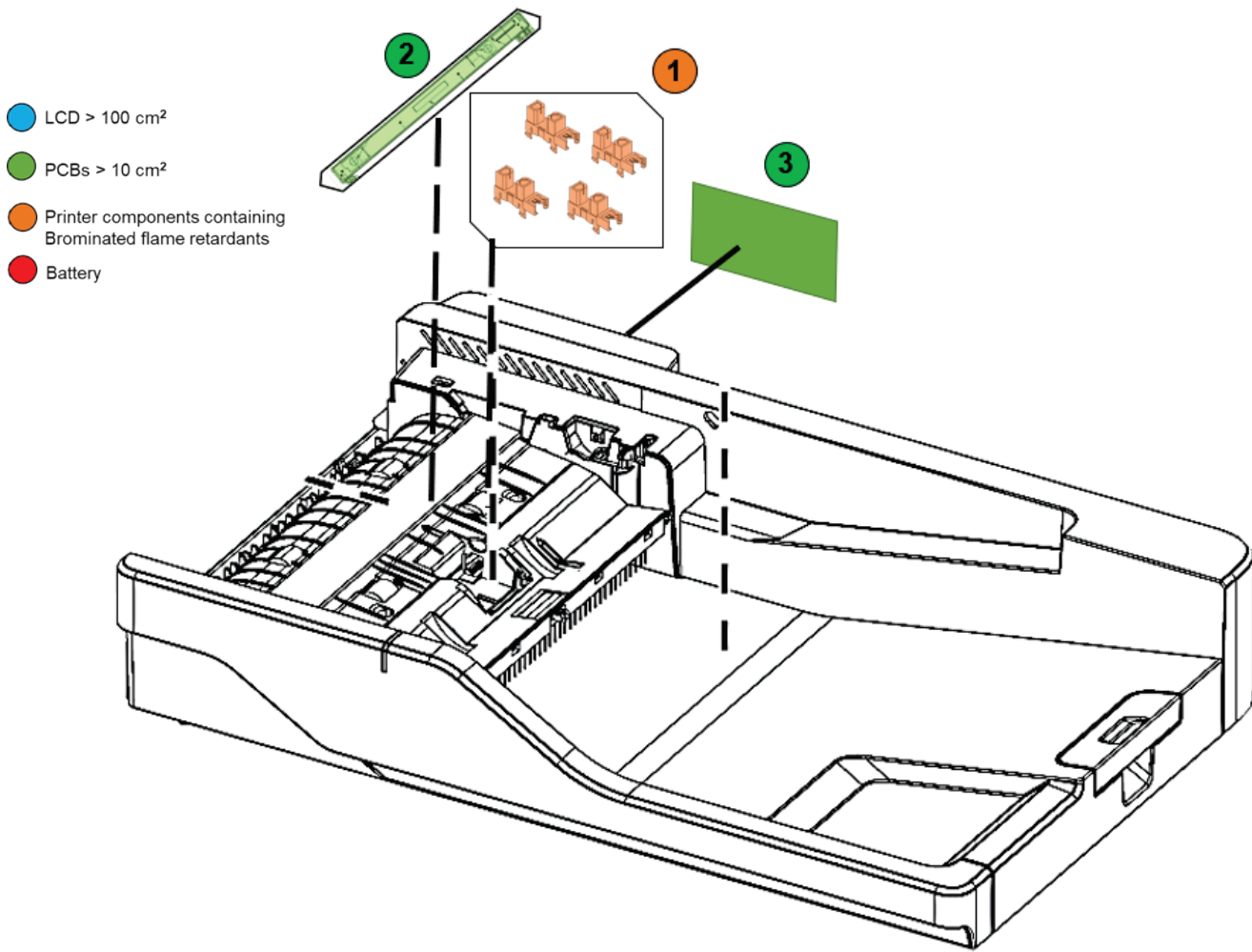


Figure 7.1: Imaging ADF

Table 7: Imaging ADF - Printed Circuit Boards >10cm² and Brominated Plastic Components

Item	Description
1	ADF sensors (Photo) x 4
2	ADF CIS Scanbar
3	PCBA within the ADF assembly

Table Component Count (without options)

LCD>100cm ²	= 0
PCBs>10cm ²	= 2
BFR Plastics	= 4
Battery	= 0

Section 8: Flatbed Scanner

- LCD > 100 cm²
- PCBs > 10 cm²
- Printer components containing Brominated flame retardants
- Battery

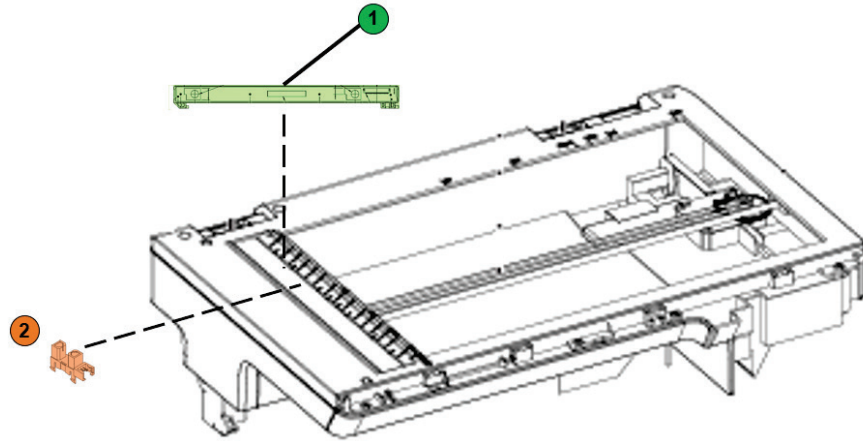


Figure 8.1: Imaging ADF

Table 8: Imaging ADF - Printed Circuit Boards >10cm² and Plastic with Brominated flame retardants

Item	Description
1	CIS Scanbar PCBA within Flatbed scanner frame
2	Image sensor within Flatbed scanner assembly

Table Component Count (*without options*)

LCD>100cm² = 0
 PCBs>10cm² = 1
 BFR Plastics = 1
 Battery = 0

Section 7: Fuser

- LCD > 100 cm²
- PCBs > 10 cm²
- Printer components containing Brominated flame retardants
- Battery

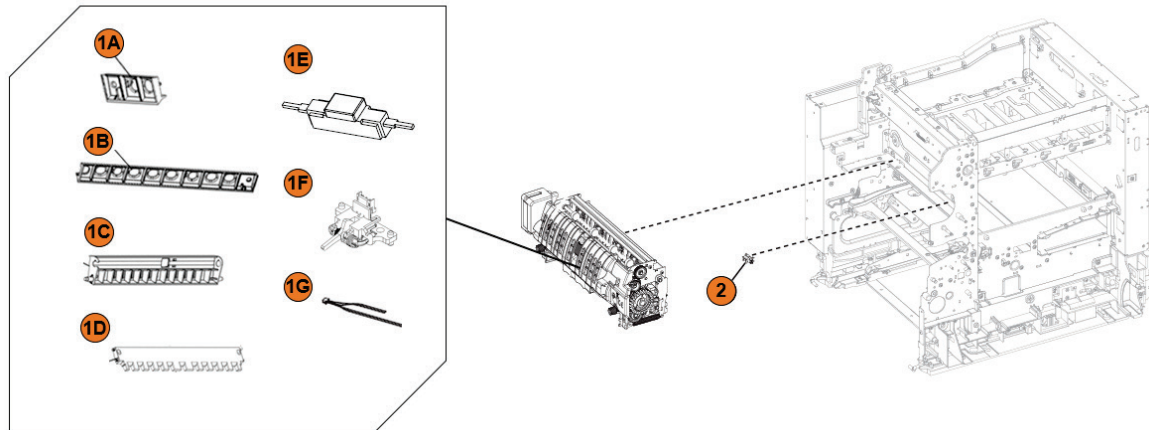


Figure 7.1: Fuser

Table 7: Fuser- Printed Circuit Boards >10cm² and Plastic with Brominated flame retardants

Item	Description
1A	40C0566 - BUR SIDE EXIT DS
1B	40C0567 - BUR SIDE EXIT NDS
1C	40C0568 - BELT SIDE EXIT
1D	40C0569 - ENTRY
1E	Sensor (Fuser)
1F	Sensor (Exit)
1G	Sensor (Thermistor)
2	Sensor (fuser nip)

Table Component Count (*without options*)

LCD>100cm² = 0
 PCBs>10cm² = 0
 BFR Plastics = 8
 Battery = 0

Section 8: Paper Feed

- LCD > 100 cm²
- PCBs > 10 cm²
- Printer components containing Brominated flame retardants
- Battery

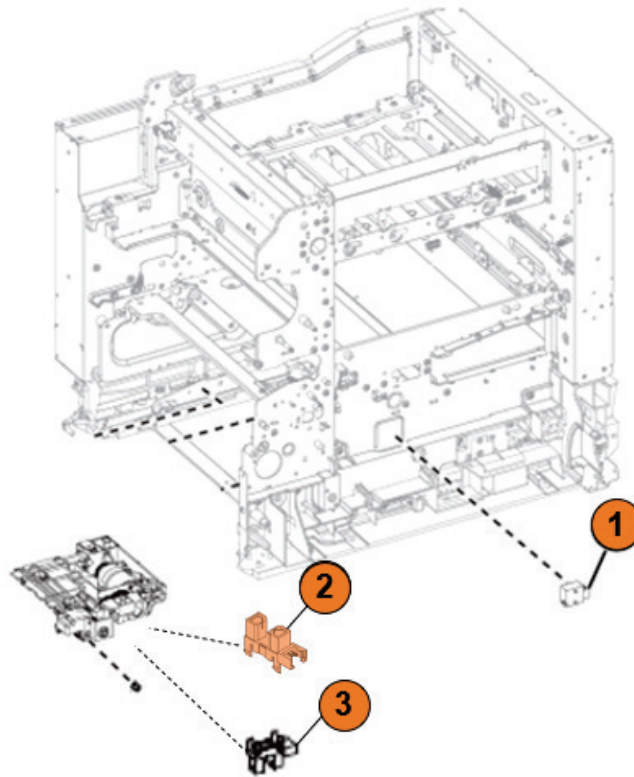


Figure 8.1: Paper Feed

Table 8: Paper Feed - Printed Circuit Boards >10cm² and Plastic with Brominated flame retardants

Item	Description
1	Sensor (paper size)
2	Sensor (Index)
3	Sensor (photo)

Table Component Count (without options)

LCD>100cm² = 0
 PCBs>10cm² = 0
 BFR Plastics = 3
 Battery = 0

Section 9: Paper Path 1

- LCD > 100 cm²
- PCBs > 10 cm²
- Printer components containing Brominated flame retardants
- Battery

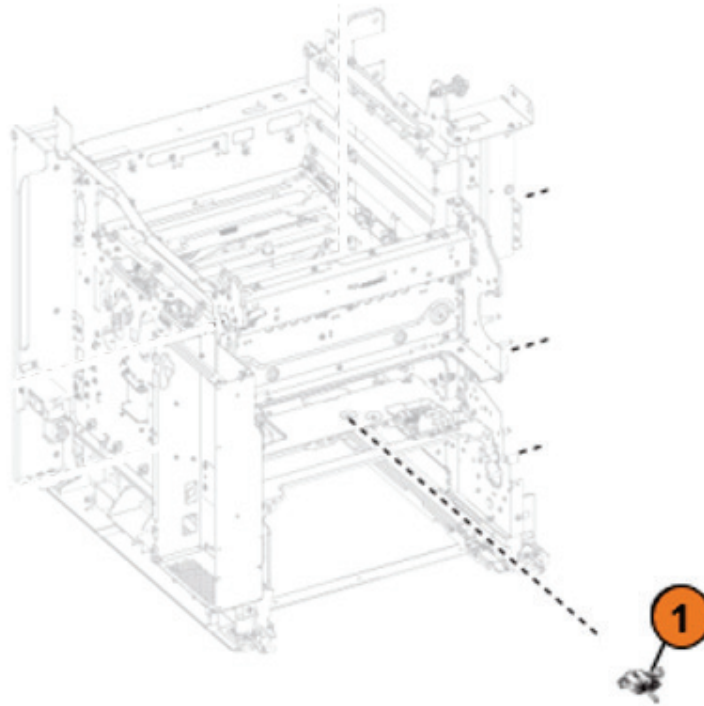


Figure 9.1: Paper Path 1

Table 9: Paper Path 1 - Printed Circuit Boards >10cm² and Plastic with Brominated flame retardants

Item	Description
1	Sensor (input)

Table Component Count (*without options*)

LCD>100cm² = 0
 PCBs>10cm² = 0
 BFR Plastics = 1
 Battery = 0

Section 10: Paper Path 2

- LCD > 100 cm²
- PCBs > 10 cm²
- Printer components containing Brominated flame retardants
- Battery

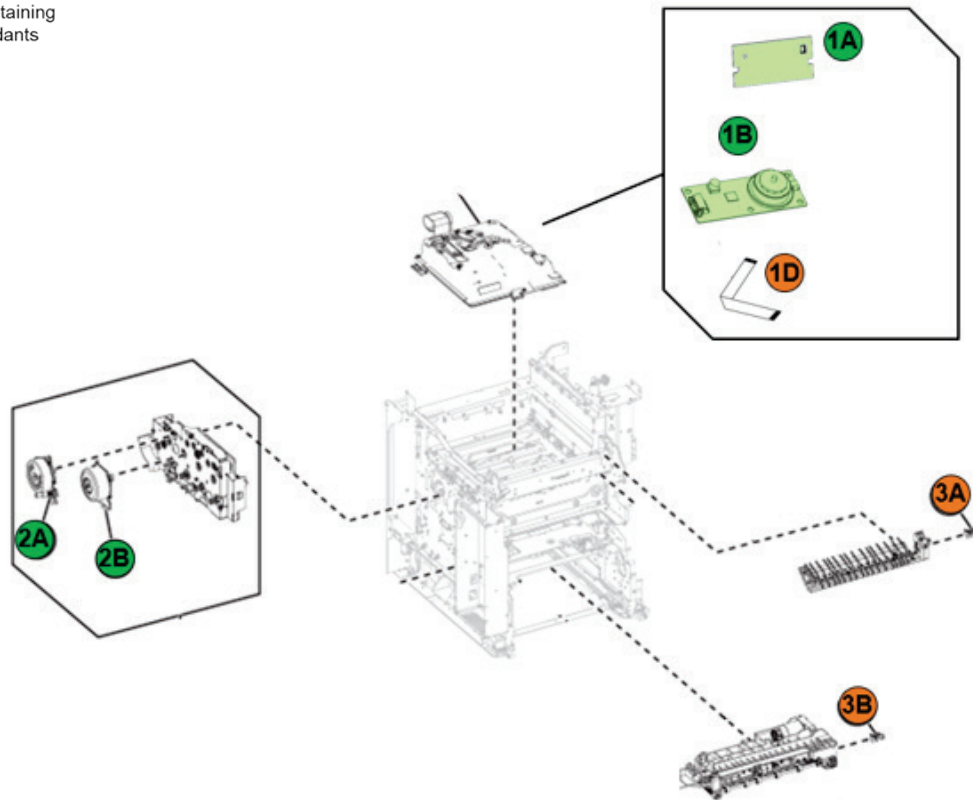


Figure 10.1: Paper Path 2

Table 10: Paper Path 2 - Printed Circuit Boards >10cm² and Plastic with Brominated flame retardants

Item	Description
1A	Printhead PCBA
1B	Printhead motor driver
1D	Printhead tape
2A	Toner Motor
2B	Transfebelt Motor
3A	Sensor (redrive)
3B	Sensor (Passthrough)

Table Component Count (without options)

LCD>100cm² = 0
 PCBs>10cm² = 4
 BFR Plastics = 3
 Battery = 0

Section 11: Duplex

- LCD > 100 cm²
- PCBs > 10 cm²
- Printer components containing Brominated flame retardants
- Battery

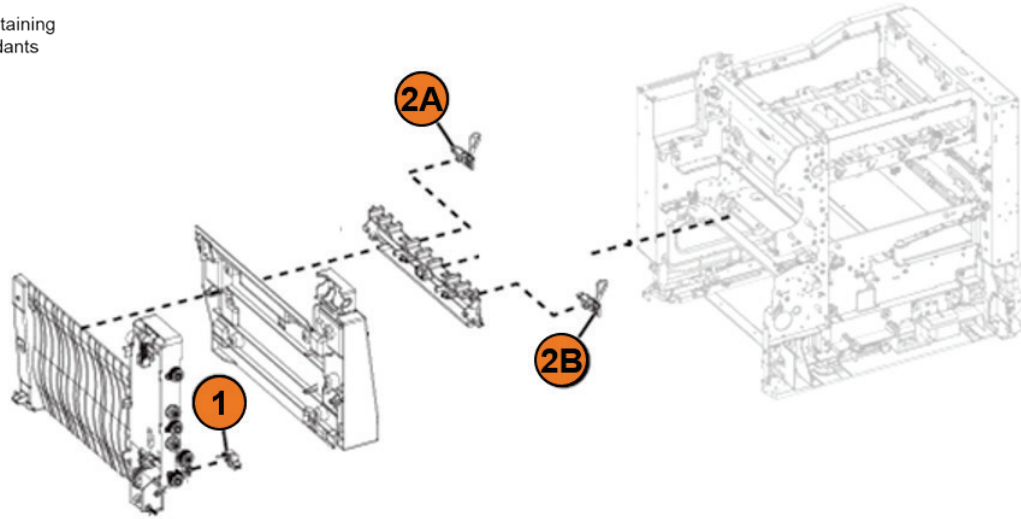


Figure 11.1: Duplex

Table 11: Duplex - Printed Circuit Boards >10cm² and Plastic with Brominated flame retardants

Item	Description
1	Sensor (duplex staging)
2A	Sensor (fuser buckle)
2B	Sensor (Narrow media)

Table Component Count (without options)

LCD>100cm² = 0
 PCBs>10cm² = 0
 BFR Plastics = 3
 Battery = 0

Section 12: Electronics

- LCD > 100 cm²
- PCBs > 10 cm²
- Printer components containing Brominated flame retardants
- Battery

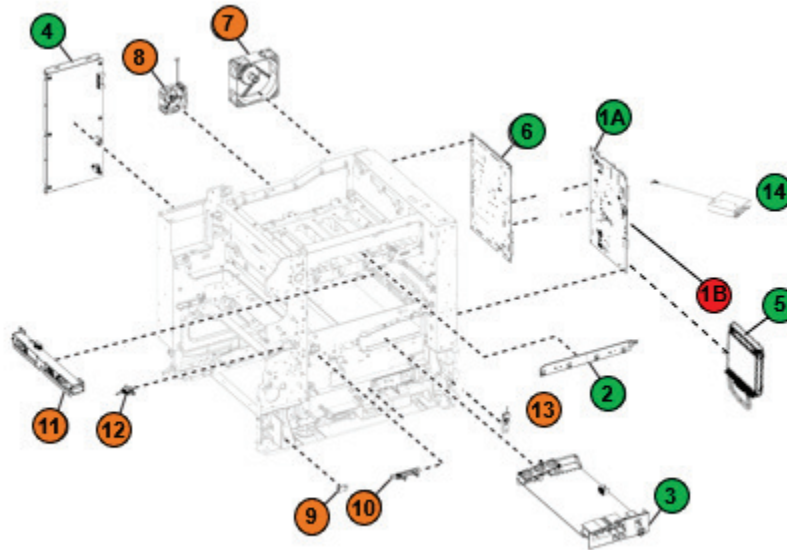


Figure 12.1: Electronics

Table 12: Electronics - Printed Circuit Boards >10cm² and Plastic with Brominated flame retardants

Item	Description
1A	Controller board
1B	Battery
2	TMC card
3	High voltage power supply
4	Low voltage power supply
5	Hard drive
6	Engine Board
7	Fuser fan
8	Main fan
9	Sensor (MPF paper present)
10	Sensor (waste toner)
11	Sensor (TPS)
12	Sensor (input)
13	Weather station
14	Fax card

Table Component Count (without options)

LCD>100cm² = 0
 PCBs>10cm² = 7
 BFR Plastics = 7
 Battery = 1

Section 13: For Reference Only (Customer Replaceable Paper handling devices)

- LCD > 100 cm²
- PCBs > 10 cm²
- Printer components containing Brominated flame retardants
- Battery



Figure 13.1: Customer Replaceable Paper Handling Devices

Table 13: For Reference Only (Customer Replaceable Paper Handling Devices)	
Item	Description
1	550-sheet tray
2	Adjustable printer stand*
Options marked with (*) are non-Electrical and electronic units	

Section 14: 550 Handling Options

- LCD > 100 cm²
- PCBs > 10 cm²
- Printer components containing Brominated flame retardants
- Battery

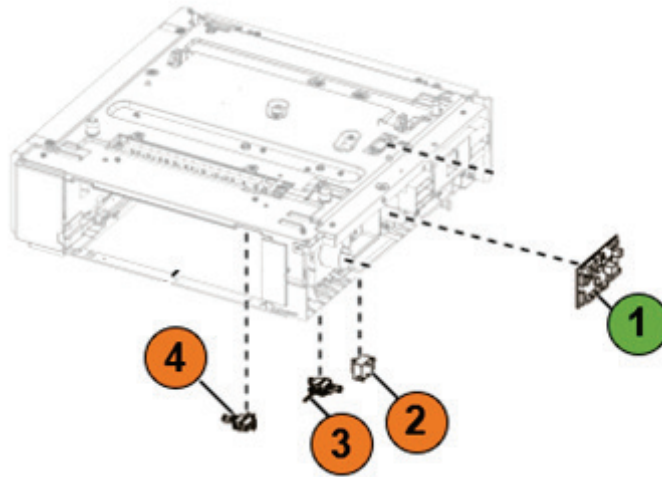


Figure 14.1: 550 Paper Handling Option

Table 14: 550 Paper Handling Option - Printed Circuit Boards >10cm² and Plastic with Brominated flame retardants

Item	Description
1	550-sheet tray controller board
2	Sensor (550-sheet tray paper size)
3	Sensor (550-sheet tray trailing edge)
4	Sensor (550-sheet tray passthrough)

Table Component Count (*without options*)

LCD>100cm² = 0
 PCBs>10cm² = 0
 BFR Plastics = 0
 Battery = 0

Section 15: Stapler Option

- LCD > 100 cm²
- PCBs > 10 cm²
- Printer components containing Brominated flame retardants
- Battery

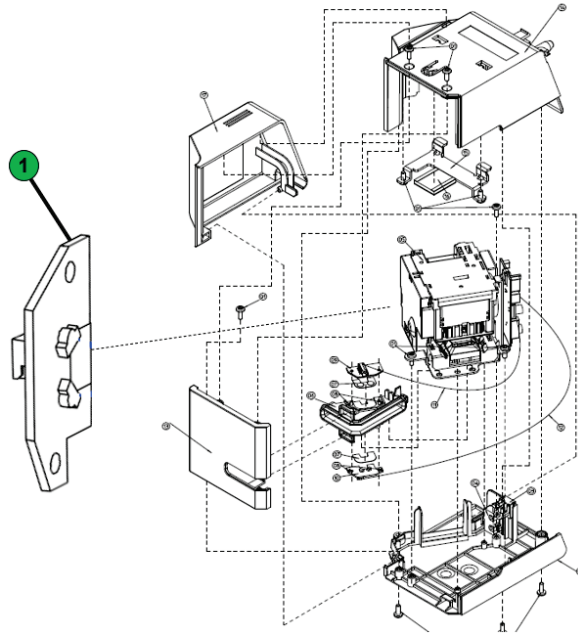


Figure 15.1: Stapler Option

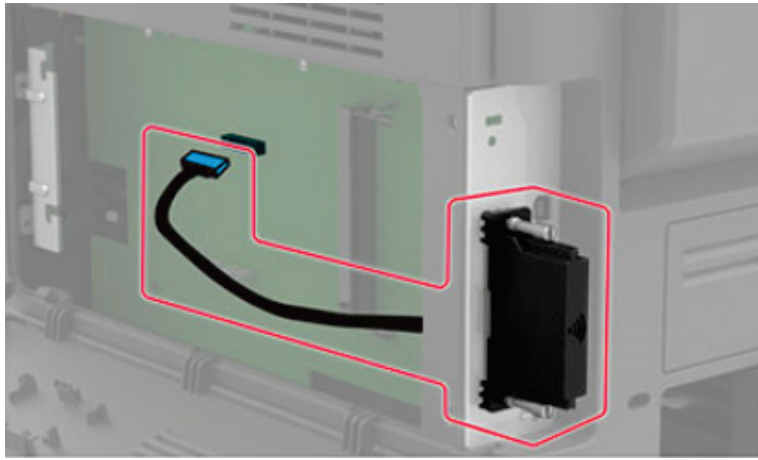
Table 15: Stapler Option – Printed Circuit Boards >10cm² and Plastic with Brominated flame retardants

Item	Description
1	Staple Assy PCBA

Table Component Count (*without options*)

LCD>100cm² = 0
 PCBs>10cm² = 0
 BFR Plastics = 0
 Battery = 0

Section 13: For Reference Only (Customer Replaceable External Card Options)



External Print Servers¹

Note 1: Illustration shows actual options and their typical locations and mounting at the side of the printer. However, this does not show the actual printer model.

Annex A – Printer components with Brominated^S Flame Retardants

Item	Description	Parts Marking	Qty	CX730	CX735	Location
1	ADF sensor (photo)	N/A	4	X	X	Imaging ADF
2	Image Sensor	N/A	1	X	X	Flatbed scanner
3	40C0566 - BUR SIDE EXIT DS	PET-(GF+MD)40 FR(17)	1	X	X	Fuser
4	40C0567 - BUR SIDE EXIT NDS	PET-(GF+MD)40 FR(17)	1	X	X	Fuser
5	40C0568 - BELT SIDE EXIT	PET-(GF+MD)40 FR(17)	1	X	X	Fuser
6	40C0569 – ENTRY	PET-(GF+MD)40 FR(17)	1	X	X	Fuser
7	Sensor (Fuser)	N/A	1	X	X	Fuser
8	Sensor (Exit)	N/A	1	X	X	Fuser
9	Sensor (Thermistor)	N/A	1	X	X	Fuser
10	Sensor (fuser nip)	N/A	1	X	X	Fuser
11	Sensor (Paper size)	N/A	1	X	X	Paper Feed
12	Sensor (Index)	N/A	1	X	X	Paper Feed
13	Sensor (photo)	N/A	1	X	X	Paper Feed
14	Sensor (Input)	N/A	1	X	X	Paper path 1
15	Printhead tape	N/A	1	X	X	Paper path 2
16	Sensor (redrive/ passthrough)	N/A	2	X	X	Paper path 2
17	Sensor (Duplex staging)	N/A	1	X	X	Duplex
18	Sensor (fuser buckle/ narrow media)	N/A	2	X	X	Duplex
19	Fuser fan	N/A	1	X	X	Electronics
20	Main Fan	N/A	1	X	X	Electronics
21	Sensor (MPF paper present)	N/A	1	X	X	Electronics
22	Sensor (waste toner)	N/A	1	X	X	Electronics
23	Sensor (TPS)	N/A	1	X	X	Electronics
24	Sensor (input)	N/A	1	X	X	Electronics
25	Weather station	N/A	1	X	X	Electronics
26	Sensor (550-sheet tray paper size)	N/A	1	optional	optional	550 Handling option
27	Sensor (550-sheet tray trailing edge)	N/A	1	optional	optional	550 Handling option
28	Sensor (550-sheet tray passthrough)	N/A	1	optional	optional	550 Handling option
Minimum Count (without options) =			30			

Annex B – Printed Circuit Boards >10cm²

Item	Description	Qty	CX730	CX735	Location
1	ADF CIS Scanbar	1	X	X	Imaging ADF
2	PCBA within the ADF assembly	1	X	X	Imaging ADF
3	CIS Scan bar	1	X	X	Flatbed Scanner
4	Printhead PCBA	1	X	X	Paper path 2
5	Printhead motor driver	1	X	X	Paper path 2
6	Toner Motor	1	X	X	Paper path 2
7	Transfebelt Motor	1	X	X	Paper path 2
8	Controller board	1	X	X	Electronics
9	TMC card	1	X	X	Electronics
10	High voltage power supply	1	X	X	Electronics
11	Low voltage power supply	1	X	X	Electronics
12	Engine board	1	X	X	Electronics
13	Hard drive	1	X	X	Electronics
14	Fax card	1	X	X	Electronics
15	550-sheet tray controller board	1	optional	optional	550 Handling option
16	Staple	1	optional	optional	Staple option
Minimum Count (without options) =		14			

Annex C – Electrical and Electronic (EE) Customer Replaceable Paper handling devices

Item	PN	Description	CX73x	Locations
1	40C2100	550-sheet tray	X	Paper handling devices
2	47C4500	Convenience Stapler	X	Stapler option

Annex D – Electrical and Electronic (EE) Customer Replaceable Internal/ External Card Options

Item	PN	Description	CX73x	Locations
1	27X0400	500GB+ SATA Hard Disk Drive	X	Attached to Controller board
2	57X9528	Intelligent Storage Drive (ISD)		
3	27X0823	MarkNet N8370 802.11 a/b/g/n/ac Wireless Print Server Backpack Kit	X	External option
4	57X0070	Removable External HDD Kit (Pod Only, HDD not included)		