

Disassembly of Waste Electrical and Electronic Equipment (WEEE) Manual

EU Waste Electronic and Electrical Equipment Directive require producers to provide information of the different electronic and electrical materials and components found in their products at its end-of-life, and disassembly references to treatment and recycling facilities.

1. Product information
2. Materials and components list for selective treatment
3. Disassembly tools
4. Disassembly references

The following information is intended only for the use of recognized treatment and recycling facilities.

Section 1: Product information

Model name(s) — The product models are group together in series and are mechanically equivalent.

Lexmark MX432
MX432adwe, XM3142

Section 2: Materials and components list for selective treatment

Table 2: Materials and components list for selective treatment

Description	Count	Notes
Polychlorinated biphenyls (PCB) containing capacitors	0	N/A
Mercury containing components, such as switches or backlighting lamps	0	N/A
Batteries	1	***** <u>Total Count = 1</u> ***** Lithium Manganese Oxide coin cell located on the Controller card
Printed circuit boards greater than 10 cm ²	multiple	***** <u>Minimum Count = 9</u> ***** For details, see Annex B ***** <u>Options:</u> 1 – 550 Sheet Tray ***** Note: Fax is standard for MX-B427W
Toner cartridges, liquid and pasty, as well as colour toner	2	1 – Toner cartridge 1 – Imaging unit
<u>Plastic component(s)</u> that may contain BFR (brominated [§] flame retardants)	multiple	***** <u>Minimum count= 16</u> ***** For details, See Annex A ***** <u>Options:</u> <u>+2</u> – for each 550 Paper handling *****
Note (§) - This product may contain plastic parts with brominated flame retardants. Recycler should treat these parts separately. See section 4.3 Disclaimer.		
Asbestos waste and components which contain asbestos	0	N/A
Cathode ray tubes	0	N/A
Chlorofluorocarbons (CFC), Hydrochlorofluorocarbons (HCFC) or Hydrofluorocarbons (HFC), Hydrocarbons (HC)	0	N/A
Gas discharge lamps	0	N/A
Liquid Crystal Display (LCD) greater than 100 cm ² and those back-lighted with Gas discharge lamps	0	N/A
External electrical cables	1	Power cord located on the back lower left quadrant
Components containing refractory fibres	0	N/A
Components containing radioactive substances	0	N/A
Electrolyte capacitors containing substances of concern (<i>capacitors with height > 25 mm, diameter > 25 mm or proportionately similar volume</i>)	1	Capacitor located on Power Supply
Electrical and Electronic (EE) Customer Replaceable Paper handling devices	multiple	See Customer Replaceable Paper handling devices For details, See Annex C
Electrical and Electronic (EE) Customer Replaceable Internal/External Card options	multiple	See External Card options For details, See Annex D

Section 3: Common Tools for Disassembly

Table 3.1 - Disassembly tools

Item	Description
1	#2 Phillips screwdriver, magnetic
2	Wire cutter
3	E-clip puller or small flat-head screwdriver
4	Standard slotted head screwdriver





Section 4: Disassembly references

4.1 Removal procedure(s)

WEEE materials and components removal procedures are available upon request.

Please Contact: recycling@lexmark.com

4.2 Graphical illustration of material's and component's location

-  LCD > 100 cm²
-  PCBs > 10 cm²
-  Printer components containing Brominated flame retardants
-  Battery

Please note: Graphic illustrations contained in this document may differ slightly from actual components

4.3 Disclaimer

Statement on WEEE Bromine Levels

Manufacturer is compliant with the European Directive 2012/19/EU and European Commission's mandated technical specification CLC/TS 50625-3-1:2015 stating that plastic containing brominated flame retardants (BFR) must be removed from any separately collected WEEE (Article 8, Annex VII) if total bromine concentration in the fraction is known to be >2000 ppm, or expected to be >2000 ppm, or if it is not declared. Concentrations of bromine <2000 ppm are acceptable for reuse and do not require separation, so that the re-use and recycling of components or whole appliances is not hindered per Annex II, Section 3 of the WEEE Directive (2002/96/EU), and Annex VII, Section 3 of the WEEE Directive (2012/19/EU).

Section 5: Supplies

- LCD > 100 cm²
- PCBs > 10 cm²
- Printer components containing Brominated flame retardants
- Battery



Figure 5.1: Toner Cartridge

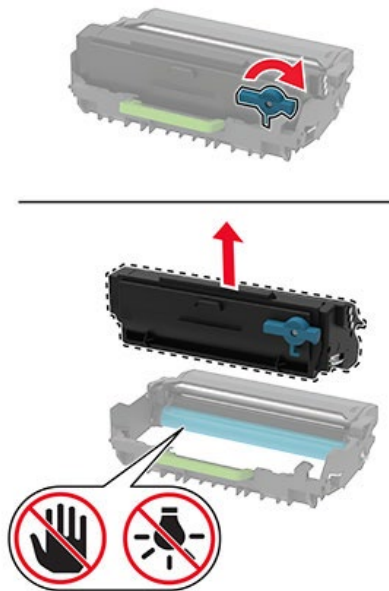


Figure 5.2: Imaging Unit

Table 6: Supplies – Printed Circuit Boards >10cm² and Plastic with Brominated flame retardants

Item	Description
--	None
Table Component Count (without options)	
LCD>100cm ²	= 0
PCBs>10cm ²	= 0
BFR Plastics	= 0
Battery	= 0

Section 6: Control Panel

- LCD > 100 cm²
- PCBs > 10 cm²
- Printer components containing Brominated flame retardants
- Battery

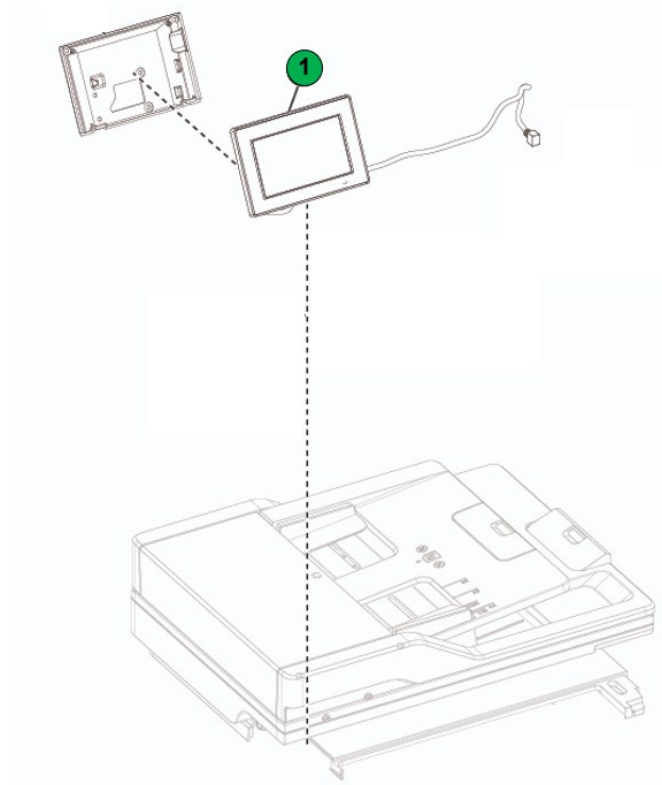


Figure 6.1: 2.8"LCD Control Panel

Table 6: Control Panel - Printed Circuit Boards >10cm² and Plastic with Brominated flame retardants	
Item	Description
1	4.3 in LCD Control panel board in Control panel assembly
Table Component Count (without options)	
LCD>100cm ² = 0	
PCBs>10cm ² = 1	
BFR Plastics = 0	
Battery = 0	

Section 7: Scanner

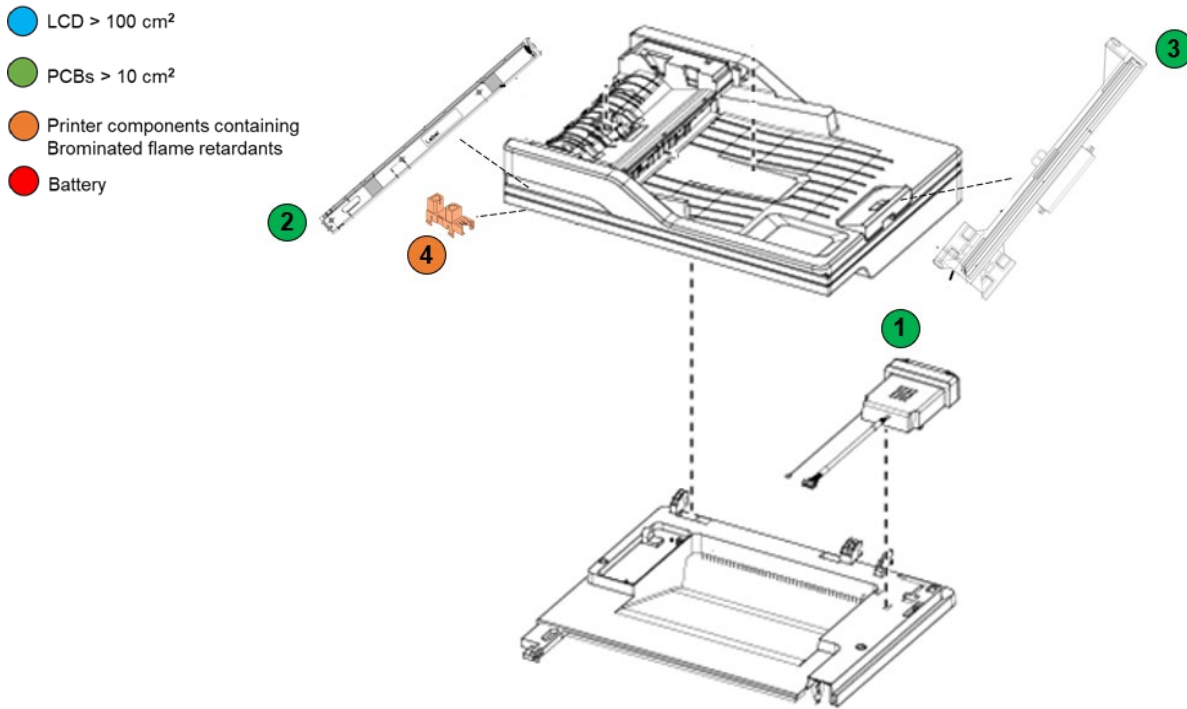


Figure 7.1: Imaging ADF

Table 7: Scanner - Printed Circuit Boards >10cm² and Brominated Plastic Components

Item	Description
1	Fax Card
2	CIS Image sensor ADF within ADF Scanner
3	CIS Image sensor Flatbed within Flatbed scanner assembly
4	Sensor:ADF

Table Component Count (without options)

LCD>100cm ²	= 0
PCBs>10cm ²	= 3
BFR Plastics	= 1
Battery	= 0

Section 8: Electronics

- LCD > 100 cm²
- PCBs > 10 cm²
- Printer components containing Brominated flame retardants
- Battery

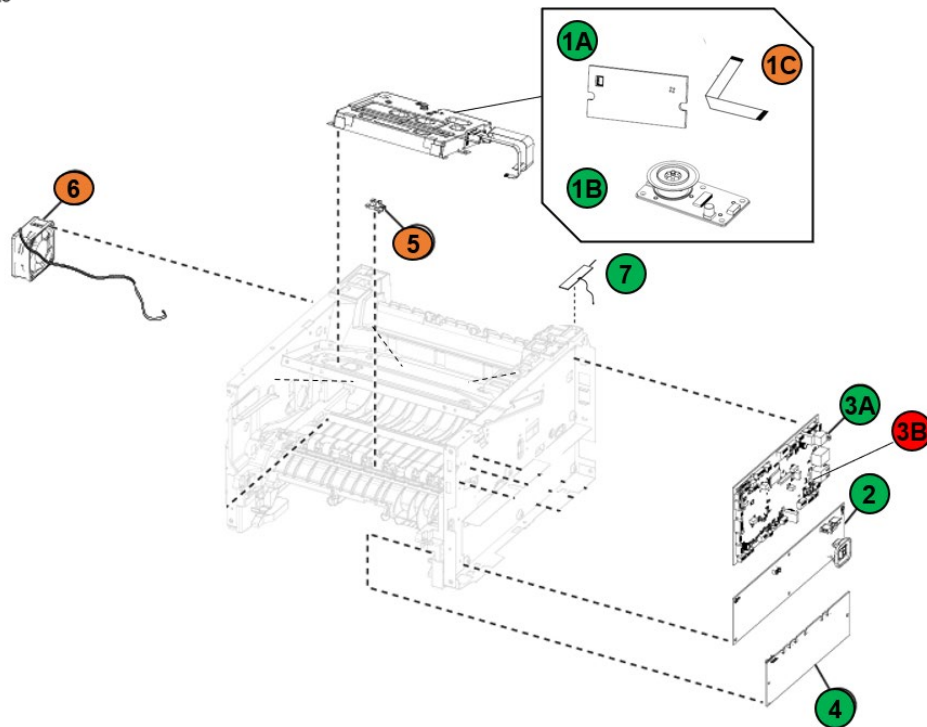


Figure 8.1: Electronics

Table 9: Electronics - Printed Circuit Boards >10cm² and Plastic with Brominated flame retardants

Item	Description
1A	Printhead PCBA
1B	Printhead Driver PCBA
1C	PrintheadTape
2	LVPS
3A	Controller board
3B	Battery
4	HVPS
5	Sensor (input) 2x
6	Main fan
7	Wireless card

Table Component Count (without options)

LCD>100cm² = 0
 PCBs>10cm² = 6
 BFR Plastics = 3
 Battery = 1

Section 9: Fuser

- LCD > 100 cm²
- PCBs > 10 cm²
- Printer components containing Brominated flame retardants
- Battery

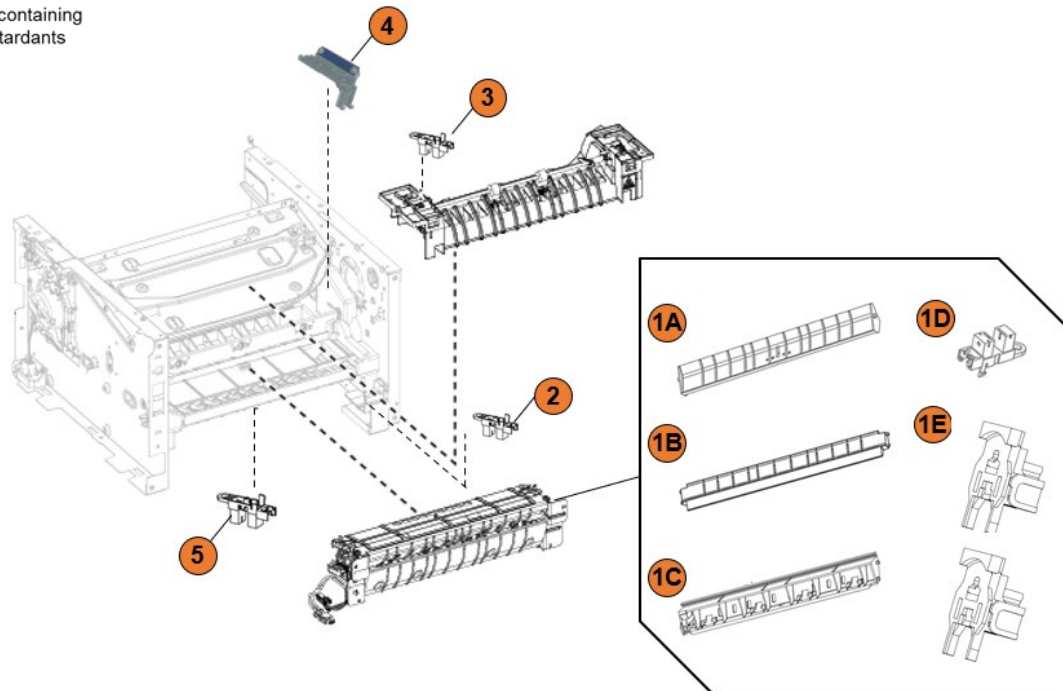


Figure 9.1: Fuser

Table 9: Fuser - Printed Circuit Boards >10cm² and Plastic with Brominated flame retardants

Item	Description
1A	Guide - Lower Exit
1B	Guide - Entry
1C	Guide - Upper Exit
1D	Sensor Photo Interrupter
1E	Edge aligner guide (2x)
2	Sensor (input)
3	Sensor (Bin full)
4	Sensor (TDS)
5	Sensor (Photo)

Table Component Count (without options)

LCD>100cm² = 0
 PCBs>10cm² = 0
 BFR Plastics = 10
 Battery = 0

Section 10: 550-sheet optional tray

- LCD > 100 cm²
- PCBs > 10 cm²
- Printer components containing Brominated flame retardants
- Battery

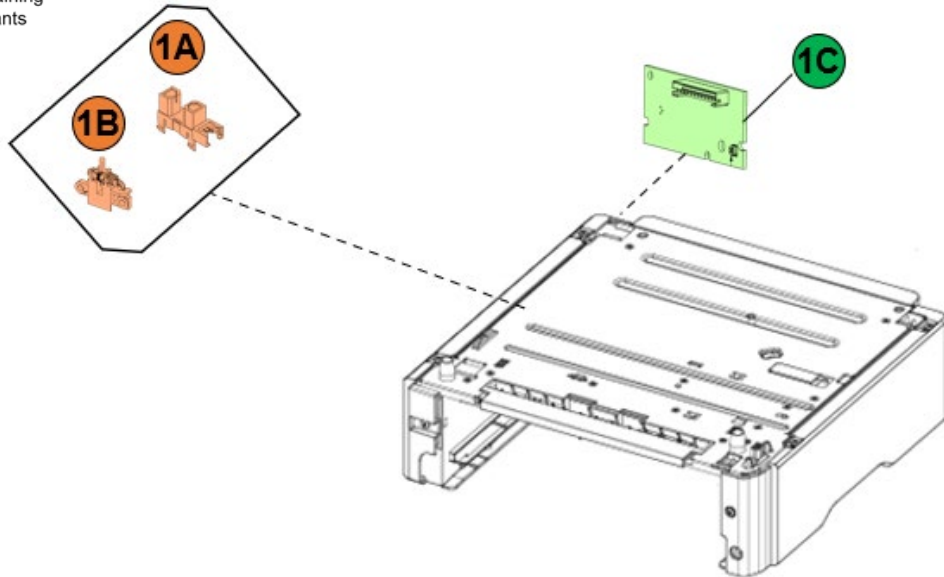


Figure 10.1: 550 sheet optional tray

Table 10: 550 sheet optional tray - Printed Circuit Boards >10cm² and Plastic with Brominated flame retardants

Item	Description
1A	Sensor (photo interrupt)
1B	Sensor (Trailing edge)
1C	Optional PHO cardt

Table Component Count (*without options*)

LCD>100cm² = 0
 PCBs>10cm² = 0
 BFR Plastics = 0
 Battery = 0

Annex A – Printer components with Brominated^S Flame Retardants

Item	Description	Parts Marking	Qty	MX432	Location
1	Main fan	N/A	1	X	Electronics
2	Printhead tape	N/A	1	X	Electronics
3	Sensor (input)	N/A	2	X	Electronics
4	Main fan	N/A	1	X	Electronics
5	Guide - Lower Exit	PET (GF+MD) 4	1	X	Fuser
6	Guide – Entry	PET (GF+MD) 4	1	X	Fuser
7	Guide - Upper Exit	PET (GF+MD) 4	1	X	Fuser
8	Sensor Photo Interrupter	N/A	1	X	Fuser
9	Edge aligner guide (2x)	N/A	2	X	Fuser
10	Sensor (input)	N/A	1	X	Fuser
	Sensor (Bin full)	N/A	1	X	Fuser
	Sensor (TDS)	N/A	1	X	Fuser
	Sensor (Photo)	N/A	1	X	Fuser
11	Sensor: ADF	N/A	1	X	Scanner
12	Sensor (photo interrupt)	N/A	1	optional	550 sheet optional tray
13	Sensor (Trailing edge)	N/A	1	optional	550 sheet optional tray
Minimum Count (without options) =			16		

Annex B – Printed Circuit Boards >10cm²

Item	Description	Qty	MX432	Location
1	Printhead PCBA	1	X	Electronics
2	Printhead driver PCBA	1	X	Electronics
3	LVPS	1	X	Electronics
4	Controller board	1	X	Electronics
5	HVPS	1	X	Electronics
6	Wireless card	1	X	Electronics
7	CIS Image sensor ADF	1	X	Scanner
8	CIS Image sensor Flatbed	1	X	Scanner
9	Fax Card	1	X	Scanner
10	PHO card	1	optional	550 sheet optional tray
Minimum Count (without options) =		9		

Annex C – Electrical and Electronic (EE) Customer Replaceable Paper handling devices

Item	PN	Description	MX432	Locations
1	41X2612	550-sheet tray	X	Paper handling devices

Annex D – Electrical and Electronic (EE) Customer Replaceable Internal/ External Card Options

Item	PN	Description	MX432	Locations
1	27X6410	MarkNet N8372 802.11 a/b/g/n/ac wireless print server (MX431, MB3442, XM1342)	X	Attached to Controller board