

Disassembly of Waste Electrical and Electronic Equipment (WEEE) Manual

EU Waste Electronic and Electrical Equipment Directive require producers to provide information of the different electronic and electrical materials and components found in their products at its end-of-life, and disassembly references to treatment and recycling facilities.

The disassembly information for this product has been prepared for use by a recognized treatment or recycling facility and is not intended to be used by others.

1. Product information
2. Materials and components list for selective treatment
3. Disassembly tools
4. Disassembly references

The following information is intended only for the use of treatment and recycling facilities.

1. Product information

Model name(s)—Indicate all model name(s) within the product family

Model name

Lexmark CS92x series –

Lexmark CS921de/ Lexmark CS927de, Lexmark C9235, Lexmark CS923de

Lexmark CX92x series –

Lexmark CX920de, Lexmark CX921de/ Lexmark CX927de, Lexmark CX922de, Lexmark CX923dte/ Lexmark CX923dxe, Lexmark CX924dte/ Lexmark CX924dxe, Lexmark XC9225, Lexmark XC9235, Lexmark XC9255, Lexmark XC9265

** Add rows as needed*

2. Materials and components list for selective treatment

Items	Quantity	Notes
Polychlorinated biphenyls (PCB) containing capacitors	0	N/A
Mercury containing components, such as switches or backlighting lamps	0	N/A
Batteries	1	Lithium Manganese Dioxide coin cell located on the Controller board

Items	Quantity	Notes
Printed circuit boards greater than 10 cm ²	multiple	9 – Lexmark CS921/ C935/ CS927 13 – Lexmark CS923 15 – Lexmark CX920/ CX921/ XC9225/ XC9235/ CX927 19 – For Lexmark CX922/ CX923/ CX924/ XC9245/ XC9255/ XC9265 + 1 for every Option tray See details in Annex C
Toner cartridges, liquid and pasty, as well as colour toner	5	4 Toner cartridges and 1 Waste toner bottle located inside front cover
Plastic containing brominated flame retardants	multiple	See details in Annex A 75 - See details in Annex B for Paper handling options
Asbestos waste and components which contain asbestos	0	N/A
Cathode ray tubes	0	N/A
Chlorofluorocarbons (CFC), Hydrochlorofluorocarbons (HCFC) or Hydrofluorocarbons (HFC), Hydrocarbons (HC)	0	N/A
Gas discharge lamps	0	N/A
Liquid Crystal Display (LCD) greater than 100 cm ² and those back-lighted with Gas discharge lamps	1	1 for CX92x series
External electrical cables	1	Power cord located on the lower middle portion
Components containing refractory fibres	0	N/A
Components containing radioactive substances	0	N/A
Electrolyte capacitors containing substances of concern (<i>capacitors with height > 25 mm, diameter > 25 mm or proportionately similar volume</i>)	multiple	2 – For Lexmark CS921/ C935/ CS927/ CX920/ CX921/ XC9225/ XC9235/ CX927 4 – For Lexmark CS923/ CX922/ CX923/ CX924/ XC9245/ XC9255/ XC9265 Attached to Low Voltage Power Supply 1 , Power Supply 2
Electrical and Electronic (EE) Customer Replaceable Paper handling devices	5	See details in Annex D
Electrical and Electronic (EE) Customer Replaceable Internal/External Card options	8	See details in Annex E

3. Disassembly tools

Item
#2 Phillips screwdriver, magnetic
Wire cutter
E-clip puller or small flat-head screwdriver
Standard slotted head screwdriver

4. Disassembly references

4.1. Removal procedure(s)

WEEE materials and components removal procedures are available upon request.
Contact: recycling@lexmark.com

4.2. Graphical illustration of material's and component's location

See next page



LCD >100 cm² are identified with cyan-filled boxes



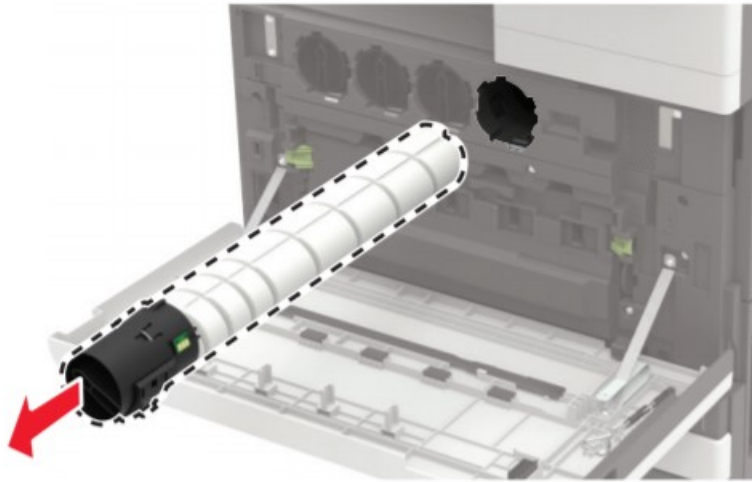
PCBs >10 cm² are identified with green-filled boxes



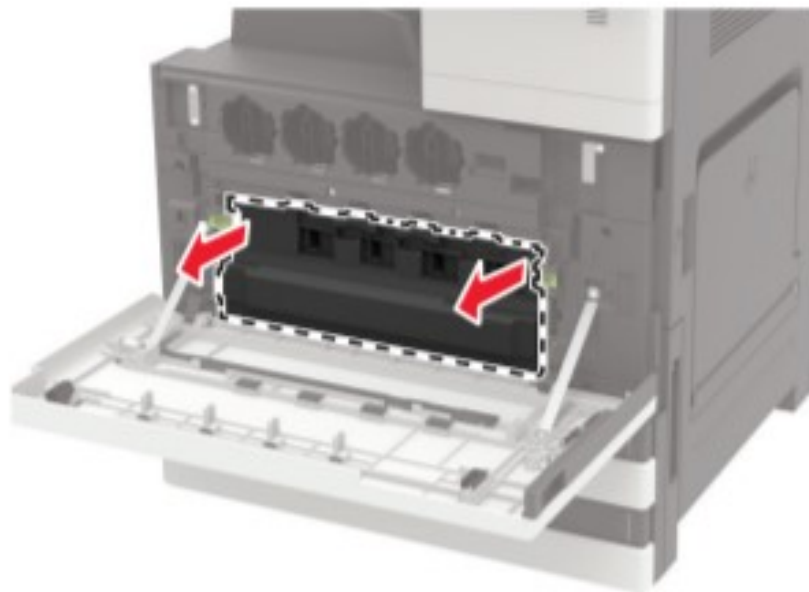
Printer components containing Brominated flame retardants are identified with orange-filled boxes

**CS92x and CX92x Series
Location**

Toner cartridge



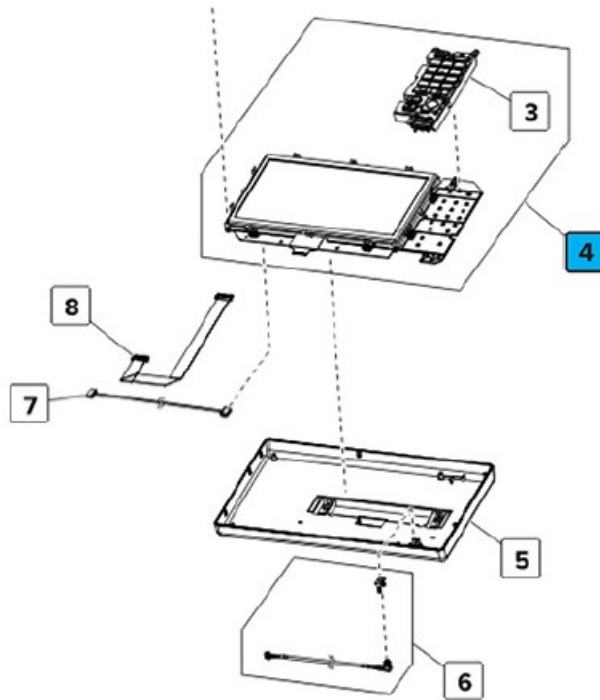
Waste toner bottle



**CX92x Series
Location**

LCD >100 cm²

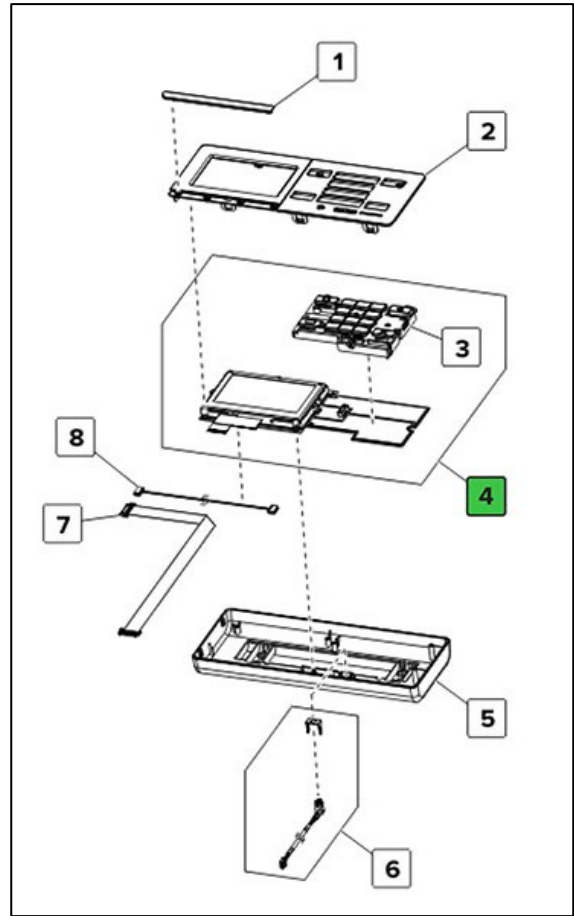
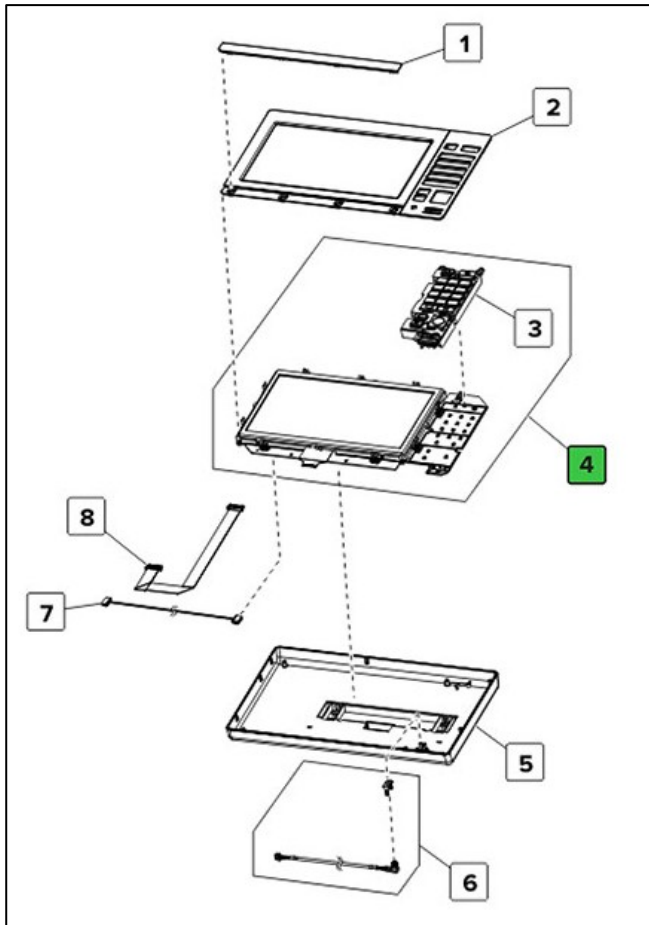
10in. Op panel



CS92x and CX92x Series
Location

Sensors, Printed circuit boards >10cm²

10.1in Op panel / 4.3in Op panel

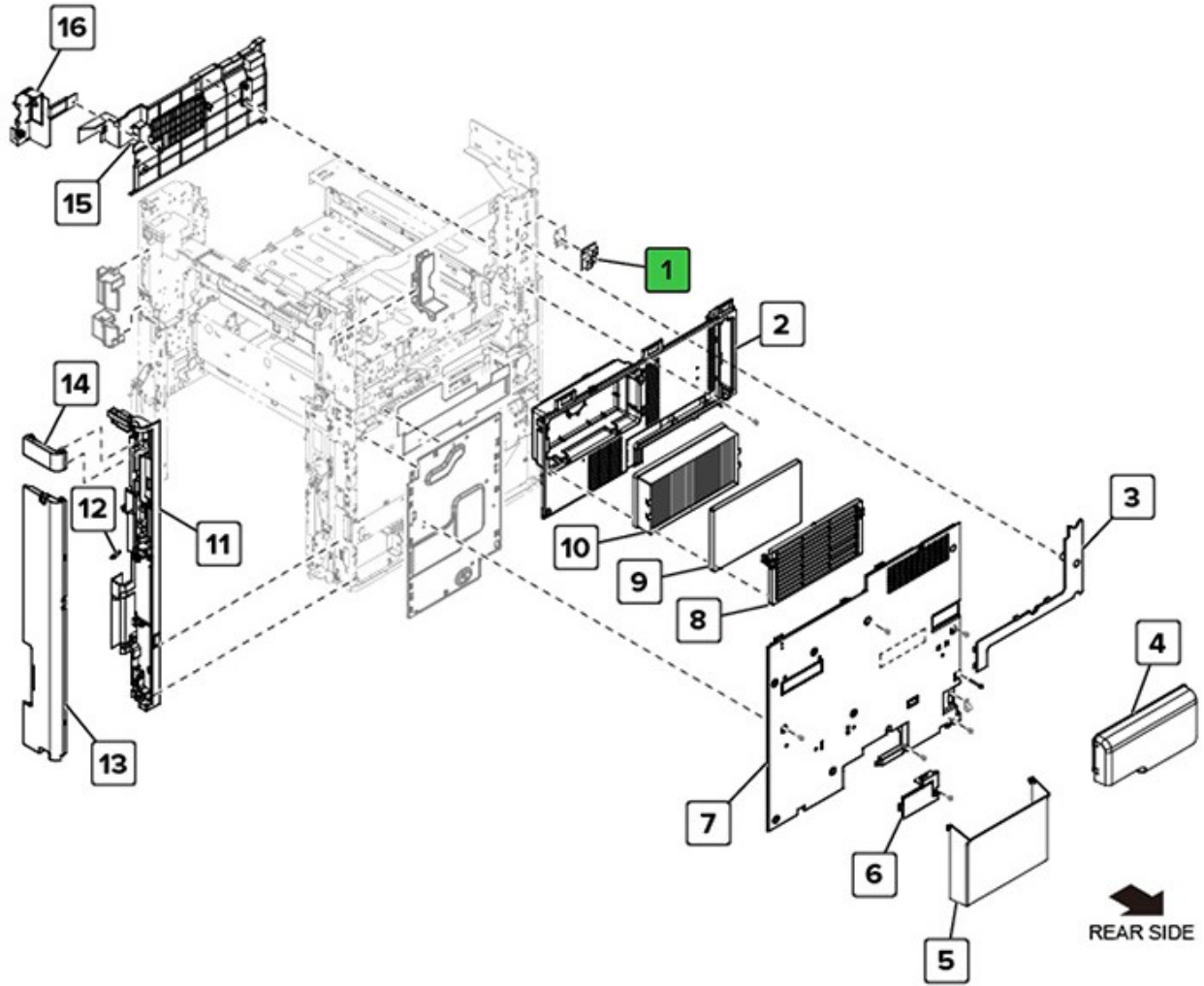


Index	Description
4	Board inside 10.3 in./ 4.3 in control panel

CS92x Series
Location

Sensors, Printed circuit boards >10cm²

Covers 1

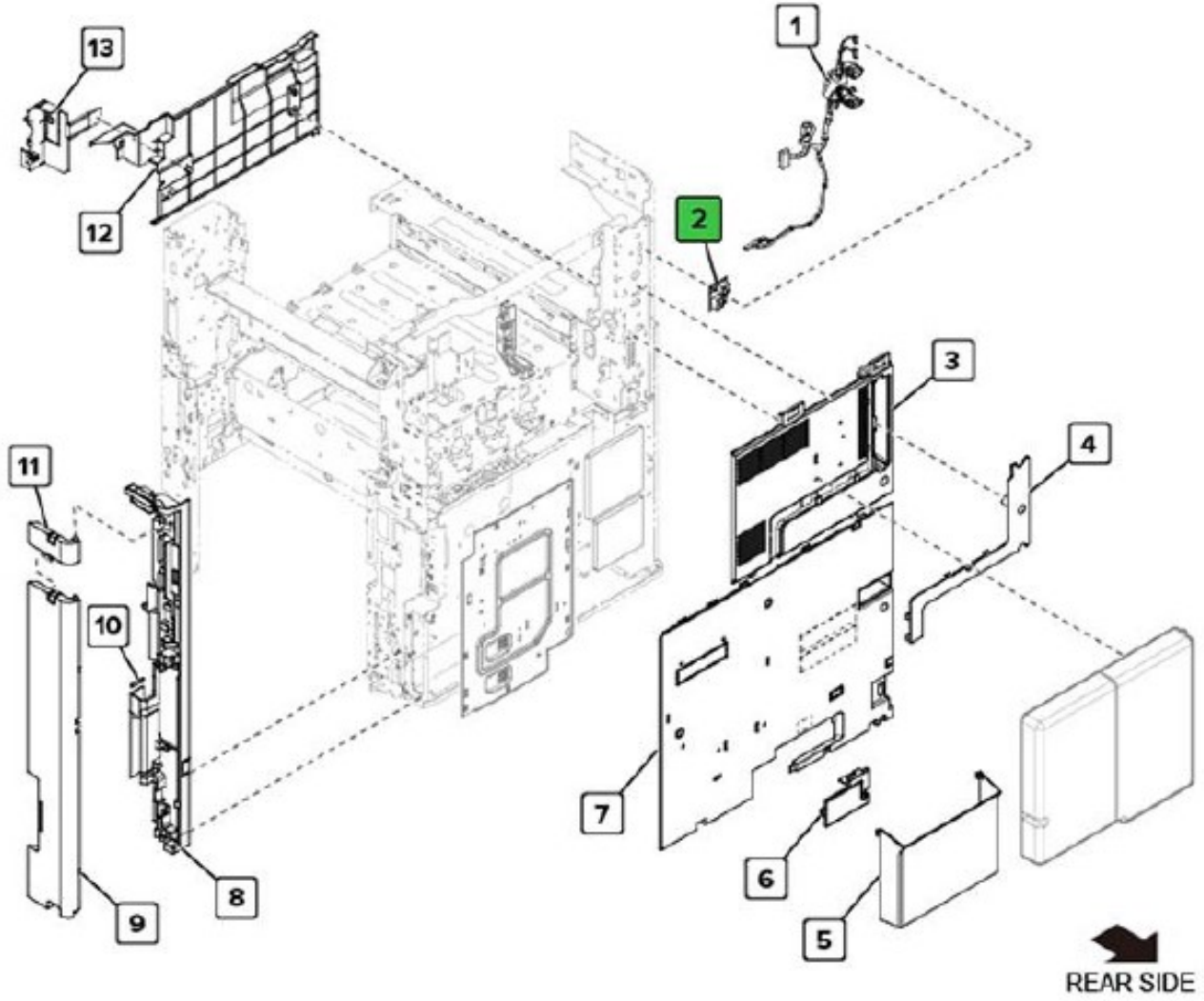


Index	Description
1	Power supply interface board

**CX92x Series
Location**

Sensors, Printed circuit boards >10cm²

Covers 2

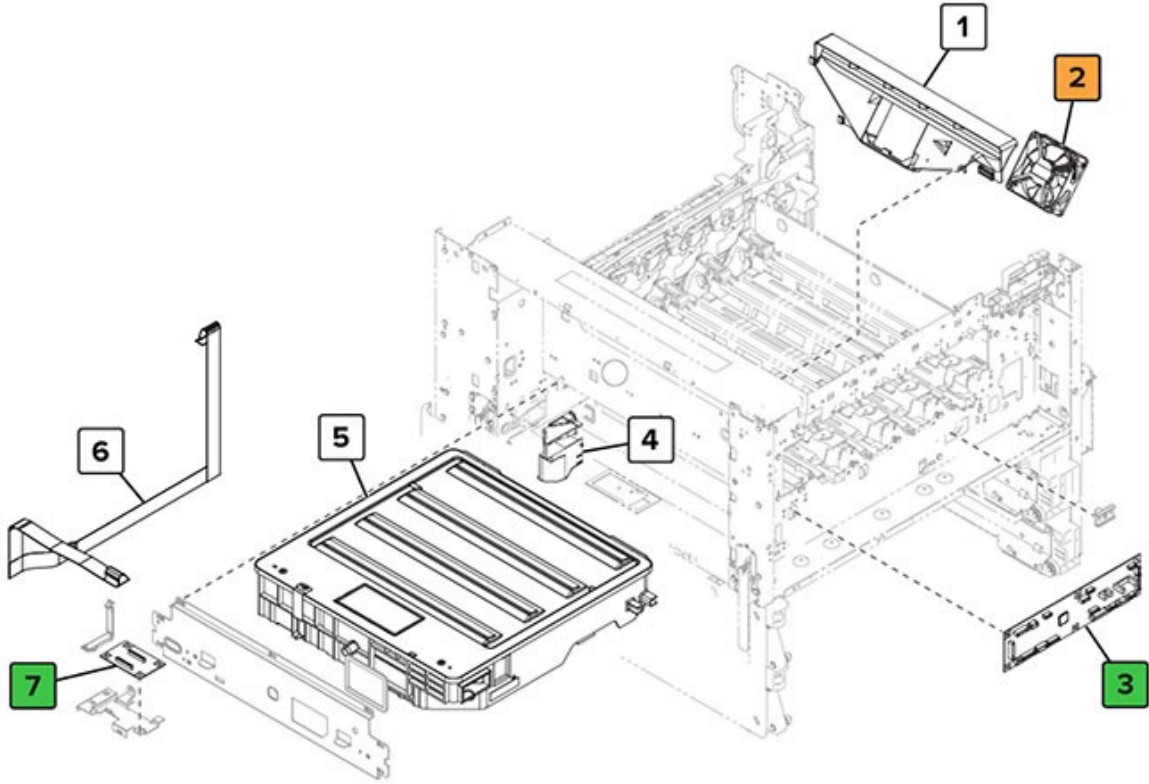


Index	Description
2	Power supply interface board

**CS92x and CX92x Series
Location**

Sensors, Printed circuit boards >10cm²

Printhead

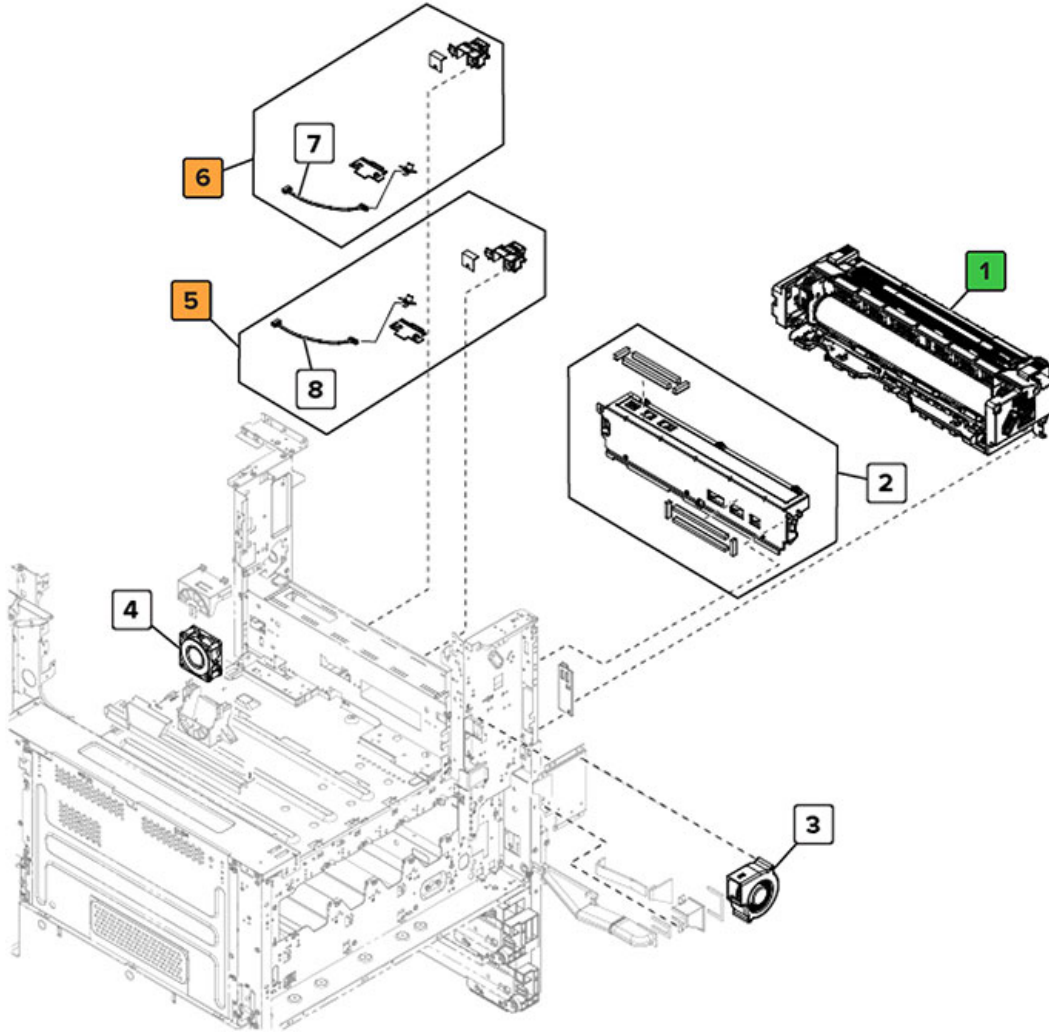


Index	Description
2	Transfer belt fan
3	Image controller board
7	Printhead relay board

CS923/ CX922/ CX923/ CX924/ XC9245/ XC9255/ XC9265 Series
Location

Sensors, Printed circuit boards >10cm²

Fuser 1

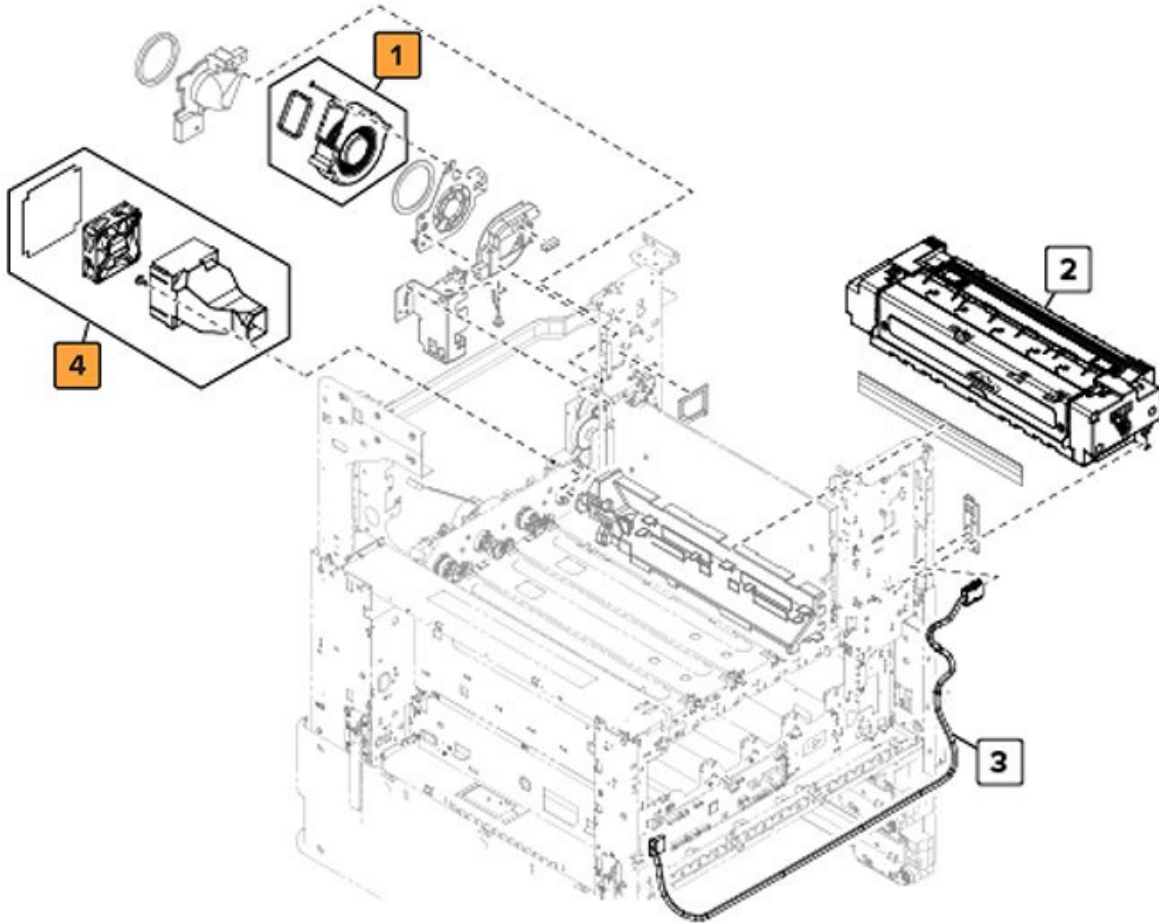


Index	Description
1	Board inside fuser assembly
5	Sensor (fuser temperature, front)
6	Sensor (fuser temperature, rear)

CS921/ C935/ CS927/ CX920/ CX921/ XC9225/ XC9235/ CX927 Series
Location

Sensors, Printed circuit boards >10cm²

Fuser 2

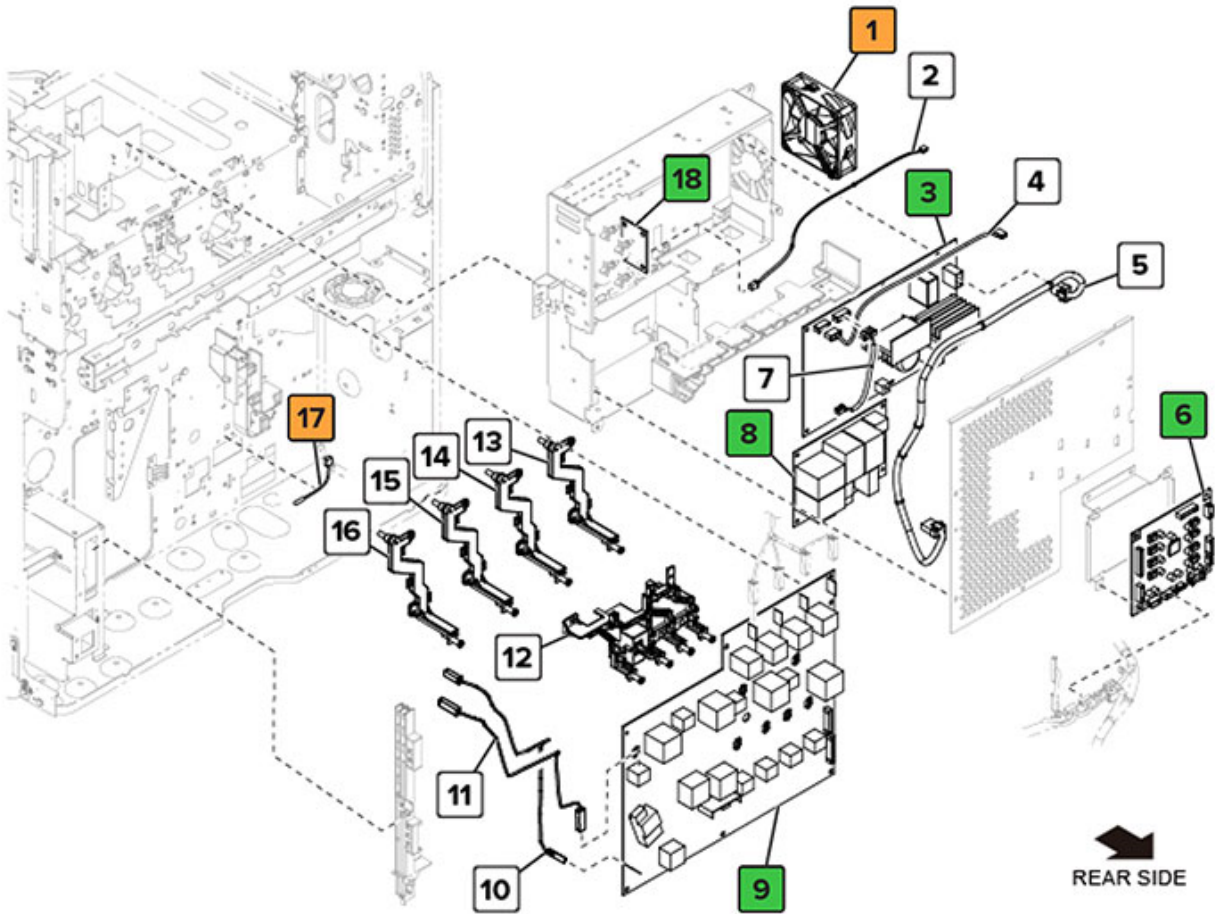


Index	Description
1	Paper exit fan
4	Toner cartridge cooling fan

CS923/ CX922/ CX923/ CX924/ XC9245/ XC9255/ XC9265 Series
Location

Sensors, Printed circuit boards >10cm²

High Voltage 1

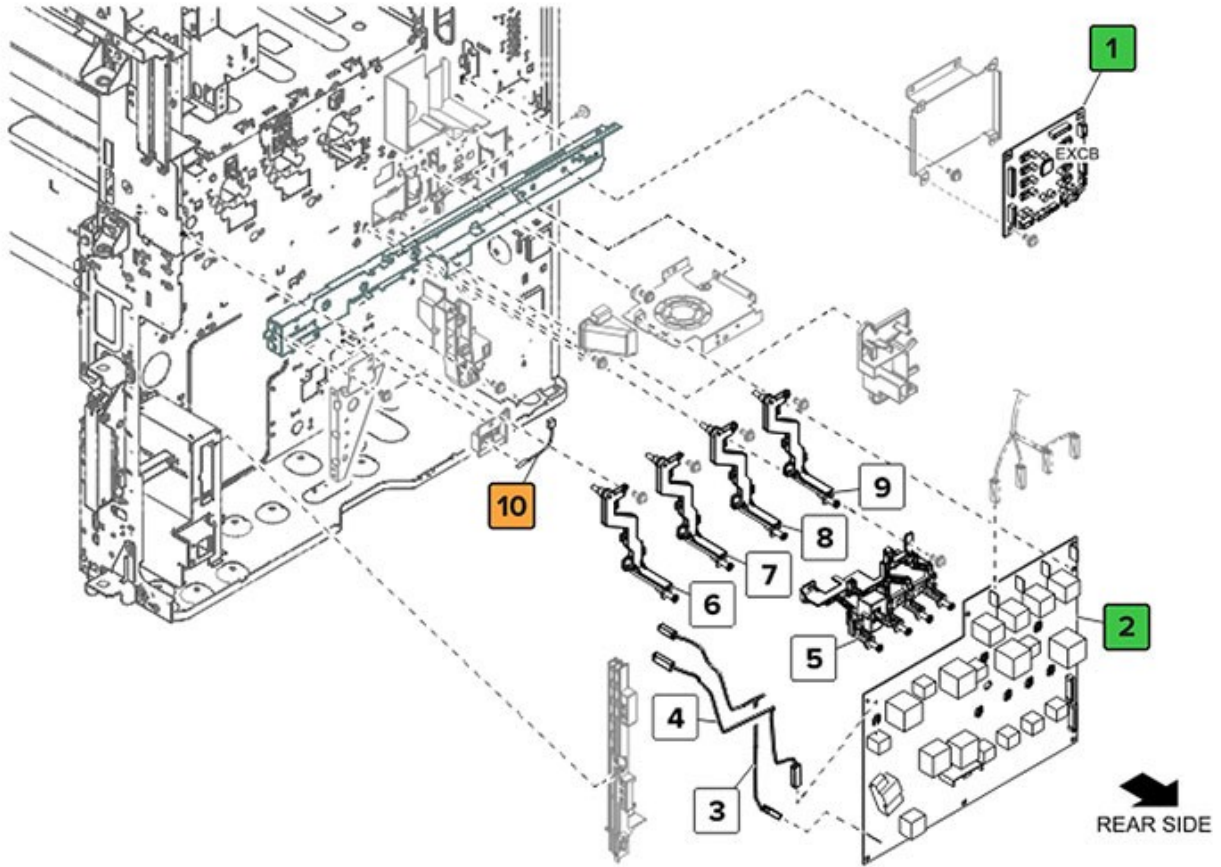


Index	Description
1	Fuser power supply fan
3	Induction heater power supply (120 V and 230 V)
6	Expansion controller board
8	Noise filter board (120 V and 230 V)
9	High voltage board
17	Sensor (tray 1 and tray 2 paper temperature)
8	Induction heater magnetic erase board)

CS921/ C935/ CS927/ CX920/ CX921/ XC9225/ XC9235/ CX927 Series
Location

Sensors, Printed circuit boards >10cm²

High Voltage 2

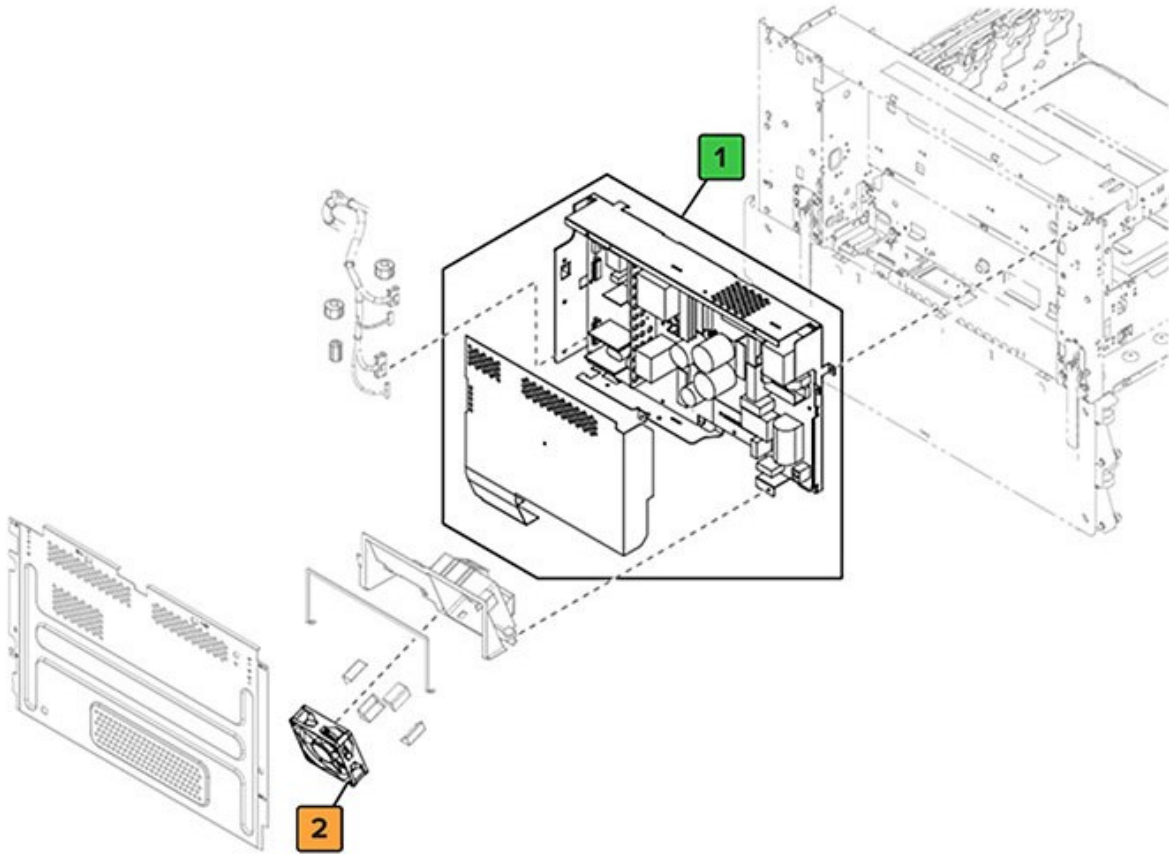


Index	Description
1	Expansion controller board
2	High voltage board
10	Sensor (tray 1 and tray 2 paper temperature)

CS923/ CX922/ CX923/ CX924/ XC9245/ XC9255/ XC9265 Series
Location

Sensors, Printed circuit boards >10cm²

Main Power supply 1

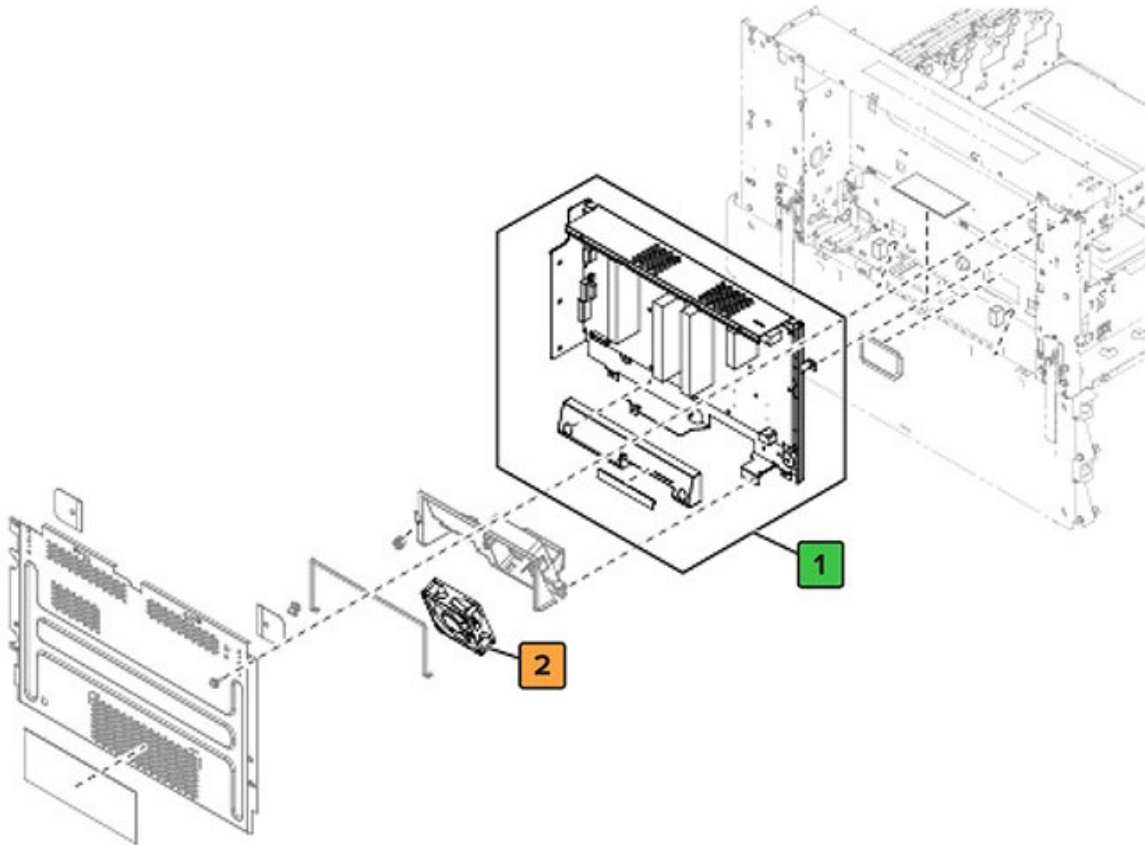


Index	Description
1	Main power supply (220 V and 120 V)
2	Main power supply fan

CS921/ C935/ CS927/ CX920/ CX921/ XC9225/ XC9235/ CX927 Series
Location

Sensors, Printed circuit boards >10cm²

Main Power supply 2

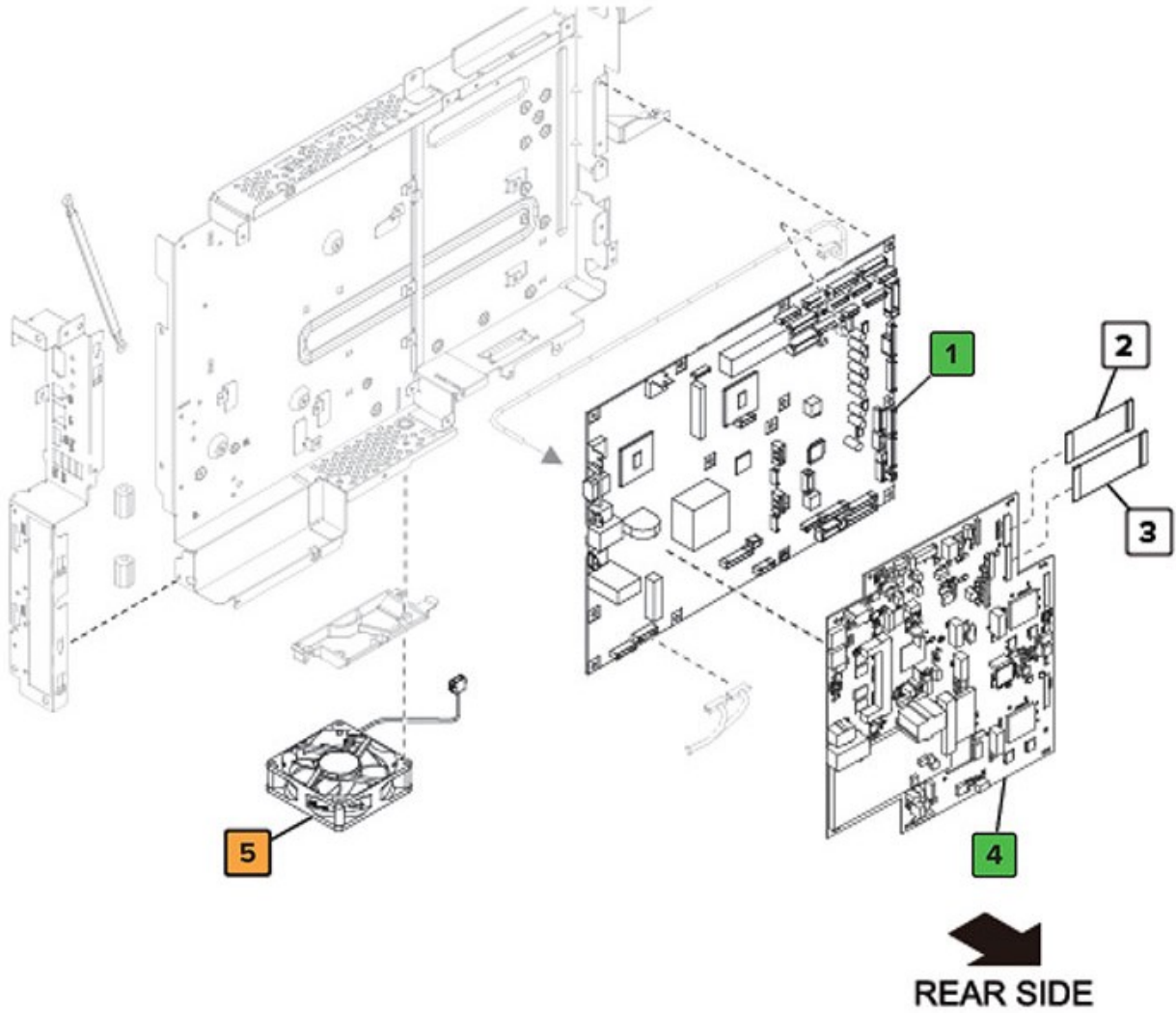


Index	Description
1	Main power supply (120 V and 220 V)
2	Main power supply fan

**CS92x and CX92x Series
Location**

Sensors, Printed circuit boards >10cm²

Electrical

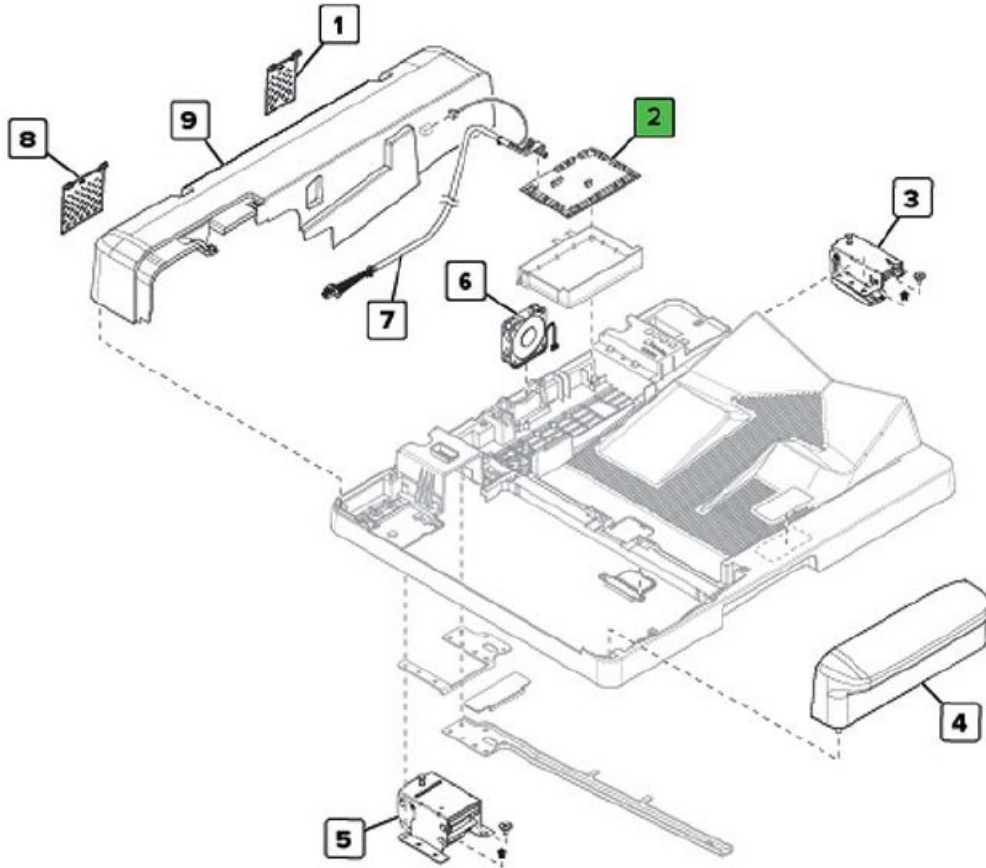


Index	Description
1	Engine board
4	Controller board
5	Controller board fan

**CX92x Series
Location**

Printed circuit boards >10cm²

ADF Covers

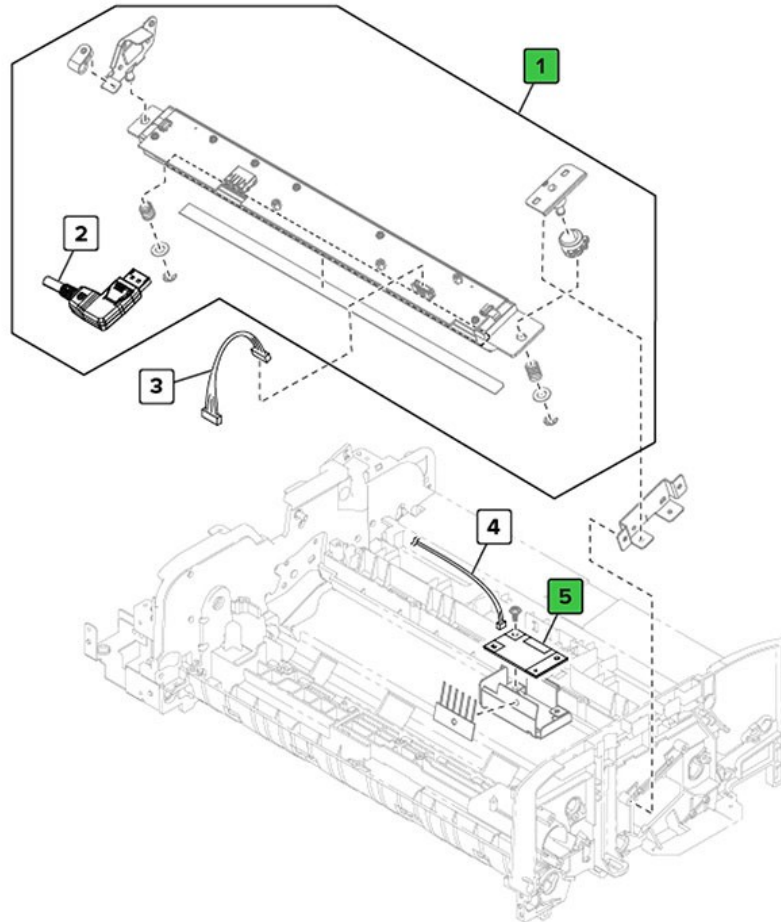


Index	Description
2	ADF controller board

**CX92x Series
Location**

Printed circuit boards >10cm²

ADF CIS 1

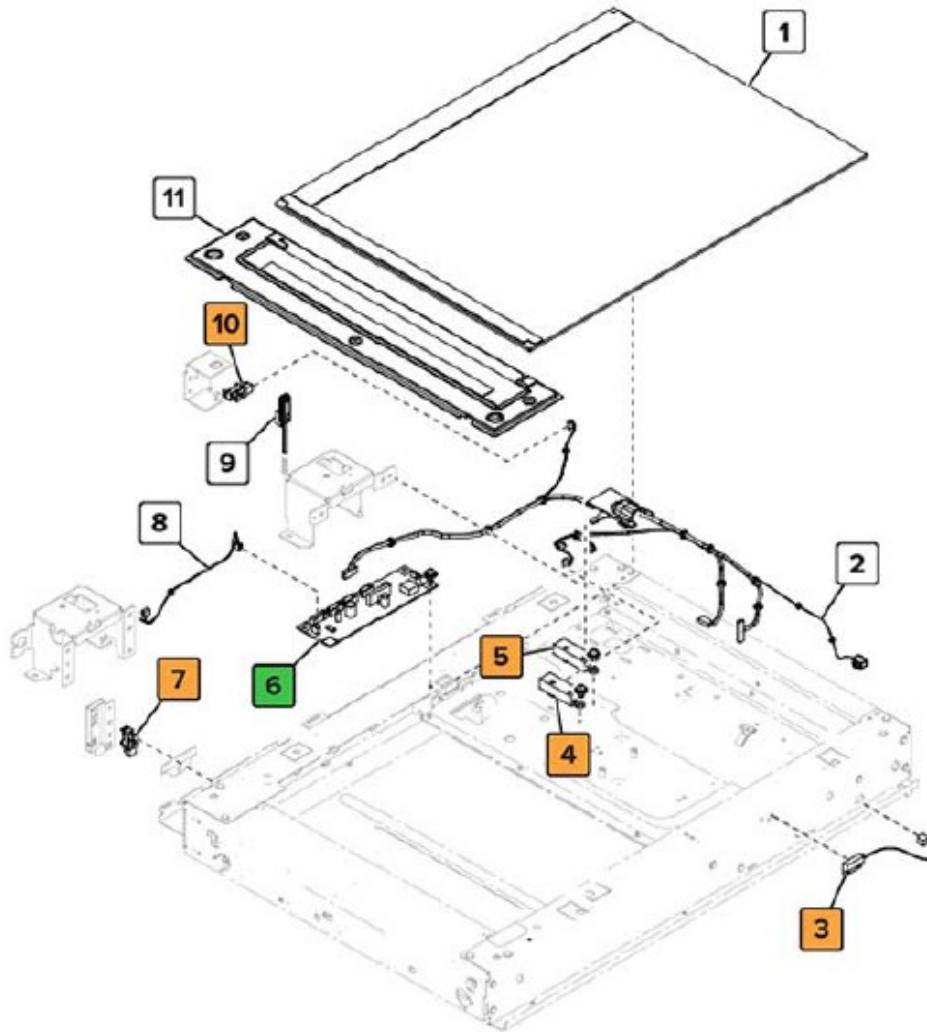


Index	Description
1	Board inside ADF CIS assembly
5	ADF CIS power supply board

**CX92x Series
Location**

Printed circuit boards >10cm²

ADF Flatbed Scanner 1

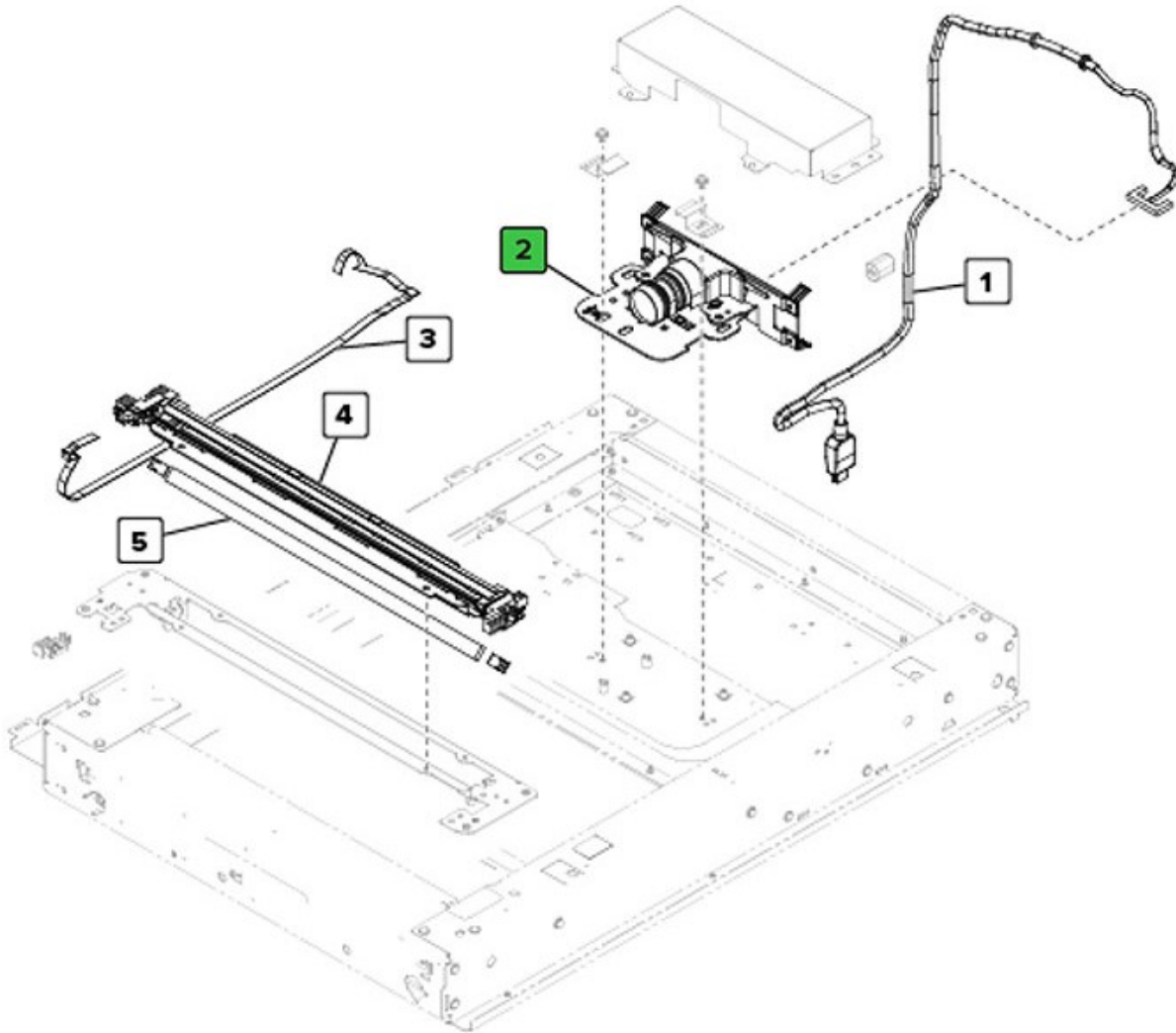


Index	Description
3	Sensor (scanner cover switch)
4	Sensor (scanner paper length 2)
5	Sensor (scanner paper length 1)
6	Scanner controller board
7	Sensor (scanner lamp home)
10	Sensor (scanner cover open)

**CX92x Series
Location**

Sensors, Printed circuit boards >10cm²

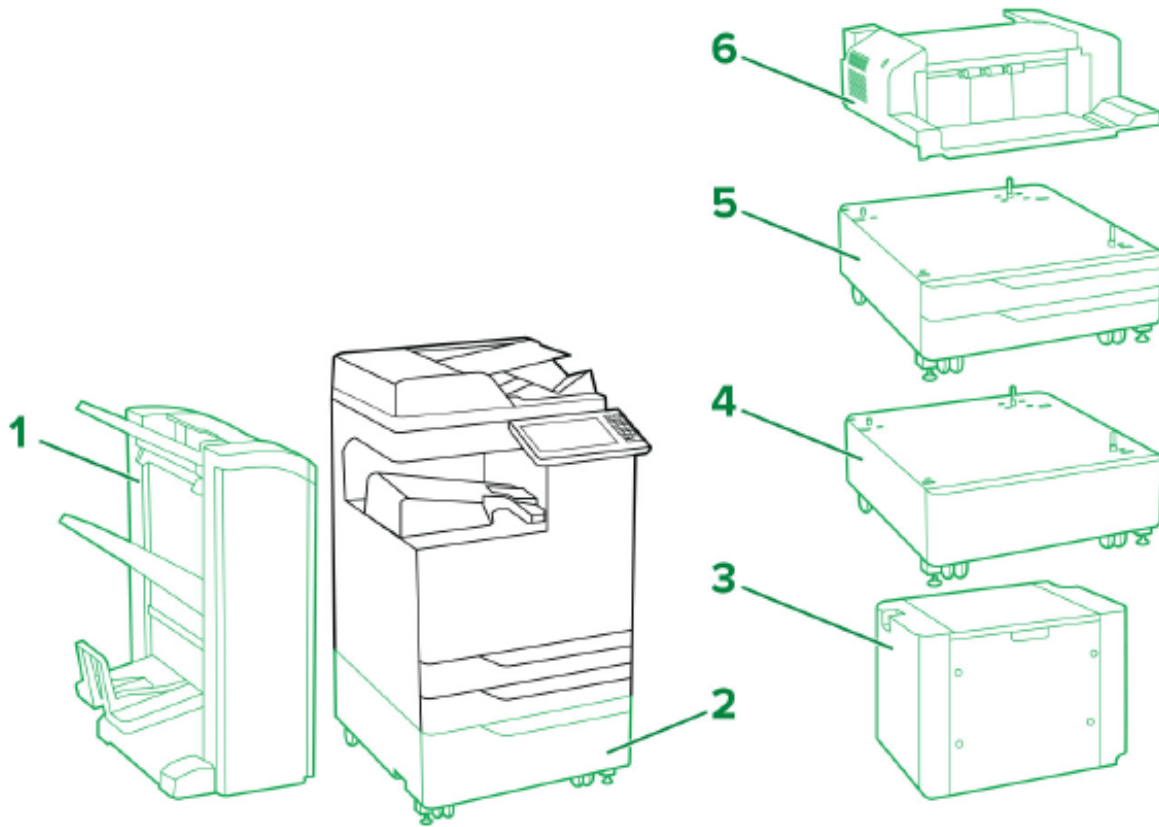
ADF Flatbed Scanner 2



Index	Description
2	Scanner CCD lens assembly

**CS92x and CX92x Series
Location**

Paper Handling Options



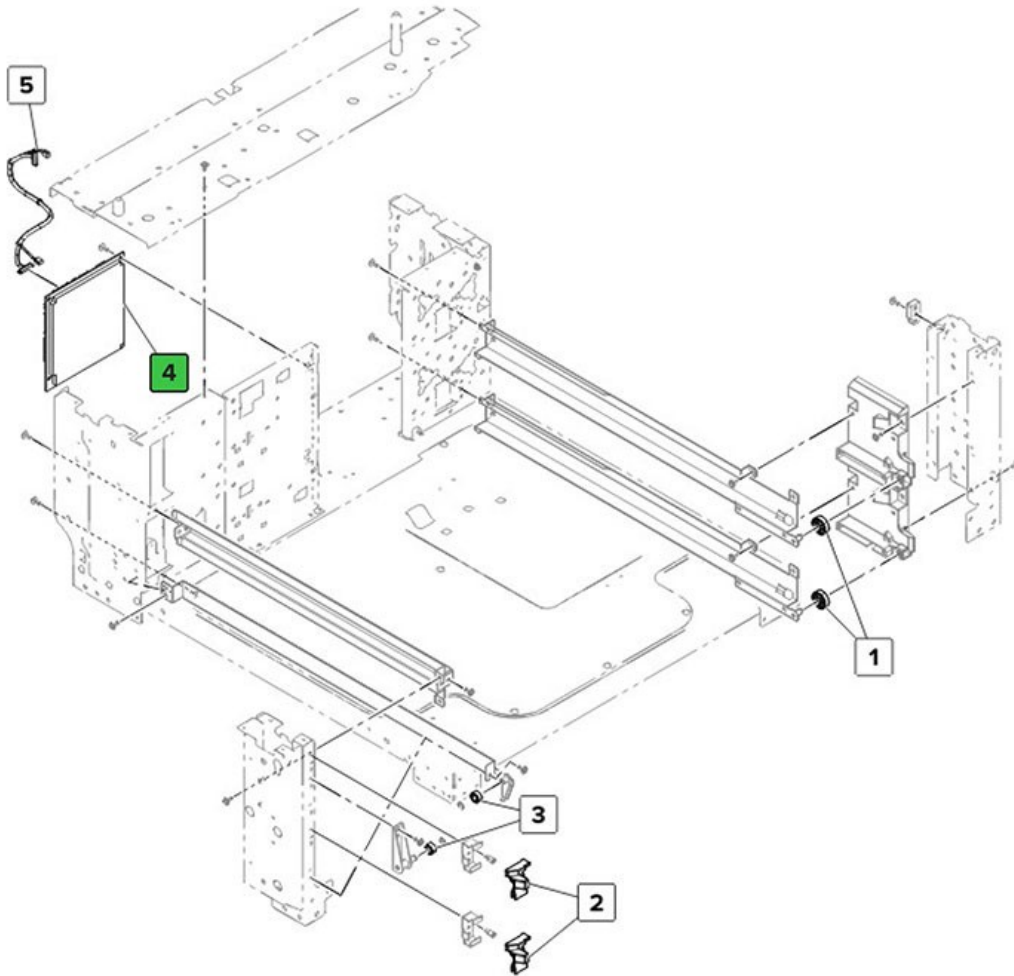
Index	Description
1	Staple, hole punch finisher / Booklet finisher
2	2500-sheet tray
3	3000-sheet tray
4	Cabinet*
5	2 x 500-sheet tray
6	Staple finisher

Options marked with (*) are non-Electrical and electronic units

**CS92x and CX92x Series
Location**

Options Sensors, Printed circuit boards >10cm2

2 x 500 Sheet tray – Frame

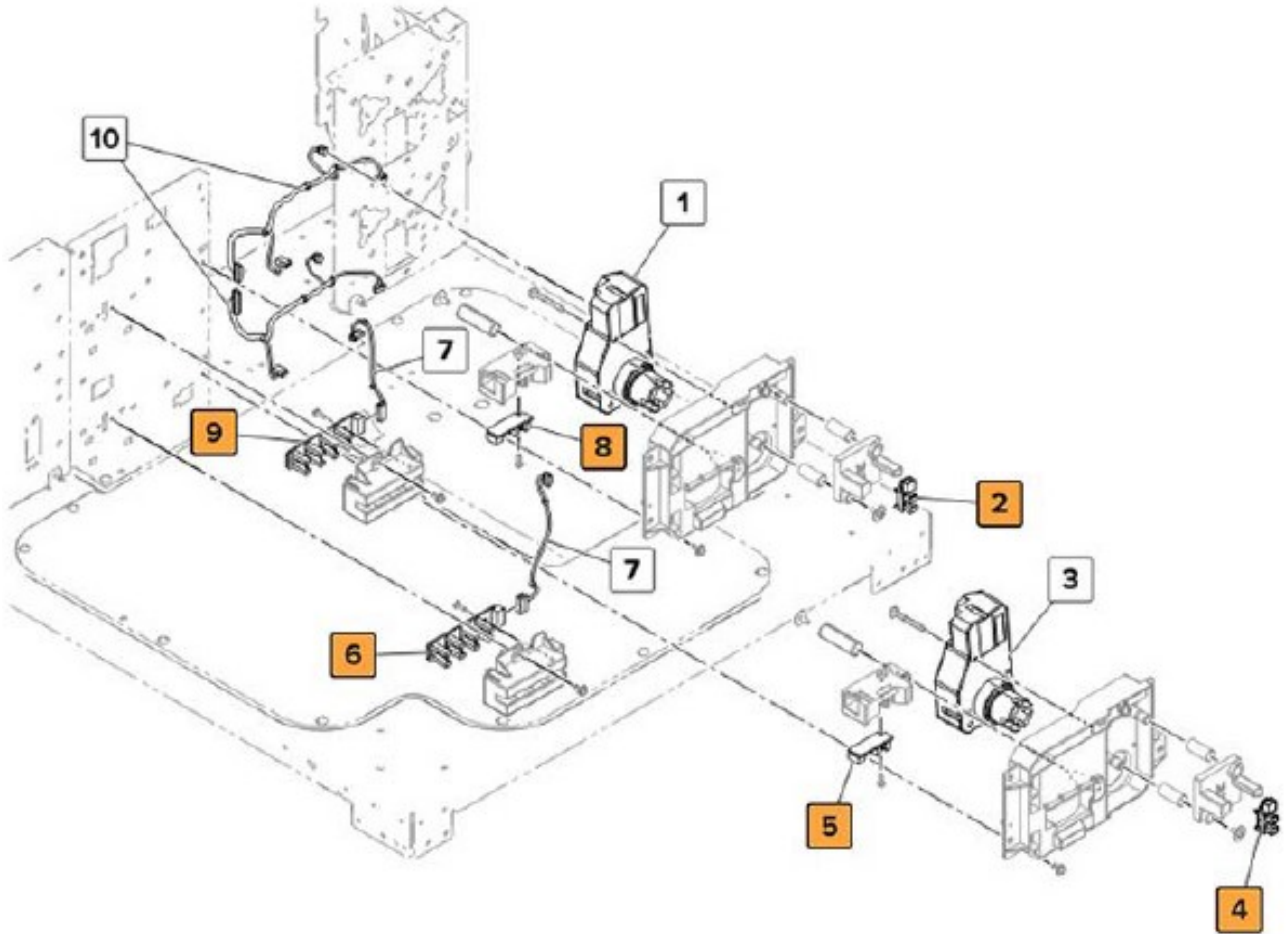


Index	Description
4	2 x 500-sheet tray controller board

**CS92x and CX92x Series
Location**

Options Sensors, Printed circuit boards >10cm2

2 x 500 Sheet tray – Paper size detection

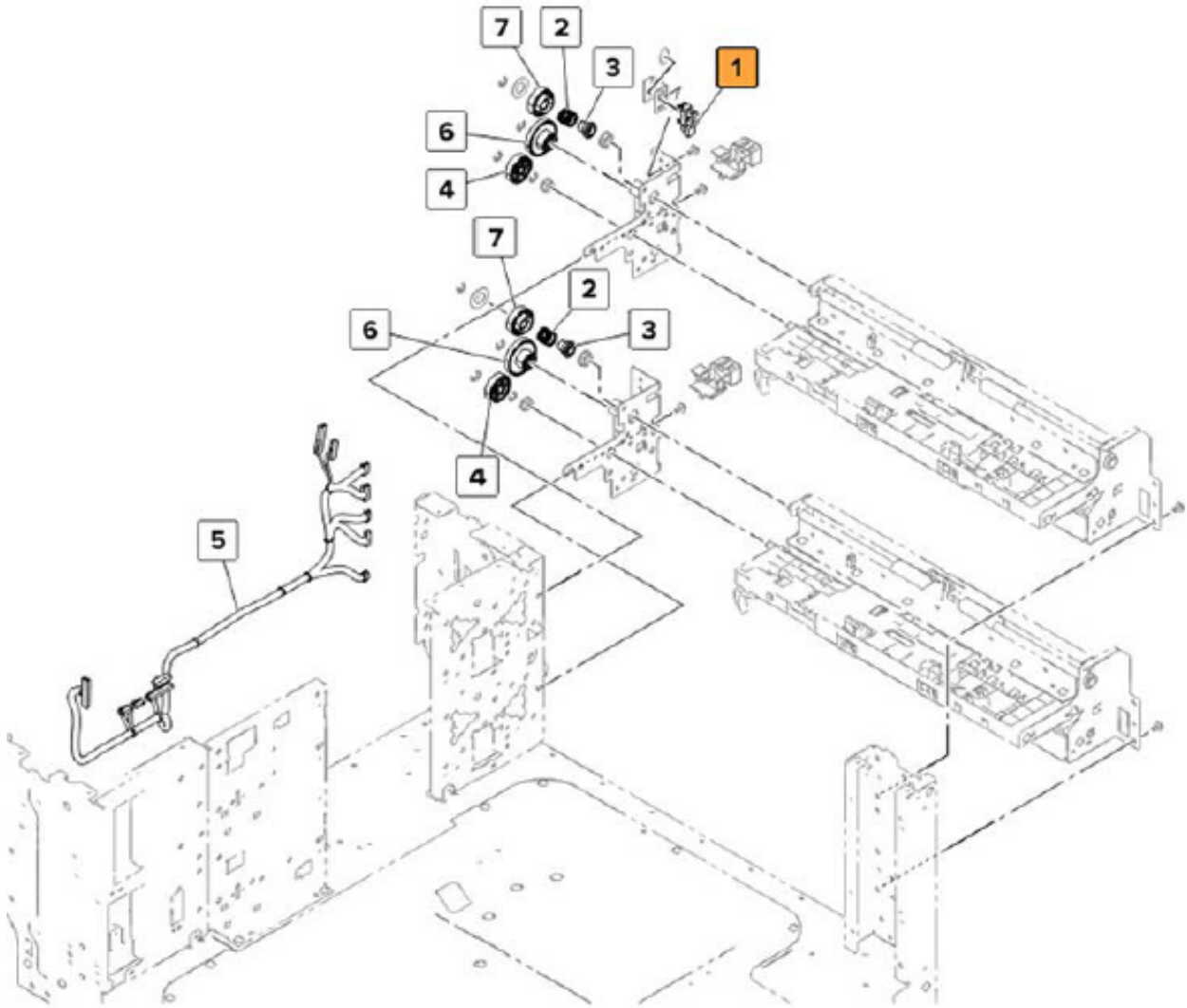


Index	Description
2	Sensor (2 x 500-sheet tray 3 near empty)
4	Sensor (2 x 500-sheet tray 4 near empty)
5	Sensor (2 x 500-sheet tray 4 paper width)
6	Sensor (2 x 500-sheet tray 4 paper length)
8	Sensor (2 x 500-sheet tray 3 paper width)
9	Sensor (2 x 500-sheet tray 3 paper length)

CS92x and CX92x Series
Location

Options Sensors, Printed circuit boards >10cm2

2 x 500 Sheet tray – Paper pick 1

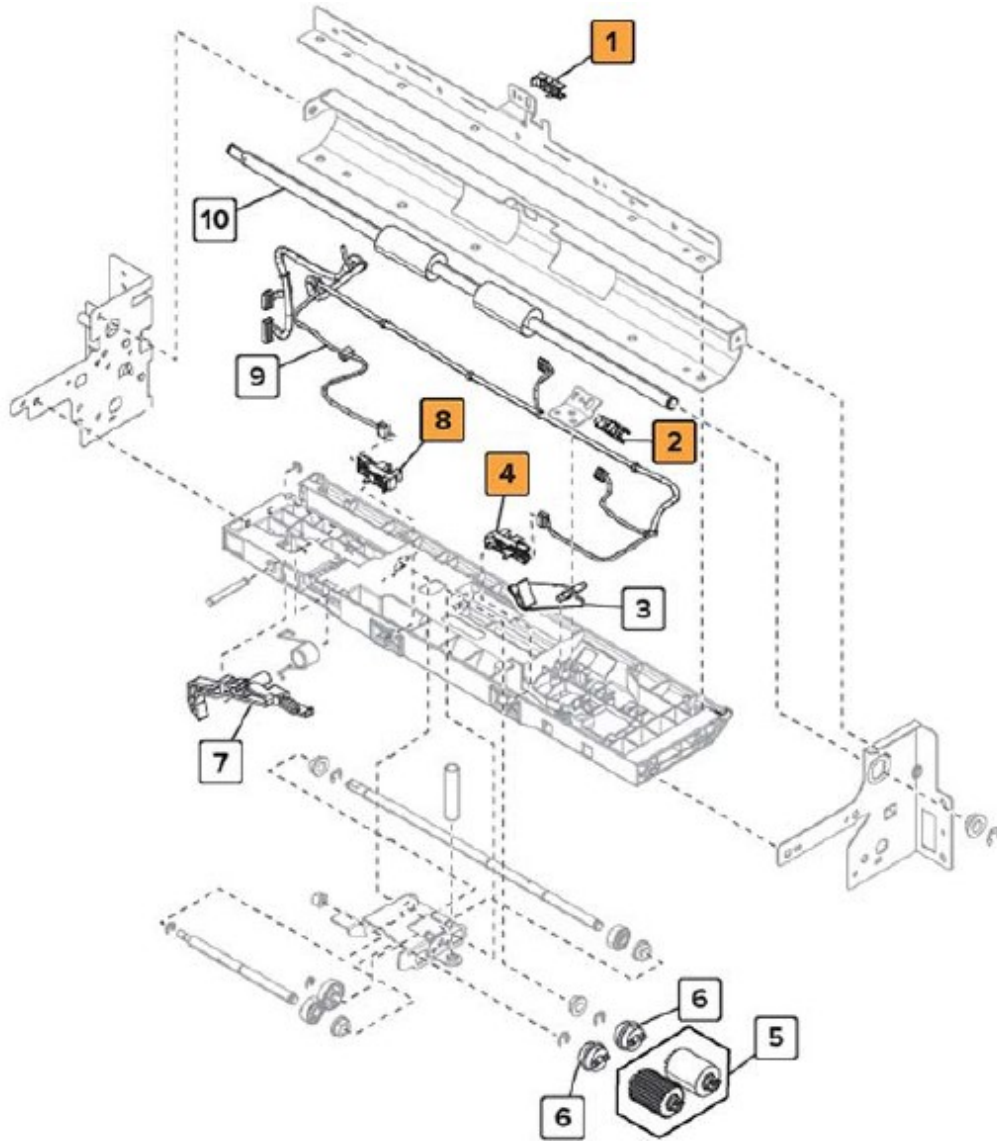


Index	Description
1	Sensor (2 x 500-sheet tray jam access door)

**CS92x and CX92x Series
Location**

Options Sensors, Printed circuit boards >10cm2

2 x 500 Sheet tray – Paper pick 2

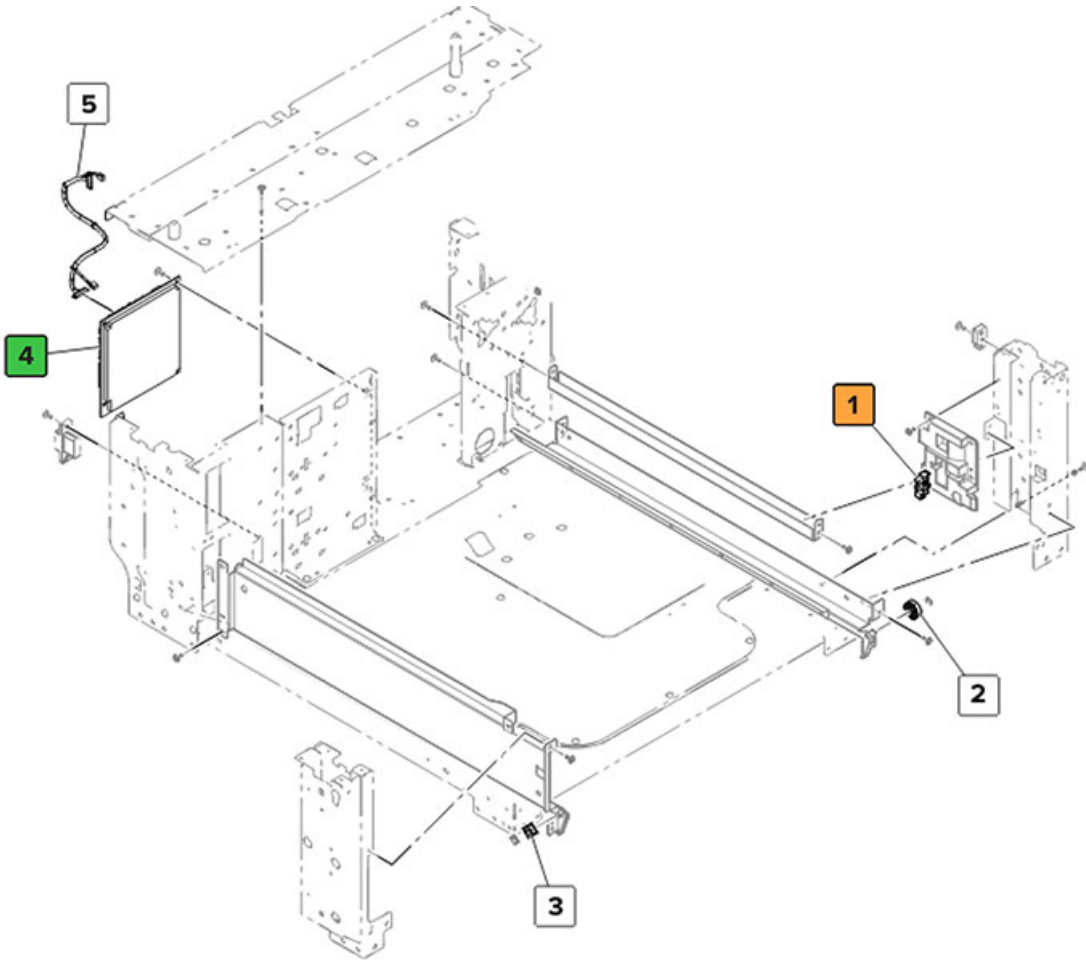


Index	Description
1	Sensor (2 x 500-sheet tray transport)
2	Sensor (2 x 500-sheet tray feed)
4	Sensor (2 x 500-sheet tray empty)
8	Sensor (2 x 500-sheet tray lift plate level)

**CS92x and CX92x Series
Location**

Options Sensors, Printed circuit boards >10cm2

2500 Sheet tray - Frame

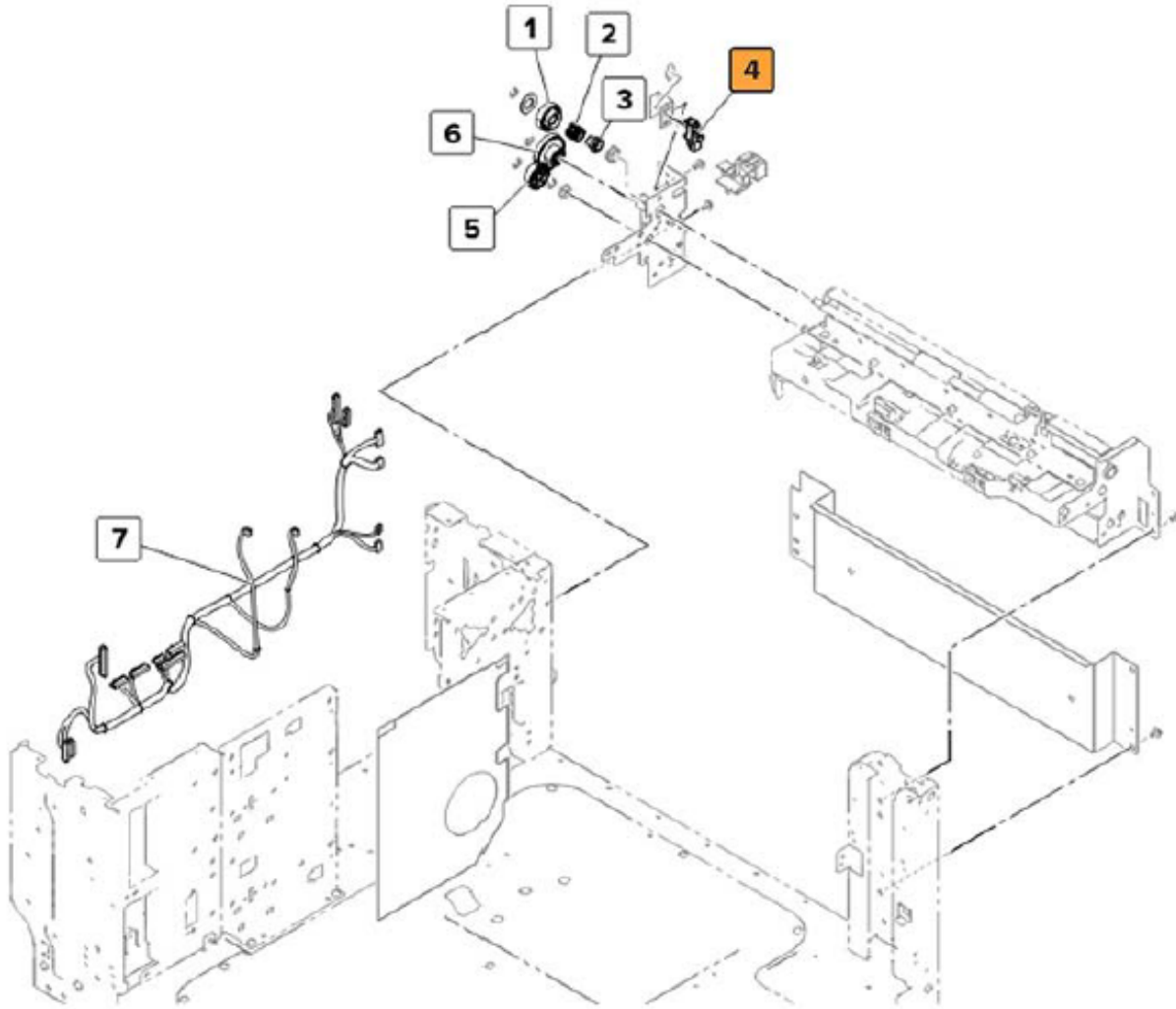


Index	Description
1	Sensor (2500-sheet tray set)
4	2500-sheet tray controller board

**CS92x and CX92x Series
Location**

Options Sensors, Printed circuit boards >10cm2

2500 Sheet tray - Paper Pick 1

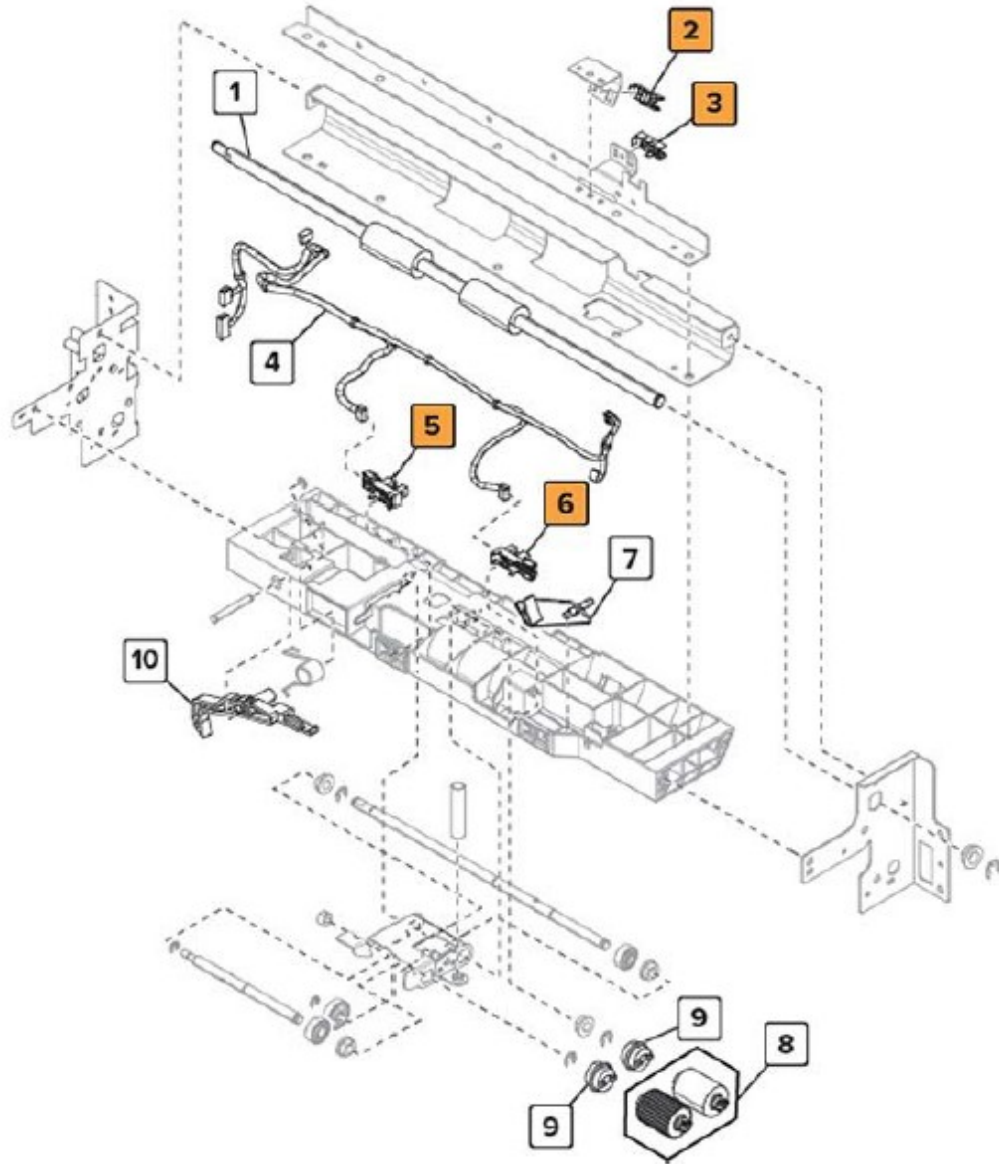


Index	Description
4	Sensor (2500-sheet tray jam access door)

**CS92x and CX92x Series
Location**

Options Sensors, Printed circuit boards >10cm2

2500 Sheet tray - Paper Pick 2

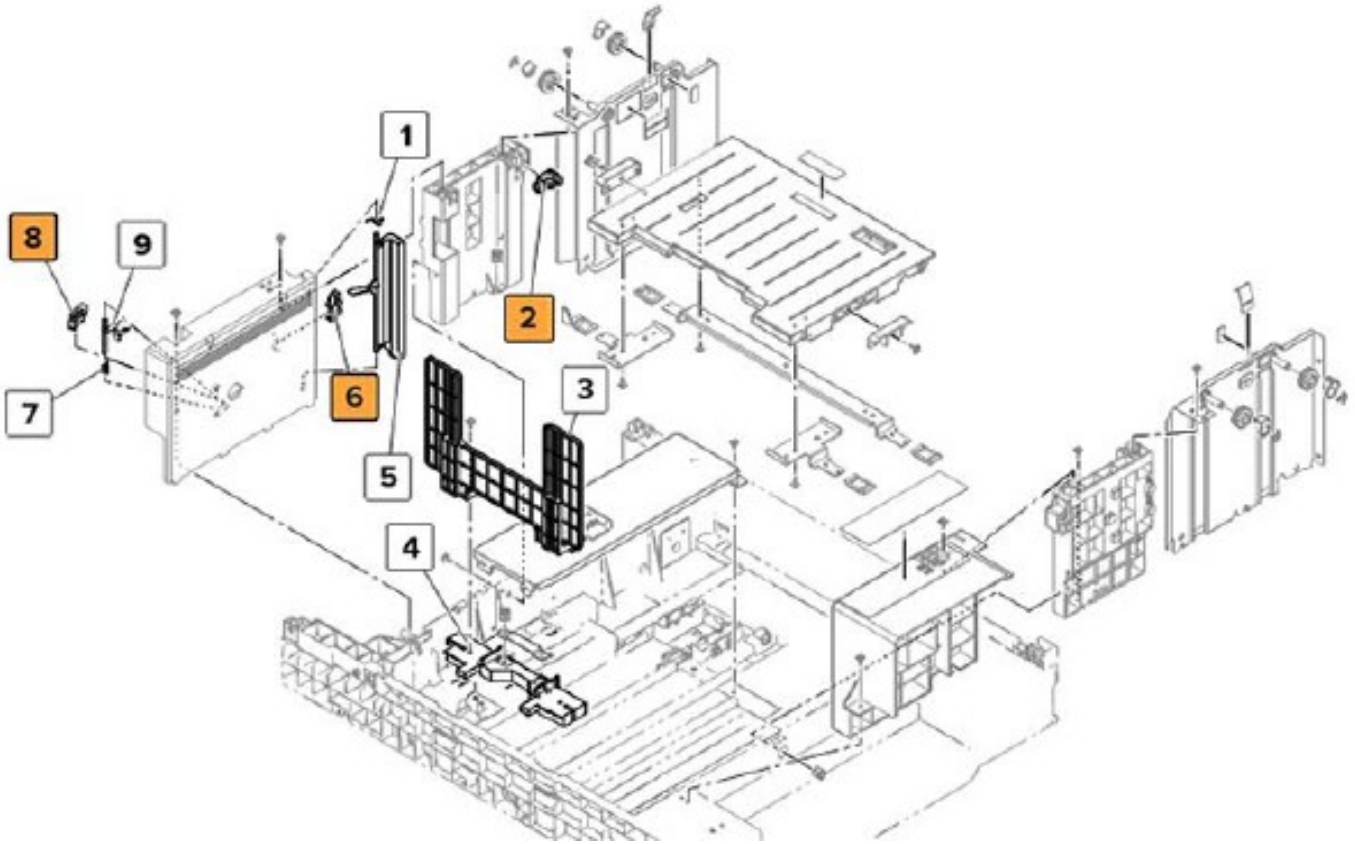


Index	Description
2	Sensor (2500-sheet tray feed)
3	Sensor (2500-sheet tray transport)
5	Sensor (2500-sheet tray main tray elevator limit)
6	Sensor (2500-sheet tray main tray empty, top)

**CS92x and CX92x Series
Location**

Options Sensors, Printed circuit boards >10cm2

2500 Sheet tray – Tray insert 2

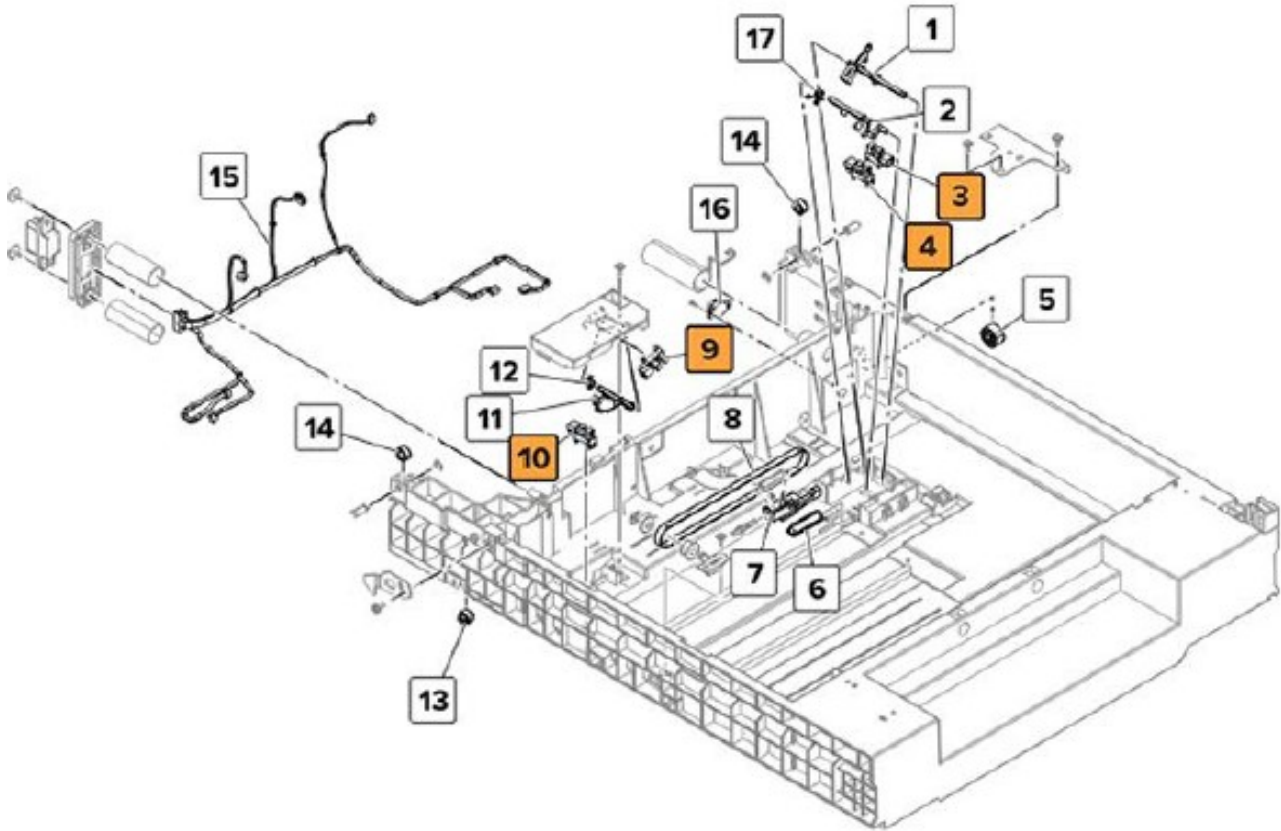


Index	Description
2	Sensor (main tray near empty)
6	Sensor (paper stack transfer)
8	Sensor (reserve tray paper limit)

CS92x and CX92x Series
Location

Options Sensors, Printed circuit boards >10cm2

2500 Sheet tray – Tray insert 4

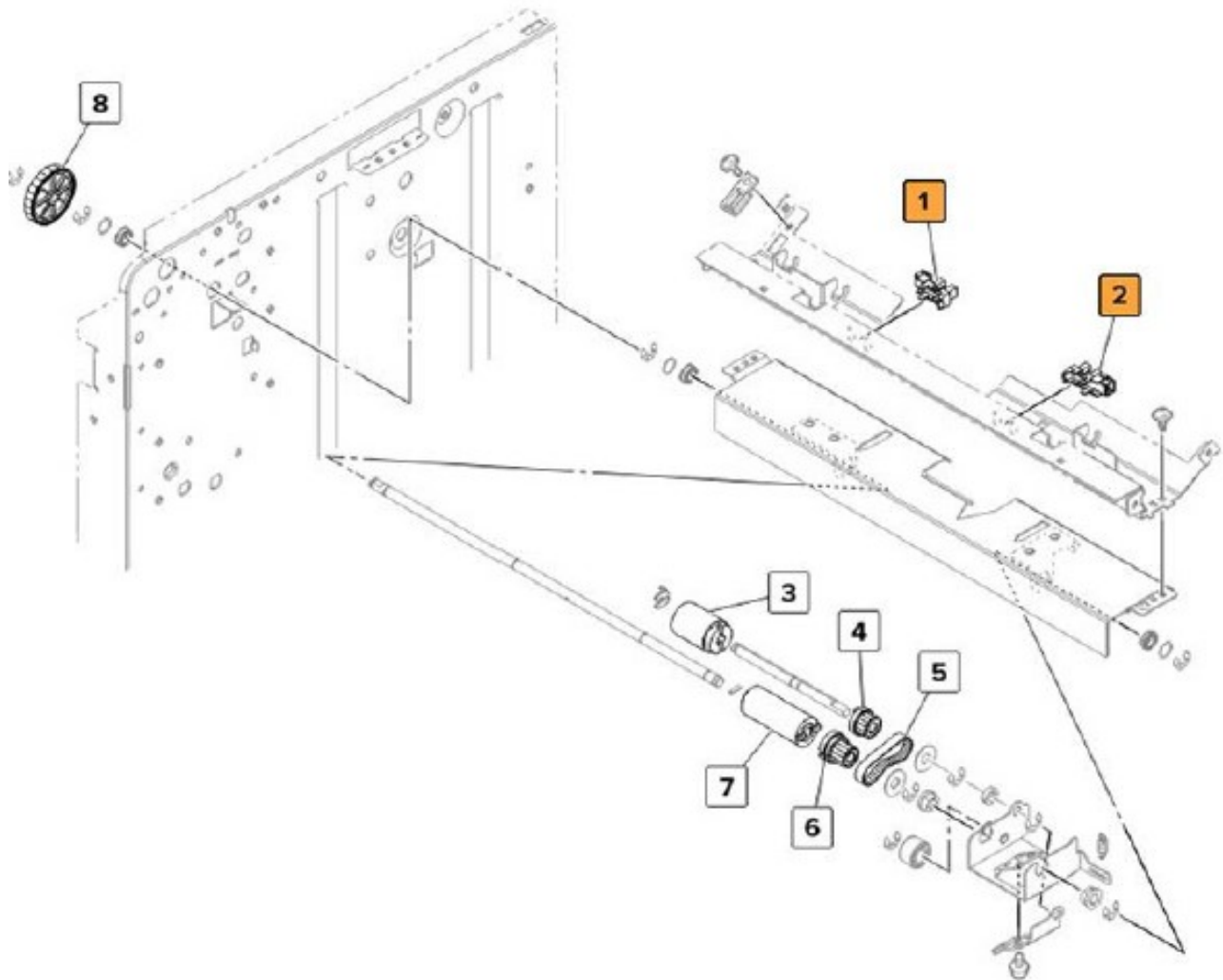


Index	Description
3	Sensor (main tray empty, bottom)
4	Sensor (2500-sheet tray elevator home)
9	Sensor (reserve tray empty)
10	Sensor (2500-sheet tray transfer guide home)

**CS92x and CX92x Series
Location**

Options Sensors, Printed circuit boards >10cm2

3000 Sheet tray – Paper feed 2

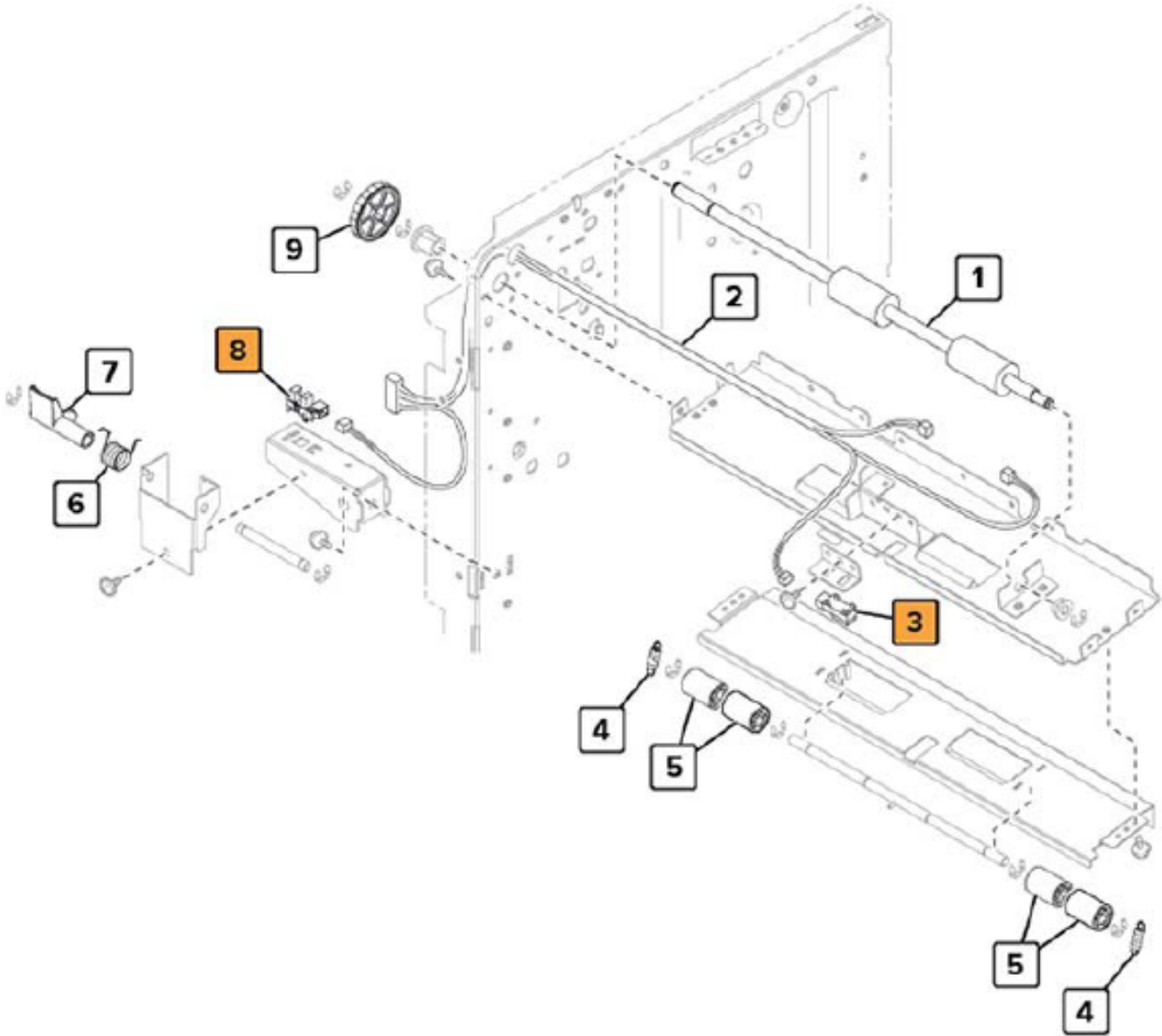


Index	Description
1	Sensor (3000-sheet tray elevator level)
2	Sensor (3000-sheet tray empty)

CS92x and CX92x Series
Location

Options Sensors, Printed circuit boards >10cm2

3000 Sheet tray – Paper transport

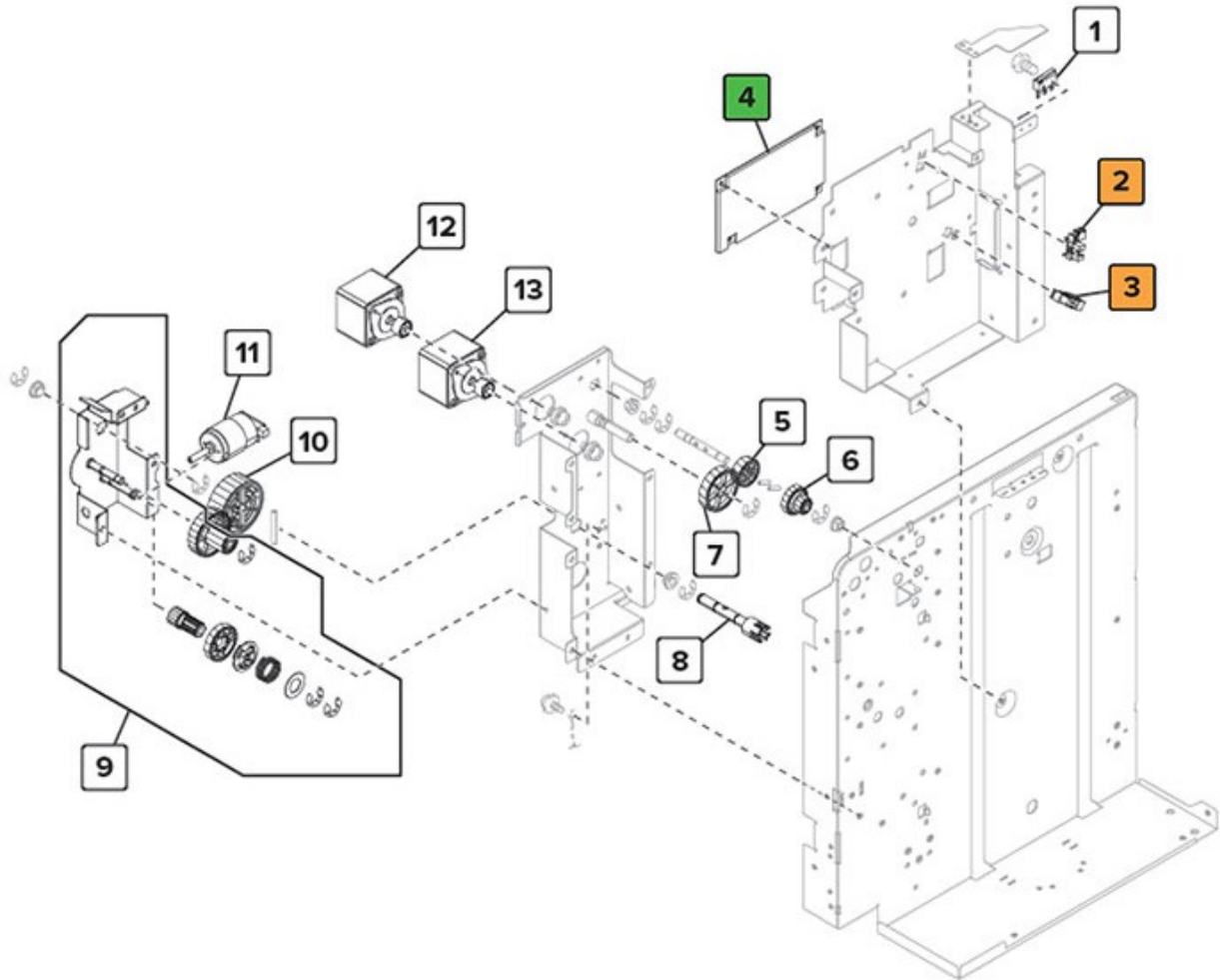


Index	Description
3	Sensor (3000-sheet tray feed)
8	Sensor (3000-sheet tray set)

CS92x and CX92x Series
Location

Options Sensors, Printed circuit boards >10cm2

3000 Sheet tray – Drive section

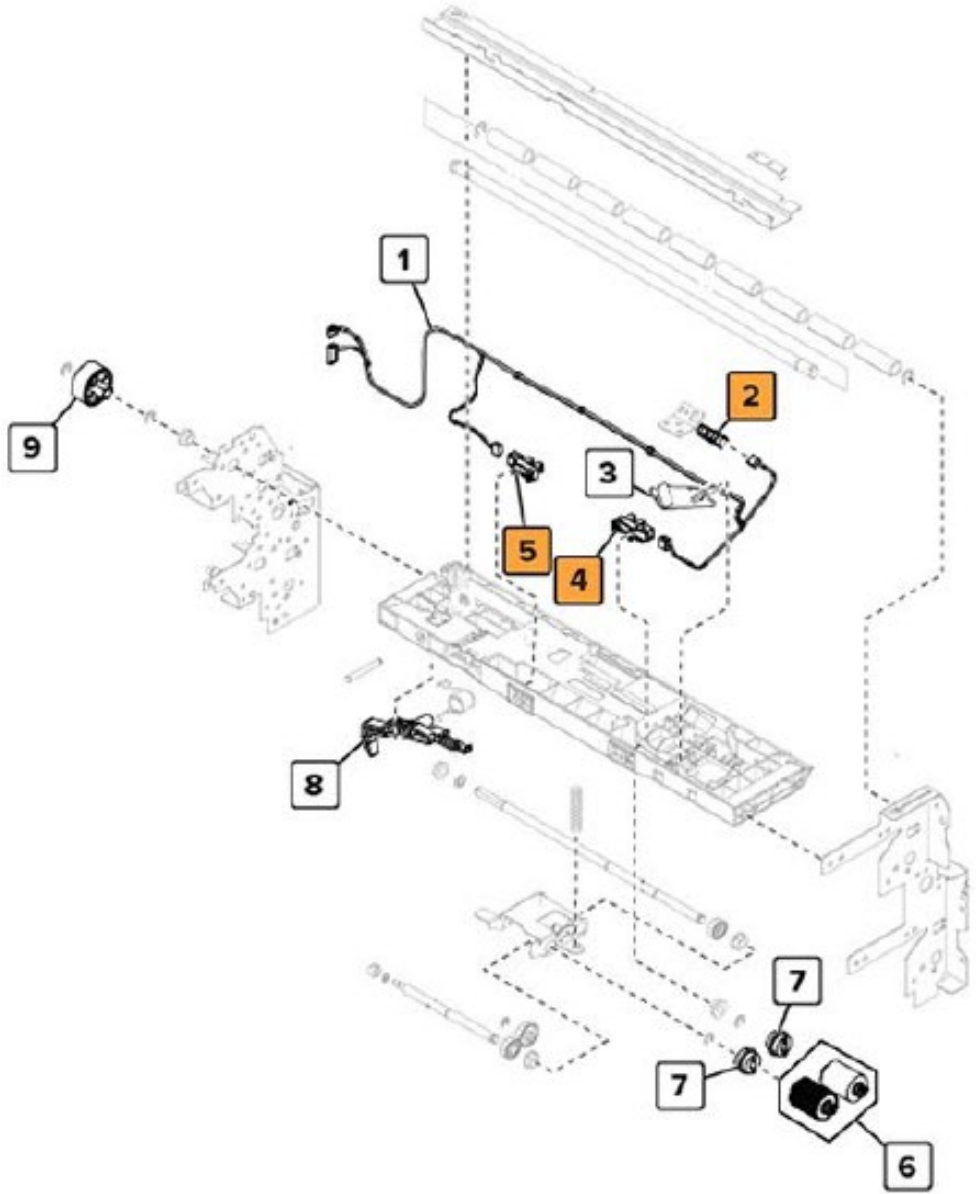


Index	Description
2	Sensor (3000-sheet tray near empty 1)
3	Sensor (3000-sheet tray near empty 2)
4	3000-sheet tray controller board

**CS92x and CX92x Series
Location**

Sensors

Tray 1 feed

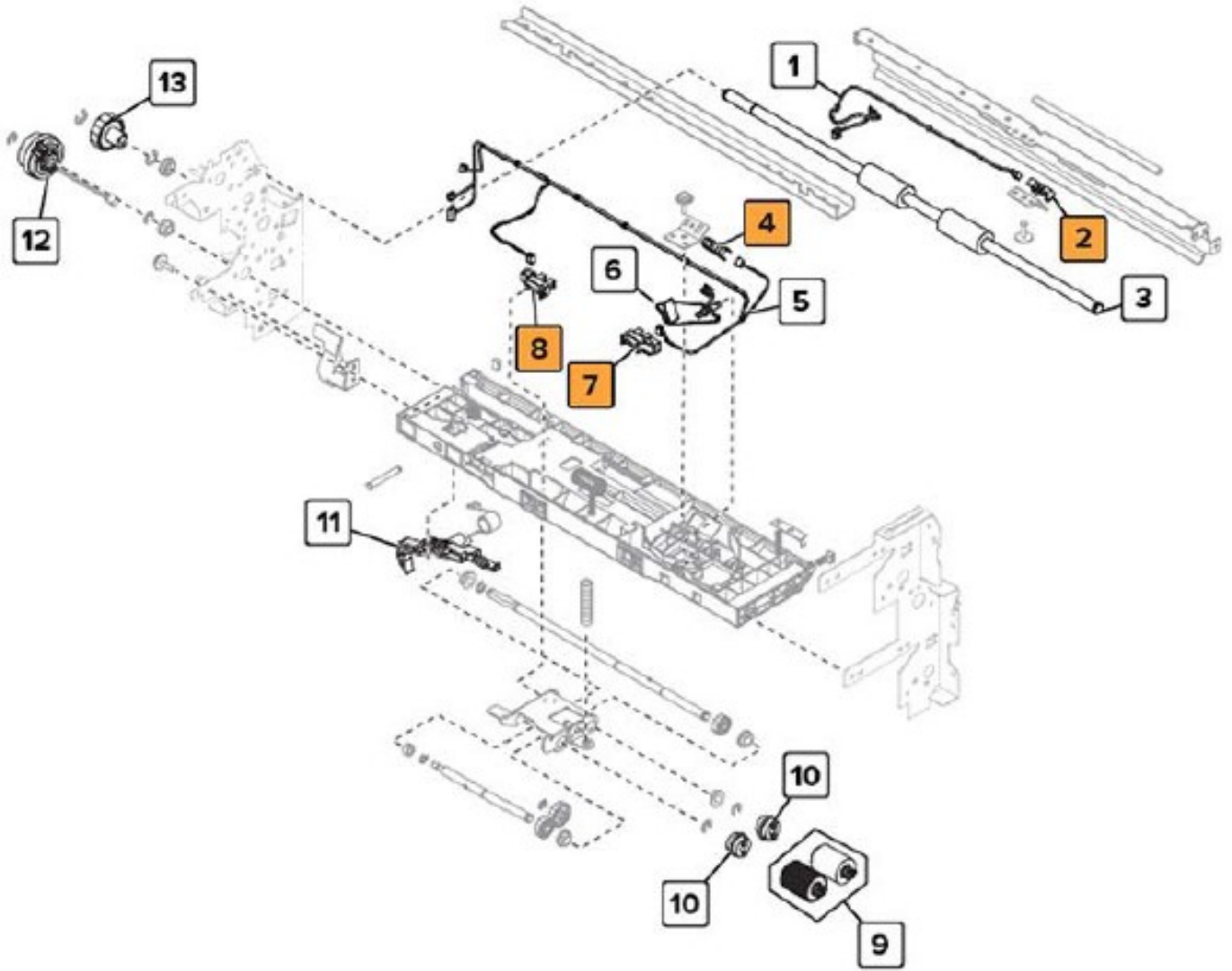


Index	Description
2	Sensor (tray 1 feed)
4	Sensor (tray 1 empty)
5	Sensor (tray 1 lift plate level)

CS92x and CX92x Series
Location

Sensors

Tray 2 feed

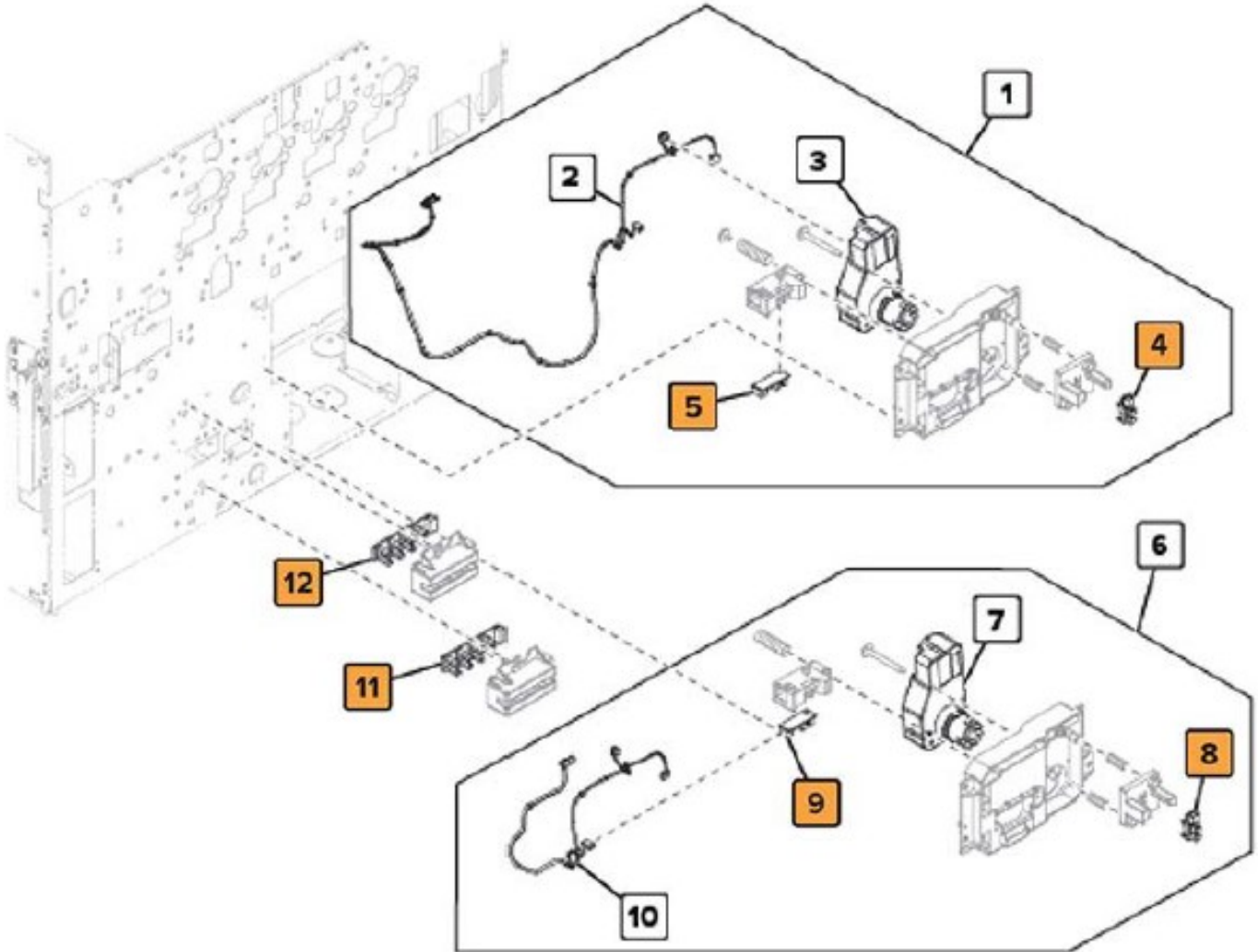


Index	Description
2	Sensor (tray 2 transport)
4	Sensor (tray 2 feed)
7	Sensor (tray 2 empty)
8	Sensor (tray 2 lift plate level)

**CS92x and CX92x Series
Location**

Sensors

Tray paper detection

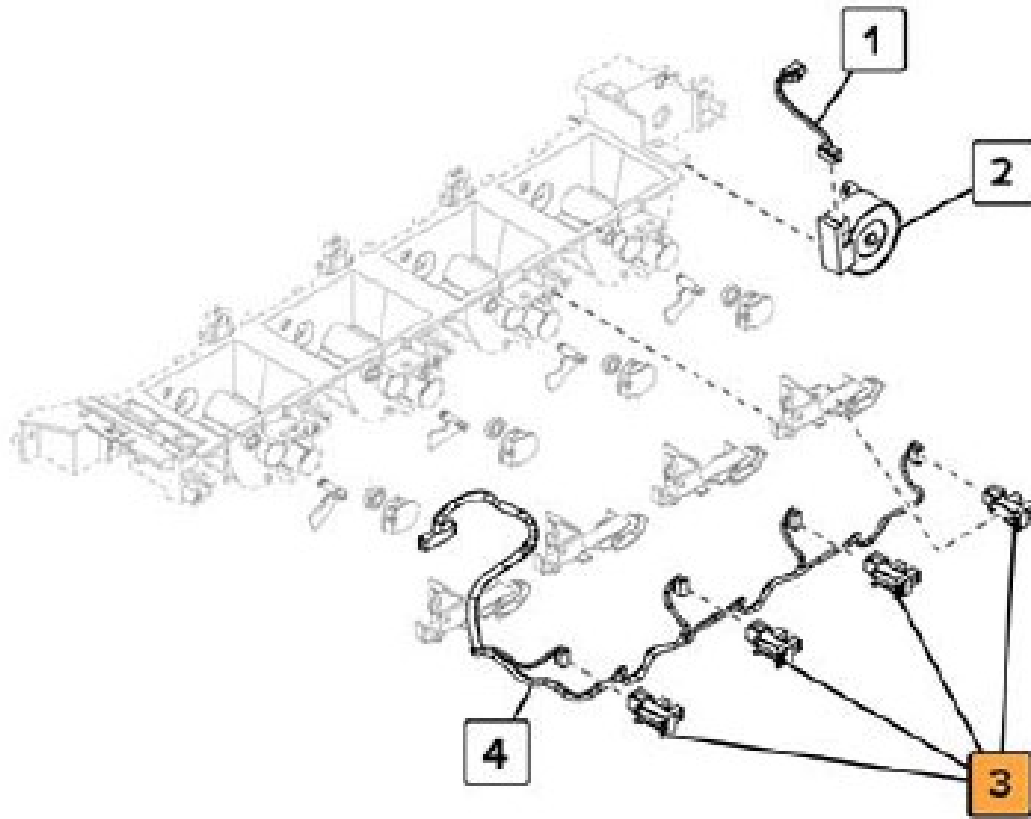


Index	Description
4	Sensor (tray 1 near empty)
5	Sensor (tray 1 paper width)
8	Sensor (tray 2 near empty)
9	Sensor (tray 2 paper width)
11	Sensor (tray 2 paper length)
12	Sensor (tray 1 paper length)

**CS92x and CX92x Series
Location**

Sensors

Toner Supply

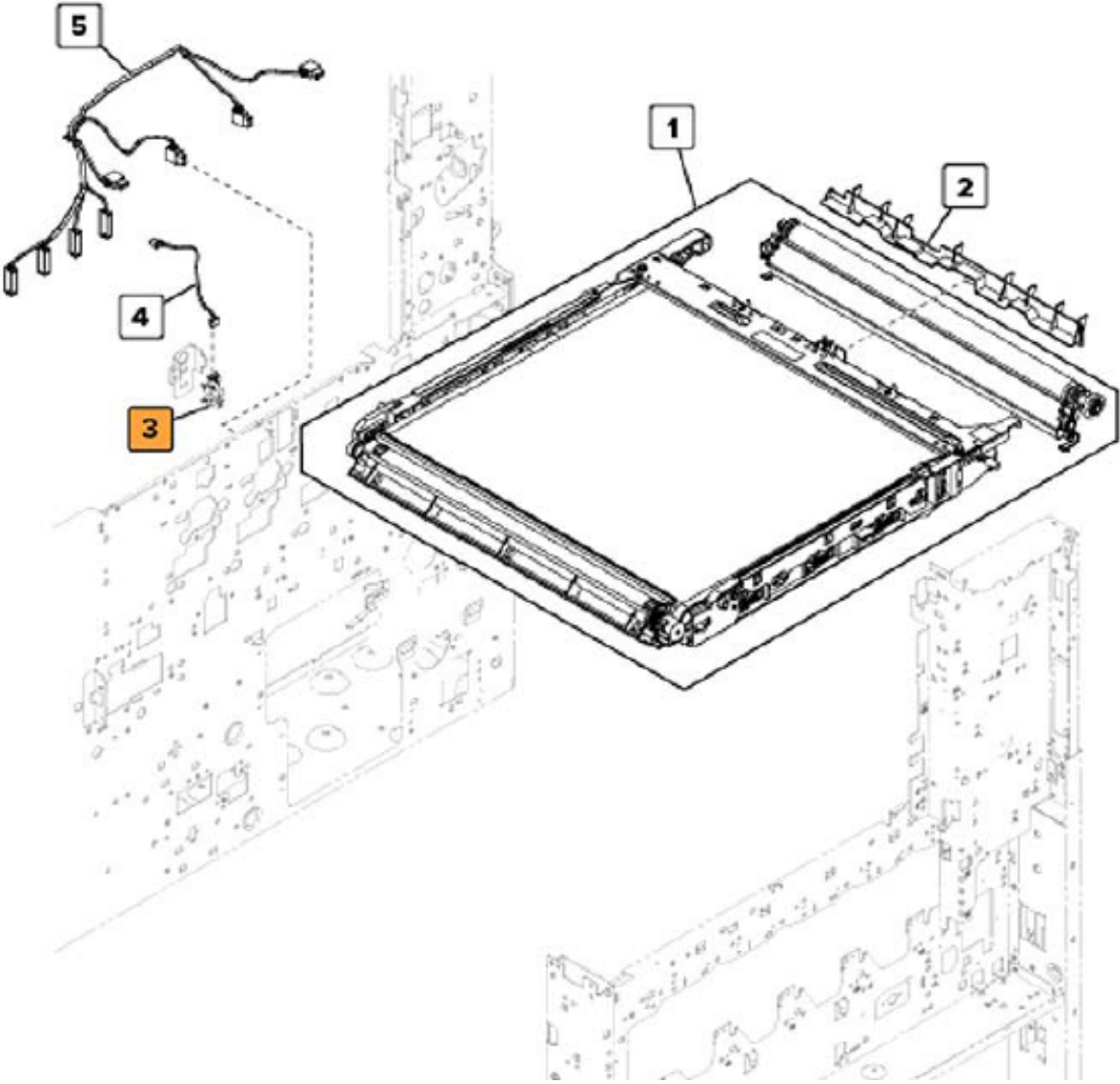


Index	Description
3	Sensor (toner empty)

**CS92x and CX92x Series
Location**

Sensors

Transfer belt

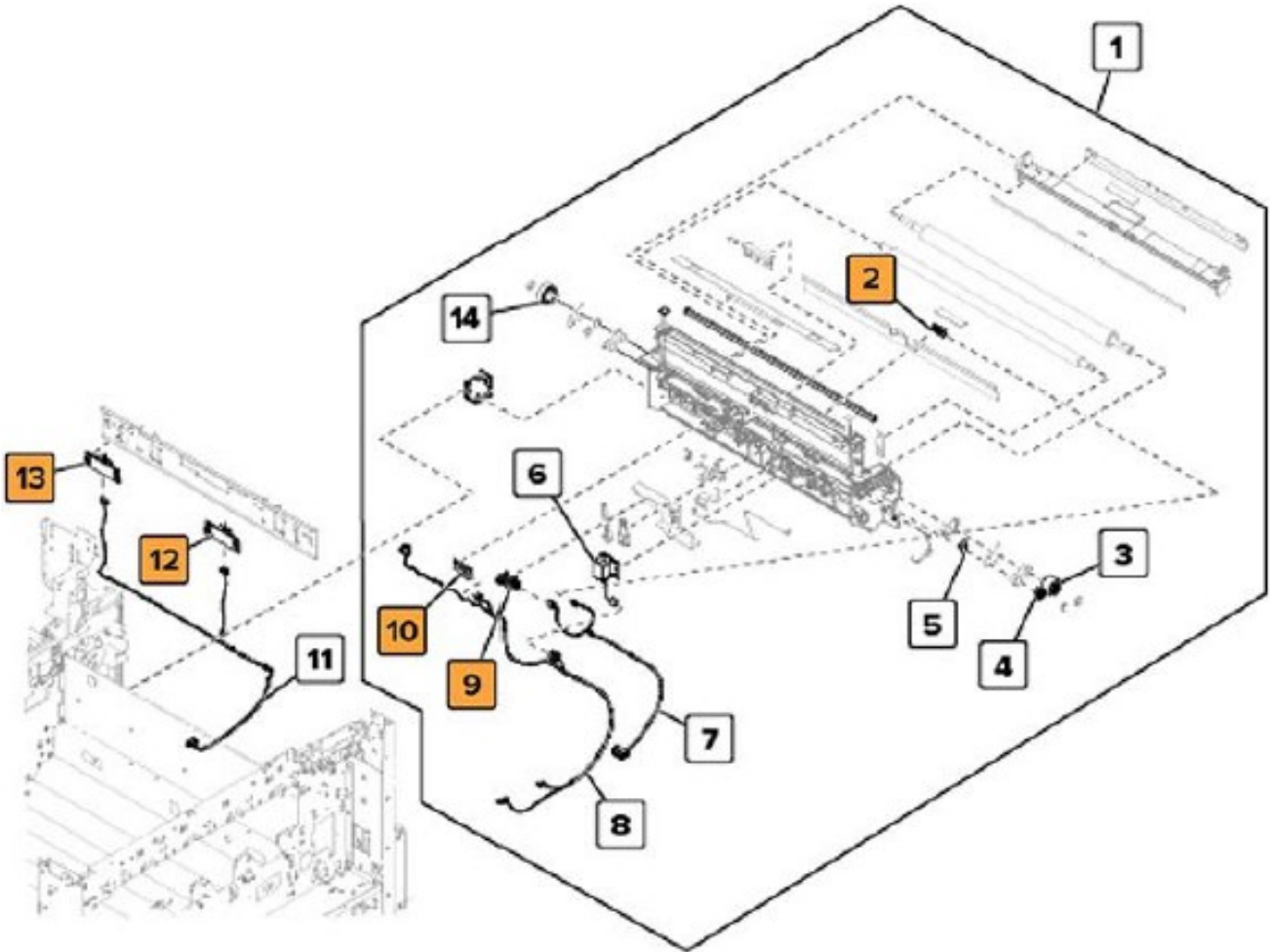


Index	Description
3	Sensor (CMY retract)

CS92x and CX92x Series
Location

Sensors

Registration Transport

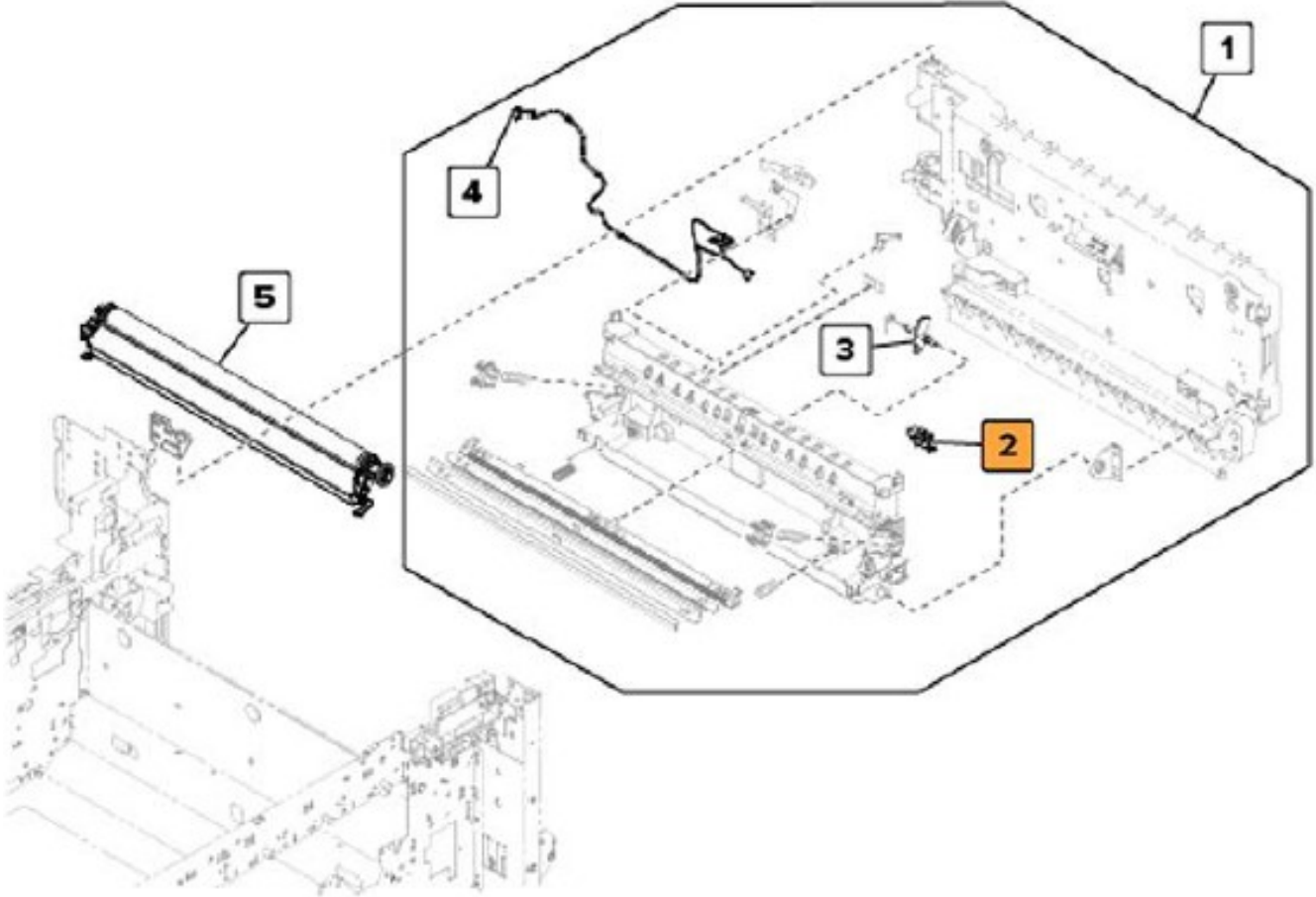


Index	Description
2	Sensor (registration 2)
9	Sensor (registration)
10	Sensor (registration humidity)
12	Sensor (front toner density)
13	Sensor (rear toner density)

**CS92x and CX92x Series
Location**

Sensors

Transfer

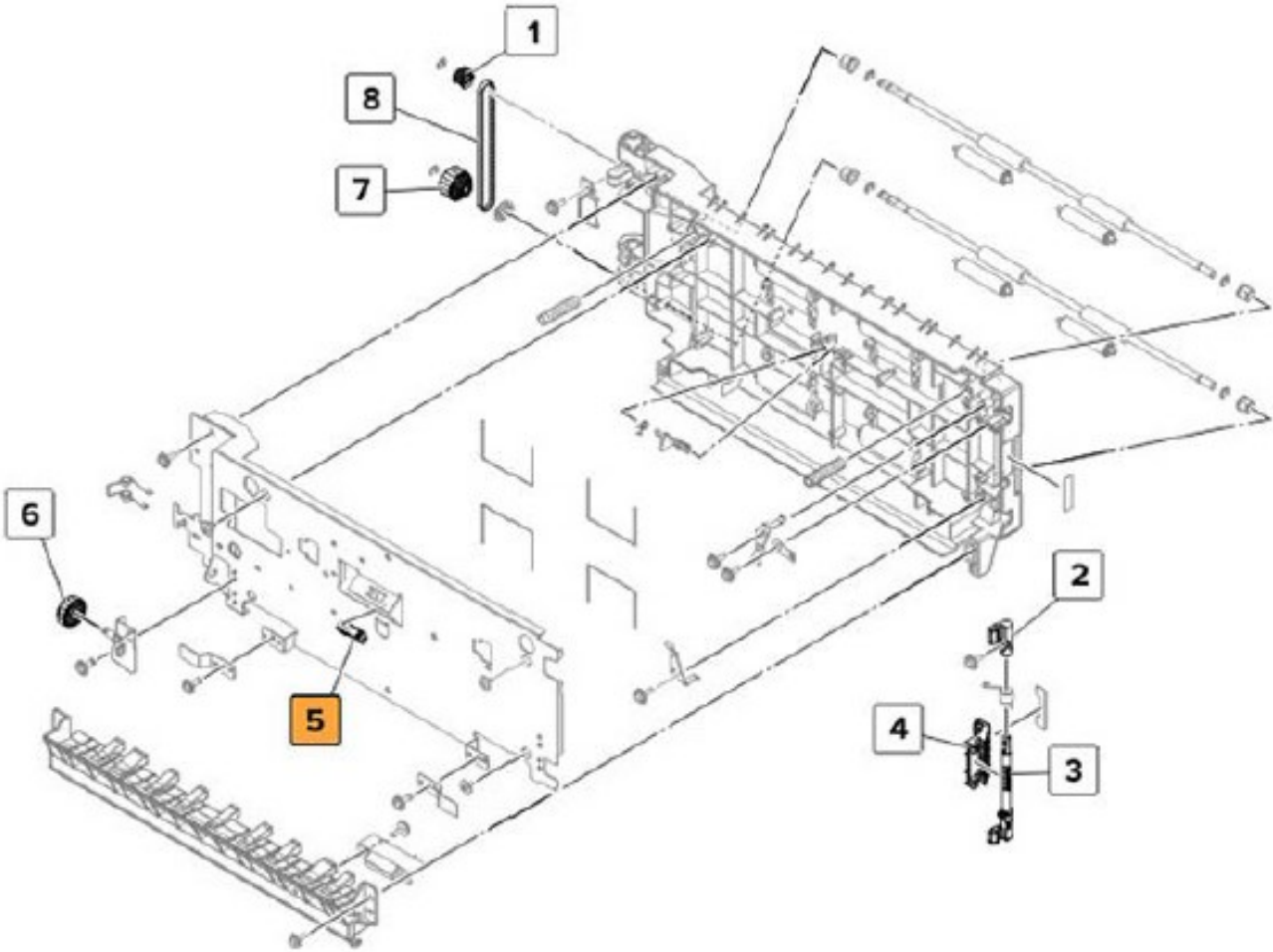


Index	Description
2	Sensor (fusing speed)

**CS92x and CX92x Series
Location**

Sensors

Registration Unit

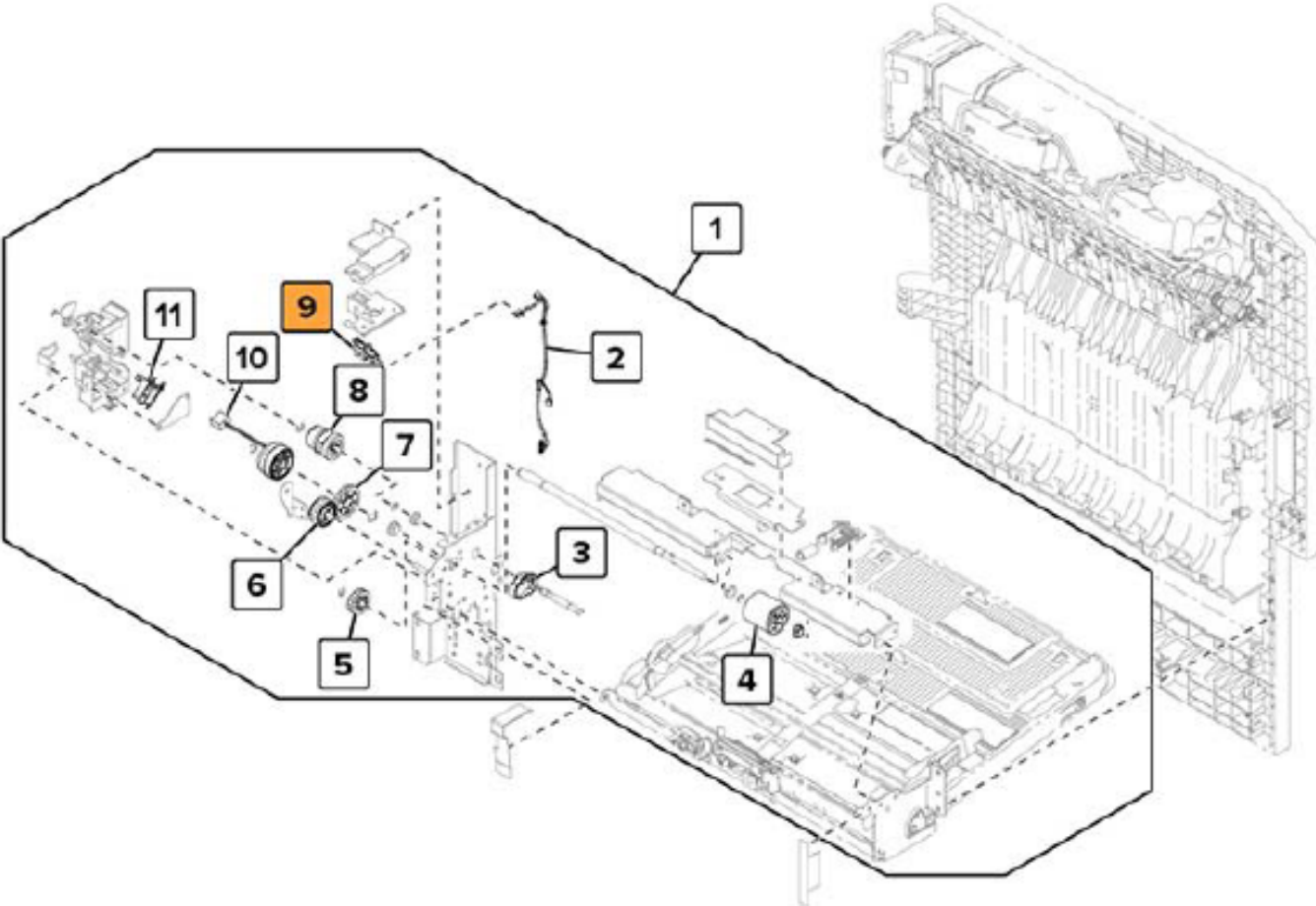


Index	Description
5	Sensor (duplex pass through 2)

**CS92x and CX92x Series
Location**

Sensors

MPF 1

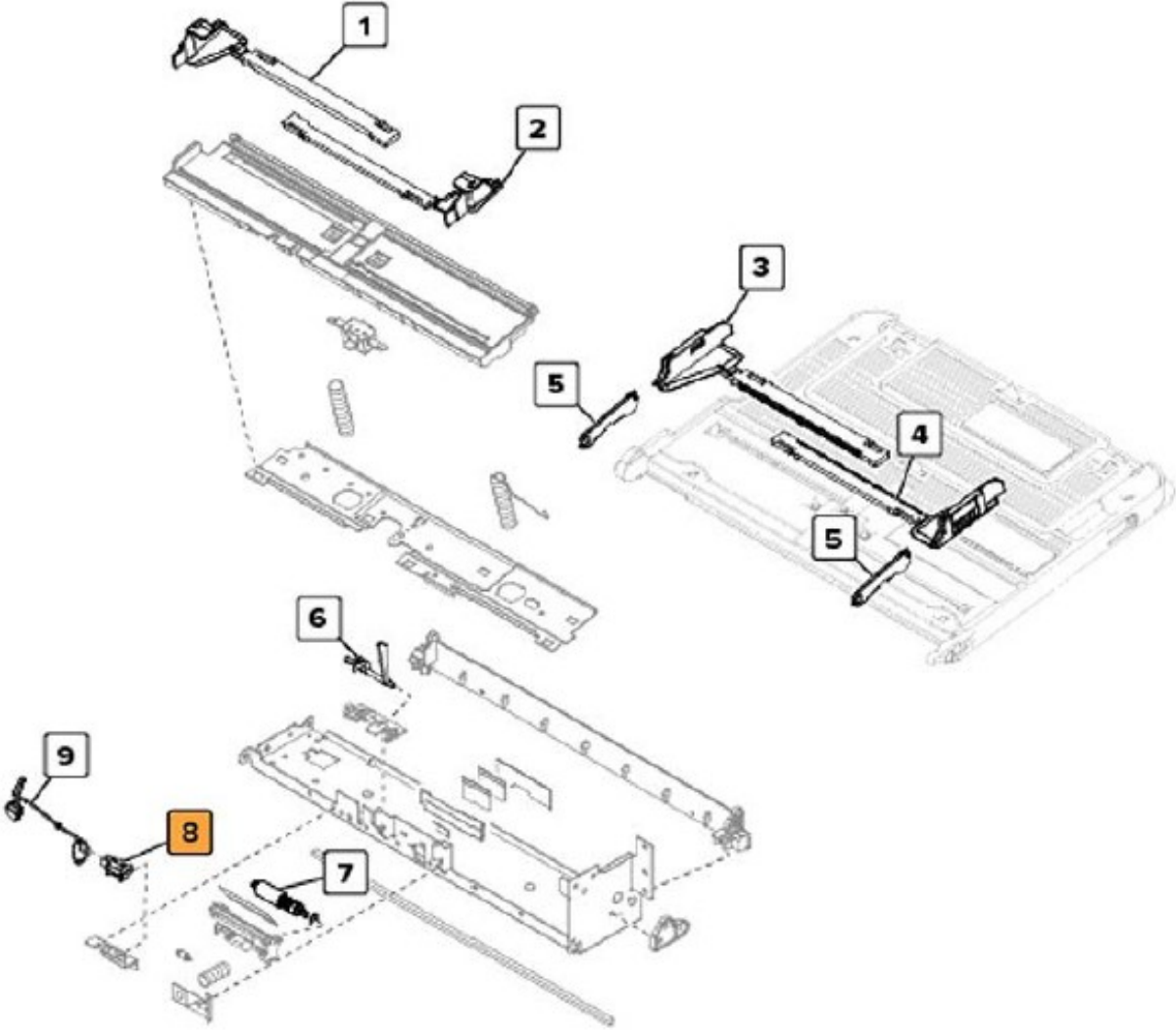


Index	Description
9	Sensor (MPF lift plate)

CS92x and CX92x Series
Location

Sensors

MPF 2

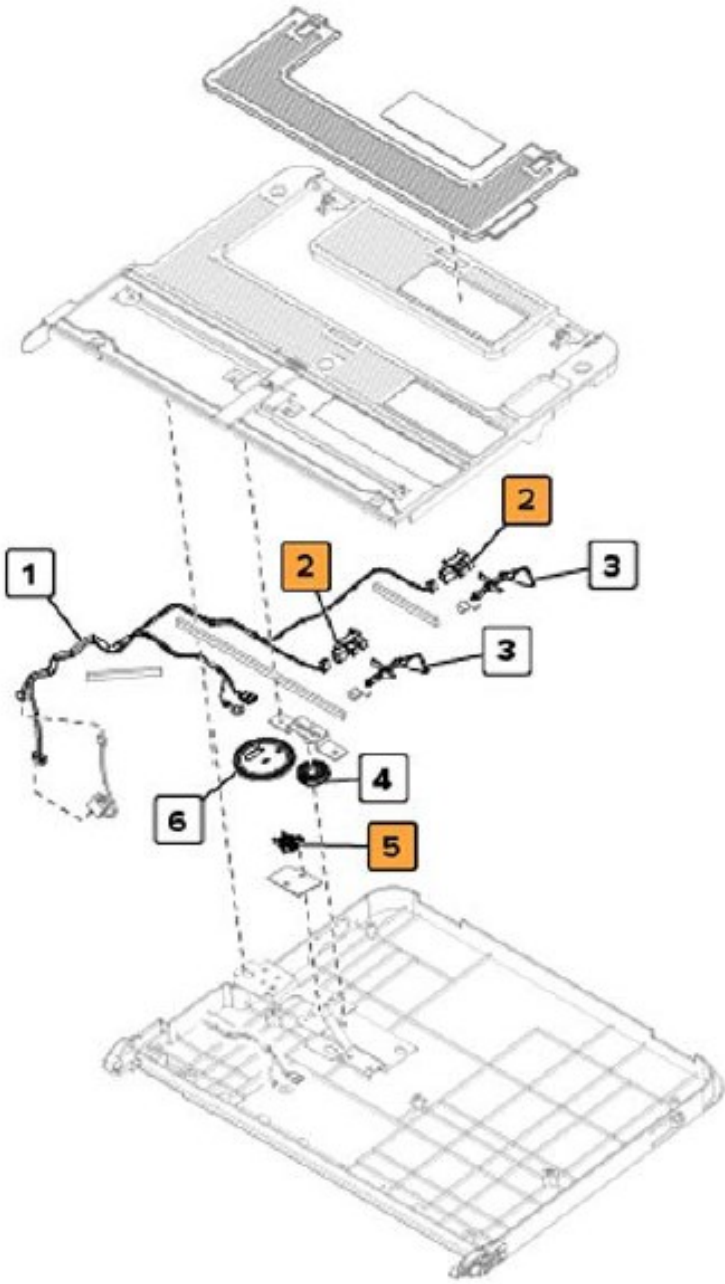


Index	Description
8	Sensor (MPF paper present)

**CS92x and CX92x Series
Location**

Sensors

MPF 3

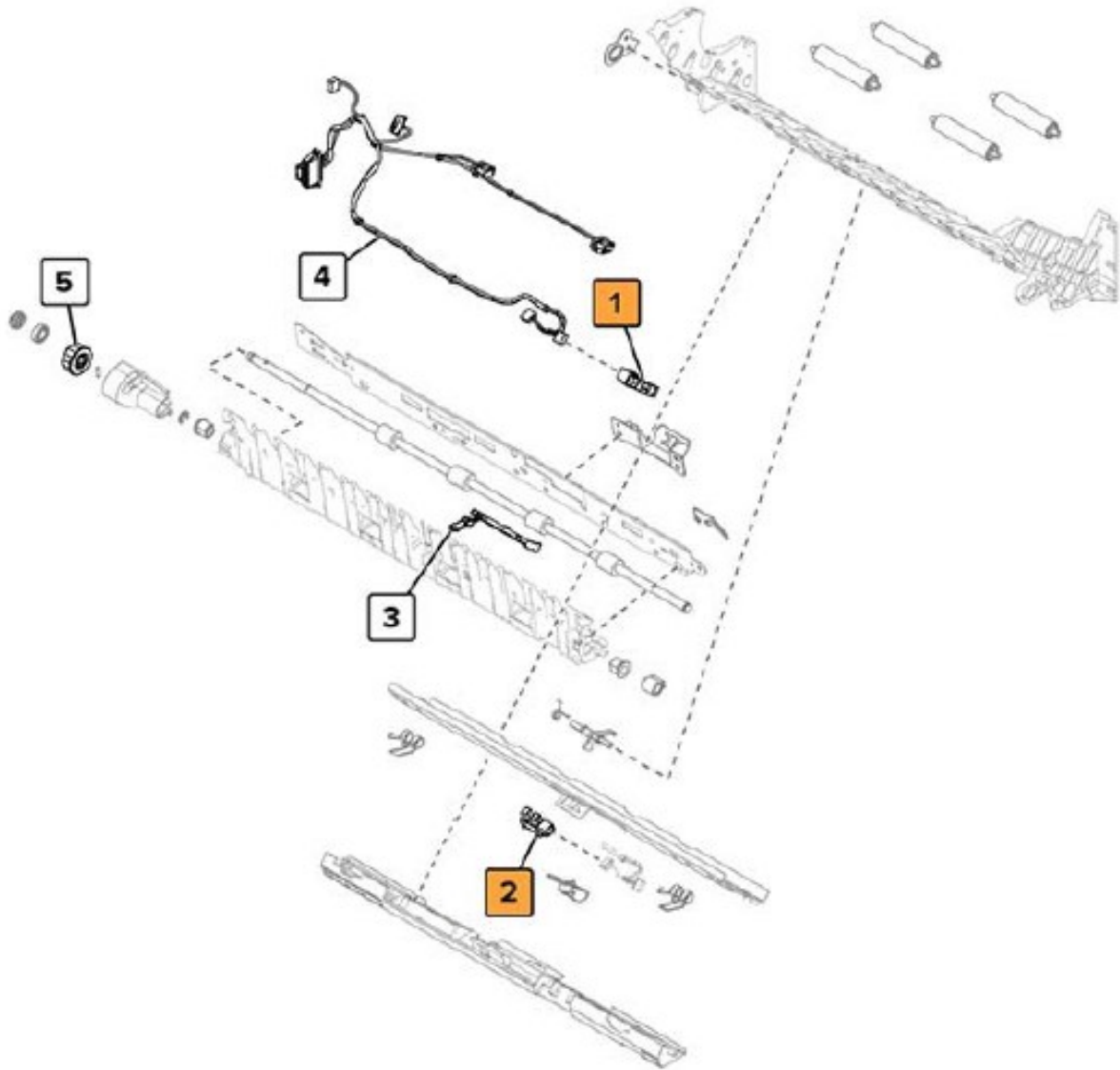


Index	Description
2	Sensors (MPF paper length)
5	Sensor (MPF paper width)

**CS92x and CX92x Series
Location**

Sensors

Duplex 2

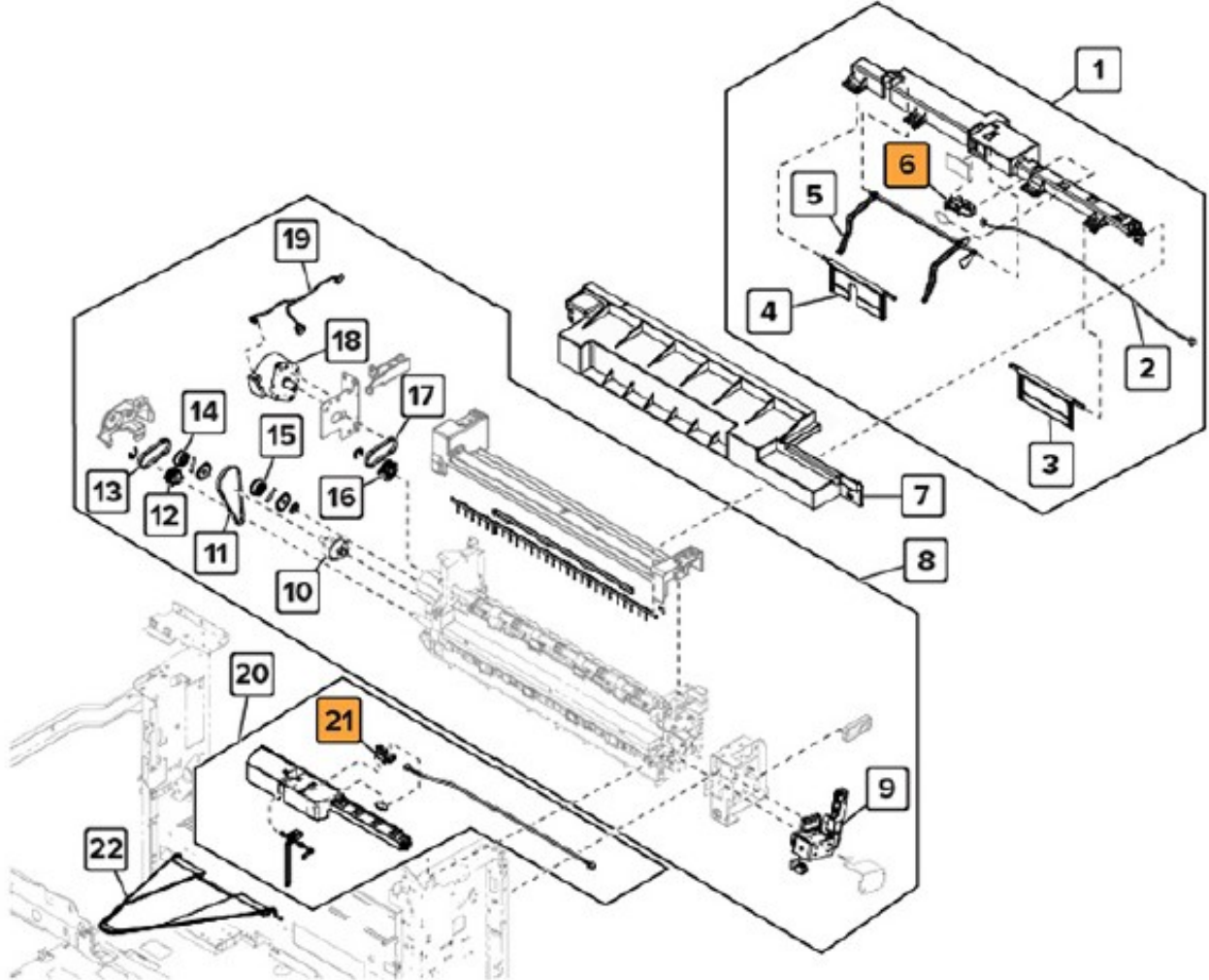


Index	Description
1	Sensor (fuser exit)
2	Sensor (duplex pass through 1)

CS92x and CX92x Series
Location

Sensors

Exit

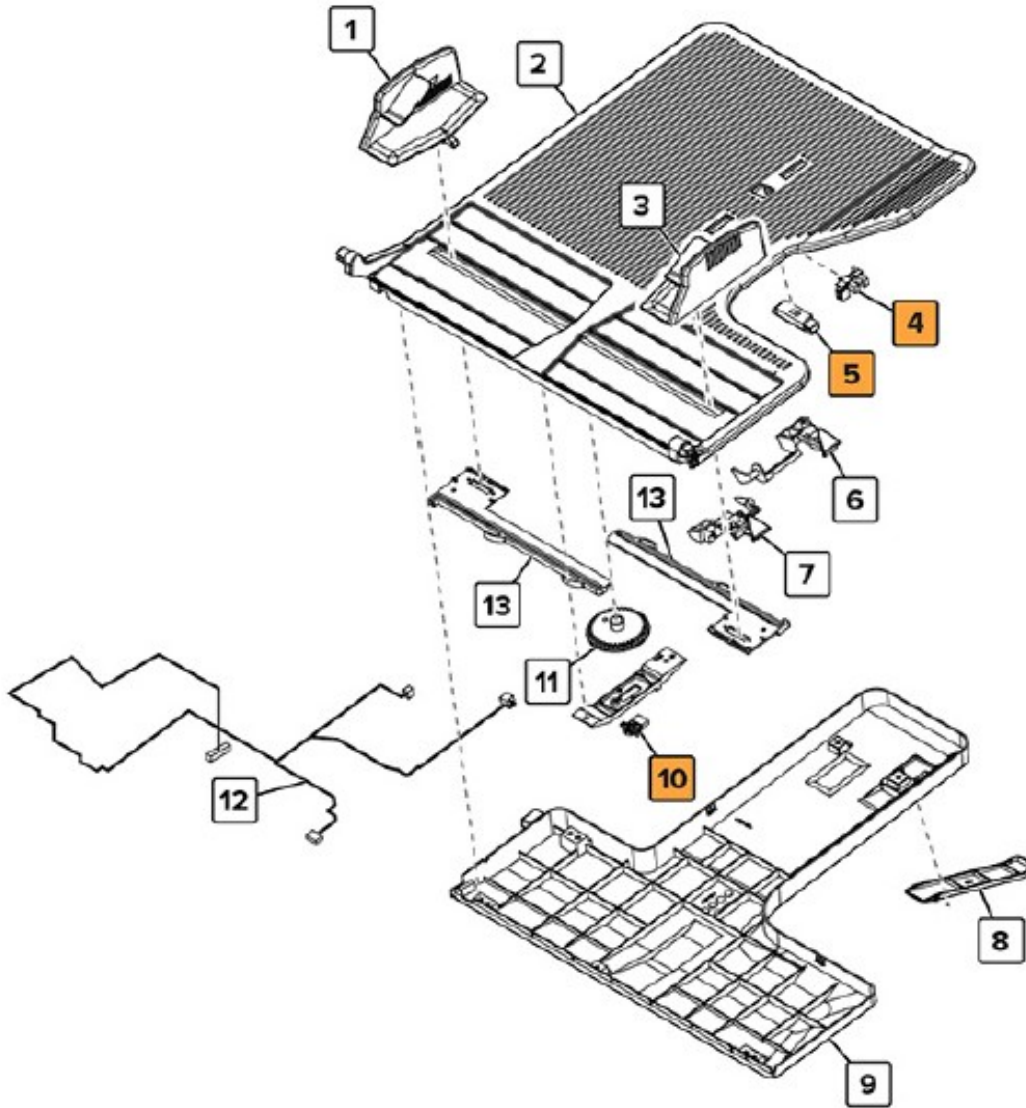


Index	Description
6	Sensor (redrive exit)
21	Sensor (standard bin exit)

**CS92x and CX92x Series
Location**

Sensors

ADF Paper Feed

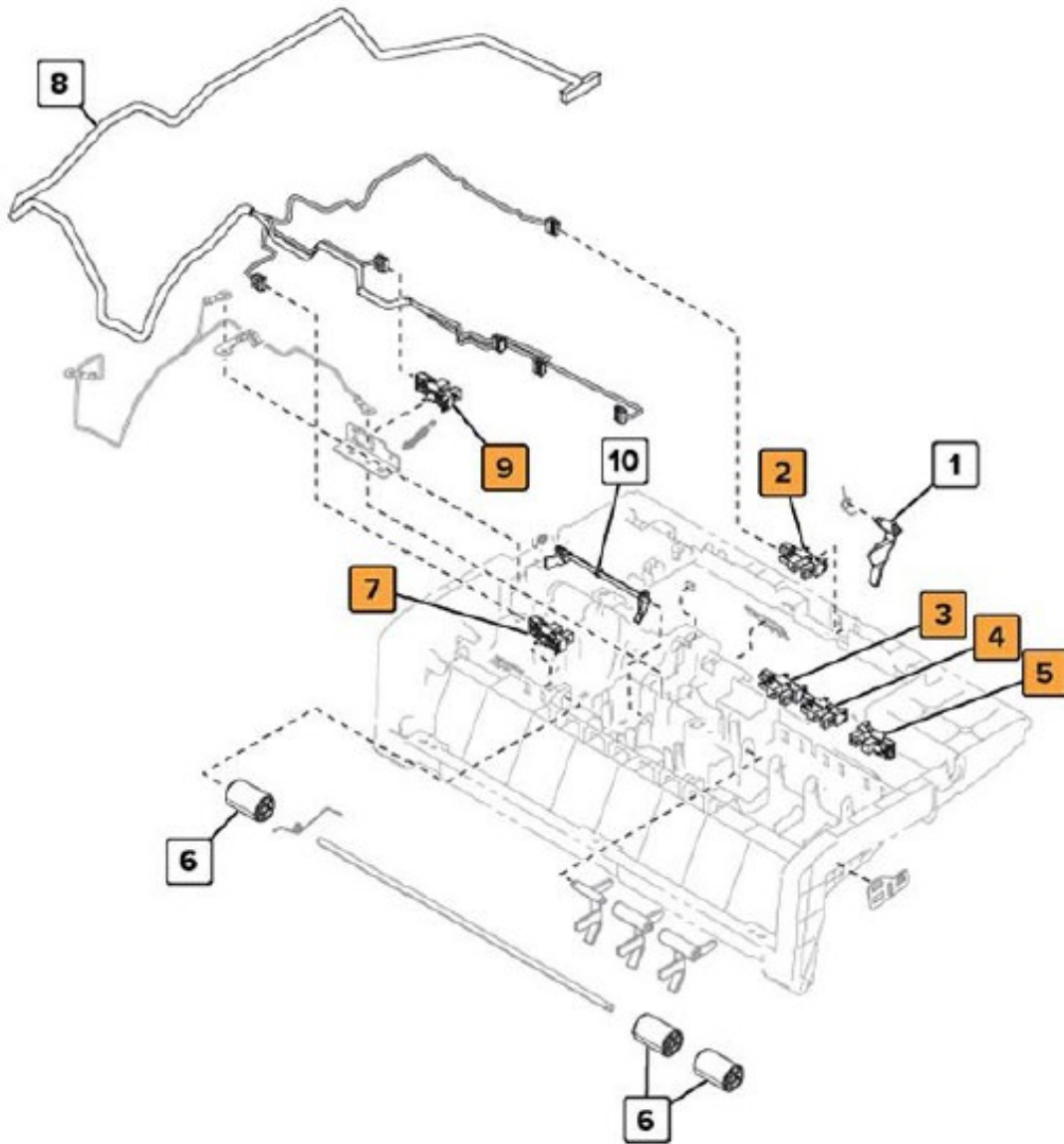


Index	Description
4	Sensor (ADF paper length 2)
5	Sensor (ADF paper length 1)
10	Sensor (ADF paper width)

**CS92x and CX92x Series
Location**

Sensors

ADF Paper Pick 2

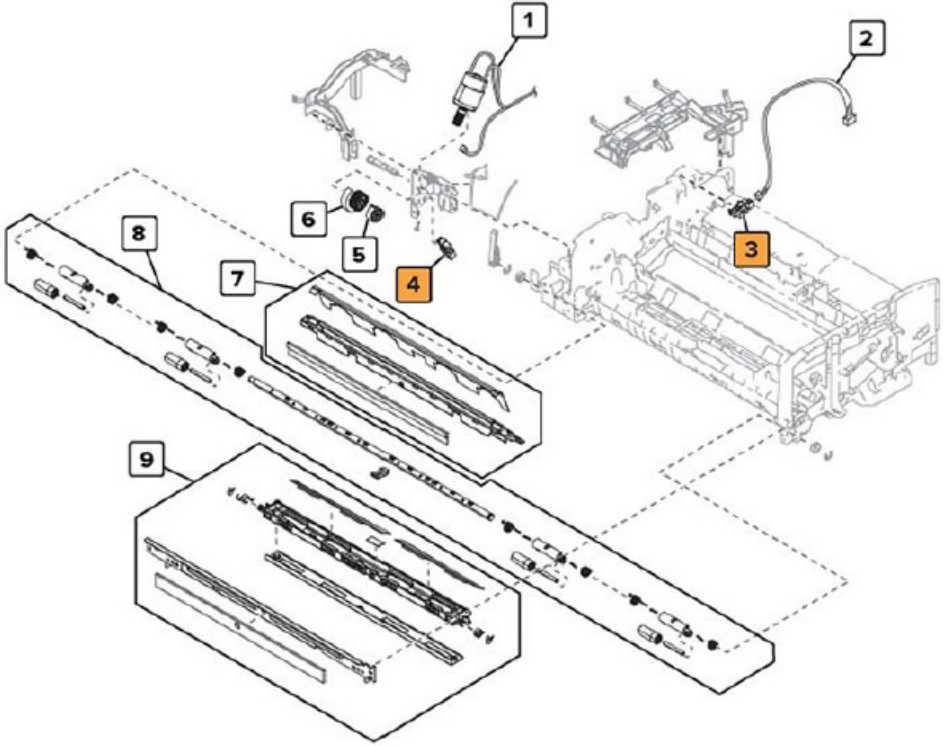


Index	Description
2	Sensor (ADF tray empty)
3	Sensor (ADF mixed paper width 1)
4	Sensor (ADF mixed paper width 2)
5	Sensor (ADF mixed paper width 3)
7	Sensor (ADF registration)
9	Sensor (ADF document separation)

**CS92x and CX92x Series
Location**

Sensors

ADF Paper Transport 4

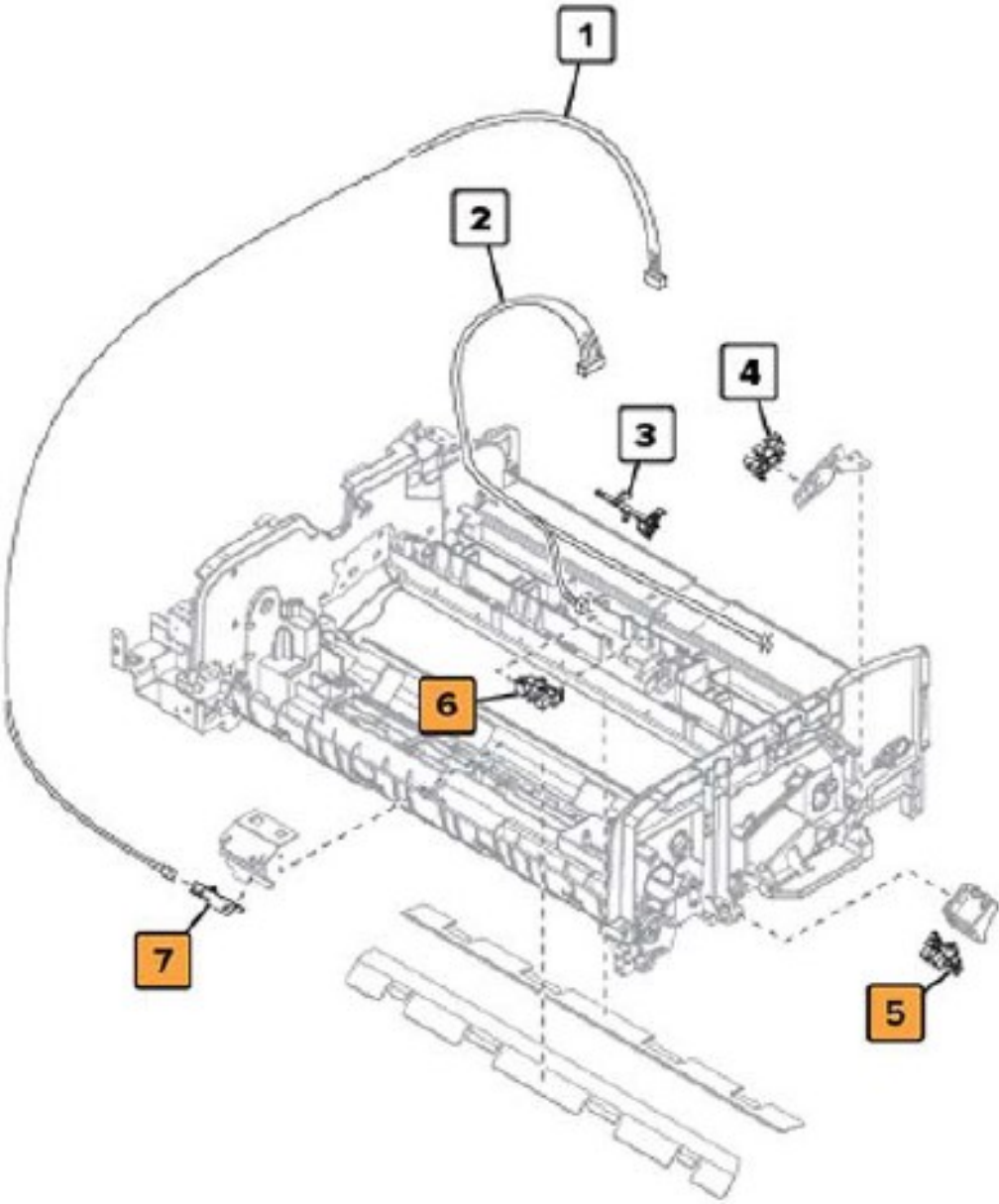


Index	Description
3	Sensor (ADF top cover open)
4	Sensor (ADF scan shaft home)

**CS92x and CX92x Series
Location**

Sensors

ADF Paper Transport 5

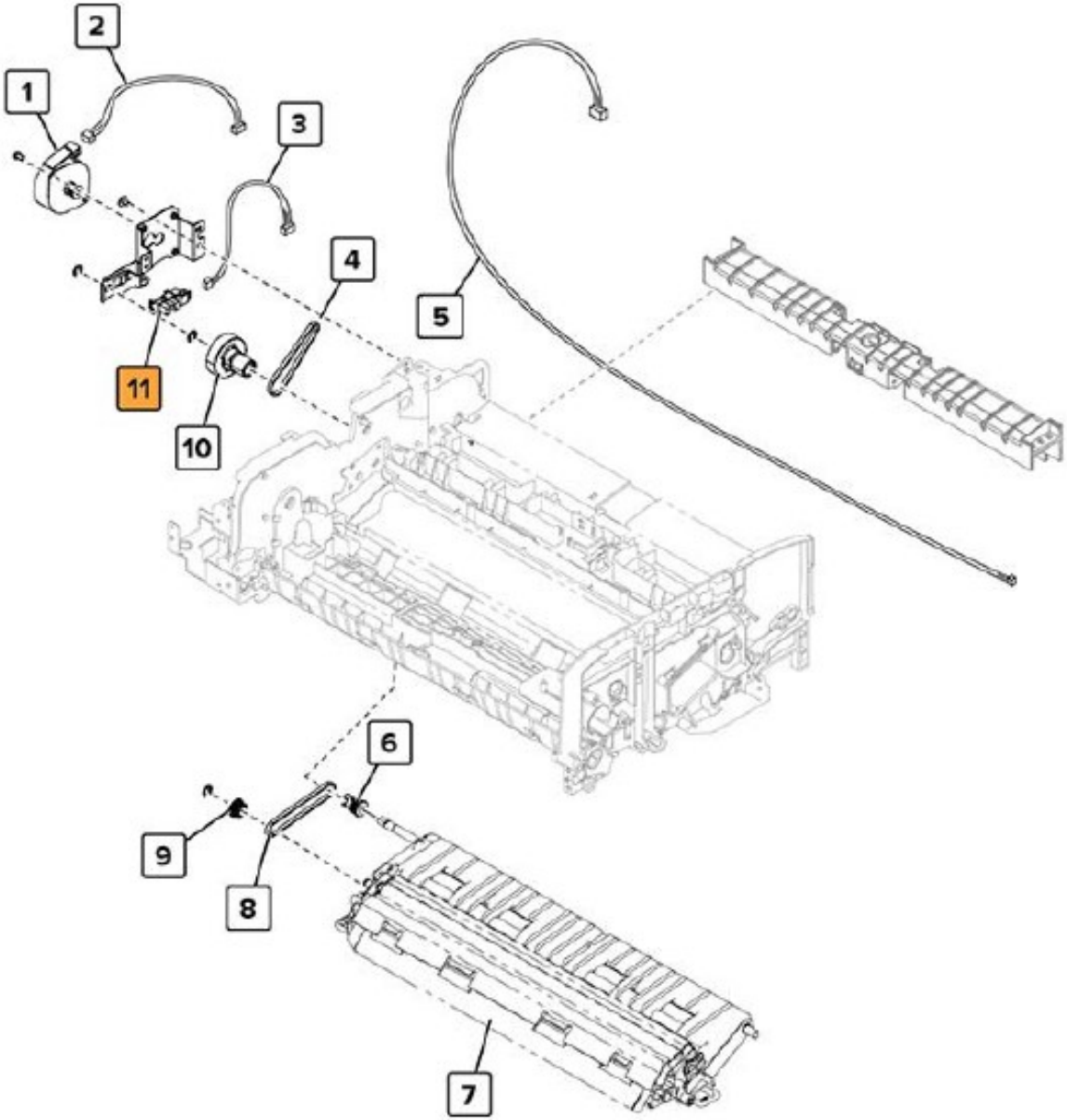


Index	Description
5	Sensor (scan glass clean)
6	Sensor (ADF exit)
7	Sensor (ADF scan)

**CS92x and CX92x Series
Location**

Sensors

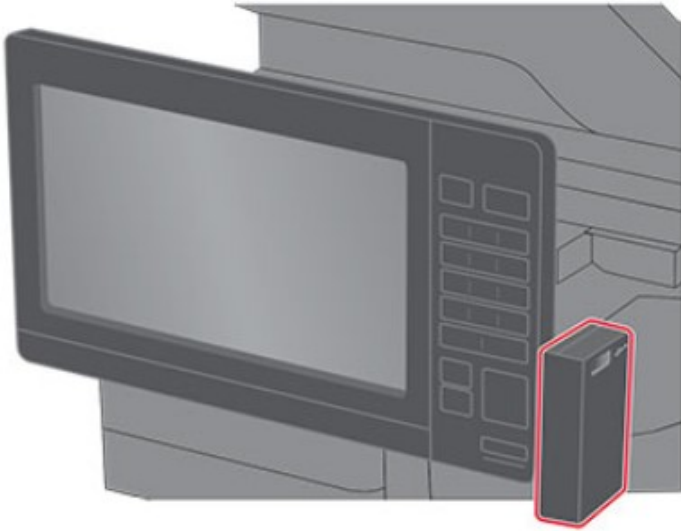
ADF CIS 3



Index	Description
11	Sensor (ADF CIS clean)

CS92x and CX92x Series Location

External Card Options



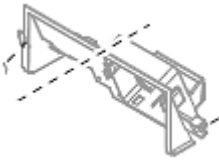
Authentication card readers¹



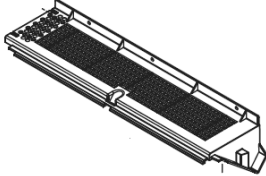
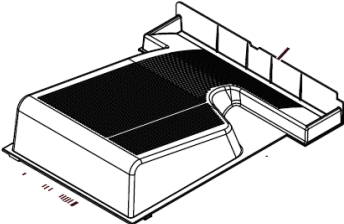
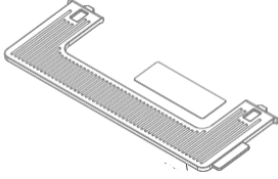
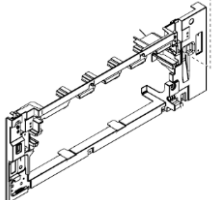
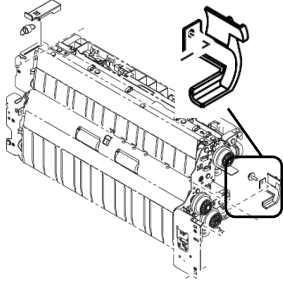
Keyboard¹

Note 1: Illustration shows actual options and their typical locations and mounting at the front side of the printer. However, this does not show the actual printer model.

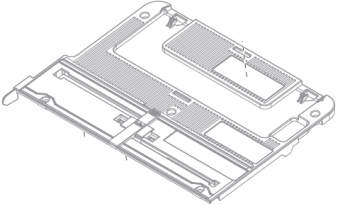

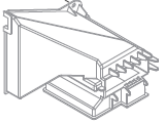
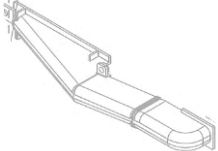
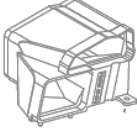
Annex A – Printer components containing brominated flame retardants (Page 1 of 3)

Index	Description	Parts Marking	Location
1	Transfer belt fan	N/A	Printhead
2	Sensor (fuser temperature, front)	N/A	Fuser 1
3	Sensor (fuser temperature, rear)	N/A	Fuser 1
4	Paper exit fan	N/A	Fuser 2
5	Toner cartridge cooling fan	N/A	Fuser 2
6	Fuser power supply fan	N/A	High Voltage 1
7	Sensor (tray 1 and tray 2 paper temperature)	N/A	High Voltage 1
	Sensor (tray 1 and tray 2 paper temperature)	N/A	High Voltage 2
8	Main power supply fan	N/A	Main power supply 1
	Main power supply fan	N/A	Main power supply 2
9	Controller board fan	N/A	Electrical
10	Sensor (scanner cover switch)	N/A	
11	Sensor (scanner paper length 2)	N/A	
12	Sensor (scanner paper length 1)	N/A	ADF Flatbed Scanner 1
13	Sensor (scanner lamp home)	N/A	
14	Sensor (scanner cover open)	N/A	
15	Housing	PS-HI FR(17)	Transfer (index 5)
16	Rail	ABS-GF20 FR(17)	Frame
17	Duct	PS-HI FR(17)	Printhead (index 1)
18	Duct	PS-HI FR(17)	Fuser 2 (index 4)
	Cooling Duct		
19		ABS FR(16)	Inner covers
20	Cover /Front		Inner covers
21	Collection Box	PS-HI FR(17)	Waste toner bottle
22	Developing Cover	ABS-GF20 FR(17)	Developer unit
23	Scattering prevention Plate	ABS FR(16)	No artwork

Annex A – Printer components containing brominated flame retardants (Page 2 of 3)

Index	Description	Parts Marking	Location
24	Holder	PS-HI FR(17)	Exit (index1)
25	Cover /Upper 	PS-HI FR(17)	Duplex module
26	Tray 	PS-HI FR(17)	Covers (top)
27	Holder	PS-HI FR(17)	Covers 1&2 (index 5)
28	Auxiliary Tray 	PS-HI FR(17)	MPF3
29	Holder	PS-HI FR(17)	Exit (index 20)
30	Cover /Front 	PS-HI FR(17)	Inner covers
31	Cover 	PS-HI FR(17)	Tray 1 and 2 transport (No artwork)

Annex A - Printer components containing brominated flame retardants (Page 3 of 3)

Index	Description	Parts Marking	Location
32	Bypass Tray /Upper 	PS-HI FR(17)	MPF3 , see page 44
33	Duct /2 	PS-HI FR(17)	High voltage 2, see page 13
34	Duct /1 	PS-HI FR(17)	Toner filter
35	Duct 	PS-HI FR(17)	Fuser 1
36	Duct 	PS-HI FR(17)	Fuser exhaust fan

Annex B - Paper handling options components containing brominated flame retardants

Index	Description	Quantity	Location
1	Sensor	6	2 x 500 Sheet tray – Paper size detection
2	Sensor	1	2 x 500 Sheet tray – Paper pick 1
3	Sensor	4	2 x 500 Sheet tray – Paper pick 2
4	Sensor	1	2500 Sheet tray - Frame
5	Sensor	1	2500 Sheet tray - Paper Pick 1
6	Sensor	4	2500 Sheet tray - Paper Pick 2
7	Sensor	3	2500 Sheet tray - Paper Pick 2
8	Sensor	4	2500 Sheet tray – Tray insert 4
9	Sensor	2	3000 Sheet tray – Paper feed 2
10	Sensor	2	3000 Sheet tray – Paper transport
11	Sensor	2	3000 Sheet tray – Drive section
12	Sensor	3	Tray 1 feed
13	Sensor	4	Tray 2 feed
14	Sensor	6	Tray paper detection
15	Sensor	1	Toner Supply
16	Sensor	1	Transfer belt
17	Sensor	5	Registration Transport
18	Sensor	1	Transfer
19	Sensor	1	Registration Unit
20	Sensor	1	MPF 1
21	Sensor	1	MPF 2
22	Sensor	2	MPF 3
23	Sensor	2	Duplex 2
24	Sensor	2	Exit
25	Sensor	3	ADF Paper Feed
26	Sensor	6	ADF Paper Pick 2
27	Sensor	2	ADF Paper Transport 4
28	Sensor	3	ADF Paper Transport 5
29	Sensor	1	ADF CIS 3

Annex C – Printed Circuit Boards >10cm²

Index	Description	Location	CS921/ C935/ CS927	CS923	CX920/ CX921/ XC9225/ XC9235/ CX927	CX922/ CX923/ CX924/ XC9245/ XC9255/ XC9265
1	10in. Op panel	Op panel			X	X
	4.3in Op panel		X	X	X	X
2	Power supply interface board	Covers 1	X	X		
	Power supply interface board	Covers 2			X	X
3	Image controller board	Printhead	X	X	X	X
4	Printhead relay board		X	X	X	X
5	Board inside fuser assembly	Fuser 1		X		X
6	Induction heater power supply (120 V and 230 V)	High Voltage 1		X		X
7	Expansion controller board	High Voltage 2	X		X	
	Expansion controller board	High Voltage 1		X		X
8	Noise filter board (120 V and 230 V)		X		X	X
9	High voltage board		X		X	X
	High voltage board	High Voltage 2	X		X	
10	Induction heater magnetic erase board)	High Voltage 1		X		X
11	Main power supply (220 V and 120 V)	Main power supply 1		X		X
	Main power supply (220 V and 120 V)	Main power supply 2	X		X	
12	Engine board	Electrical	X	X	X	X
13	Controller board		X	X	X	X
14	ADF controller board	ADF Covers			X	X
15	Board inside ADF CIS assembly	ADF CIS 1			X	X
16	ADF CIS power supply board				X	X
17	Scanner controller board	ADF Flatbed Scanner 1			X	X
18	Scanner CCD lens assembly	ADF Flatbed Scanner 2			X	X

Annex D – Electrical and Electronic (EE) Customer Replaceable Paper Handling Devices

Index	PN	Description	Locations	Models
1	26Z0080 26Z0081	Hole Punch Finisher	Paper handling options	All
2	26Z0082 26Z0083	Hole Punch Booklet Finisher		
3	32C0050	2 x 500-Sheet Tray		
4	32C0051 32C0052	2500-Sheet Tray		
5	26Z0088 26Z0089	3000-Sheet Tray		

Annex E – Electrical and Electronic (EE) Customer Replaceable Internal/ External Card Options

Index	PN	Description	Locations	Models
1	57X9020 57X9801 27X0400	Memory options	Attached to Controller board	All
2	57X0085	Security card		
3	40C9200 40C9201 40C9202	Firmware cards		
4	57X9110 57X9112 57X9114 57X9115	Font cards		
5	14F0100 14F0000	Interface card		
6	27X0142 27X6510 27X0225	Internal Print Servers		
7	57X0300 57X0301	Authentication card readers	External options	
8	57X7050 57X7051 57X7053 57X7054	Keyboard		